



US00D346020S

United States Patent [19]

[11] Patent Number: **Des. 346,020**

Kellogg et al.

[45] Date of Patent: **** Apr. 12, 1994**

[54] **GAS INJECTION NOZZLE**

[75] Inventors: **Charles Kellogg**, Warrington; **Charles Schmidt**, Meadowbrook, both of Pa.

[73] Assignee: **Abar Ipsen Industries, Inc.**, Bensalem, Pa.

[**] Term: **14 Years**

[21] Appl. No.: **931**

[22] Filed: **Oct. 29, 1992**

[52] U.S. Cl. **D23/387**

[58] Field of Search 123/530, 531, 431, 442, 123/445, 522; 110/104 R, 101 R; 432/176; D15/1-5; D23/329, 386, 397, 393

| | | | |
|------------|---------|--------------------|---------|
| D. 289,680 | 5/1987 | Heob | D23/386 |
| D. 297,158 | 8/1988 | Marion et al. | D23/387 |
| 3,560,348 | 12/1985 | Moller et al. . | |
| 4,395,832 | 8/1983 | Jones et al. . | |
| 4,765,068 | 8/1988 | Ripley . | |
| 4,789,333 | 12/1988 | Hemsath | 432/176 |
| 4,906,182 | 1/1990 | Moller . | |

Primary Examiner—A. Hugo Word
Assistant Examiner—R. Seifert
Attorney, Agent, or Firm—Dann, Dorfman, Herrell and Skillman

[57] **CLAIM**

The ornamental design for a gas injection nozzle, as shown and described.

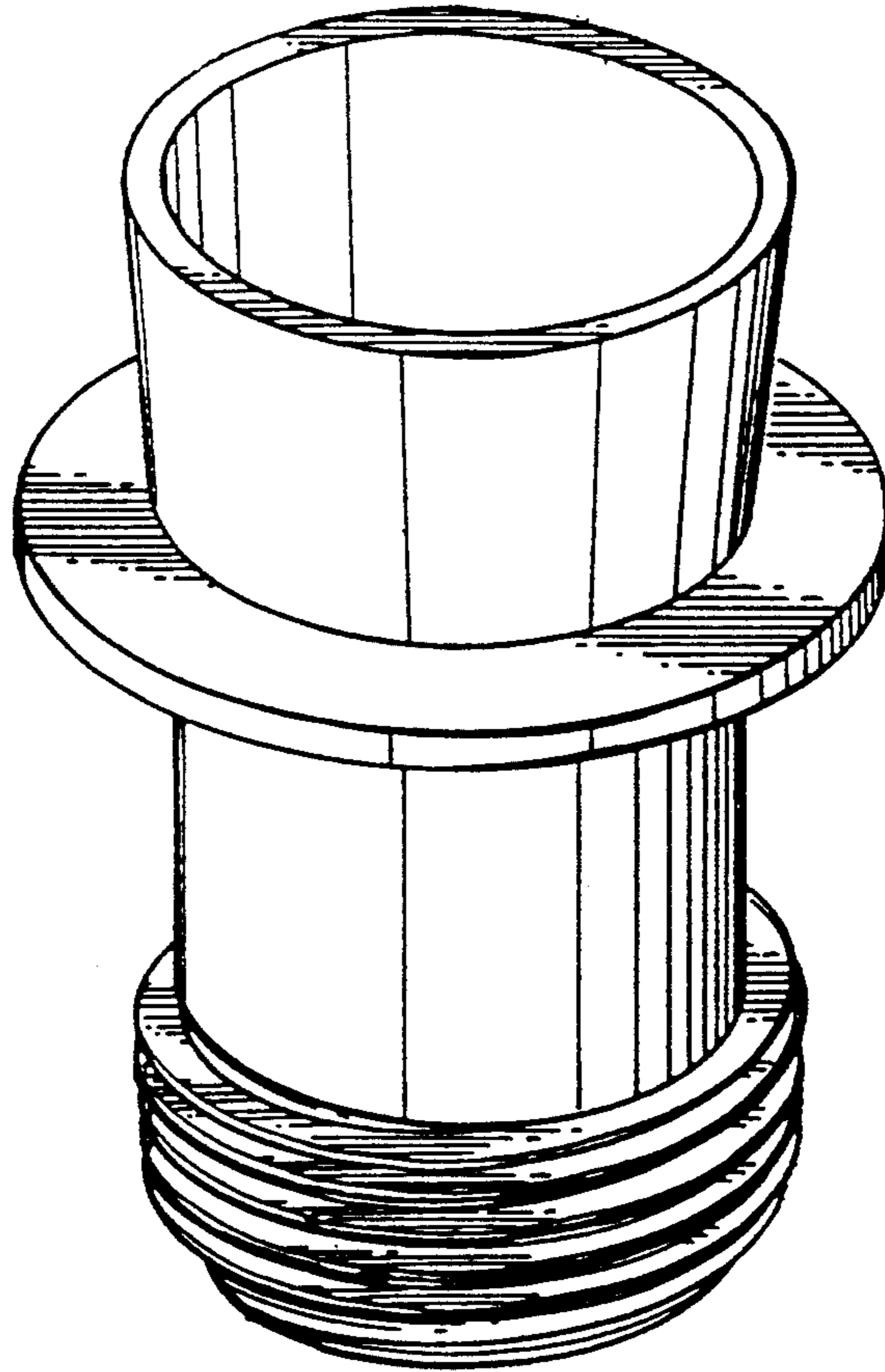
DESCRIPTION

FIG. 1 is a top, side, perspective view of a gas injection nozzle showing our new design; FIG. 2 is a first elevational view thereof; FIG. 3 is a second elevational view thereof; FIG. 4 is a top plan view thereof; and, FIG. 5 is a bottom plan view thereof. Except for the threaded portion, all other elevational views are the same as FIGS. 2 and 3.

[56] **References Cited**

U.S. PATENT DOCUMENTS

| | | | |
|------------|--------|-----------------------|---------|
| D. 15,391 | 9/1884 | Francy | D23/394 |
| D. 29,102 | 7/1898 | Walker | D23/394 |
| D. 239,388 | 3/1976 | Larkfeldt et al. | D23/387 |
| D. 239,389 | 3/1976 | Larkfeldt et al. | D23/387 |
| D. 264,375 | 5/1982 | Prikkel, III | D23/386 |
| D. 274,256 | 6/1984 | Lange et al. | D23/386 |



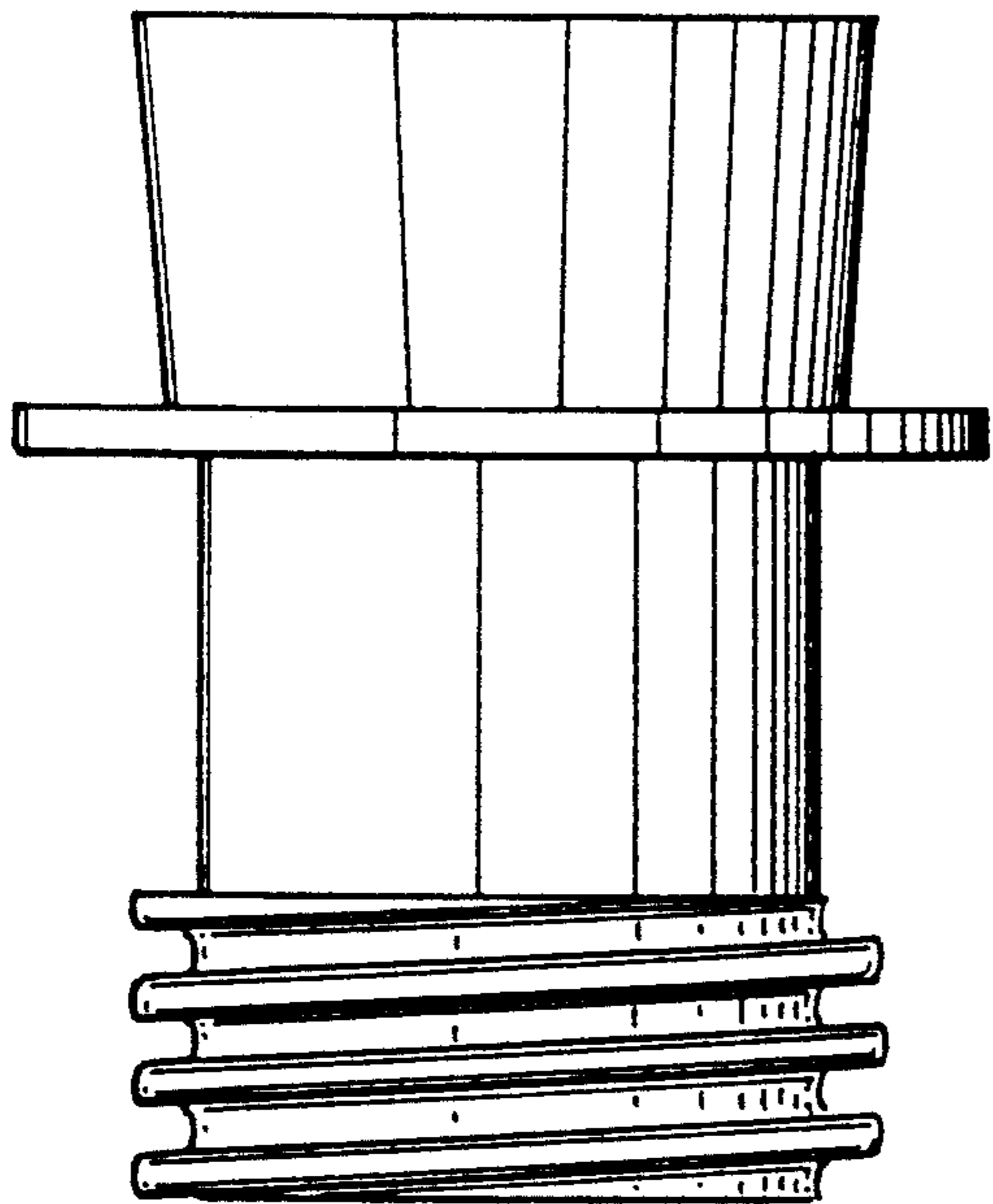


FIG. 2

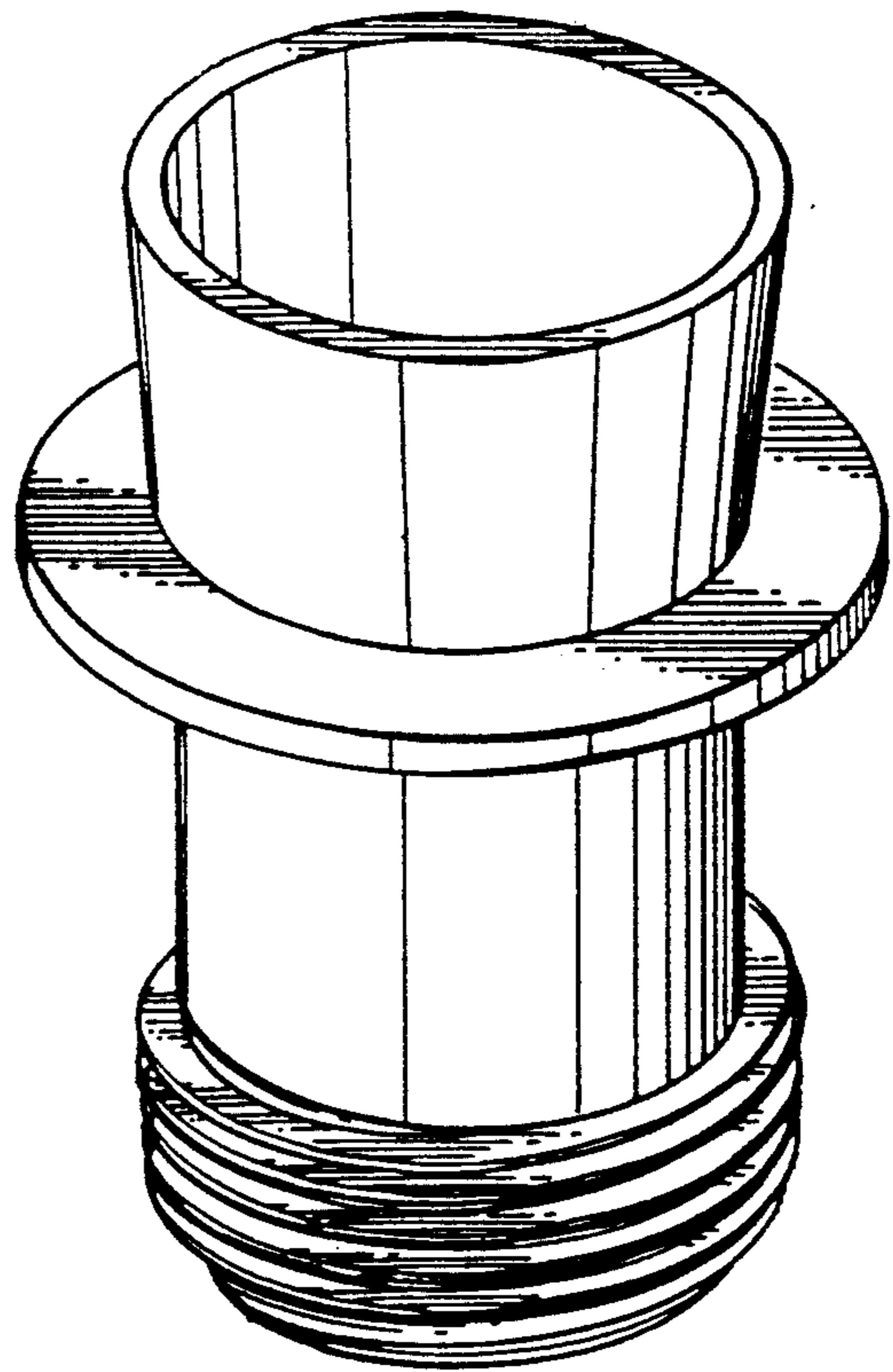


FIG. 1

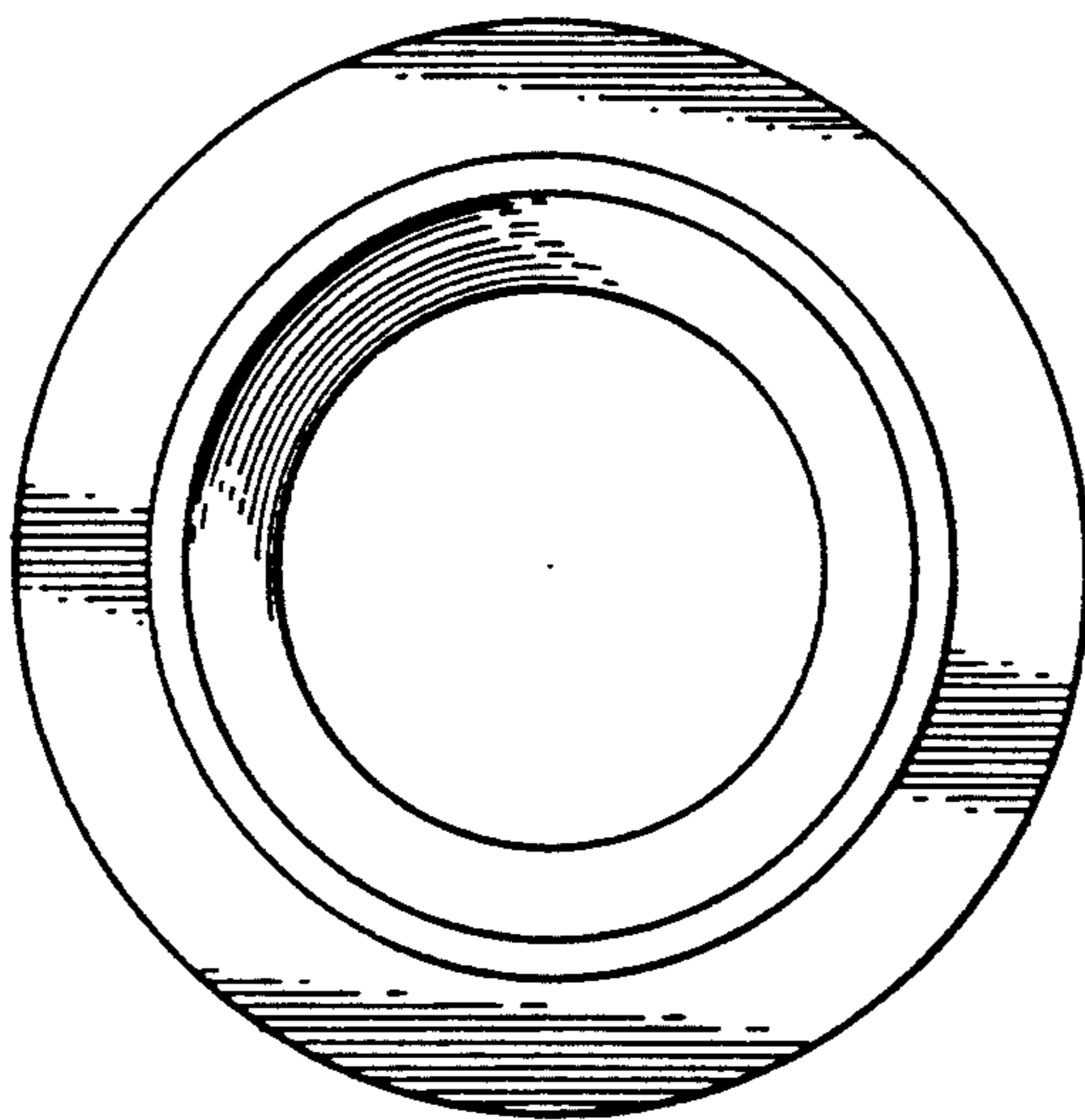


FIG. 4

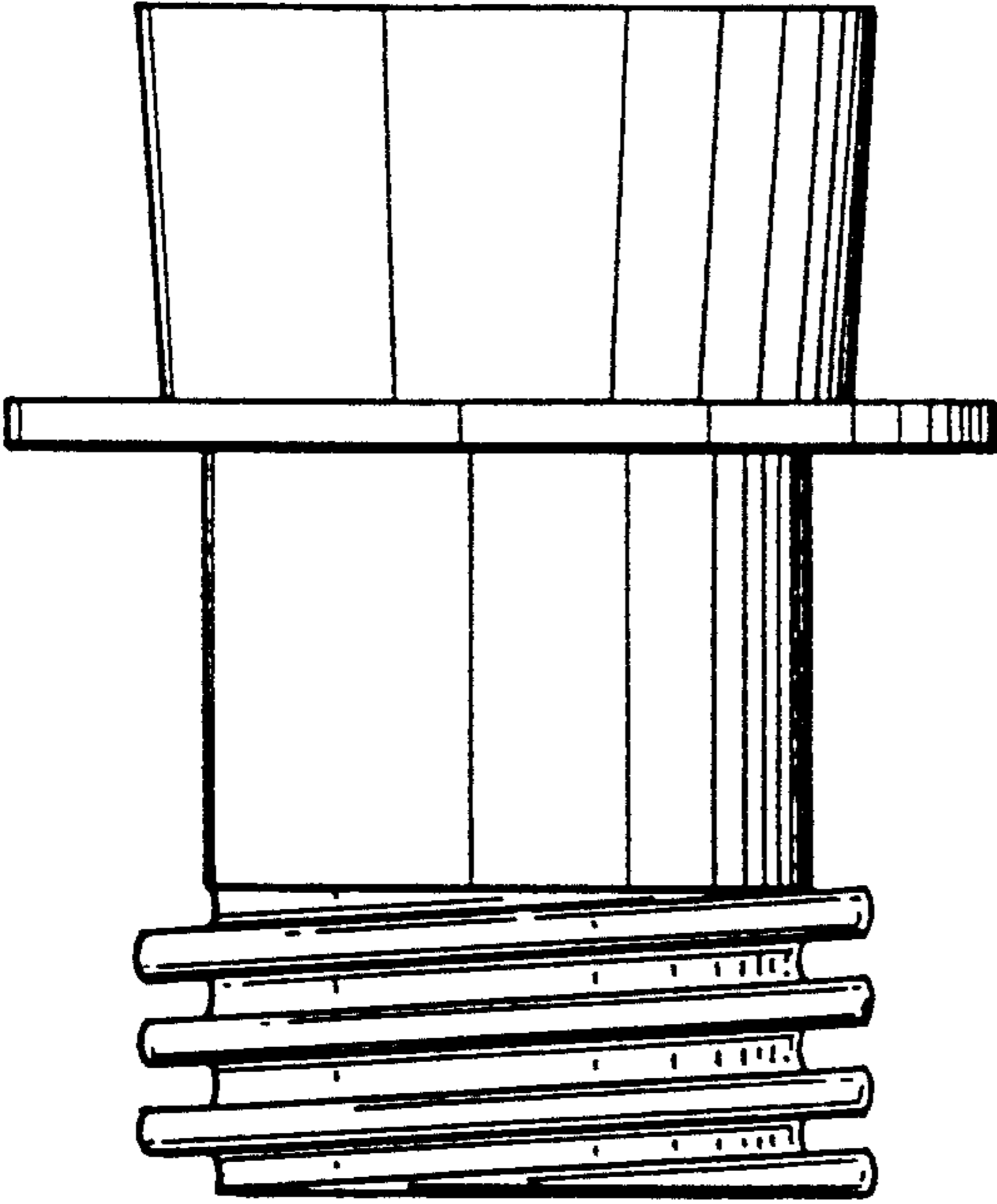


FIG. 3

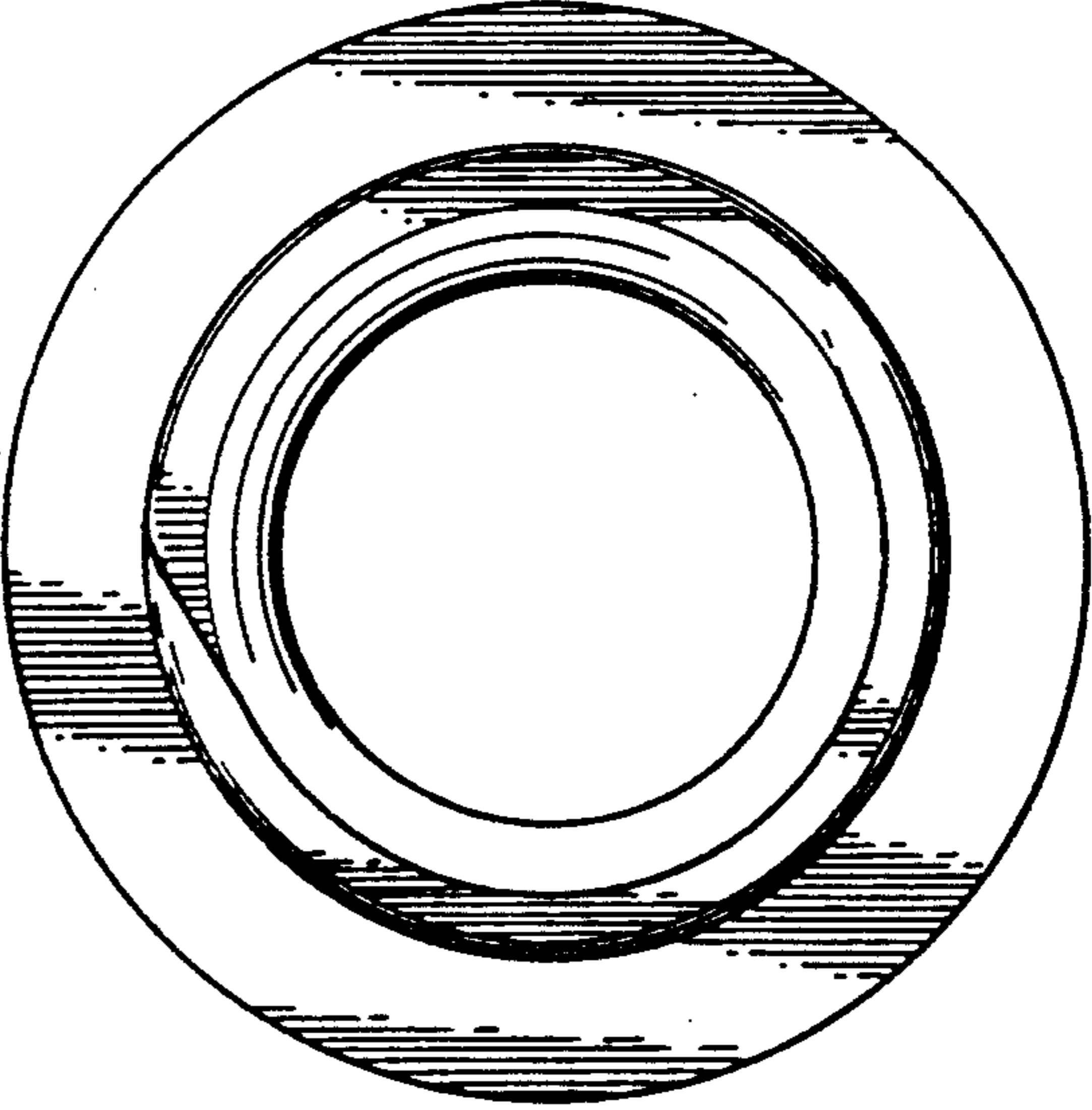


FIG. 5