



US00D346019S

United States Patent [19]

[11] Patent Number: **Des. 346,019**

Cheslock et al.

[45] Date of Patent: **** Apr. 12, 1994**

[54] PORTABLE FAN

[56] References Cited

[76] Inventors: **Edward P. Cheslock**, 2050 Oxford Rd., Lincoln University, Pa. 19352;
Kurt F. Hafeken, 67 Mercer Dr., Newark, Del. 19713

U.S. PATENT DOCUMENTS

D. 336,512 6/1993 Cuning D23/411
D. 339,859 9/1993 Cheslock D23/370
5,118,252 6/1992 Chaney 416/247 R

Primary Examiner—Wallace R. Burke
Assistant Examiner—Lisa Lichtenstein

[**] Term: **14 Years**

[57] CLAIM

The ornamental design for a portable fan, as shown and described.

[21] Appl. No.: **4,802**

DESCRIPTION

[22] Filed: **Feb. 16, 1993**

FIG. 1 is a front elevational view of a portable fan showing our new design;
FIG. 2 is a top plan view thereof;
FIG. 3 is a rear elevational view thereof;
FIG. 4 is a bottom plan view thereof; and,
FIG. 5 is a left side elevational view thereof, the right side being substantially identical except for the control knob.

[52] U.S. Cl. **D23/382; D23/370; D6/499**

[58] Field of Search **416/247 R; 392/365-369; D6/462, 312, 499; D23/370, 381, 382, 335, 336, 337, 328, 411**

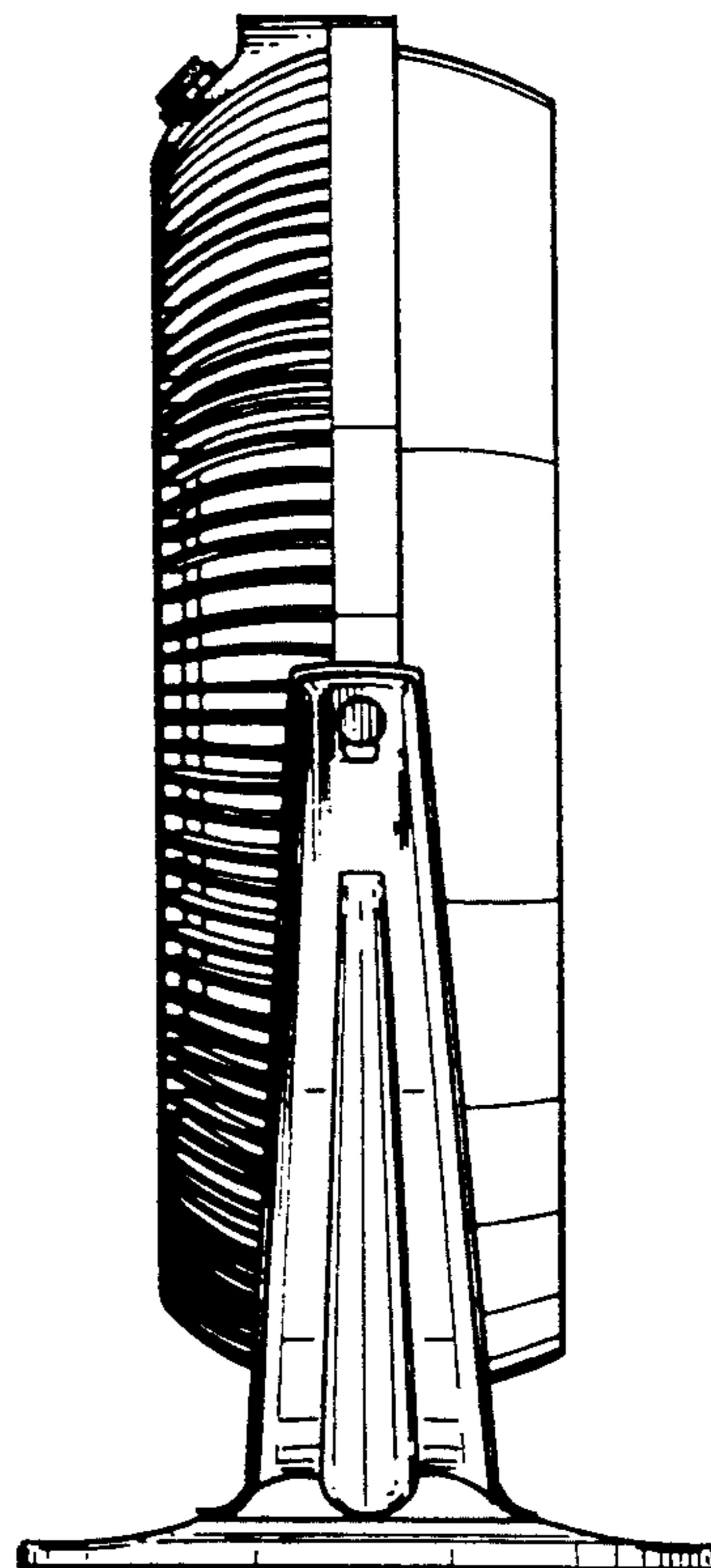
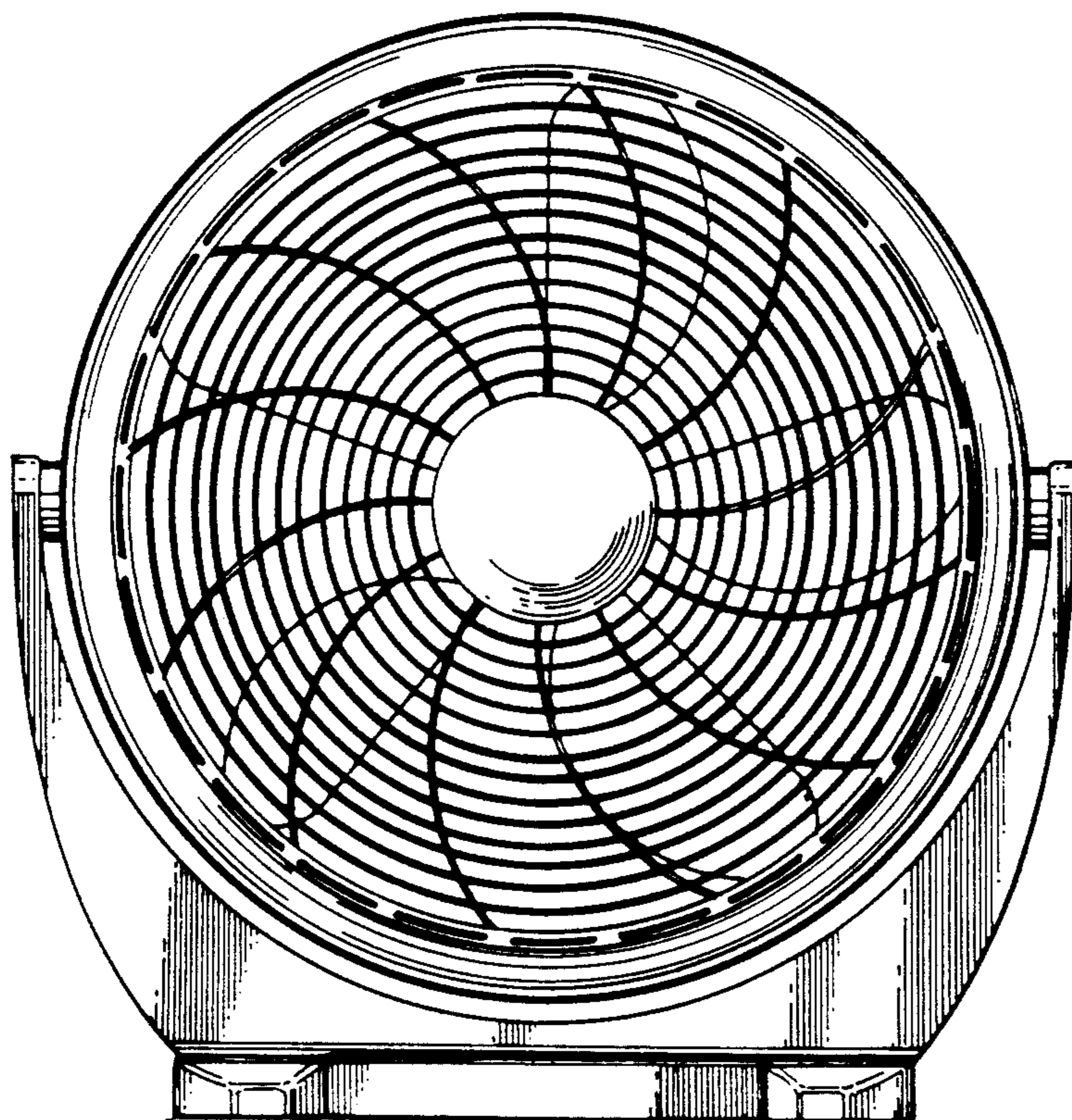


FIG. 1

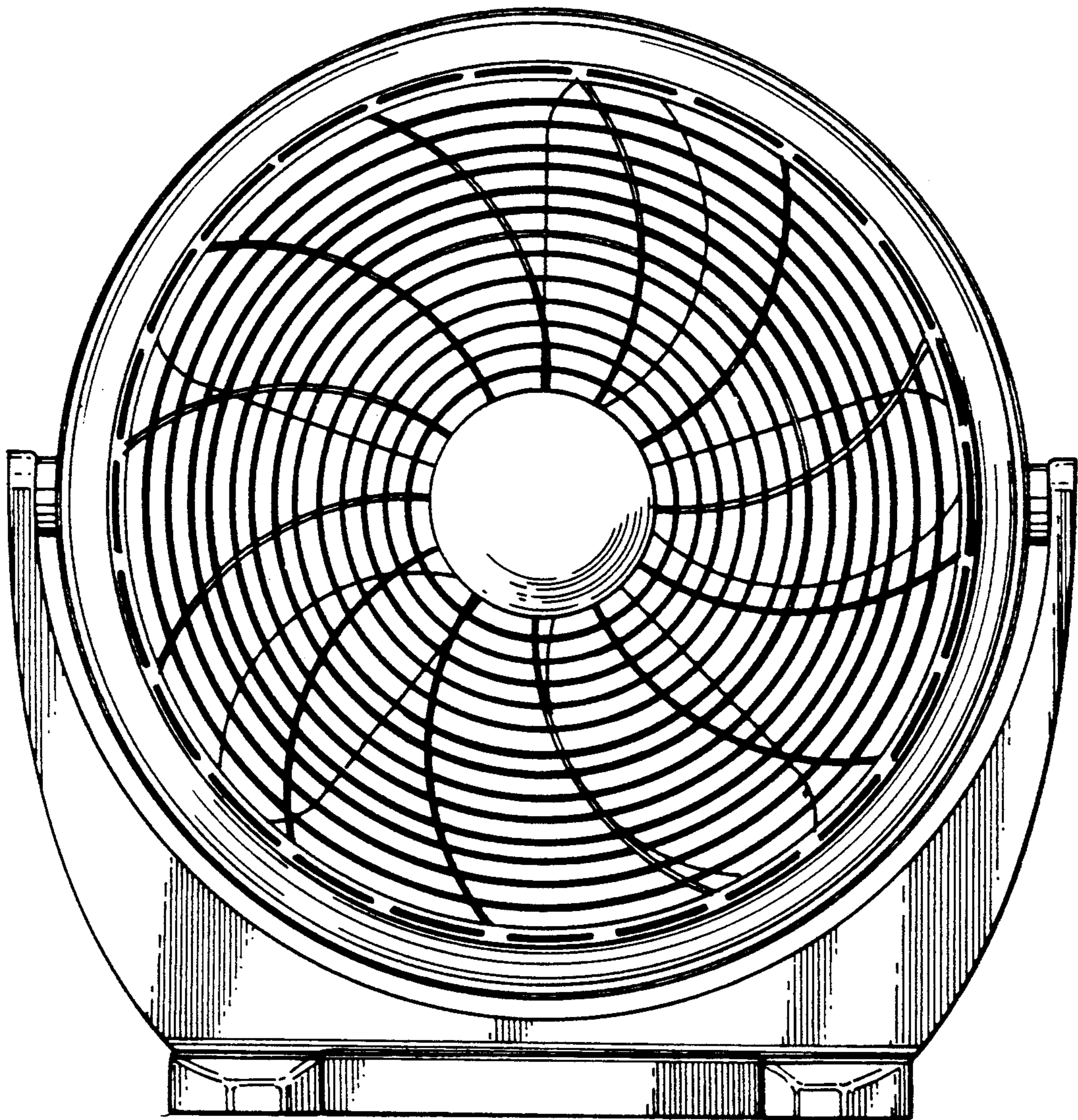


FIG. 2

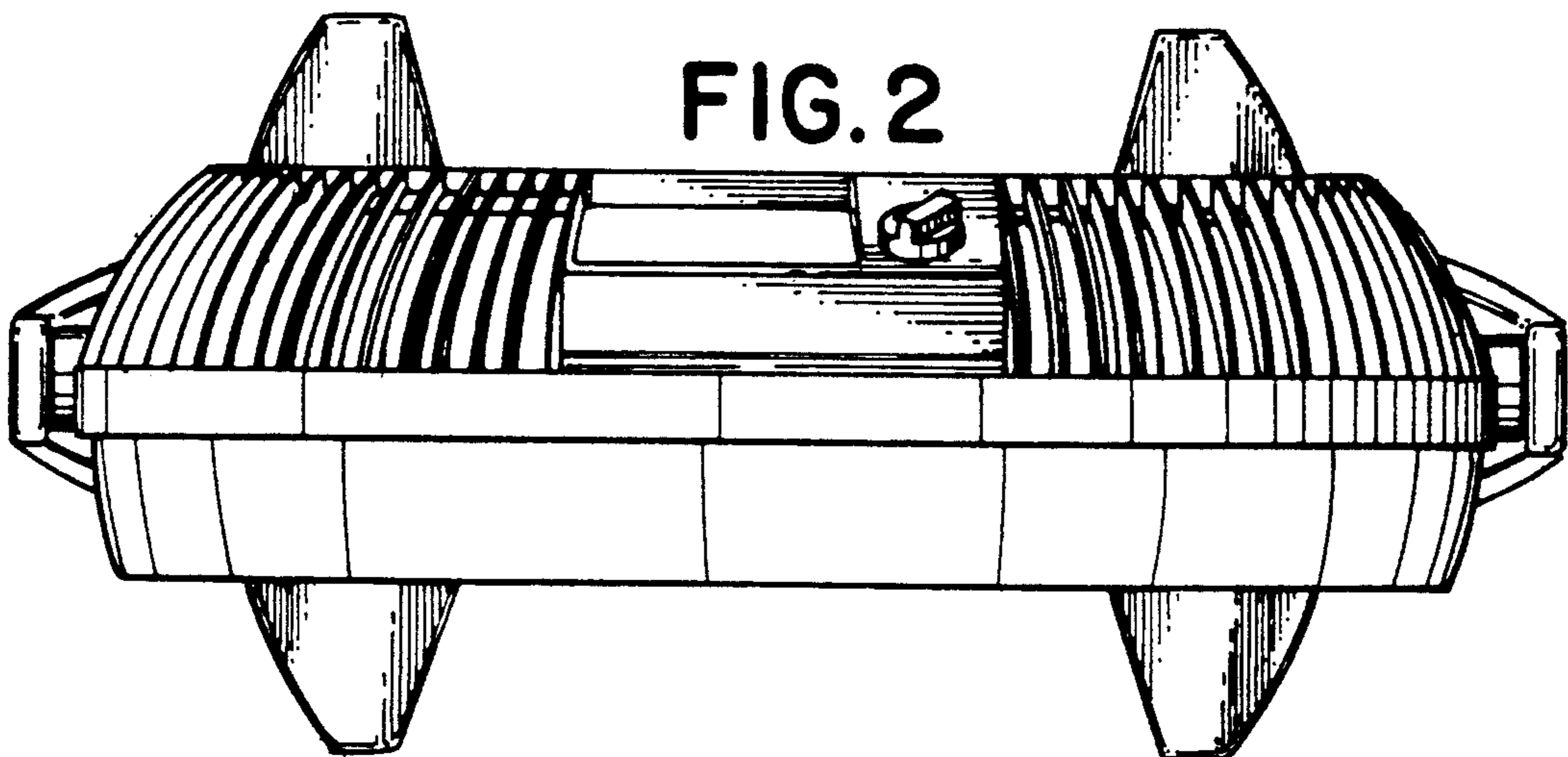


FIG. 3

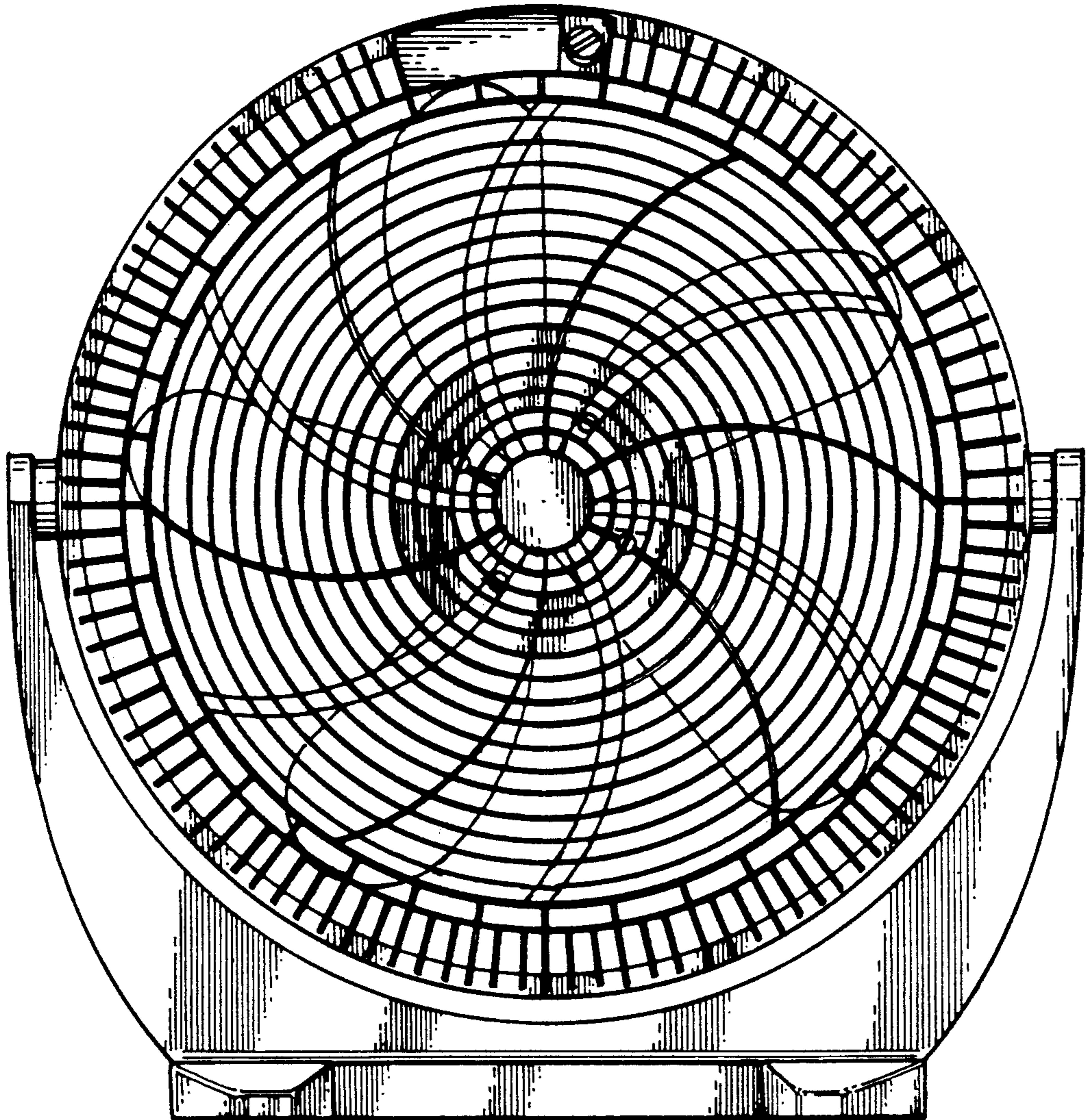
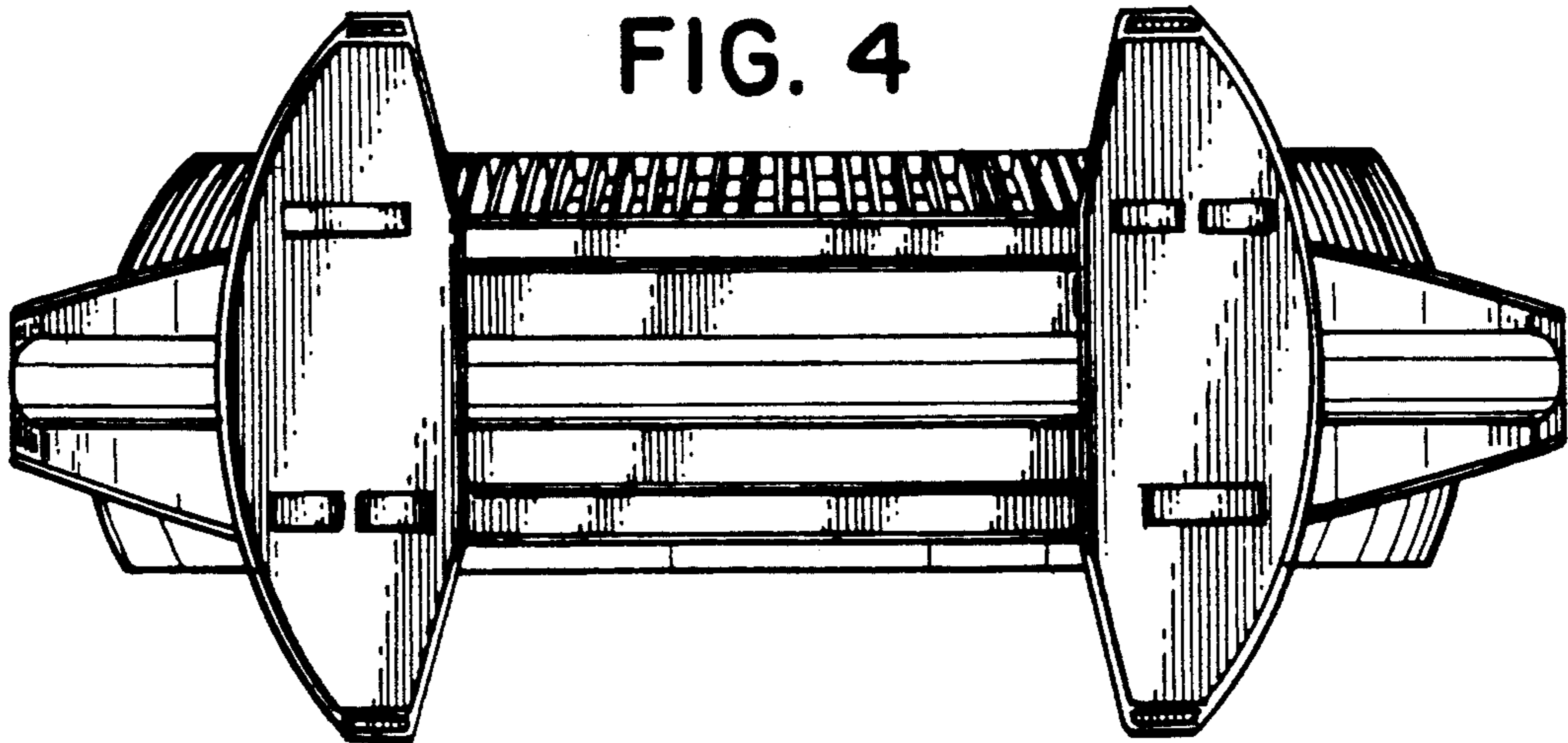


FIG. 4



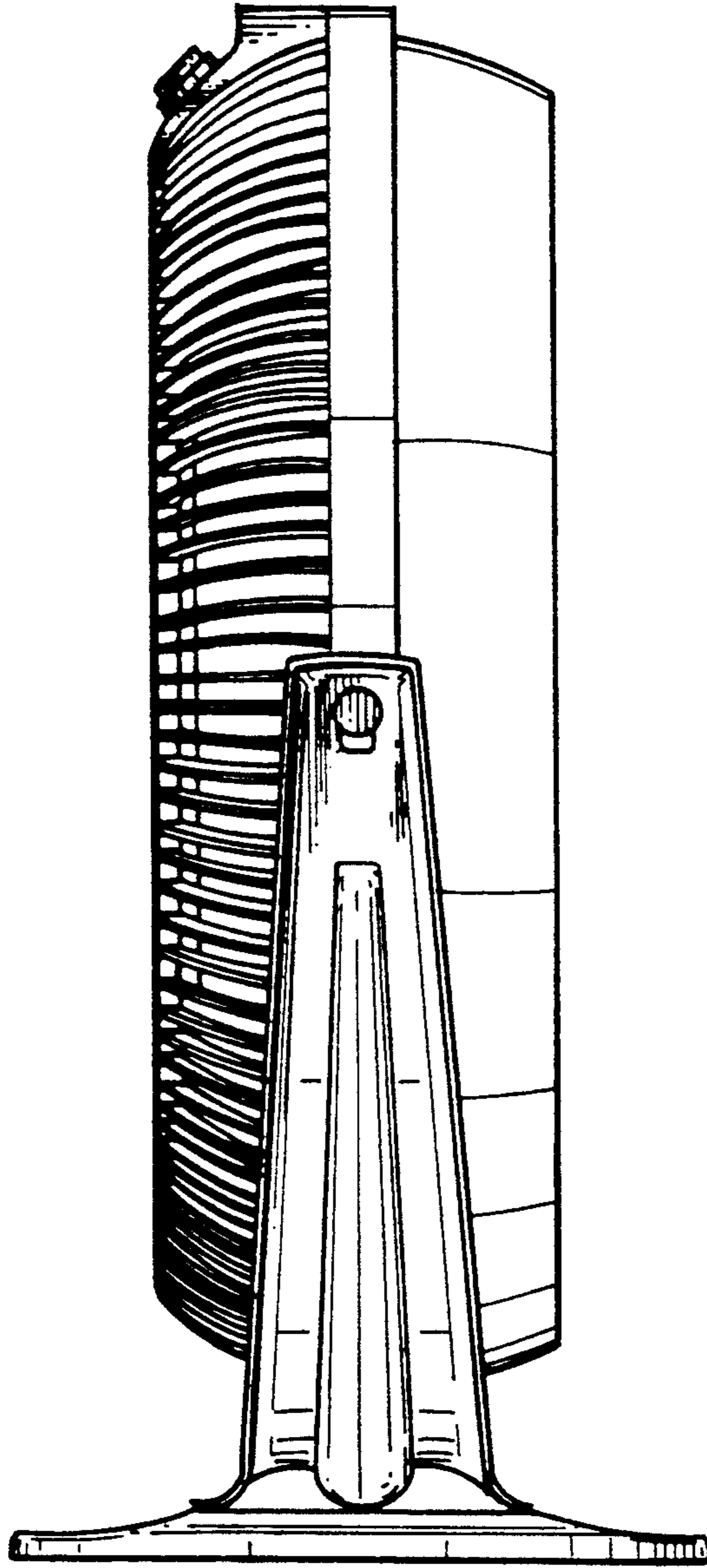


FIG. 5