



US00D346016S

# United States Patent [19]

[11] Patent Number: **Des. 346,016**

**McClelland**

[45] Date of Patent: **\*\* Apr. 12, 1994**

[54] **URINAL**

[76] Inventor: **Harold B. McClelland**, 7 Durst St.,  
Greenville, Pa. 16125

[\*\*] Term: **14 Years**

[21] Appl. No.: **659,122**

[22] Filed: **Feb. 22, 1991**

[52] U.S. Cl. .... **D23/302**

[58] Field of Search ..... 4/144.1-144.4,  
4/301-310, 340-342, 462, 463; D23/302, 303,  
309, 310

[56] **References Cited**

**U.S. PATENT DOCUMENTS**

3,500,480	3/1970	Michal, Jr. ....	4/301
4,137,579	2/1979	Soler .....	4/144.3 X
4,180,875	1/1980	Wilson .....	4/309
4,282,611	8/1981	O'Day .....	4/144.1
4,490,863	1/1985	Pate .....	4/301
5,153,947	10/1992	Markles .....	4/342

*Primary Examiner*—James R. Largen  
*Attorney, Agent, or Firm*—S. Michael Bender

[57] **CLAIM**

The ornamental design for a urinal, as shown and described.

**DESCRIPTION**

FIG. 1 is a front elevational view of the urinal showing my new design;

FIG. 2 is a rear elevational view thereof;

FIG. 3 is a left side elevational view thereof;

FIG. 4 is a right side elevational view thereof;

FIG. 5 is a top plan view thereof;

FIG. 6 is a bottom plan view thereof; and,

FIG. 7 is a perspective view taken from the top, front and left side thereof.

The broken line representation of supply and drain tubes in FIGS. 1 through 7 and of a toilet in FIG. 7 are for purposes of illustration only and form no part of the claimed design.

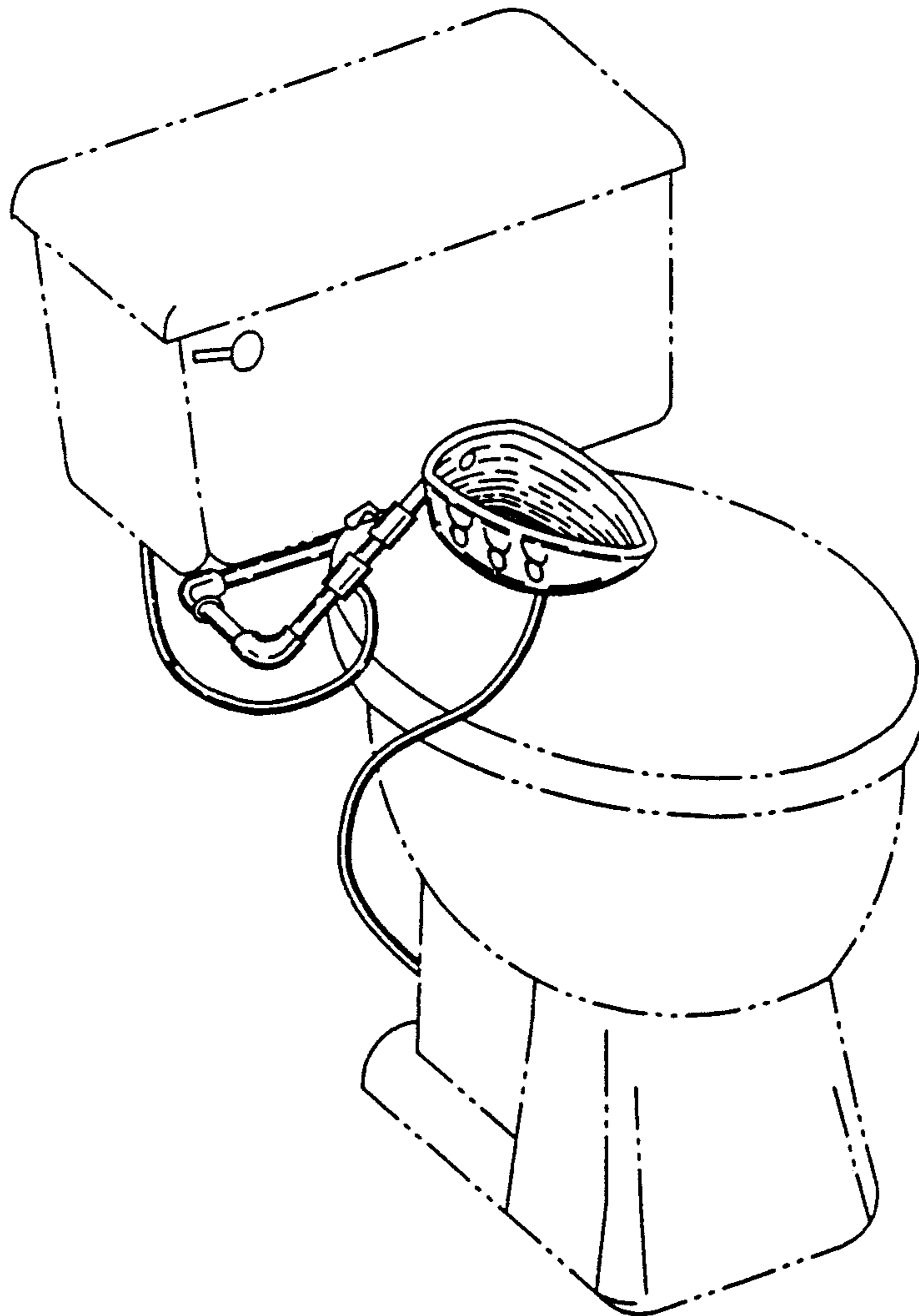


FIG. 1

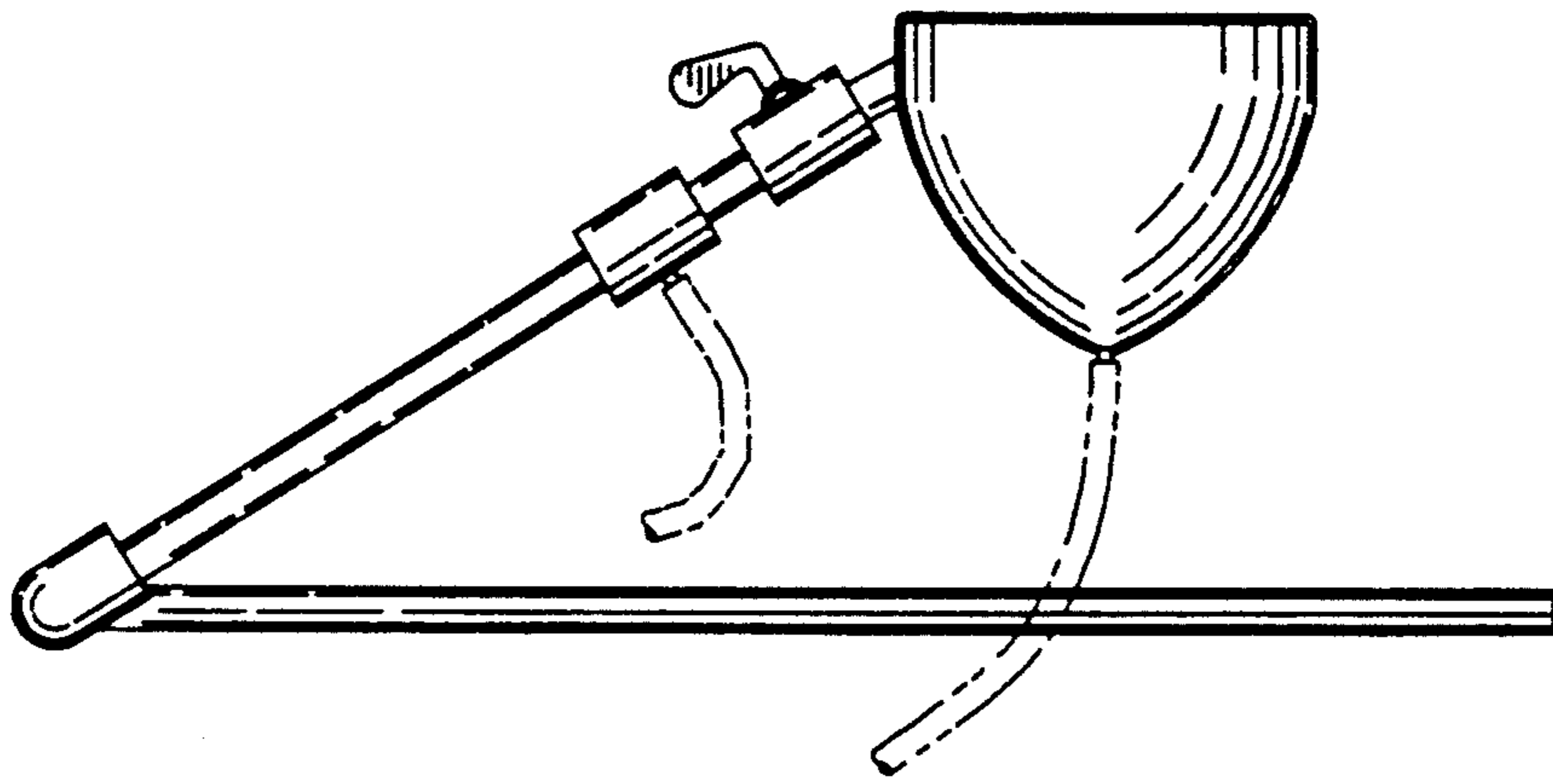


FIG. 2

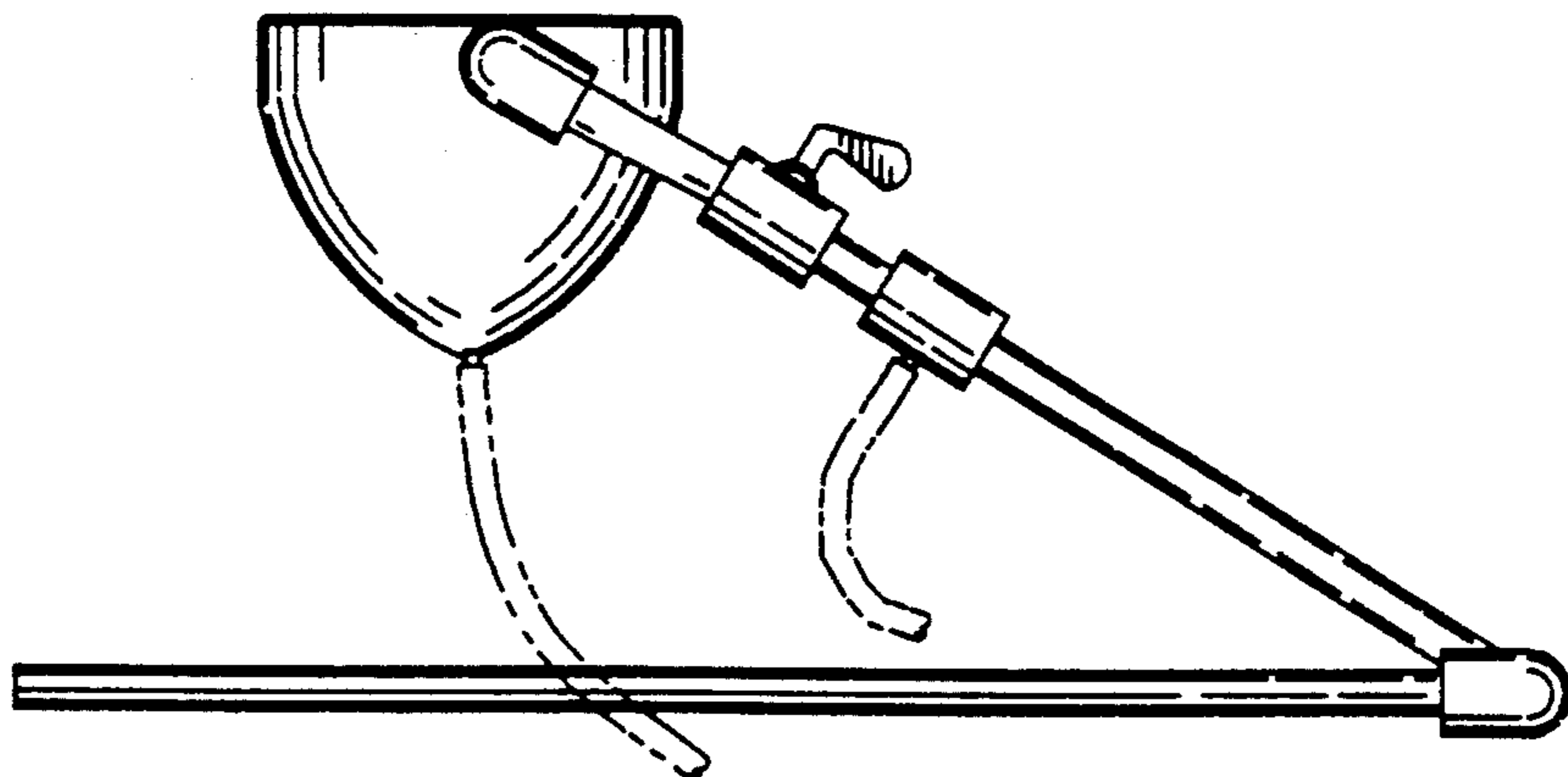


FIG. 3

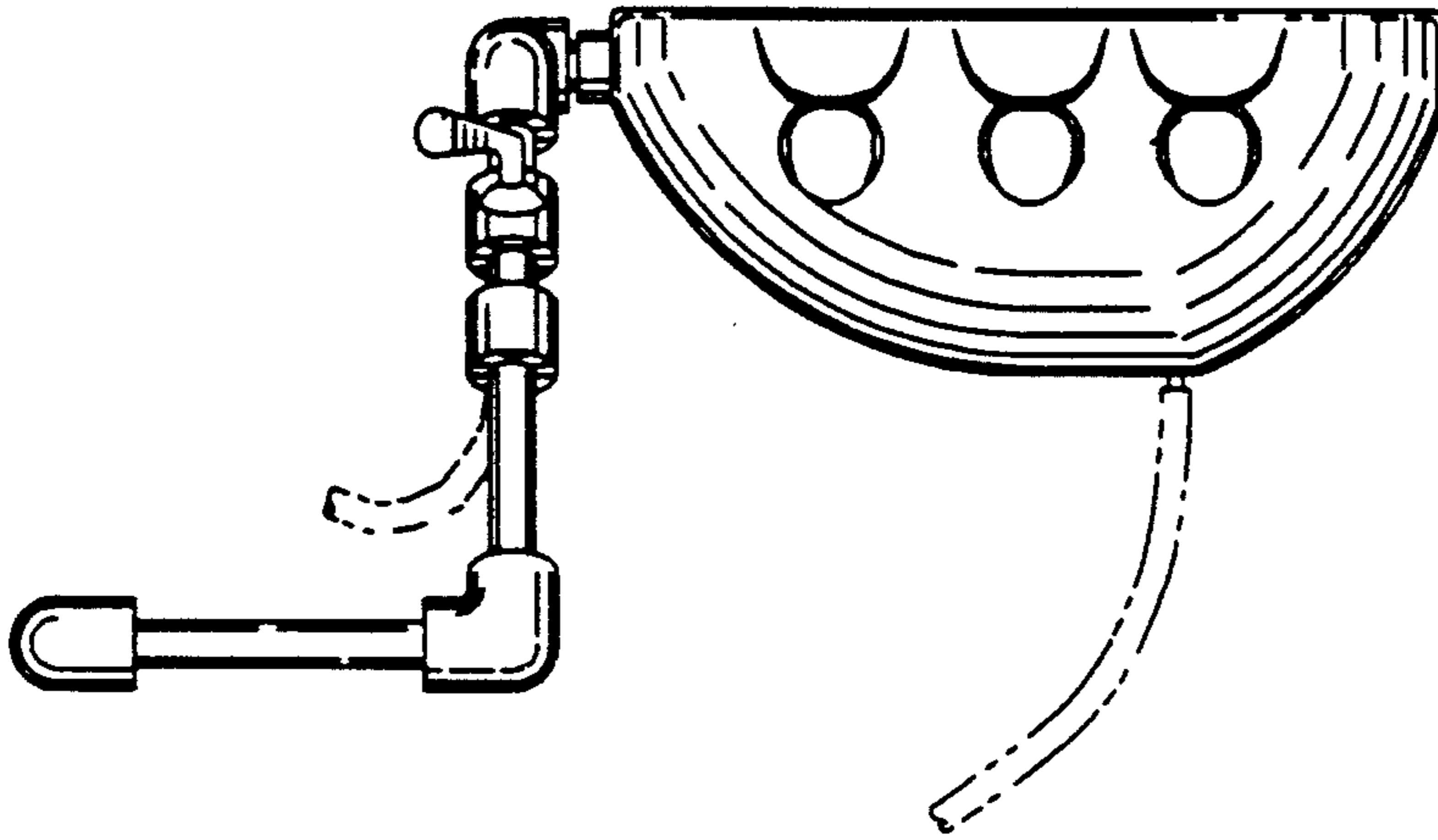


FIG. 4

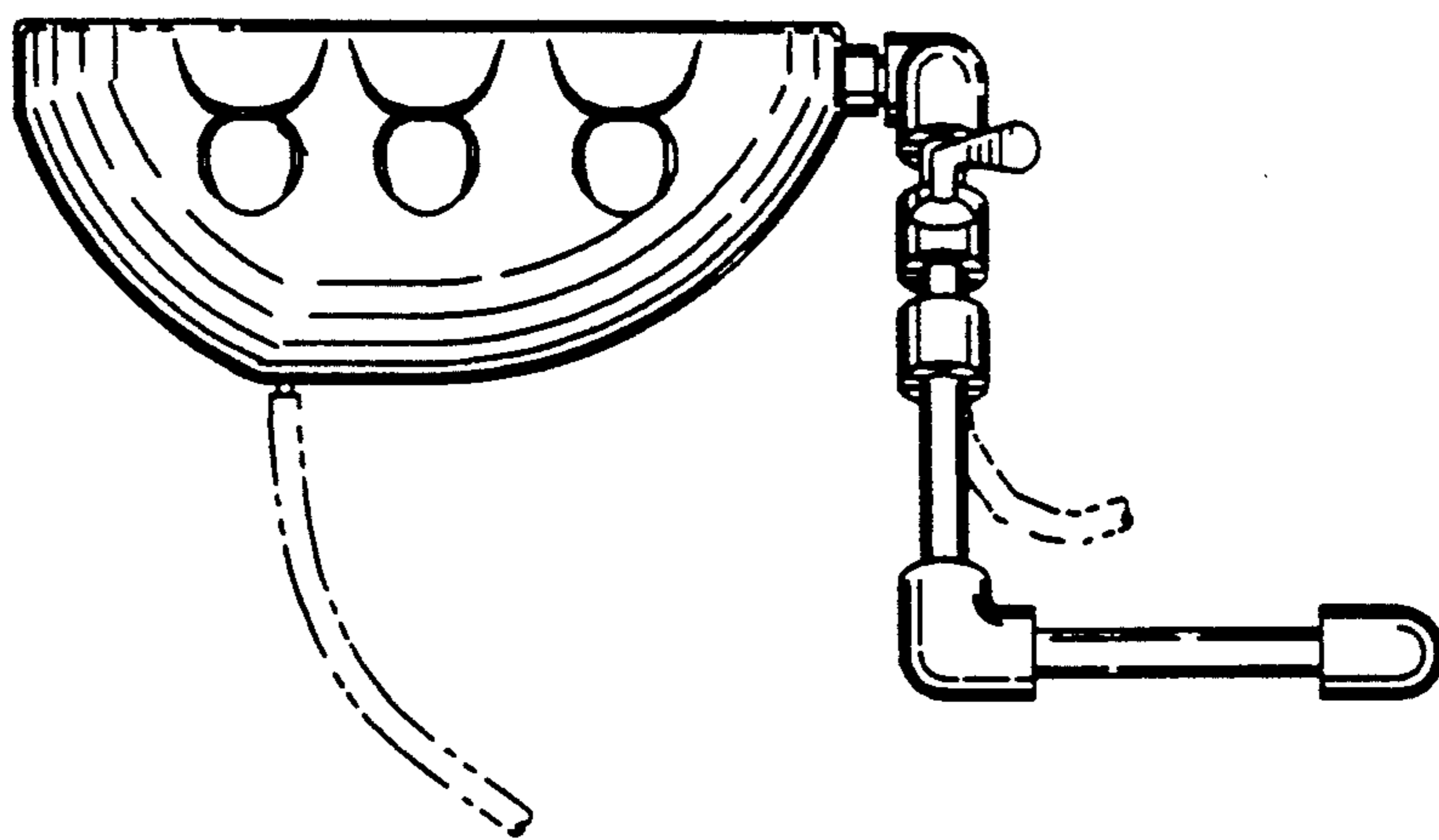


FIG. 5

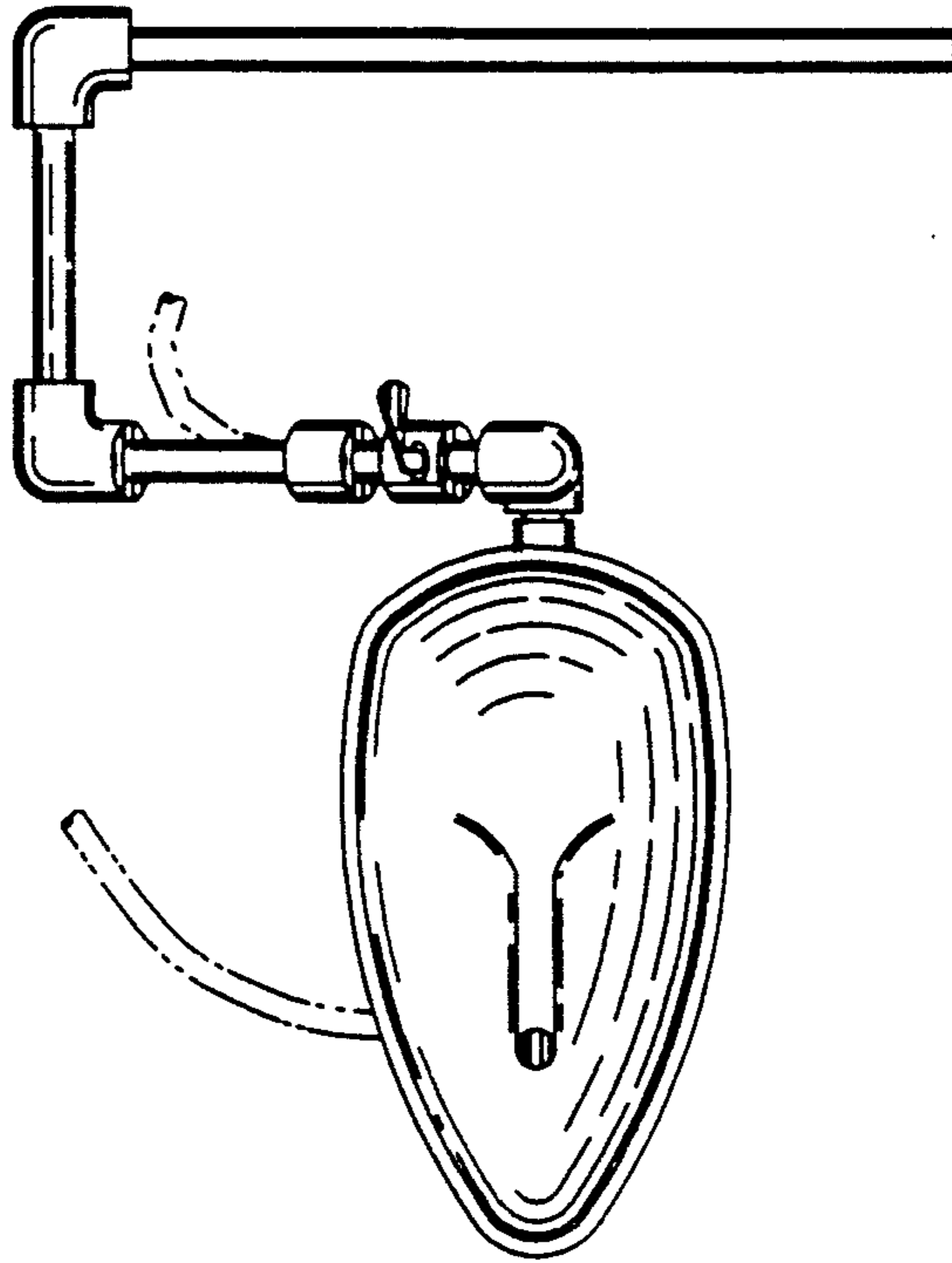


FIG. 6

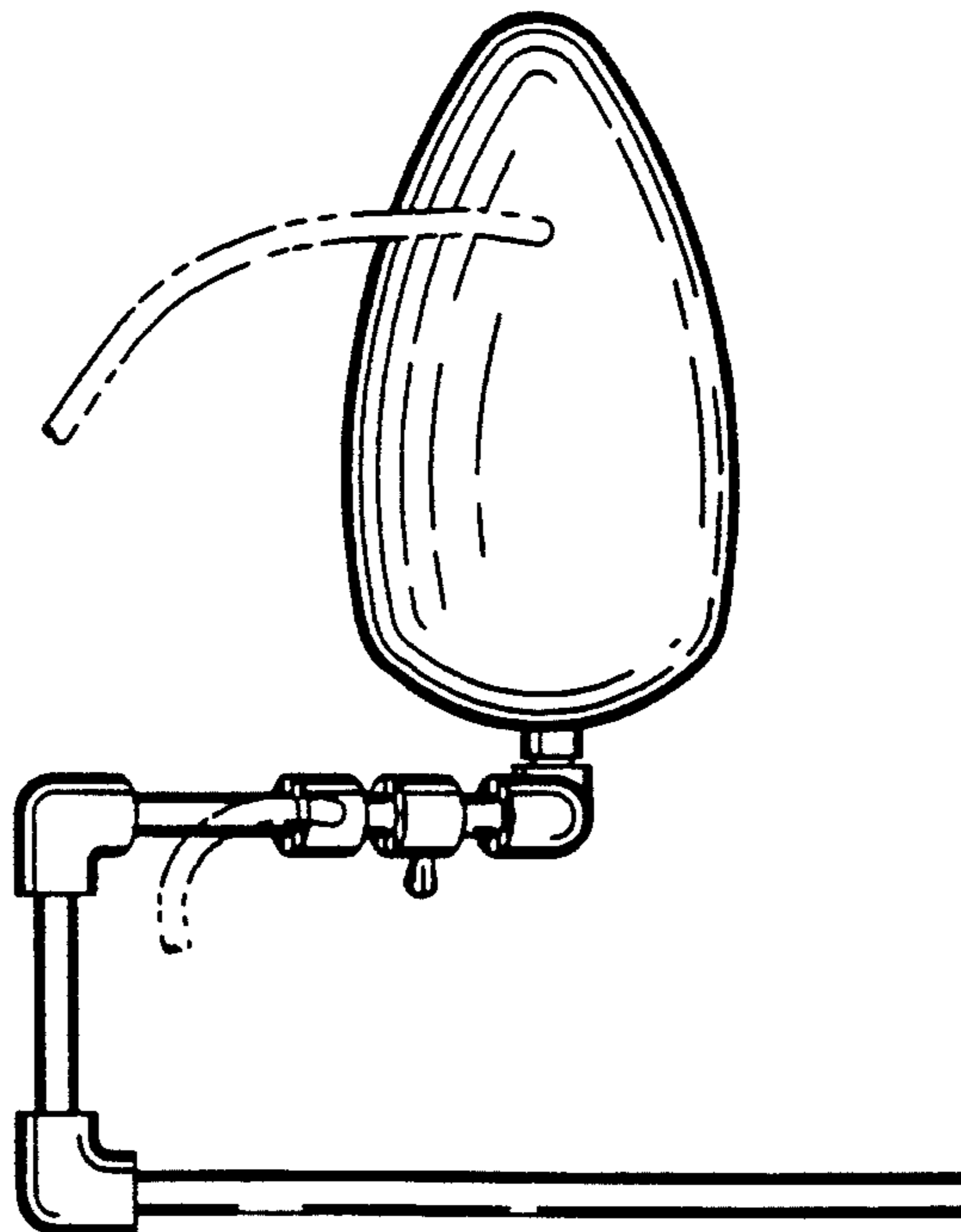


FIG. 7

