



US00D346015S

United States Patent [19]

[11] Patent Number: **Des. 346,015**

Maskell et al.

[45] Date of Patent: **** Apr. 12, 1994**

[54] **SHOWER STALL**

4,424,598 1/1984 Cima 4/524
4,858,257 8/1989 Bivens 4/596

[75] Inventors: **Bruce W. Maskell**, Suisin; **Ralph D'Innocente**, Benecia; **Roy A. Jacuzzi**, Lafayette, all of Calif.

OTHER PUBLICATIONS

Brochure, Jacuzzi Europe S.p.A., "J-Dream" (Italian), 1988.

[73] Assignee: **Jacuzzi, Inc.**, Walnut Creek, Calif.

Primary Examiner—James R. Largen
Attorney, Agent, or Firm—Limbach & Limbach

[**] Term: **14 Years**

[57] CLAIM

[21] Appl. No.: **822,578**

The ornamental design for a shower stall, as shown and described.

[22] Filed: **Jan. 17, 1992**

[52] U.S. Cl. **D23/285; D23/275; D24/203**

DESCRIPTION

[58] Field of Search 4/524, 525, 528, 531, 4/532, 533, 538, 541.1-541.6, 557, 571.1, 576.1, 577.1, 589, 590, 596, 607, 610-614; D23/270, 275, 277-283, 303-307; D24/201-205

FIG. 1 is a perspective view taken from the bottom, front and left side of a shower stall showing our new design;

[56] References Cited

U.S. PATENT DOCUMENTS

D. 209,887	1/1968	Berry	D24/203
D. 226,873	5/1973	Mathis	D24/202
D. 253,672	12/1979	Baus	D23/305
D. 333,700	3/1993	Barrett, Sr.	D23/303
3,007,178	11/1961	Altman et al.	4/525
4,153,954	5/1979	Jacuzzi et al.	4/541.4
4,365,368	12/1982	Boggs	4/524 X

FIG. 2 is a perspective view taken from the top, front and left side thereof, with the transparent front, side panels and top removed for convenience of illustration;

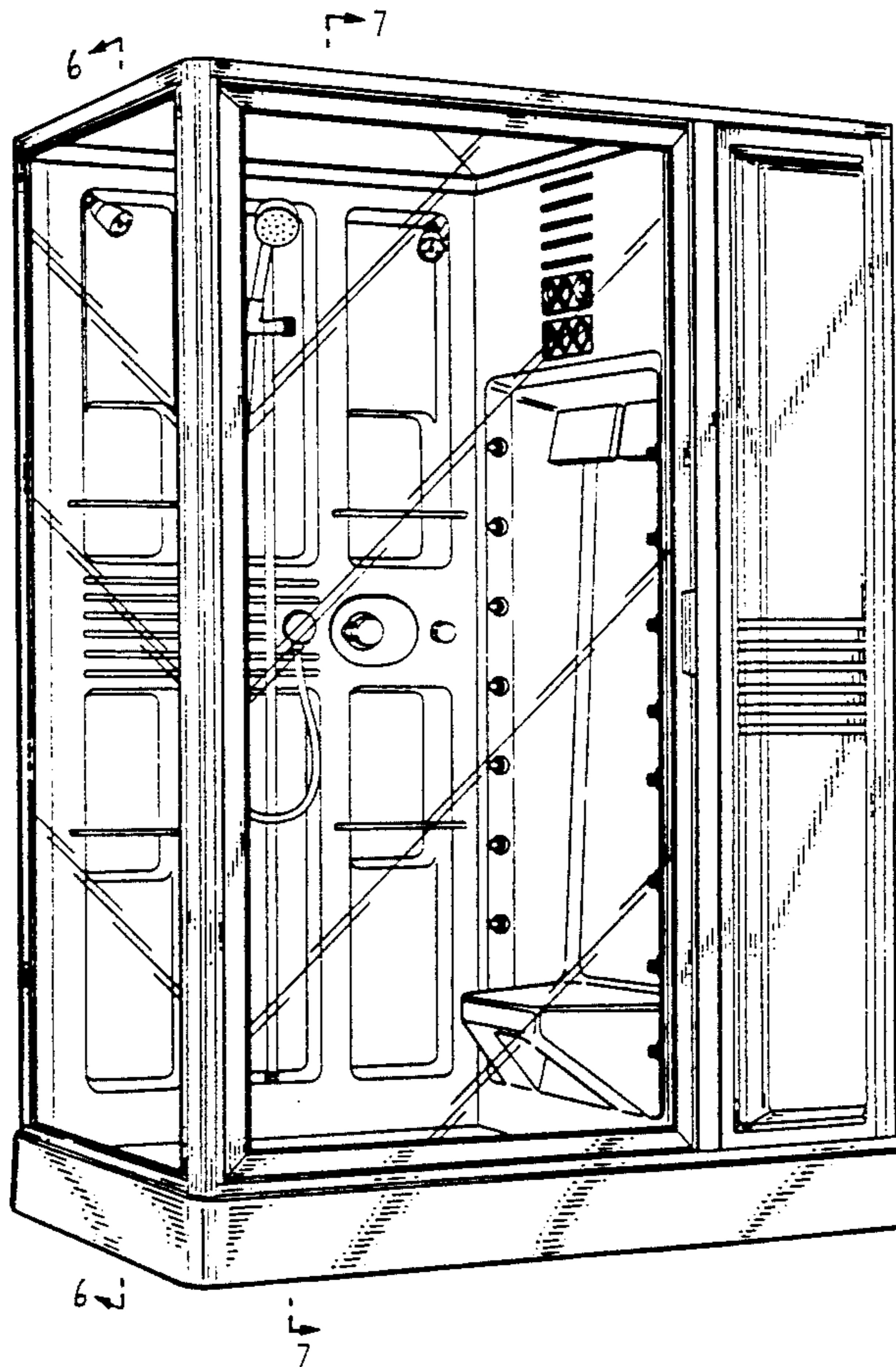
FIG. 3 is a front elevational view thereof;

FIG. 4 is a left side elevational view thereof;

FIG. 5 is a top plan view thereof;

FIG. 6 is a cross-sectional view, taken on line 6—6 of FIG. 1; and,

FIG. 7 is a cross sectional view, taken on line 7—7 of FIG. 1.



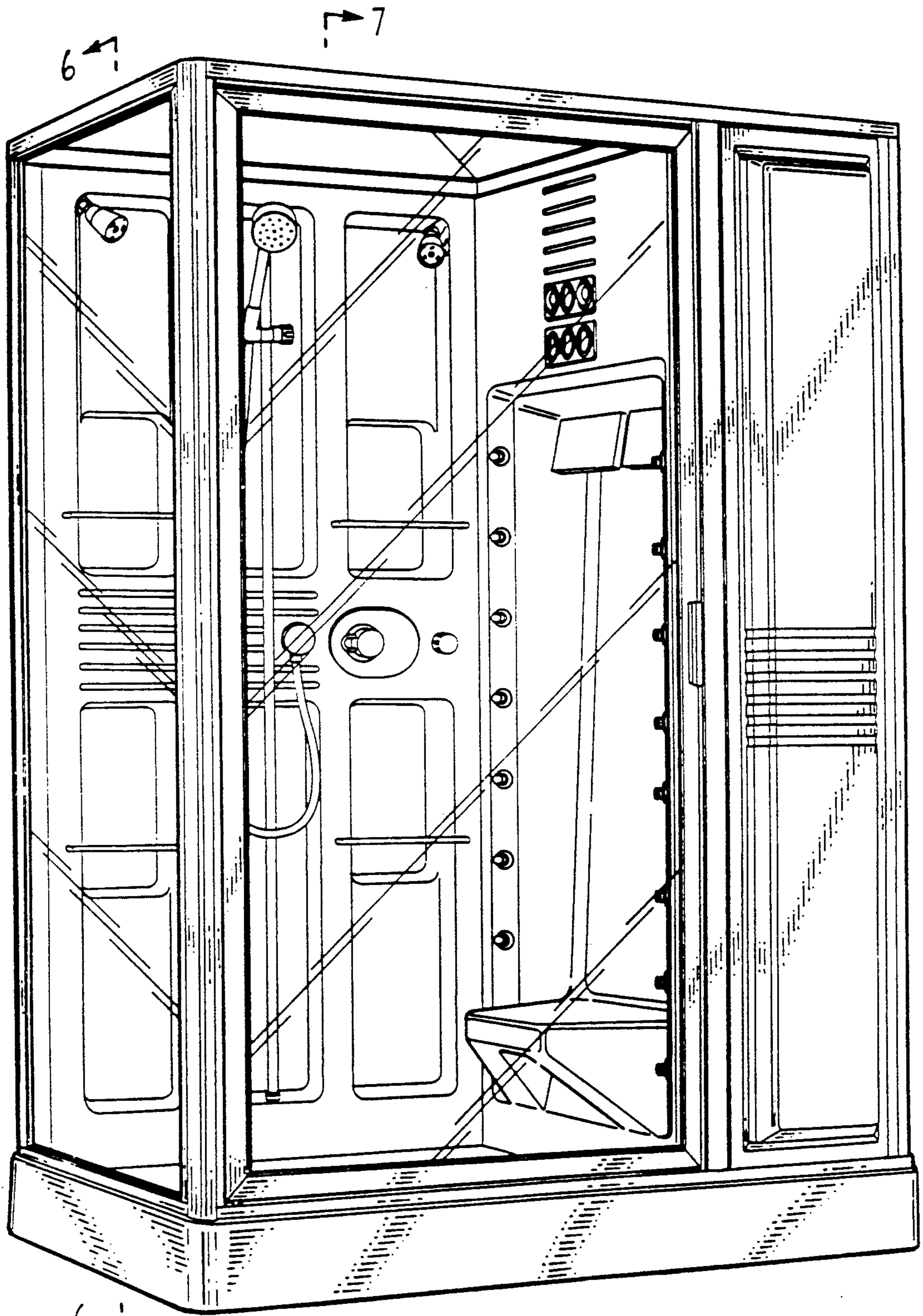


FIG. 1

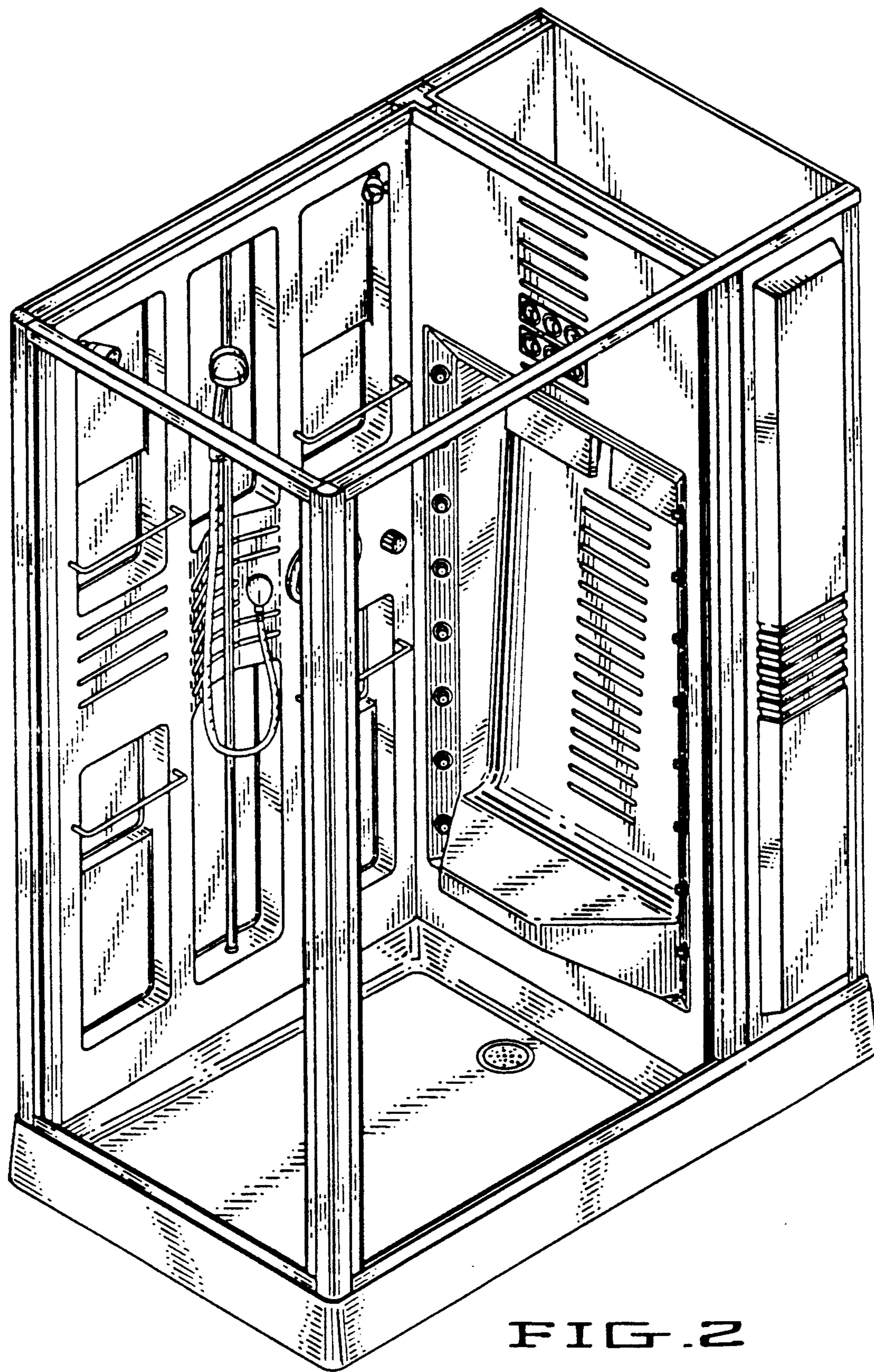


FIG. 2

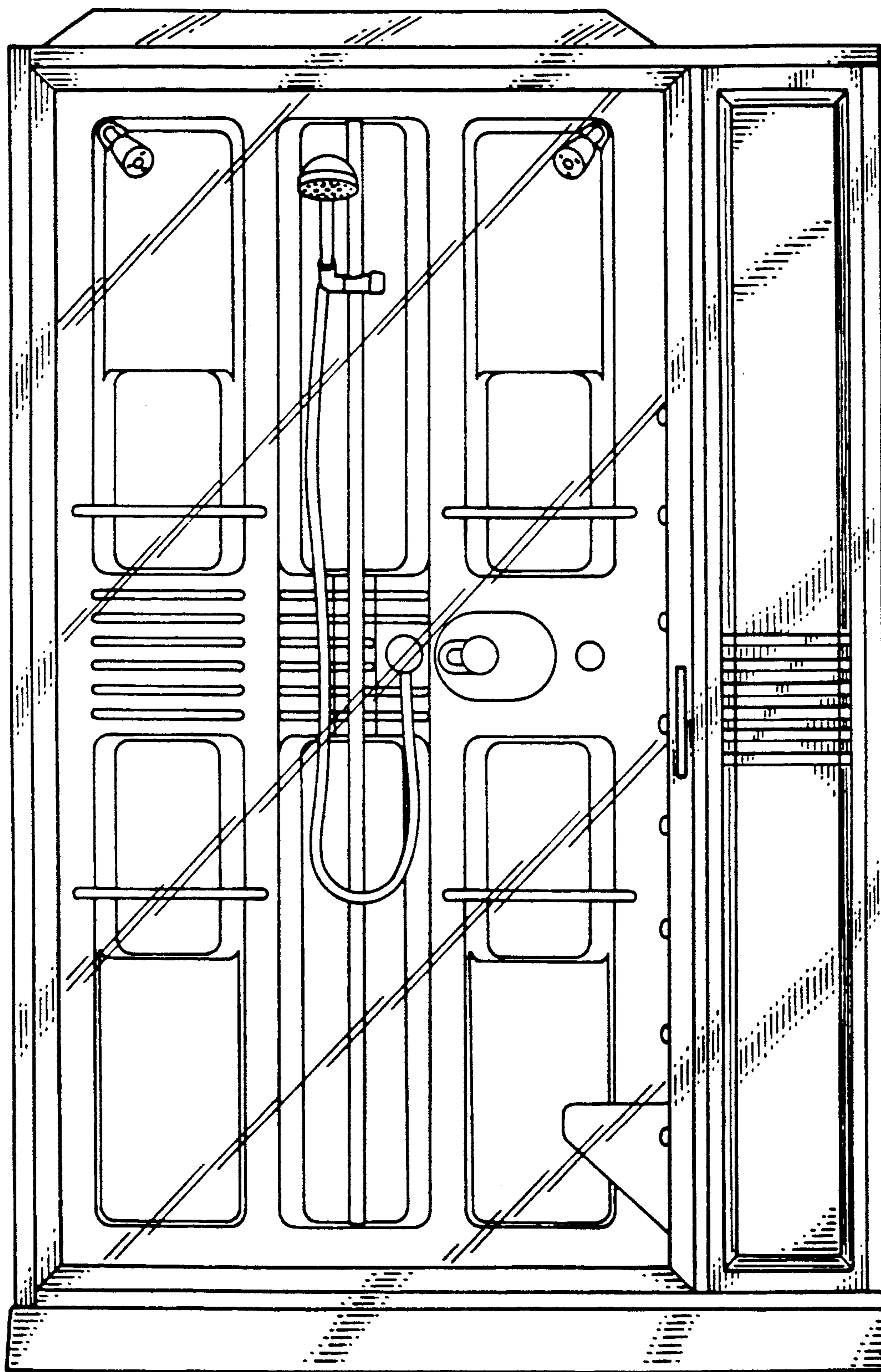


FIG. 3

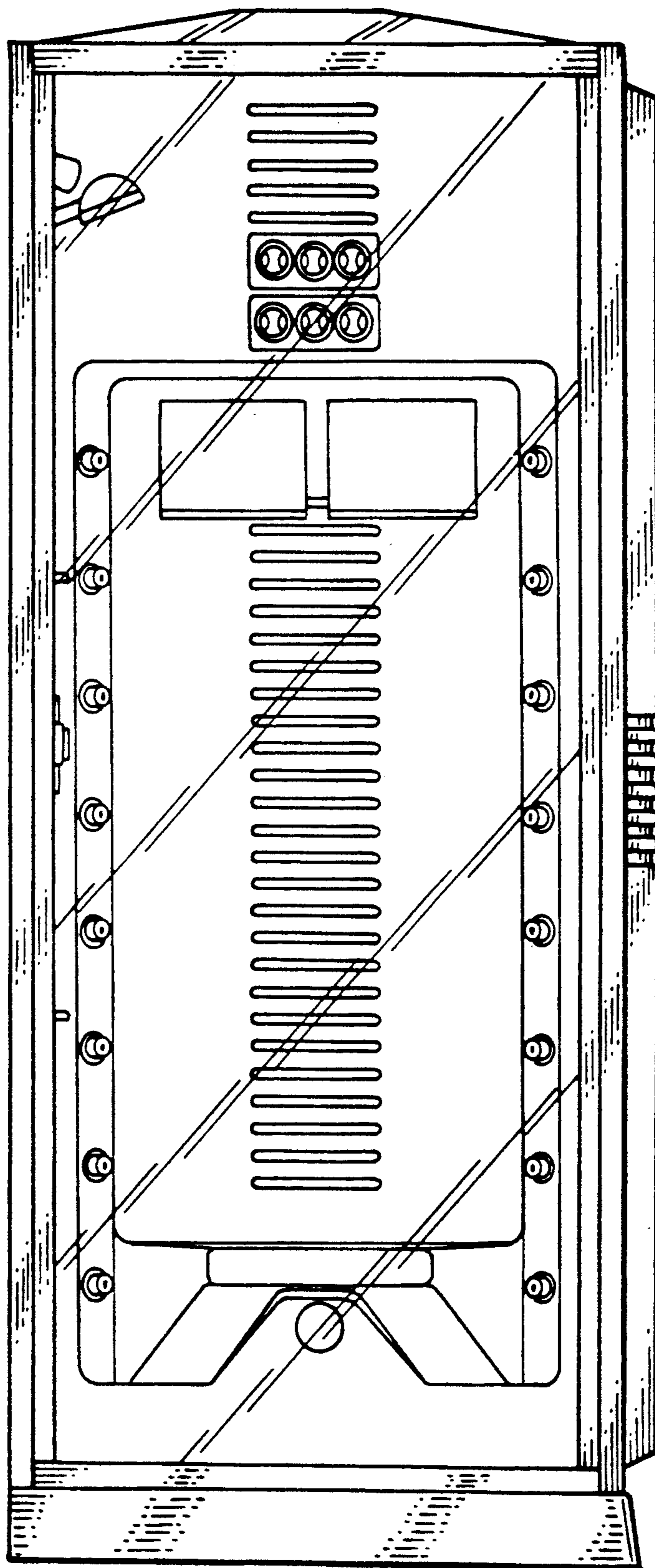


FIG. 4

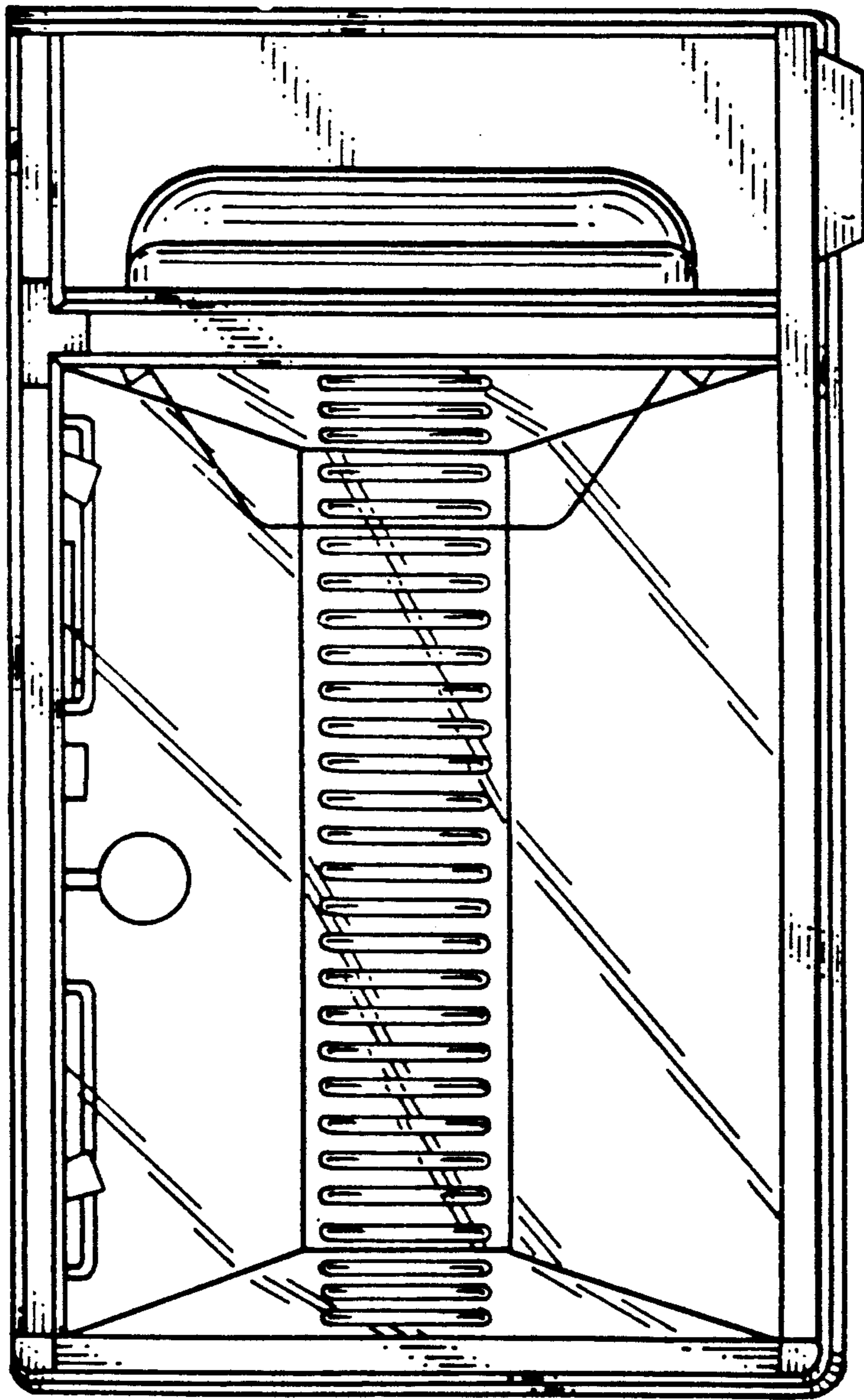


FIG. 5

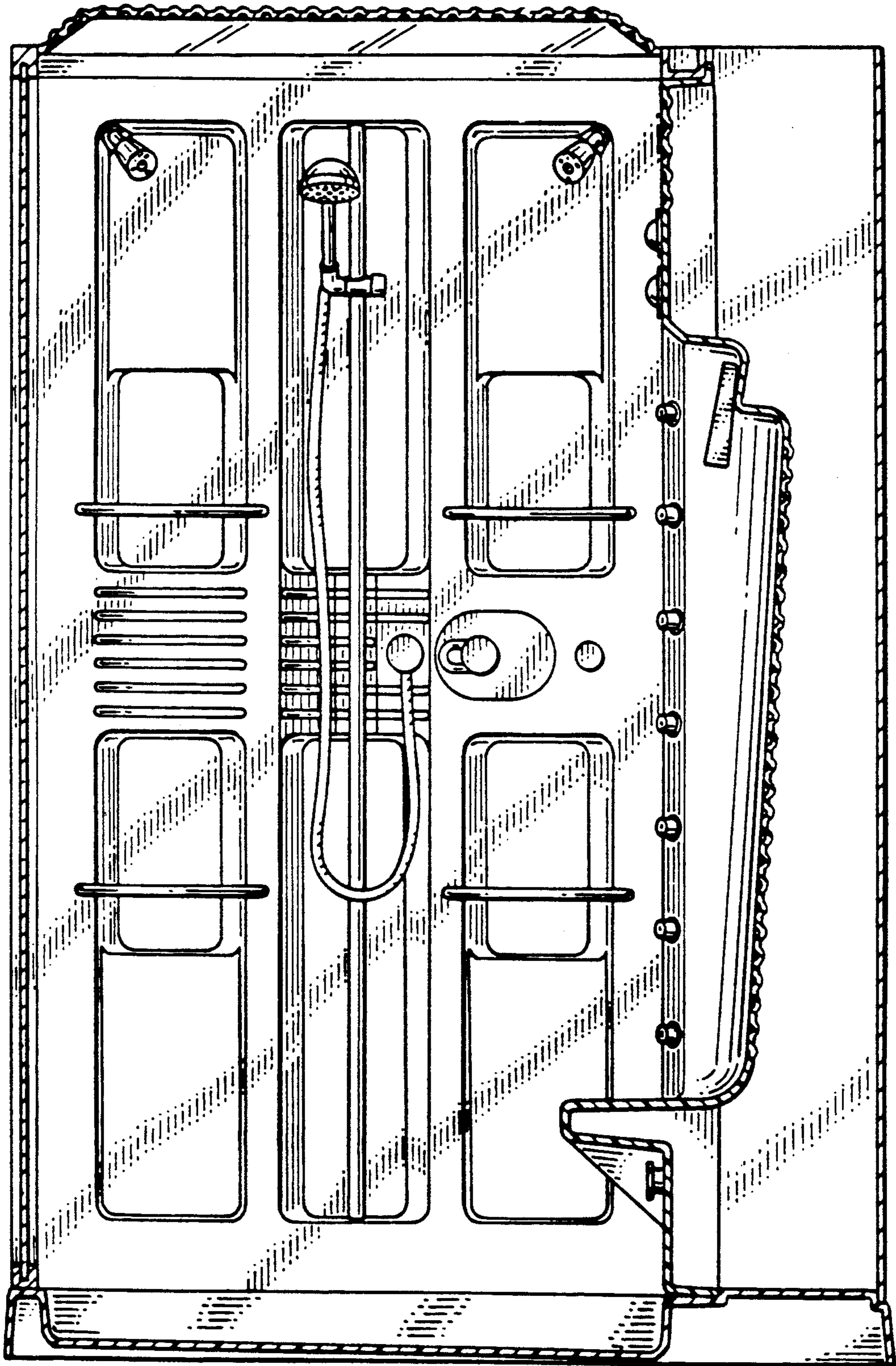


FIG. 6

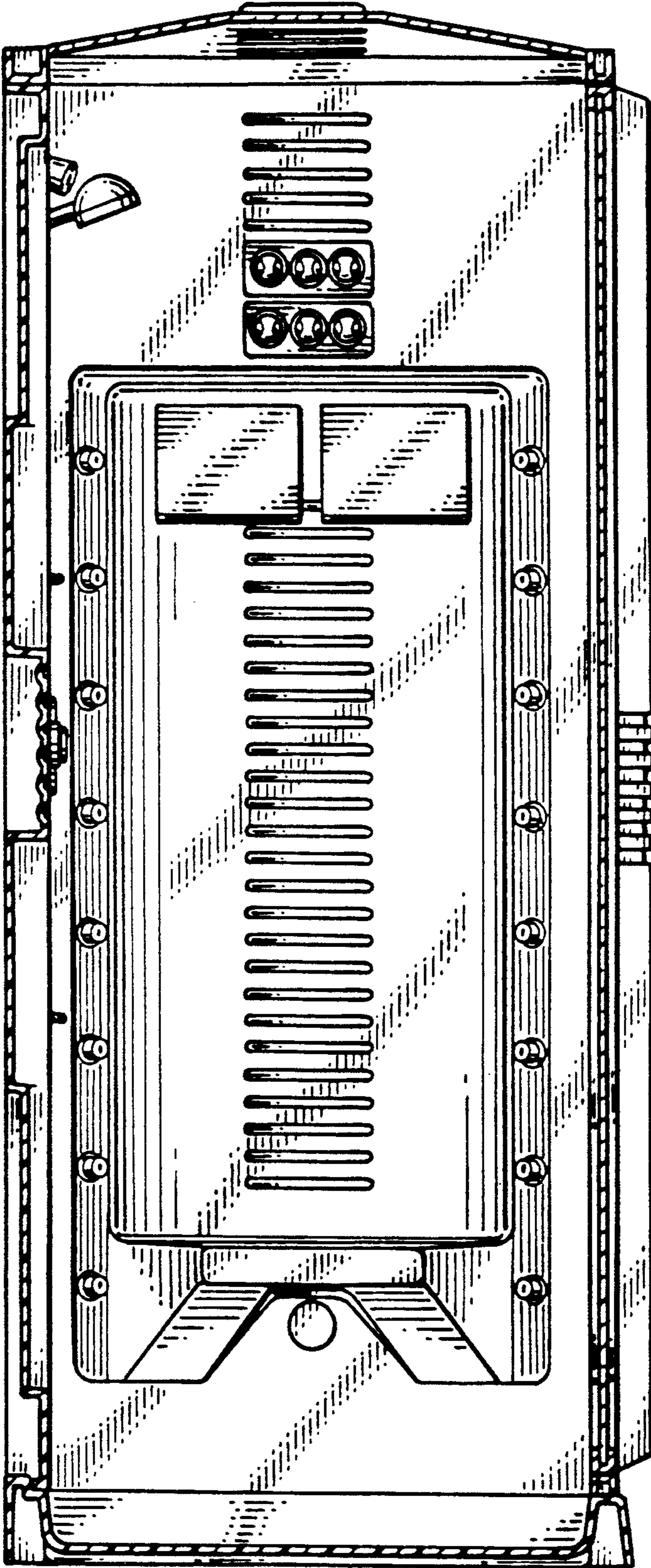


FIG. 2