



US00D346011S

# United States Patent [19]

[11] Patent Number: **Des. 346,011**

**Hawkins**

[45] Date of Patent: **\*\* Apr. 12, 1994**

[54] **GANG VALVE**

2,191,002	2/1940	Volkert	137/887	X
2,418,808	4/1947	Benson	137/883	X
2,490,839	12/1949	Shaffer et al.	137/883	X

[76] Inventor: **Larry G. Hawkins**, 1538 Mitchell St., Escalon, Calif. 95320

*Primary Examiner*—James R. Largen  
*Attorney, Agent, or Firm*—S. Michael Bender

[\*\*] Term: **14 Years**

[57] **CLAIM**

[21] Appl. No.: **480,519**

The ornamental design for gang valve, as shown and described.

[22] Filed: **Feb. 15, 1990**

[52] U.S. Cl. .... **D23/245**

[58] Field of Search ..... 137/883, 887;  
D23/233-237, 244-249

**DESCRIPTION**

[56] **References Cited**

**U.S. PATENT DOCUMENTS**

D. 237,882	12/1975	Yamasaki	D23/245
D. 263,871	4/1982	Matsuura	D23/245 X
D. 264,131	4/1982	Matsuura	D23/245 X
1,786,963	12/1930	Schoenberger	137/883

FIG. 1 is a front elevational view of the gang valve showing my new design;  
FIG. 2 is a rear elevational view thereof;  
FIG. 3 is a left side elevational view thereof;  
FIG. 4 is a right side elevational view thereof;  
FIG. 5 is a top plan view thereof;  
FIG. 6 is a bottom plan view thereof; and,  
FIG. 7 is a perspective view thereof taken from above.

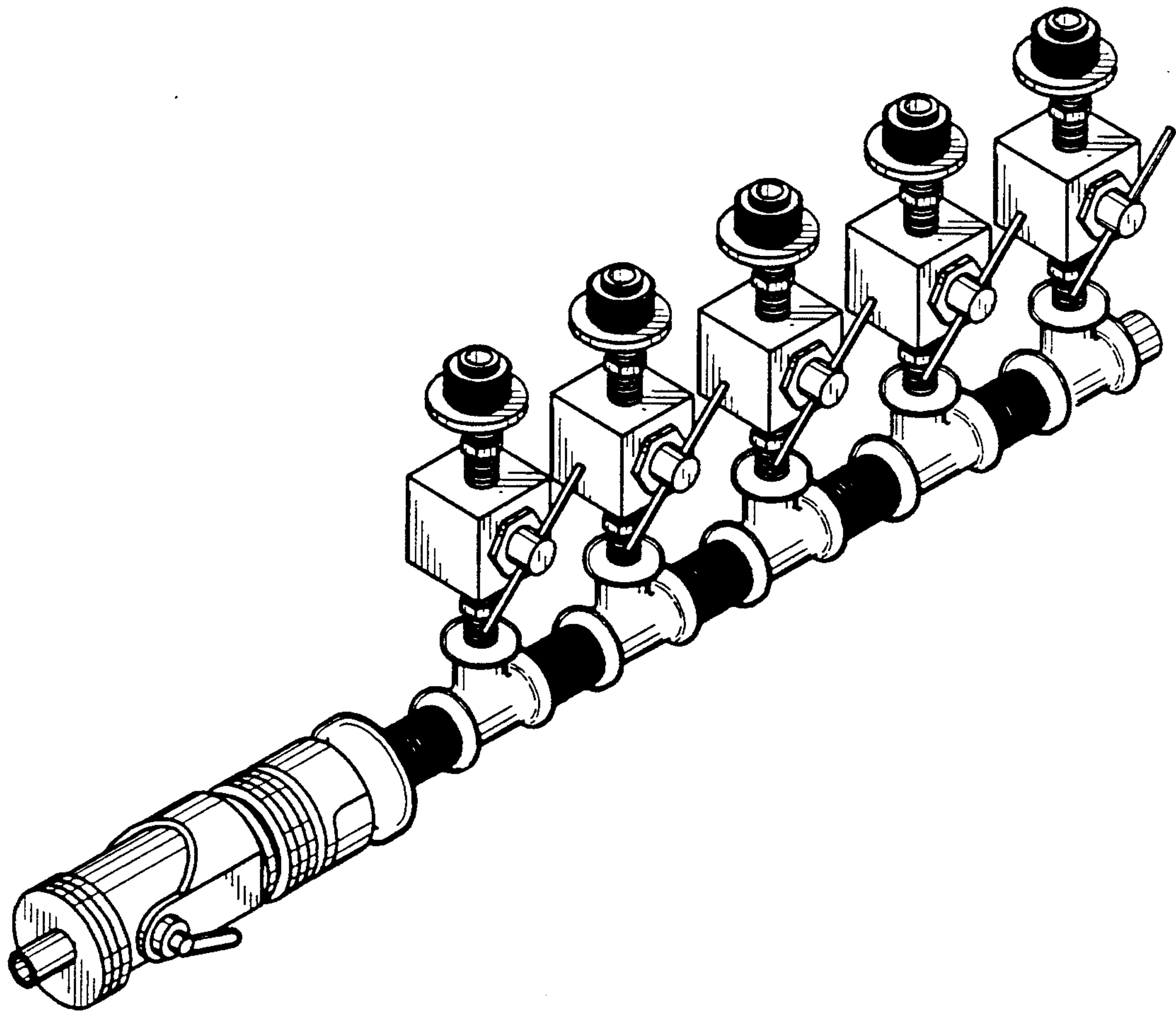


FIG. 1

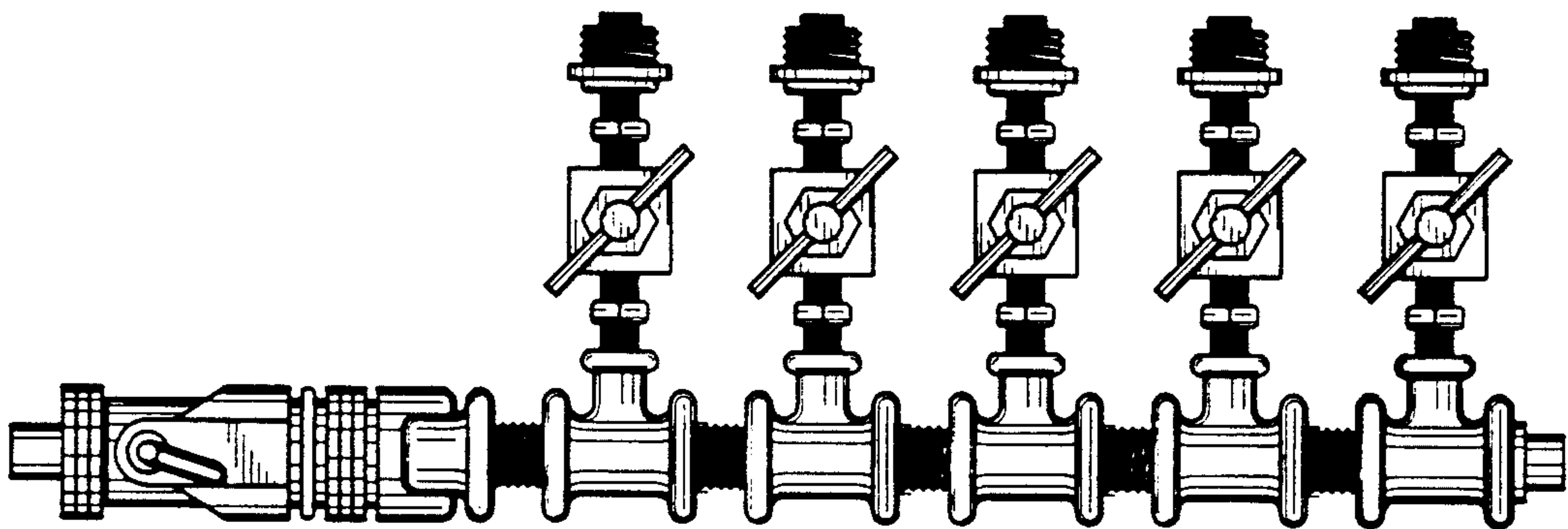
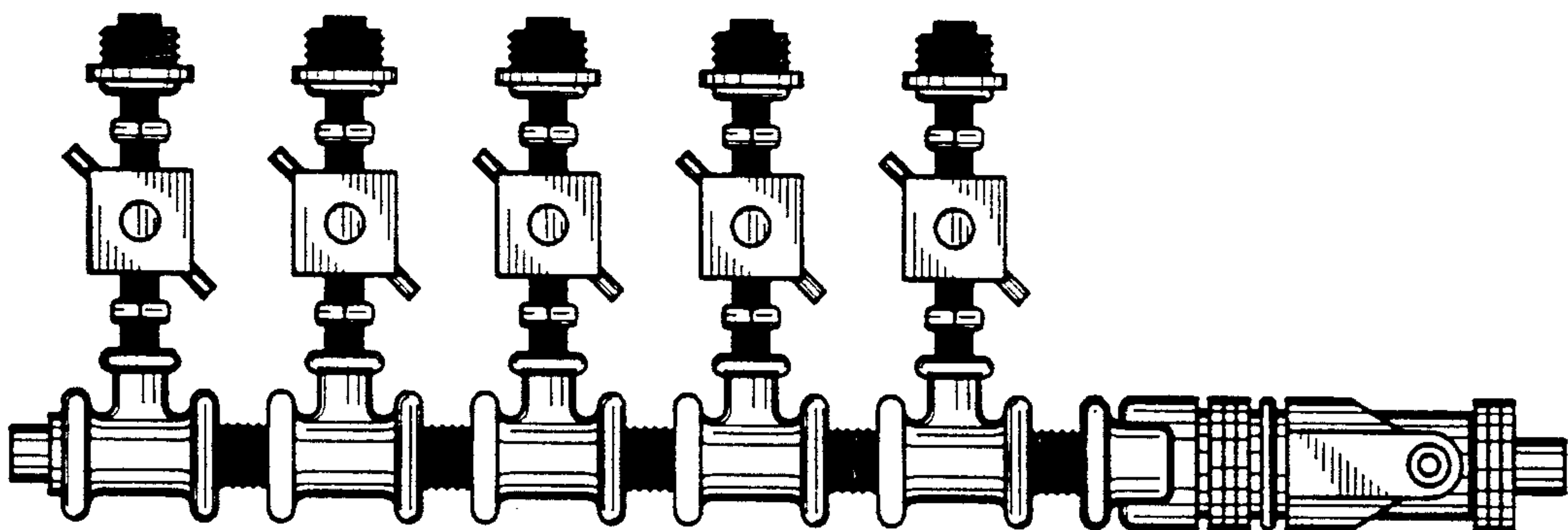
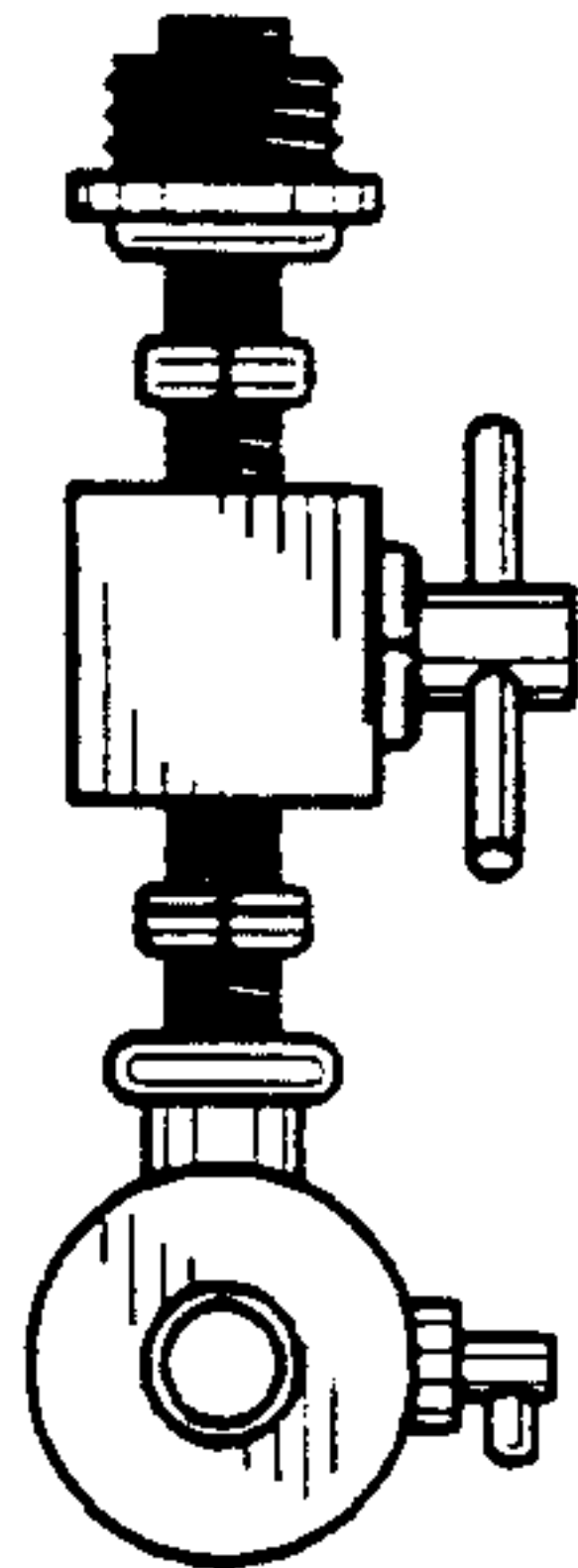


FIG. 2



*FIG. 3*



*FIG. 4*

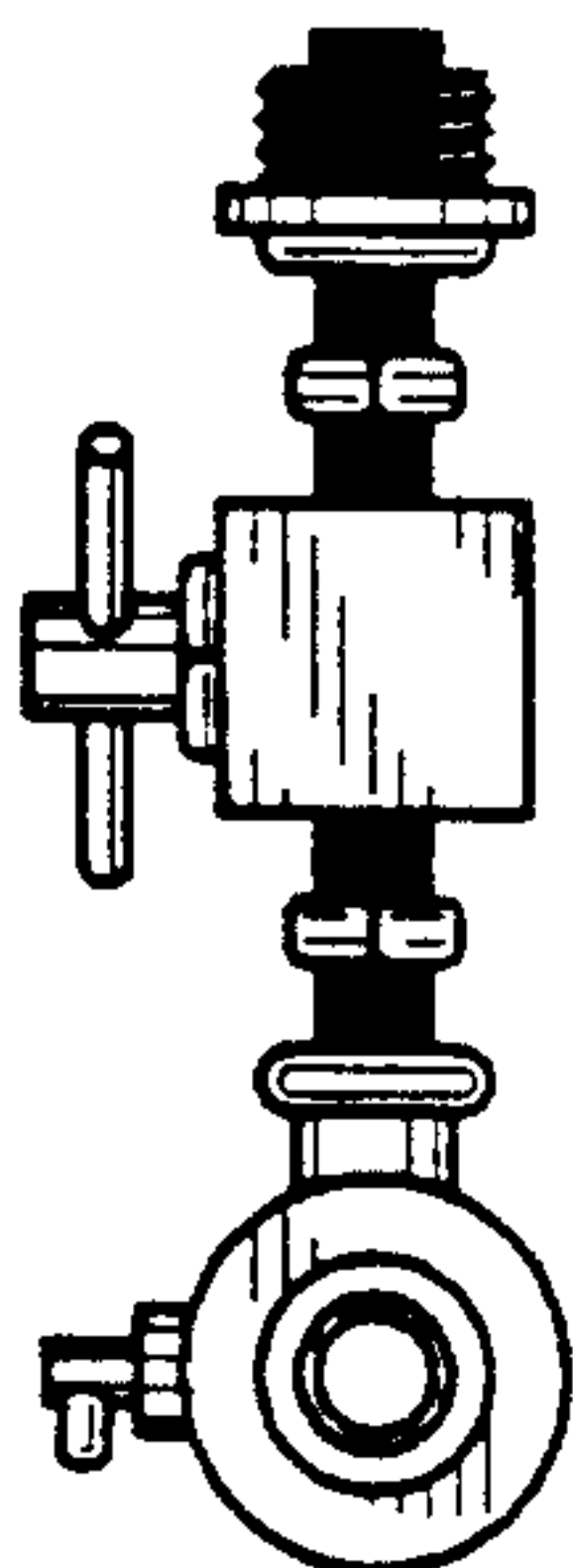


FIG. 5

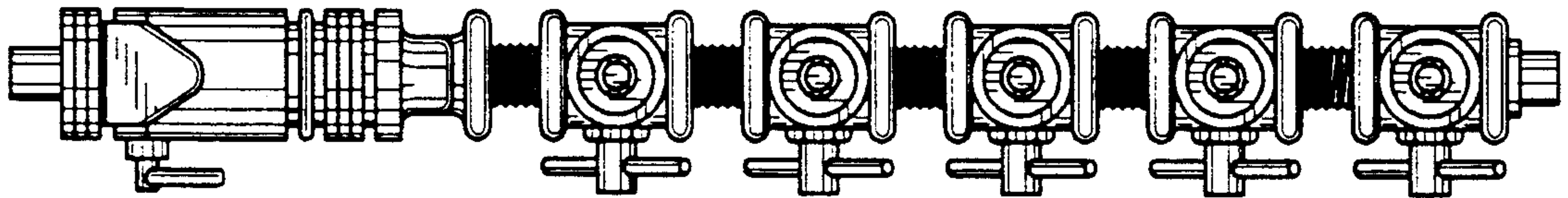
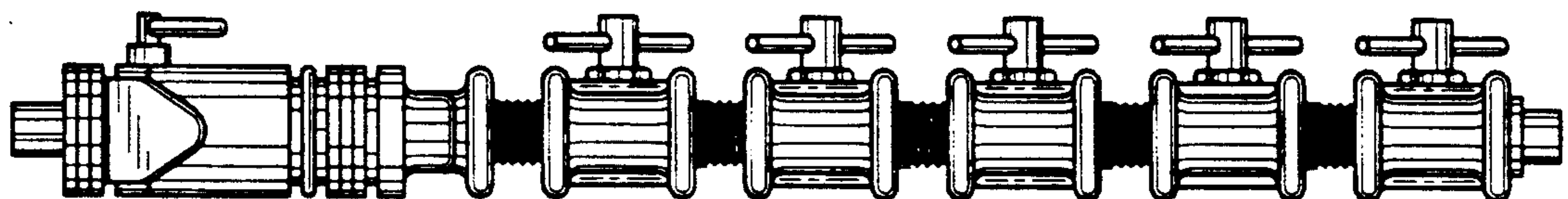


FIG. 6



*FIG. 7*

