



US00D346009S

United States Patent [19]

[11] Patent Number: Des. 346,009

Simonetti et al.

[45] Date of Patent: ** Apr. 12, 1994

[54] ROTARY SPRINKLER

[75] Inventors: Sergio G. Simonetti, Westport, Conn.; Paul C. Aquilina, Kitchener, Canada

[73] Assignee: Melnor Manufacturing, Ltd., Brantford, Canada

[**] Term: 14 Years

[21] Appl. No.: 841,735

[22] Filed: Feb. 25, 1992

[52] U.S. Cl. D23/220

[58] Field of Search 239/200-206, 239/211, 222.11-223, 230-233, 273, 275-276, 288, 288.3, 288.5, 390-392, 443-444, 456, 468, 505, 518-524, 556-558, DIG. 1; D23/213-222

[56] References Cited

U.S. PATENT DOCUMENTS

- D. 220,763 5/1971 Best D23/214
- D. 263,868 4/1982 Chew et al. D23/221
- D. 296,920 7/1988 Evans D23/214 X
- D. 313,269 12/1990 Clivio D23/220

Primary Examiner—Wallace R. Burke

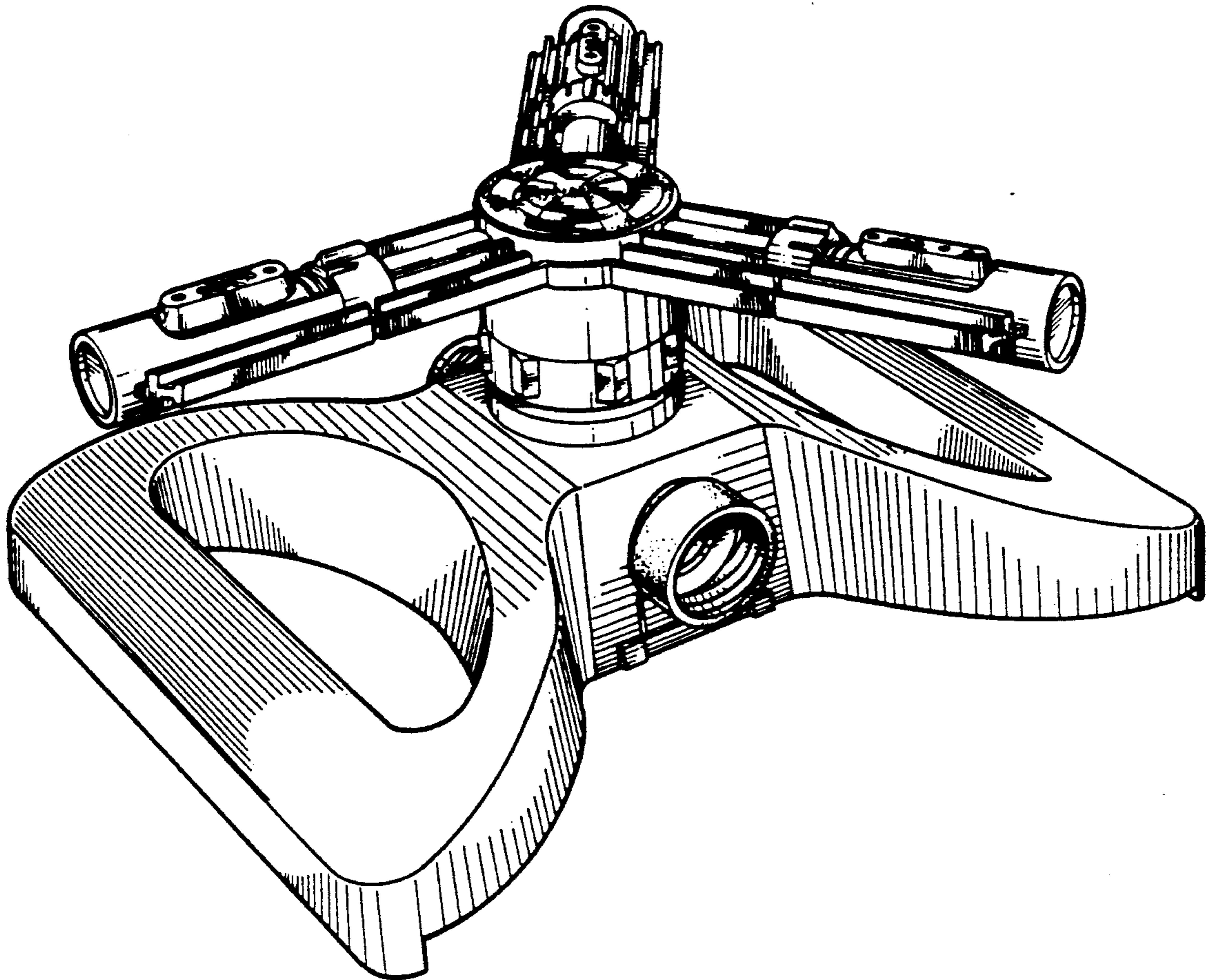
Assistant Examiner—M. H. Tung
Attorney, Agent, or Firm—Heiskell, Donelson, Bearman, Adams, Williams, & Caldwell

[57] CLAIM

The ornamental design for a rotary sprinkler, as shown and described.

DESCRIPTION

FIG. 1 is a perspective view of a rotary sprinkler showing our new design;
 FIG. 2 is a side elevational view thereof, the opposite side base being identical, the opposite side angled sprinkler arms are shown in FIG. 1;
 FIG. 3 is an end elevational view thereof, the opposite end elevational view being a mirror image;
 FIG. 4 is a top plan view thereof;
 FIG. 5 is a bottom plan view thereof;
 FIG. 6 is a perspective view of a second embodiment thereof;
 FIG. 7 is a side elevations view thereof, the opposite side being a mirror image, the arms rotated 90 degrees;
 FIG. 8 is an end elevational view thereof, the opposite end being a mirror image, the arms rotated 90 degrees;
 FIG. 9 is a top plan thereof; and,
 FIG. 10 is a bottom plan view thereof.



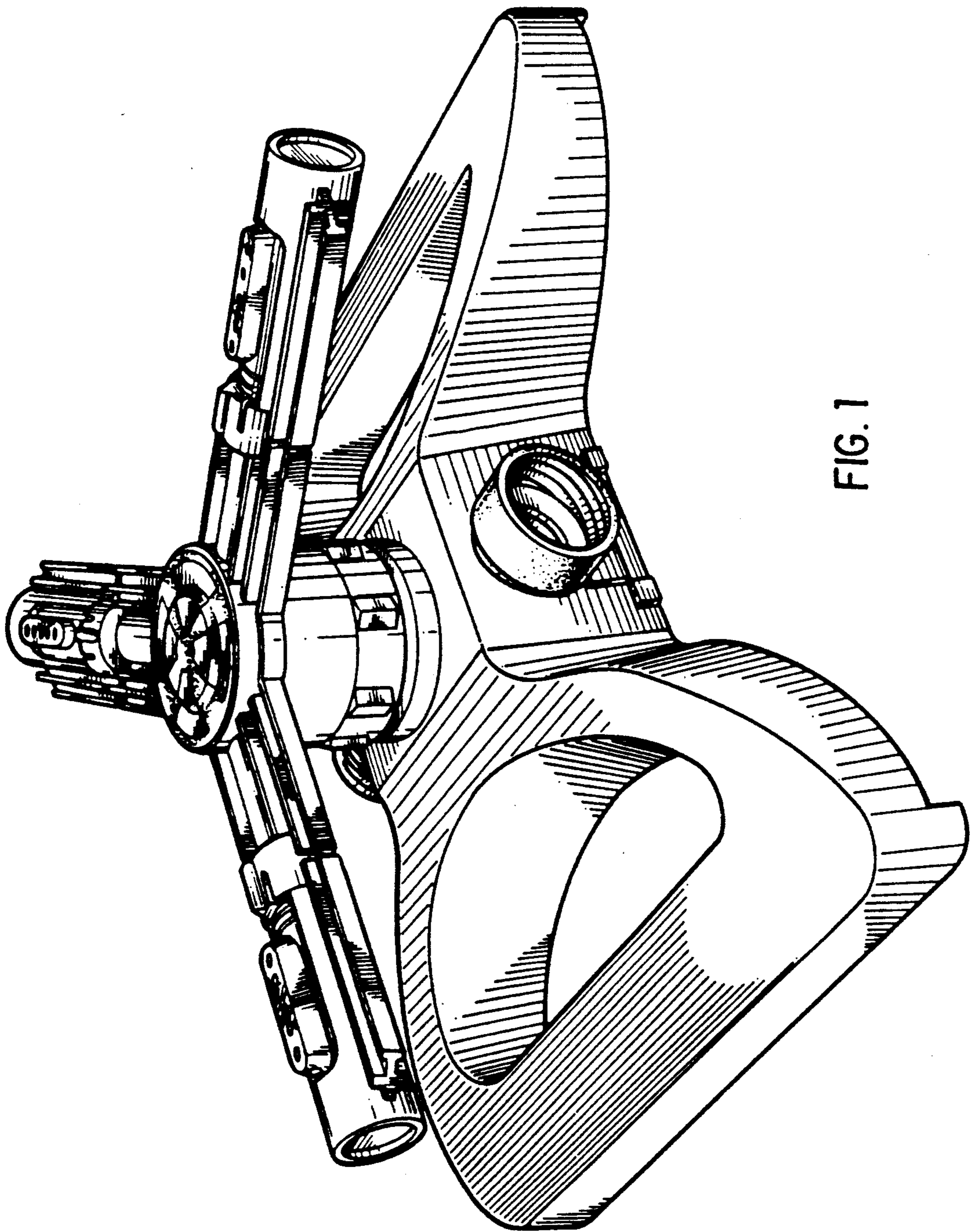


FIG. 1

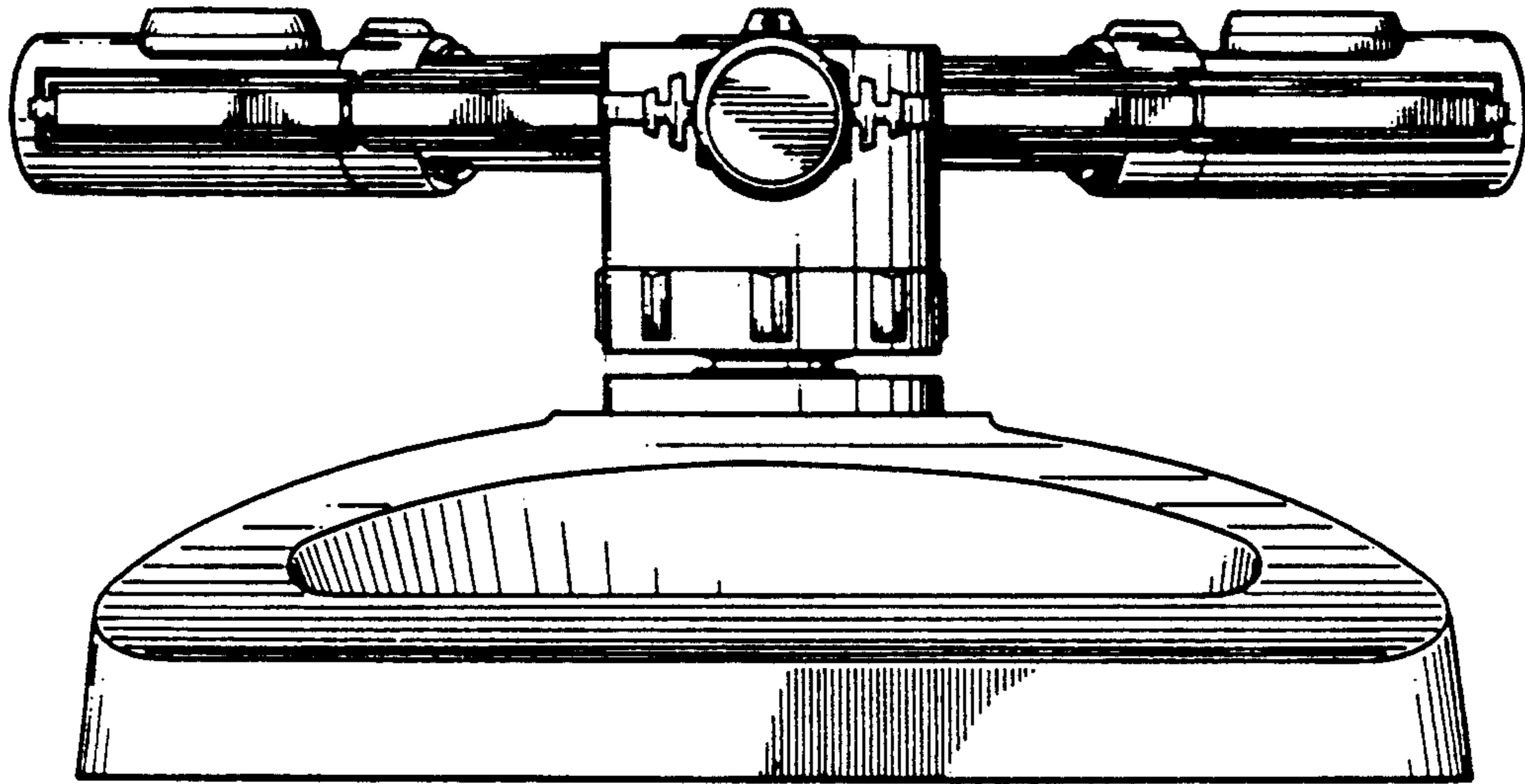


FIG. 2

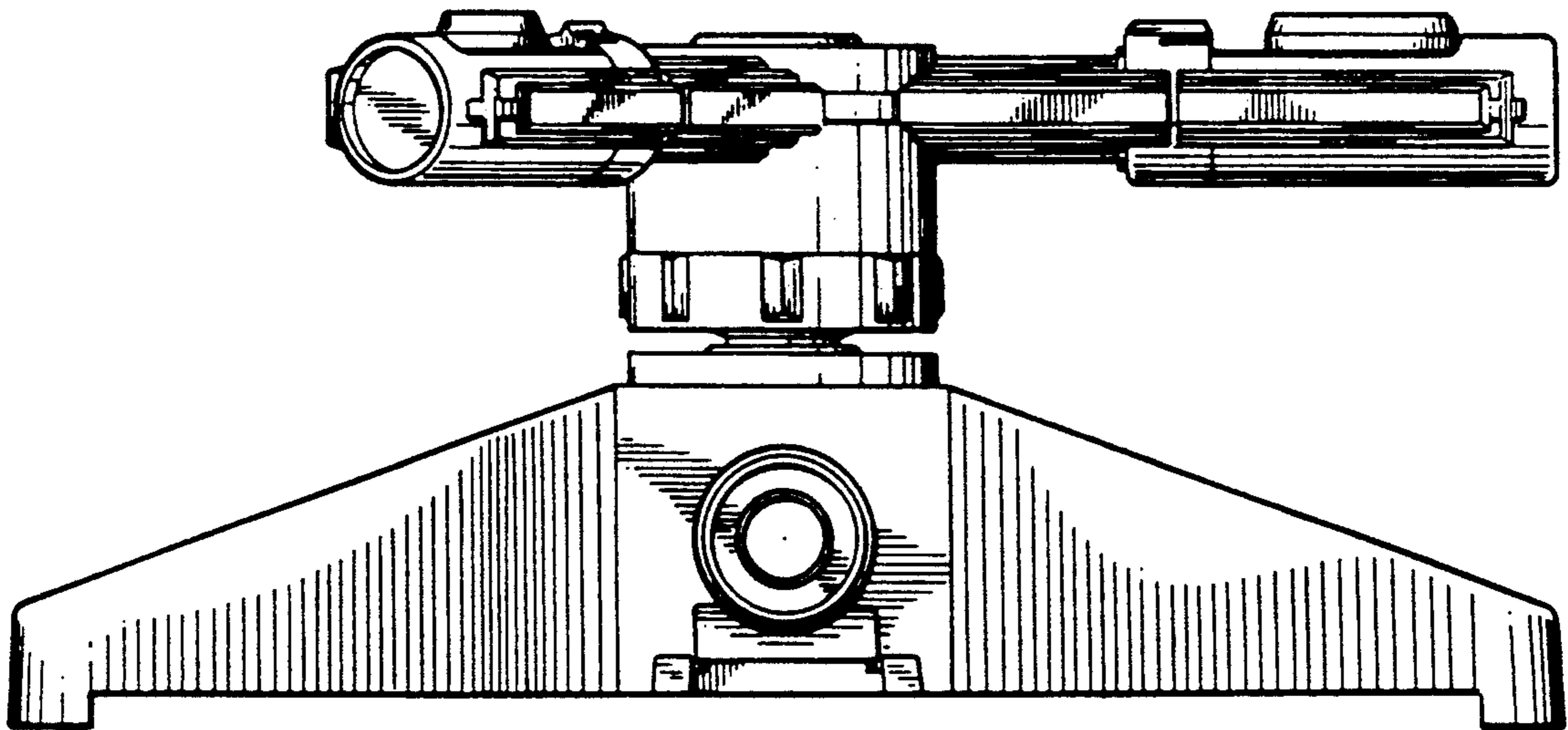


FIG. 3

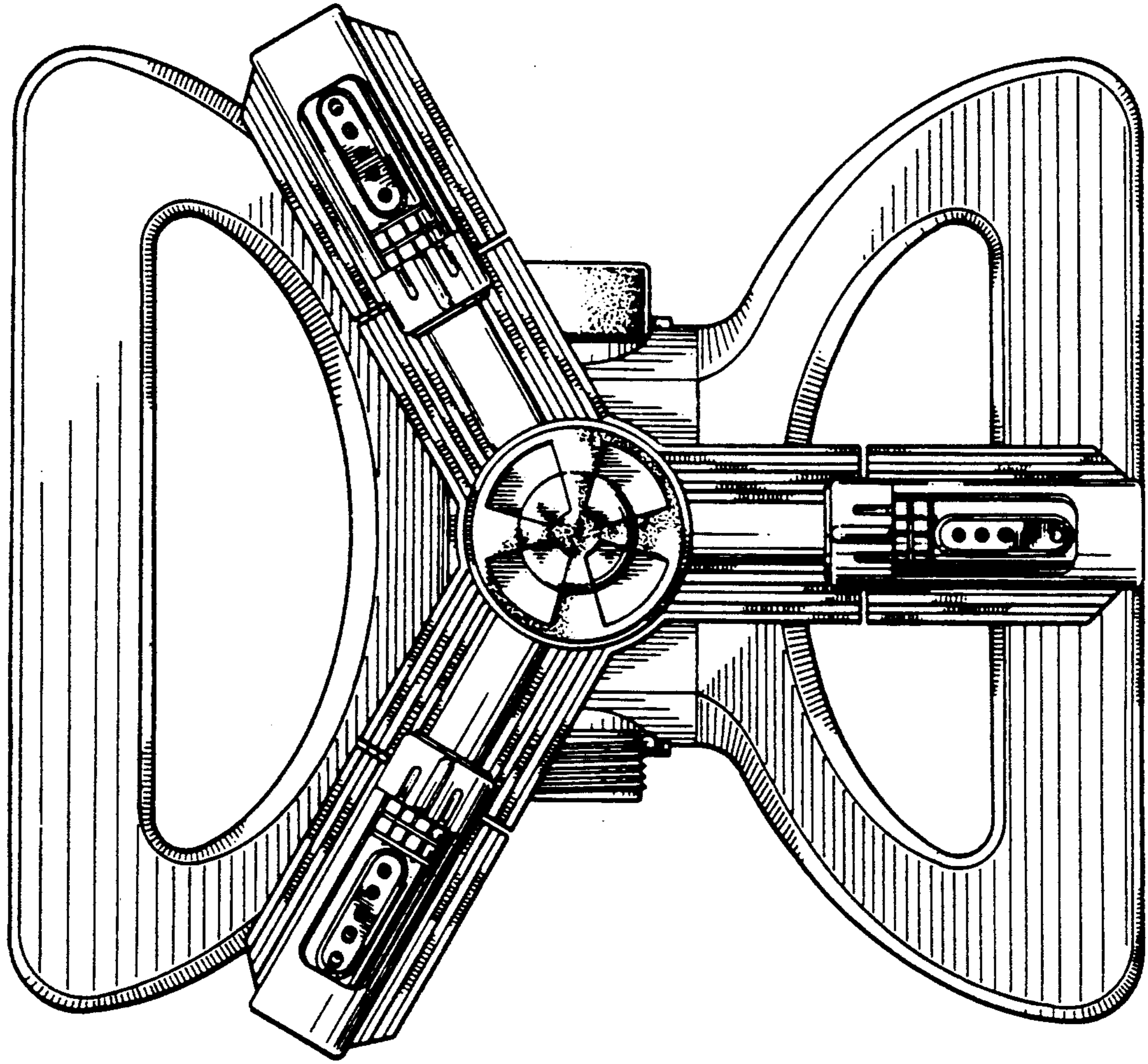


FIG. 4

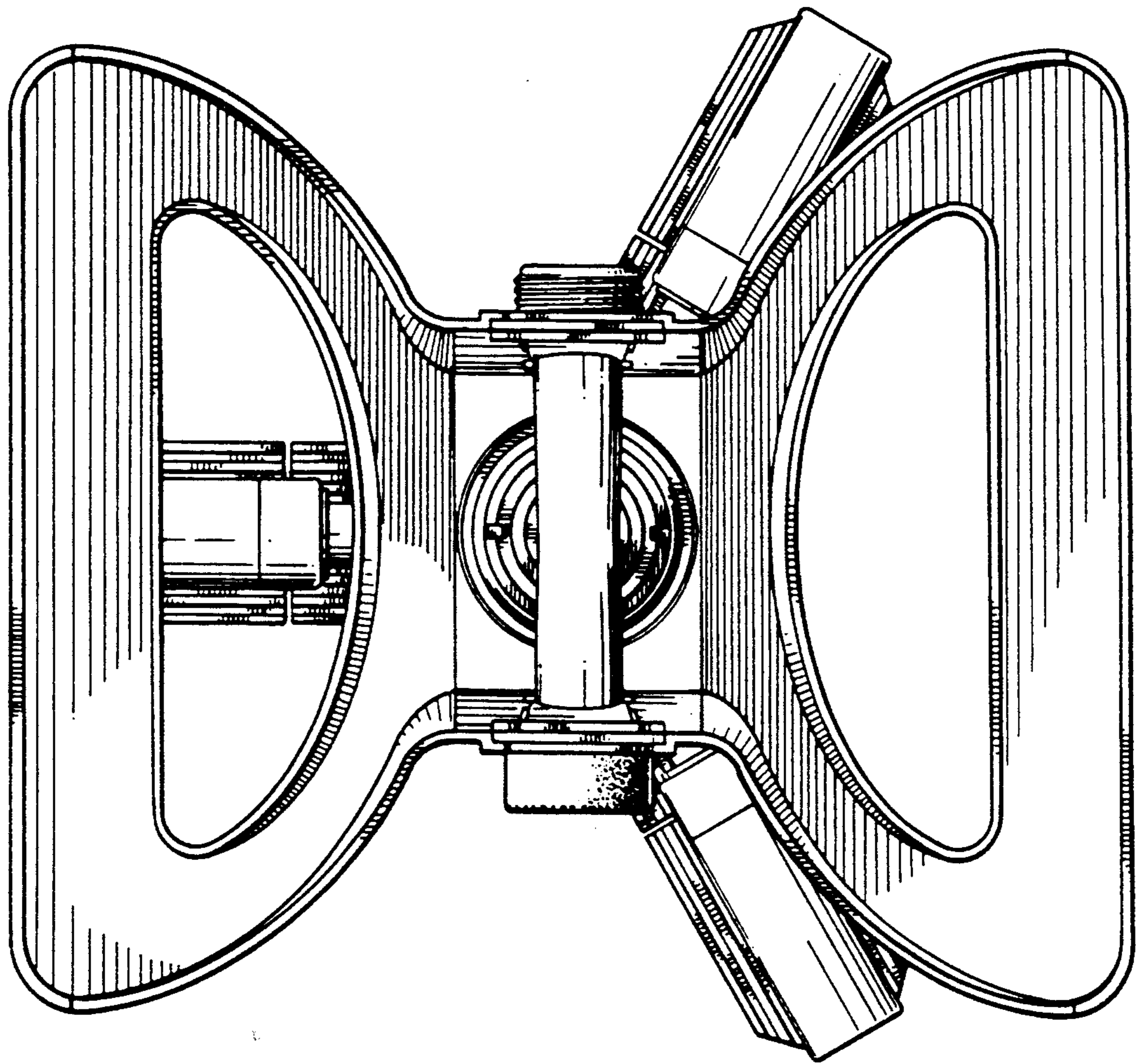


FIG. 5

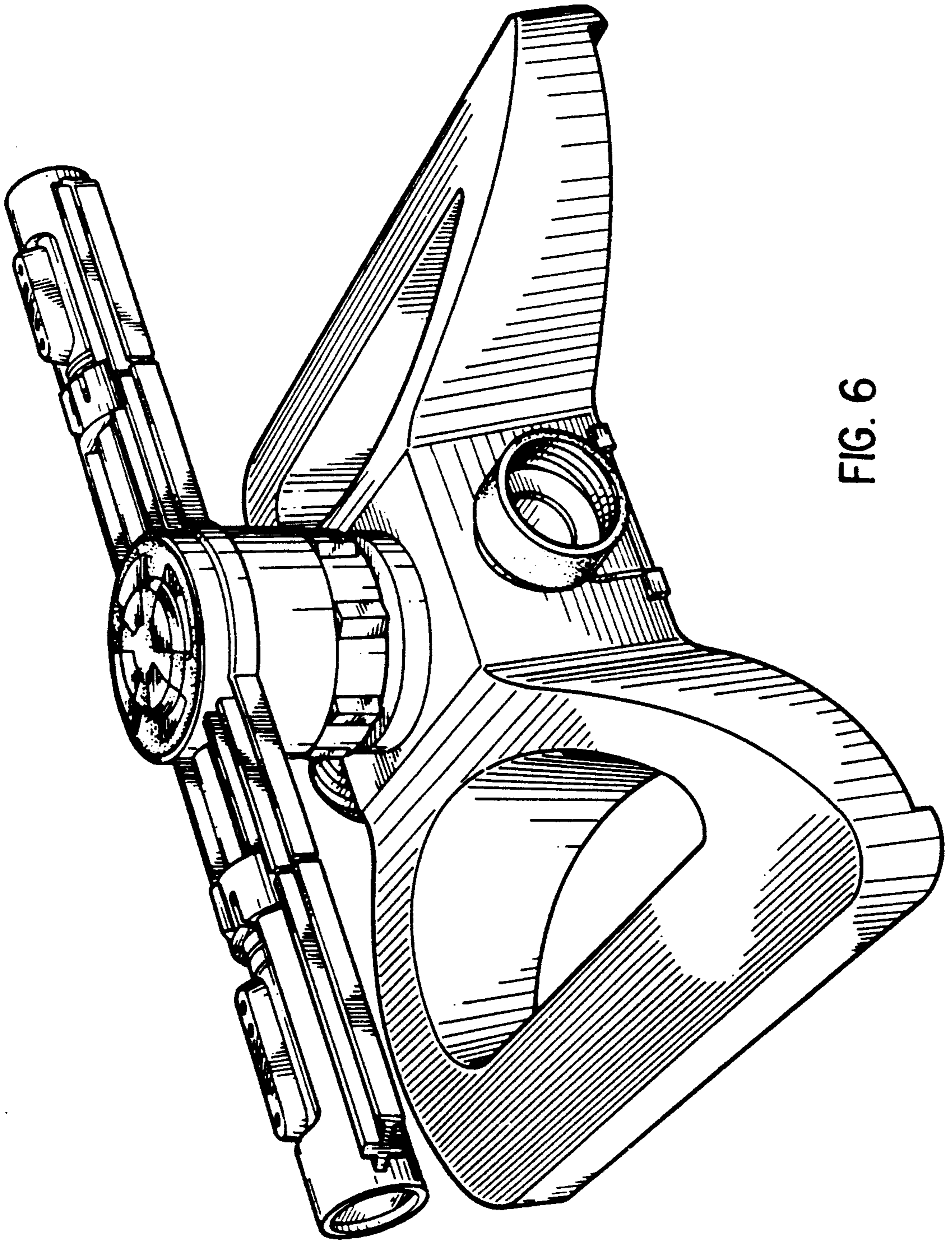


FIG. 6

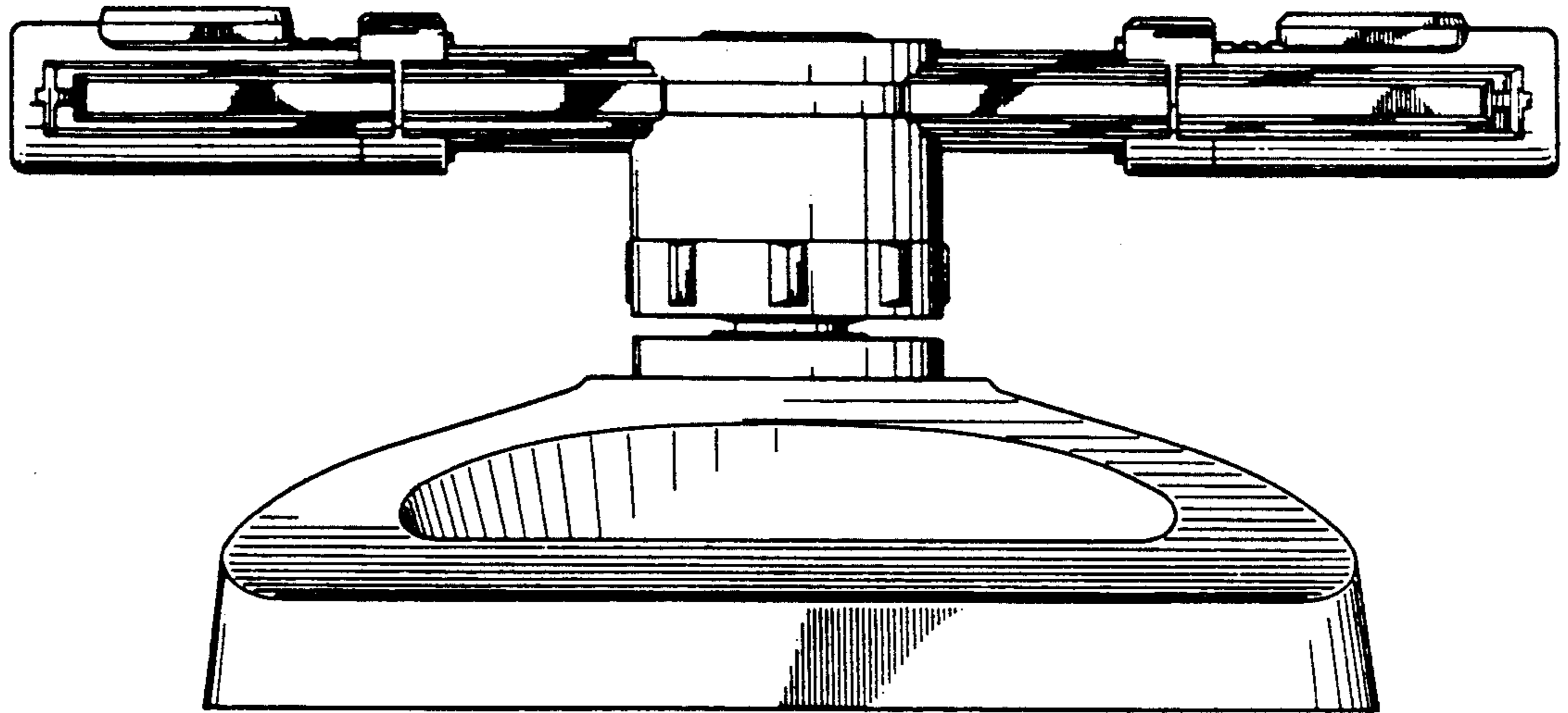


FIG. 7

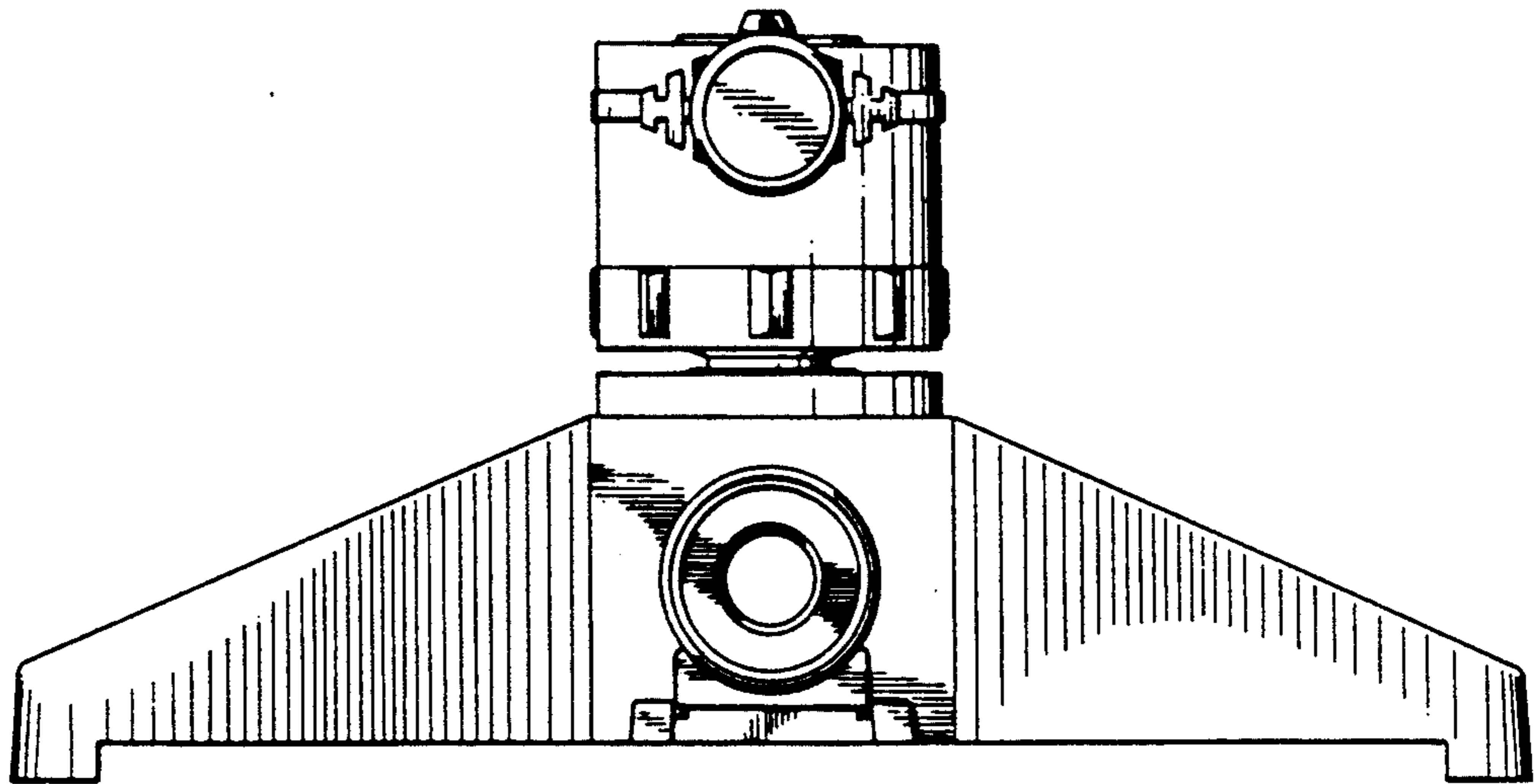


FIG. 8

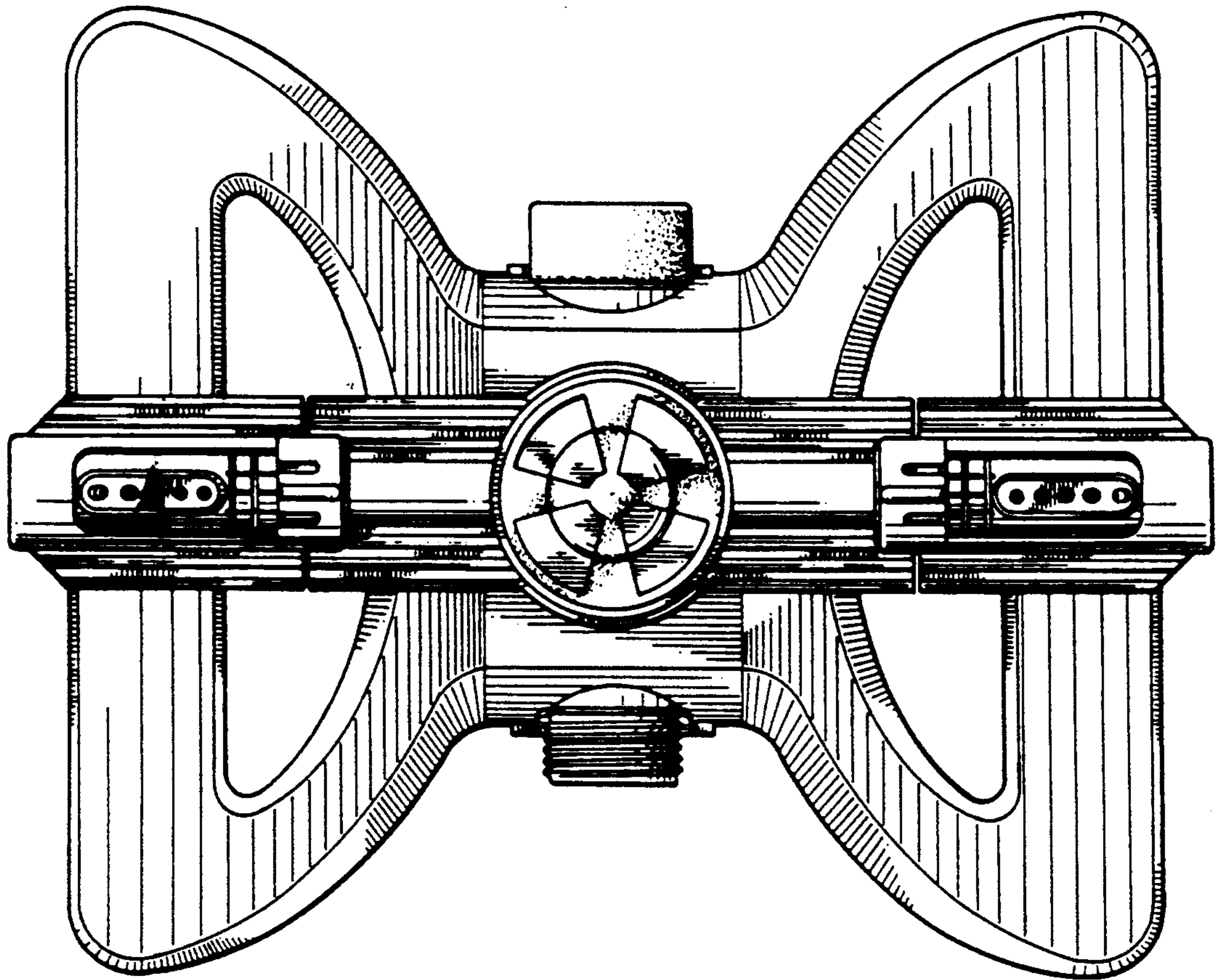


FIG. 9

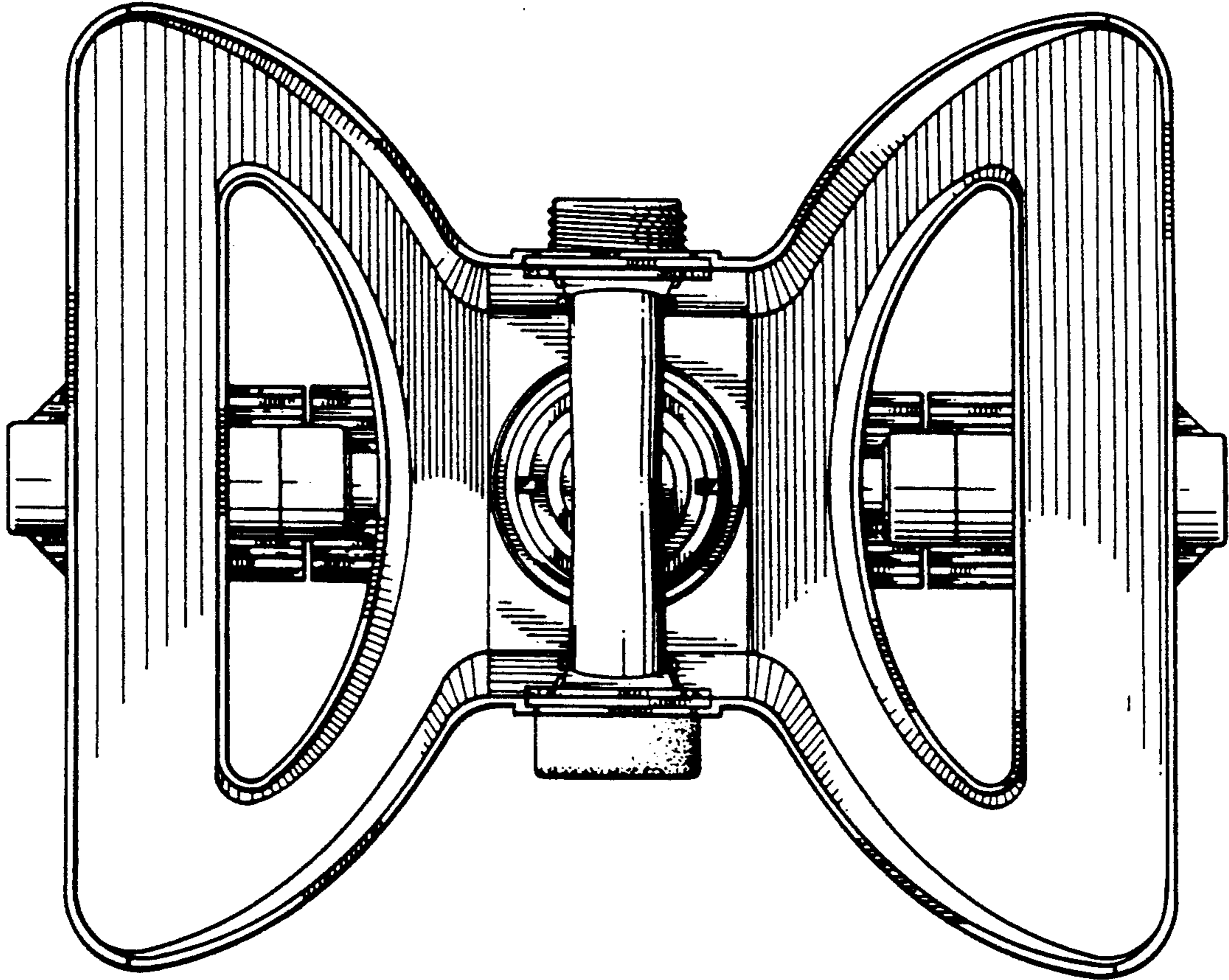


FIG. 10