



US00D346006S

United States Patent [19]

Sakurai et al.

[11] Patent Number: Des. 346,006

[45] Date of Patent: ** Apr. 12, 1994

[54] FISHING REEL

[75] Inventors: Tomoharu Sakurai, Wakayama; Seiji Myojo, Sakai, both of Japan

[73] Assignee: Shimano Inc., Sakai, Japan

[**] Term: 14 Years

[21] Appl. No.: 728,992

[22] Filed: Jul. 10, 1991

[30] Foreign Application Priority Data

Jan. 16, 1991 [JP]	Japan	3-763
[52] U.S. Cl.		D22/140
[58] Field of Search		242/257-262, 242/279, 288, 310, 313; D22/140, 141

[56]

References Cited

U.S. PATENT DOCUMENTS

D. 300,166	3/1989	Myojo	D22/140
D. 326,306	5/1992	Sakurai	D22/140
5,127,603	7/1992	Morimoto	242/279

Primary Examiner—A. Hugo Word
Assistant Examiner—Doris V. Coles
Attorney, Agent, or Firm—Dickstein, Shapiro & Morin

[57]

CLAIM

The ornamental design of a fishing reel, as shown and described.

DESCRIPTION

FIG. 1 is a left side view of the fishing reel; FIG. 2 is a front view of the fishing reel; FIG. 3 is a top plan view of the fishing reel; FIG. 4 is a bottom view; FIG. 5 is a right side view of the fishing reel; FIG. 6 is a rear view of the fishing reel; and, FIGS. 7 and 8 are perspective views of the fishing reel, respectively.

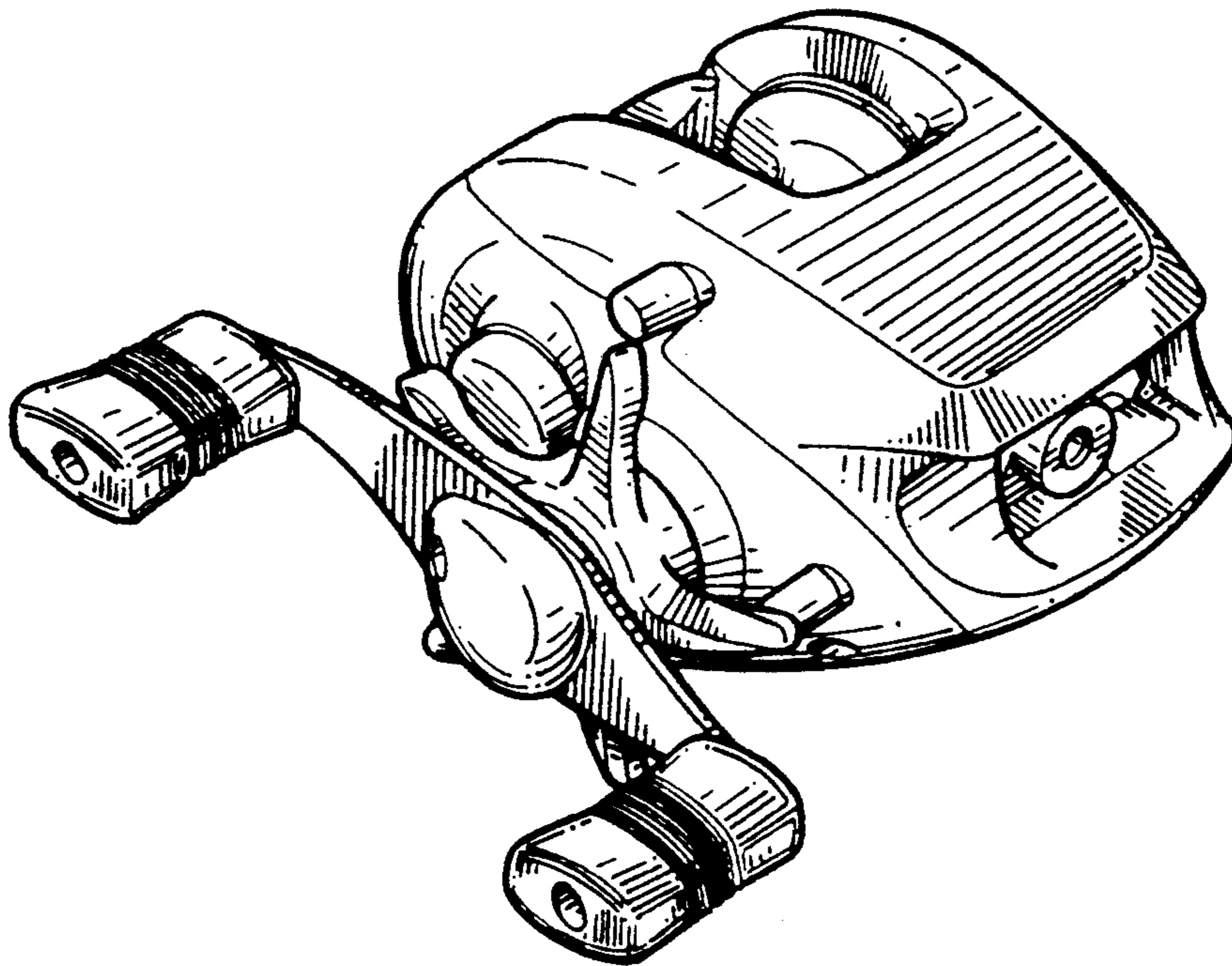


Fig. 2

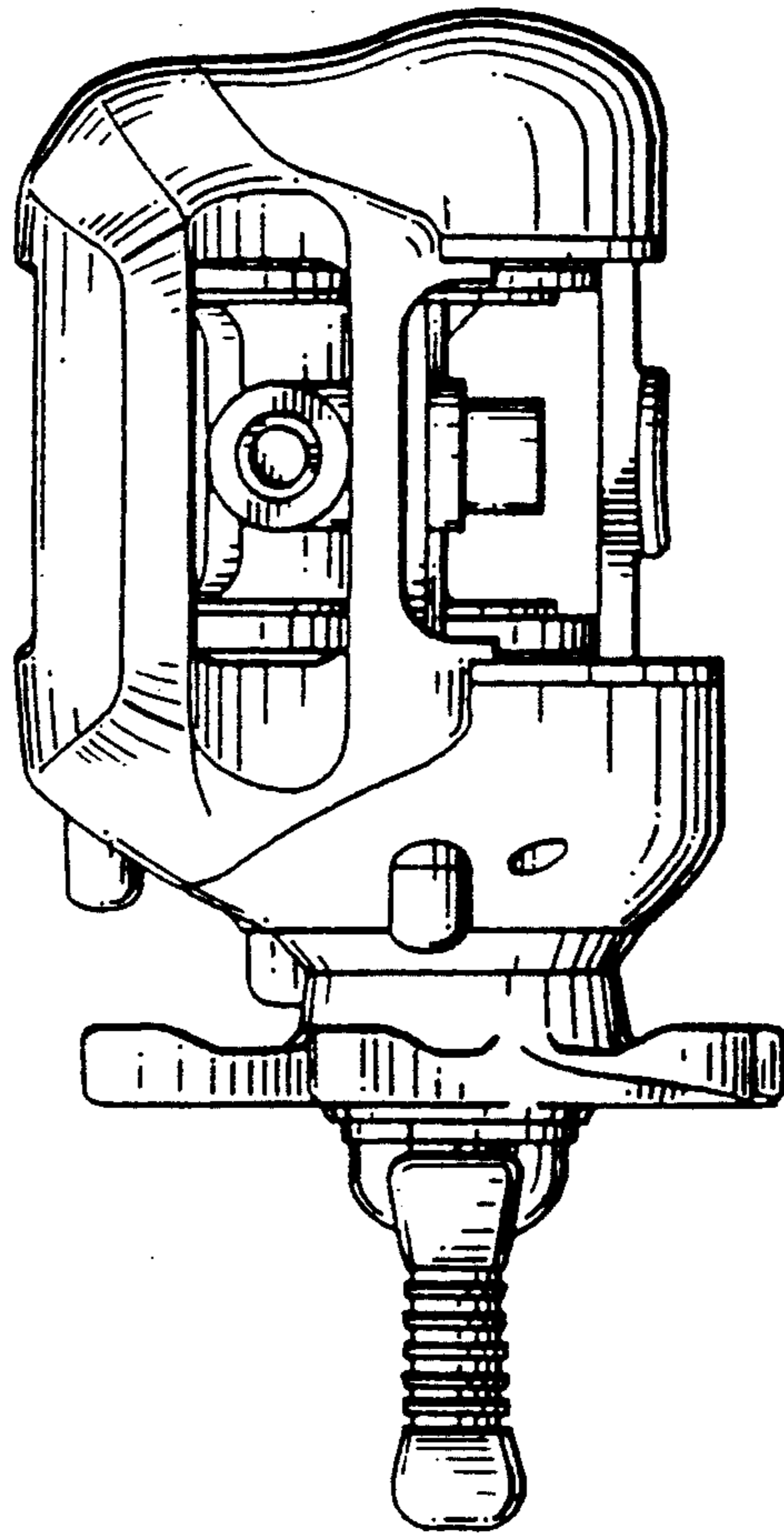


Fig. 1

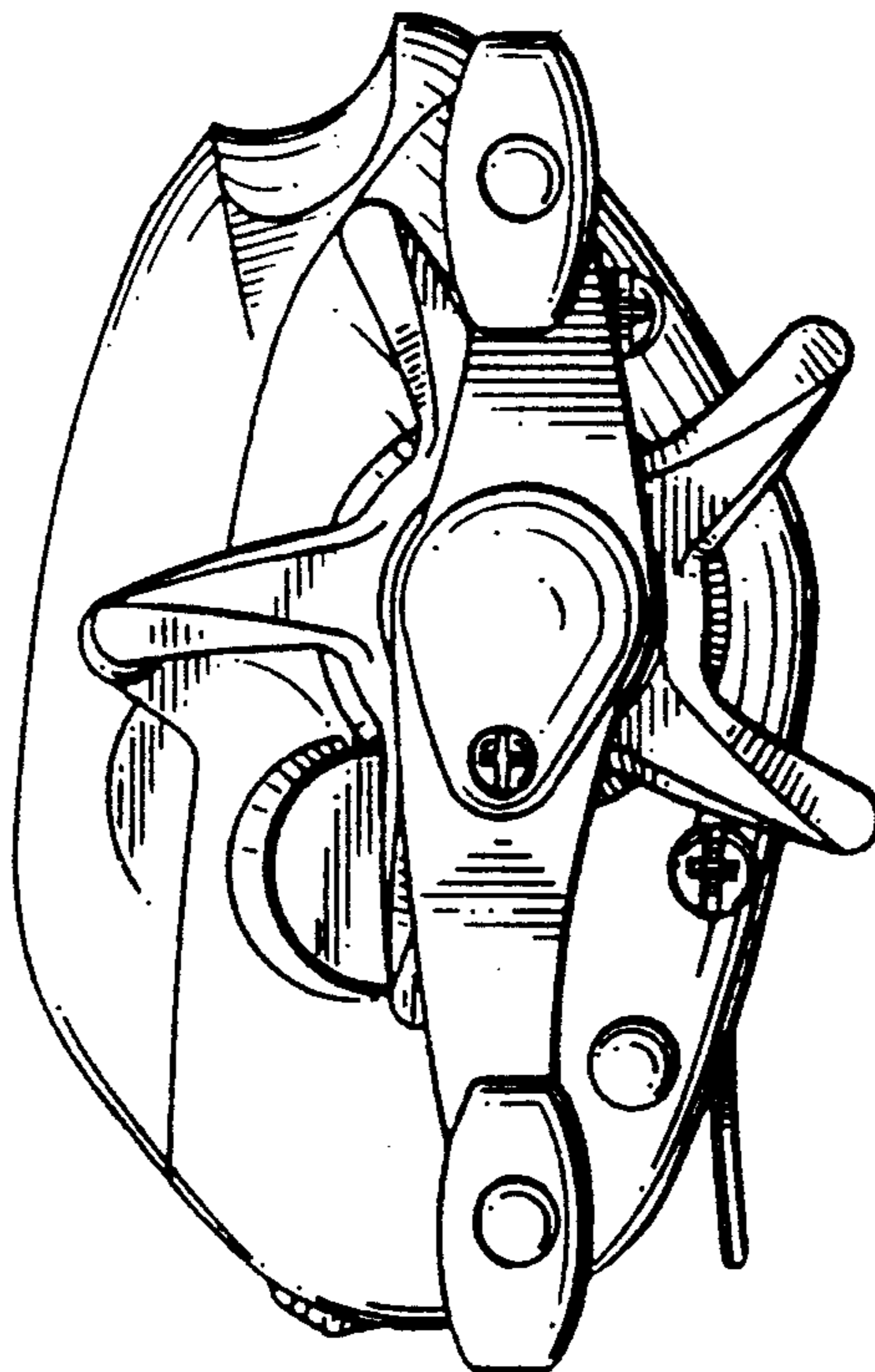


Fig. 4

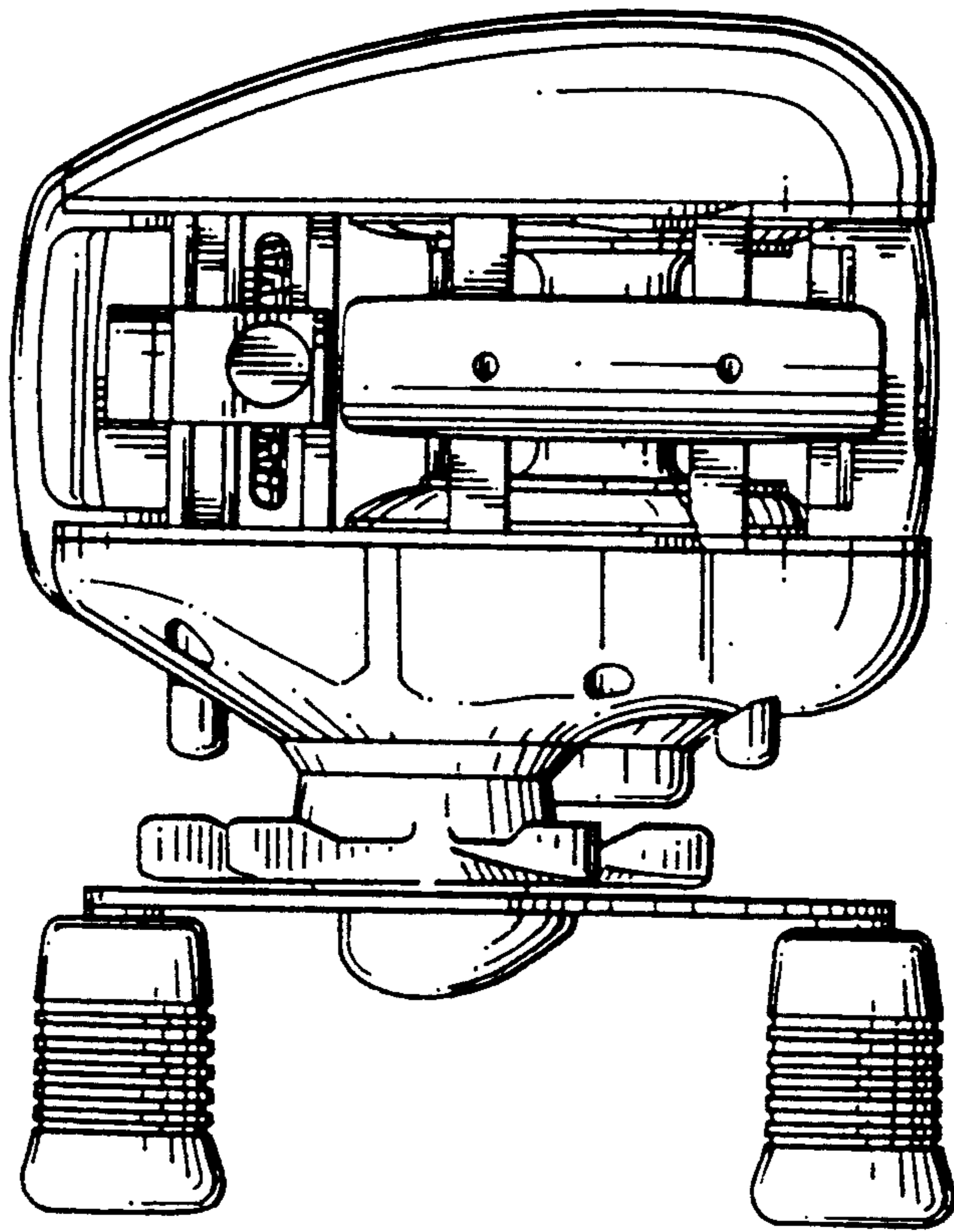


Fig. 3

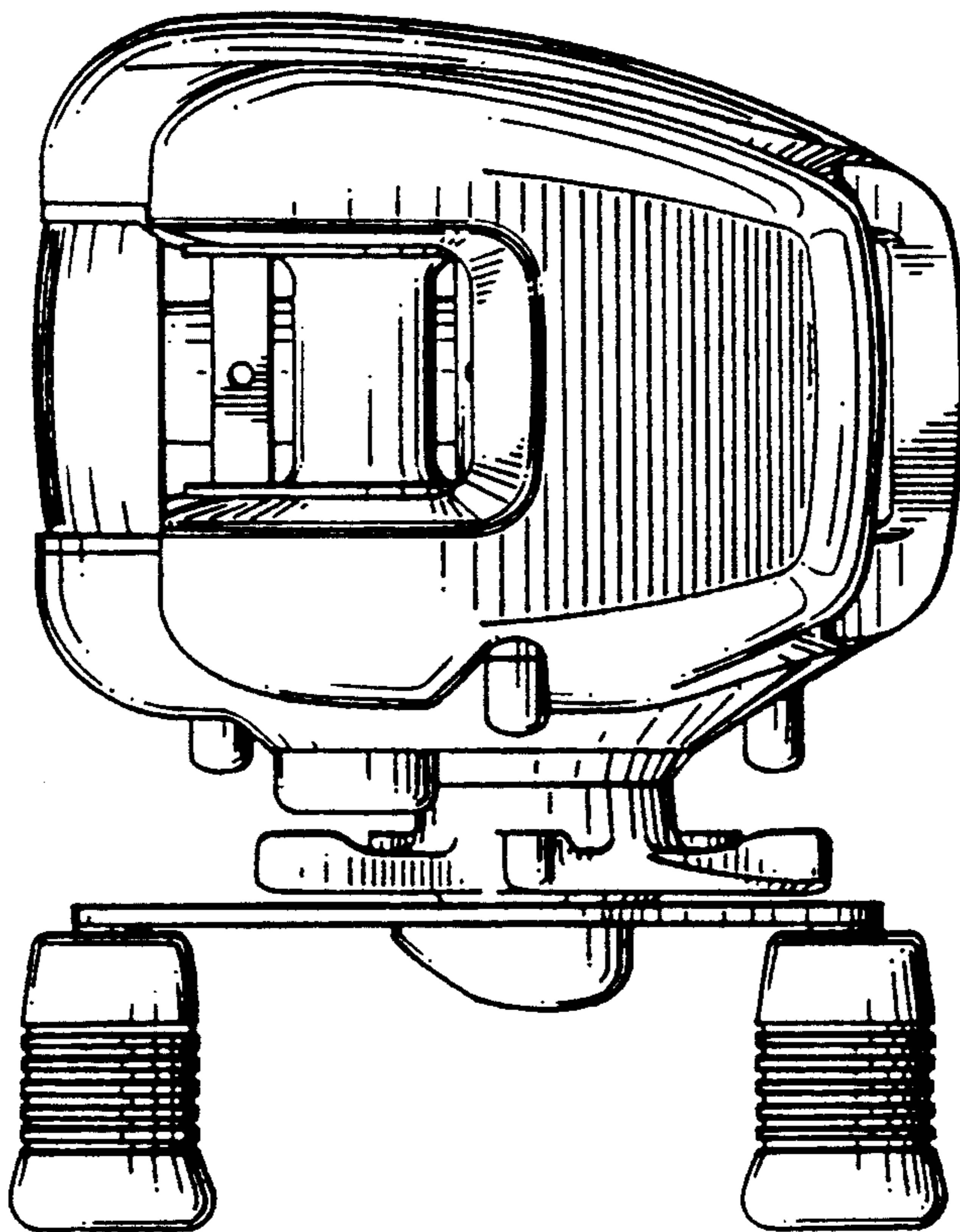


Fig. 6

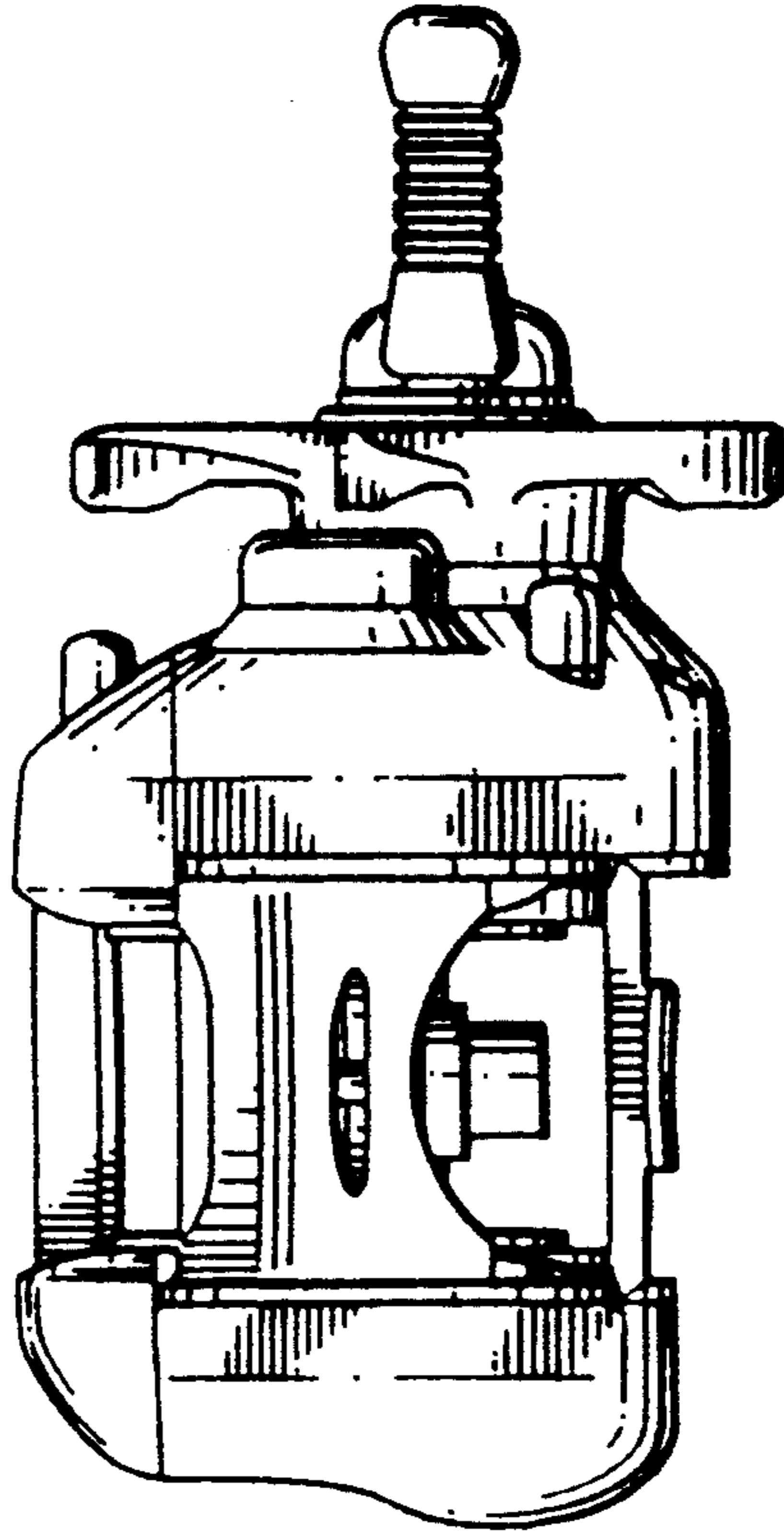


Fig. 5

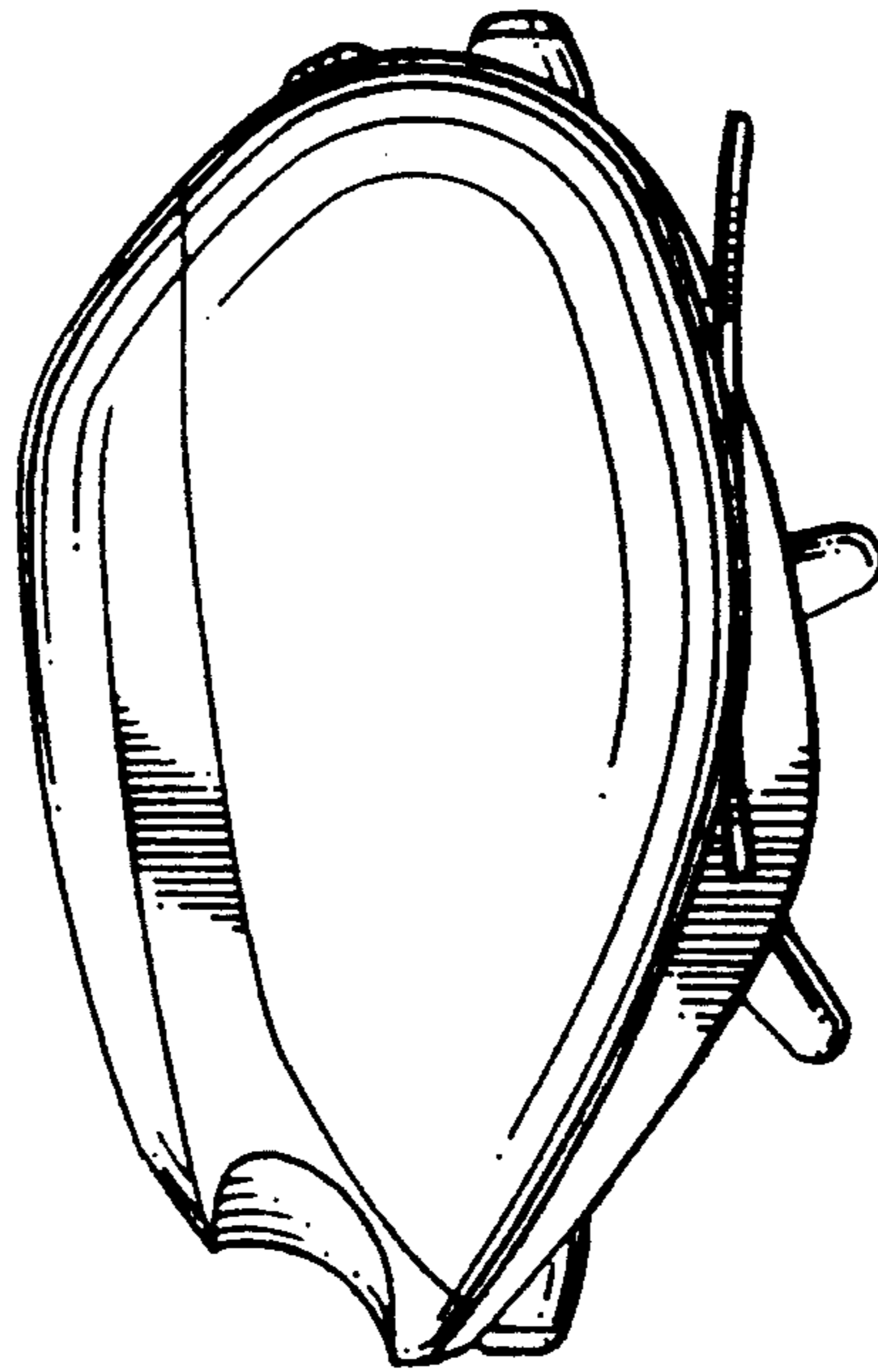


Fig. 7

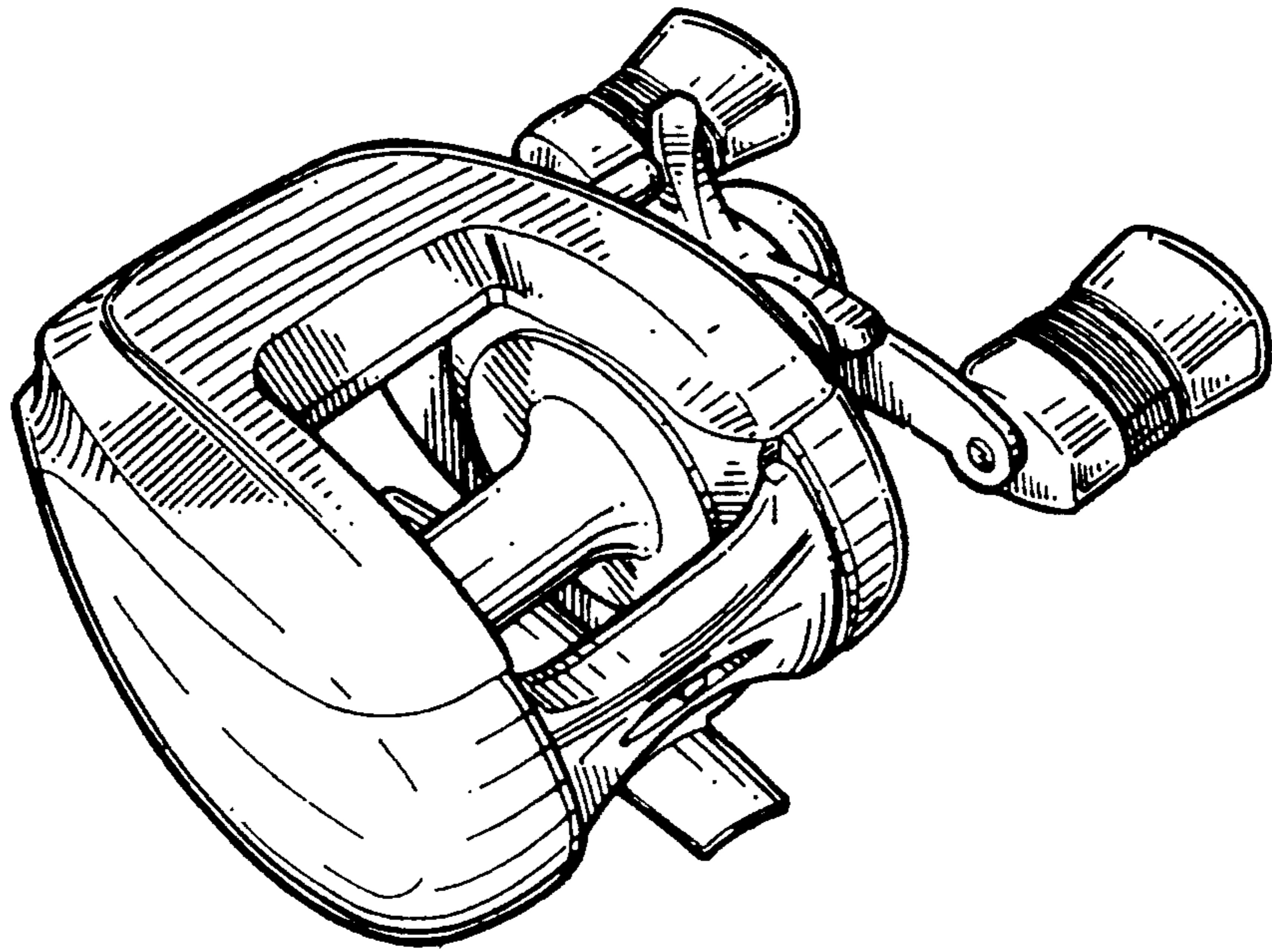


Fig. 8

