



US00D346001S

United States Patent [19]

[11] Patent Number: **Des. 346,001**

Stillinger et al.

[45] Date of Patent: **** Apr. 12, 1994**

[54] **TOSSING BALL**

[75] Inventors: **Scott H. Stillinger, Monte Sereno;
Thomas H. Grimm, Menlo Park;
Christopher S. Page; William A.
Scott, both of Palo Alto, all of Calif.**

[73] Assignee: **OddzOn Products, Inc., Campbell,
Calif.**

[**] Term: **14 Years**

[21] Appl. No.: **4,428**

[22] Filed: **Feb. 4, 1993**

[52] U.S. Cl. **D21/204**

[58] Field of Search **273/428, 423, 65 EE,
273/65 R, 65 EC, 65 EF, 58 R; D21/203, 204**

[56] **References Cited**

U.S. PATENT DOCUMENTS

- 2,611,999 9/1952 Mikolay .
- 3,225,488 12/1965 Goldfarb .
- 3,256,020 6/1966 Smith .
- 3,437,340 4/1969 Grise .

- 4,021,041 5/1977 Goldfarb et al. .
- 4,531,737 7/1985 Jacobson et al. .
- 4,930,777 6/1990 Holenstein .
- 4,943,066 7/1990 Lathim et al. 273/428
- 5,228,690 7/1993 Rudell et al. 273/65 EC

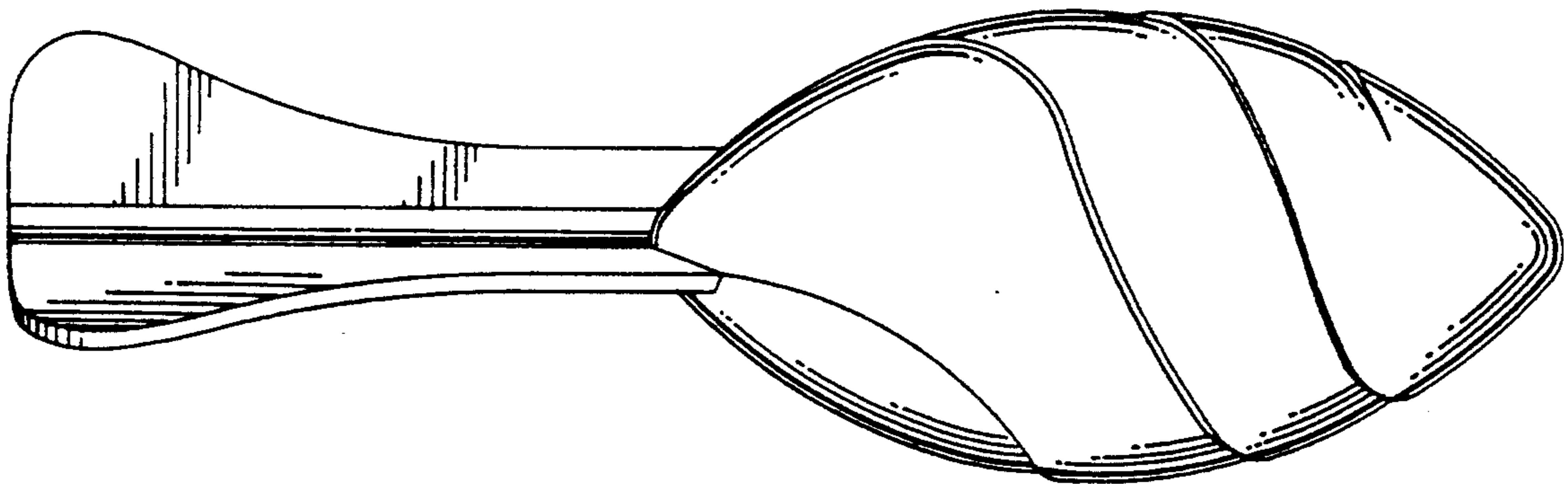
Primary Examiner—Melvin B. Feifer
Attorney, Agent, or Firm—Kolisch, Hartwell,
Dickinson, McCormack & Heuser

[57] **CLAIM**

The ornamental design for a tossing ball, as shown and described.

DESCRIPTION

FIG. 1 is a side elevation of a tossing ball showing our new design;
FIG. 2 is the opposite side elevation thereof;
FIG. 3 is a front end view thereof;
FIG. 4 is a rear end view thereof;
FIG. 5 is a side elevation of a second embodiment thereof;
FIG. 6 is the opposite side elevation of FIG. 5;
FIG. 7 is a front end view thereof; and,
FIG. 8 is a rear end view thereof.



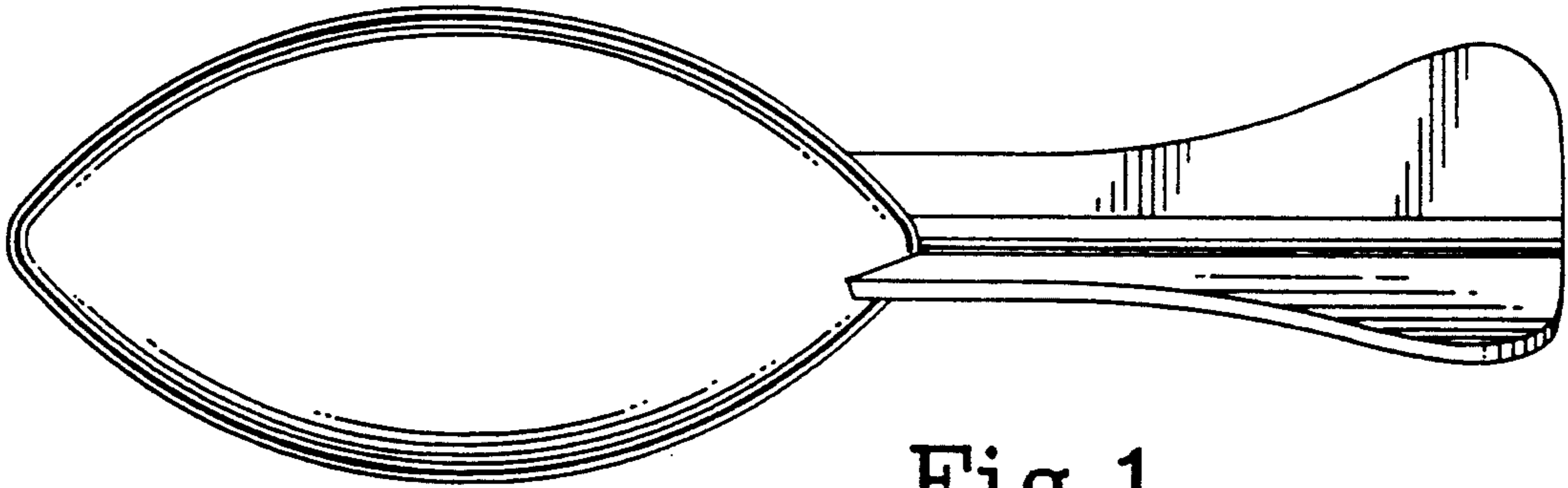


Fig. 1

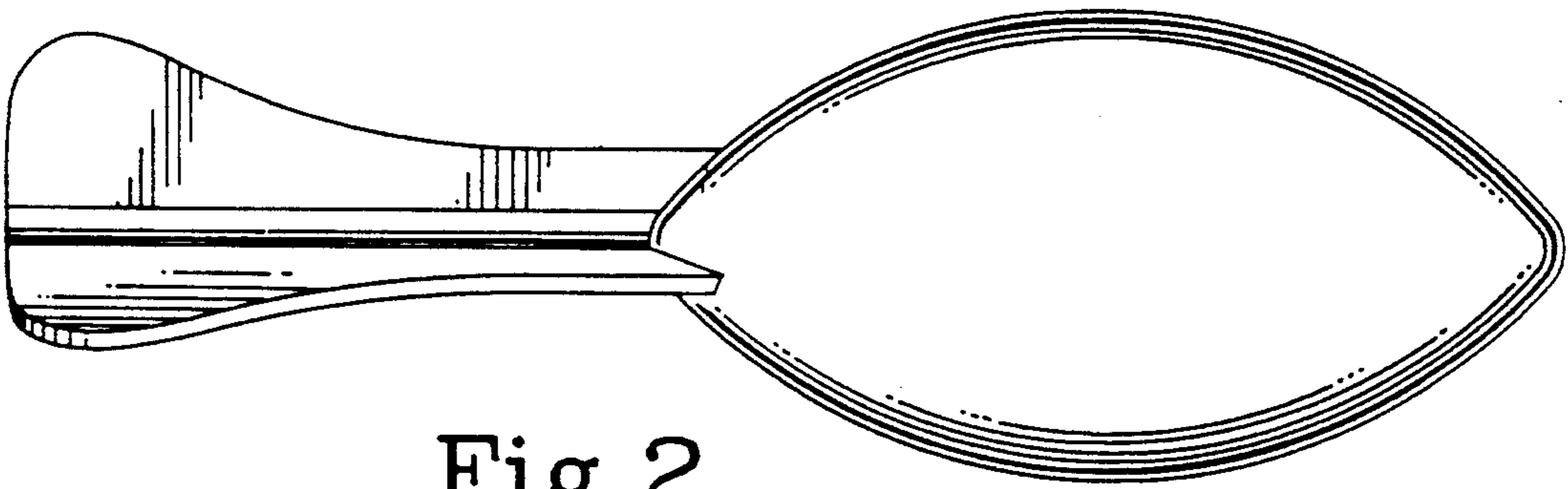


Fig. 2

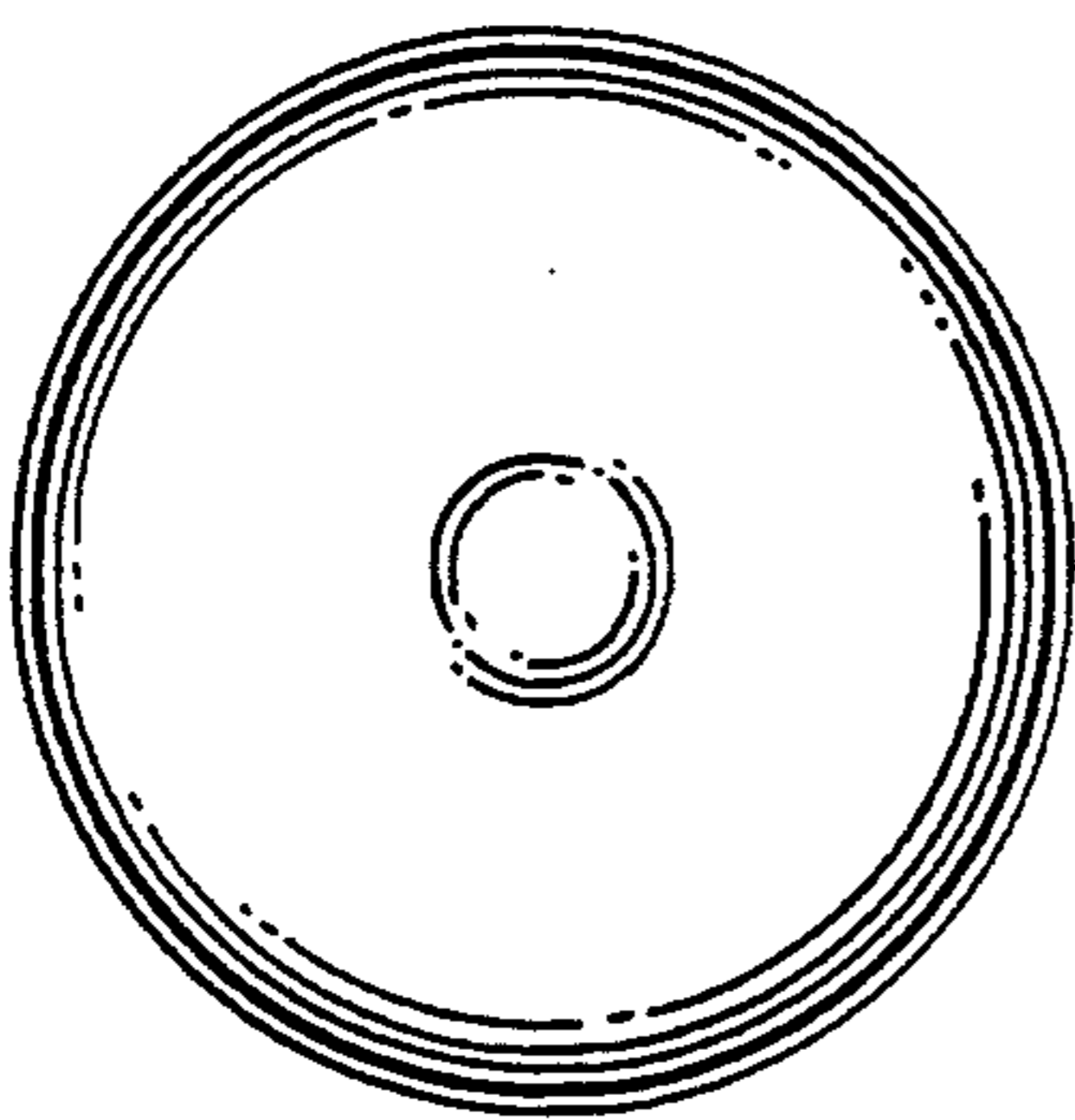


Fig. 3

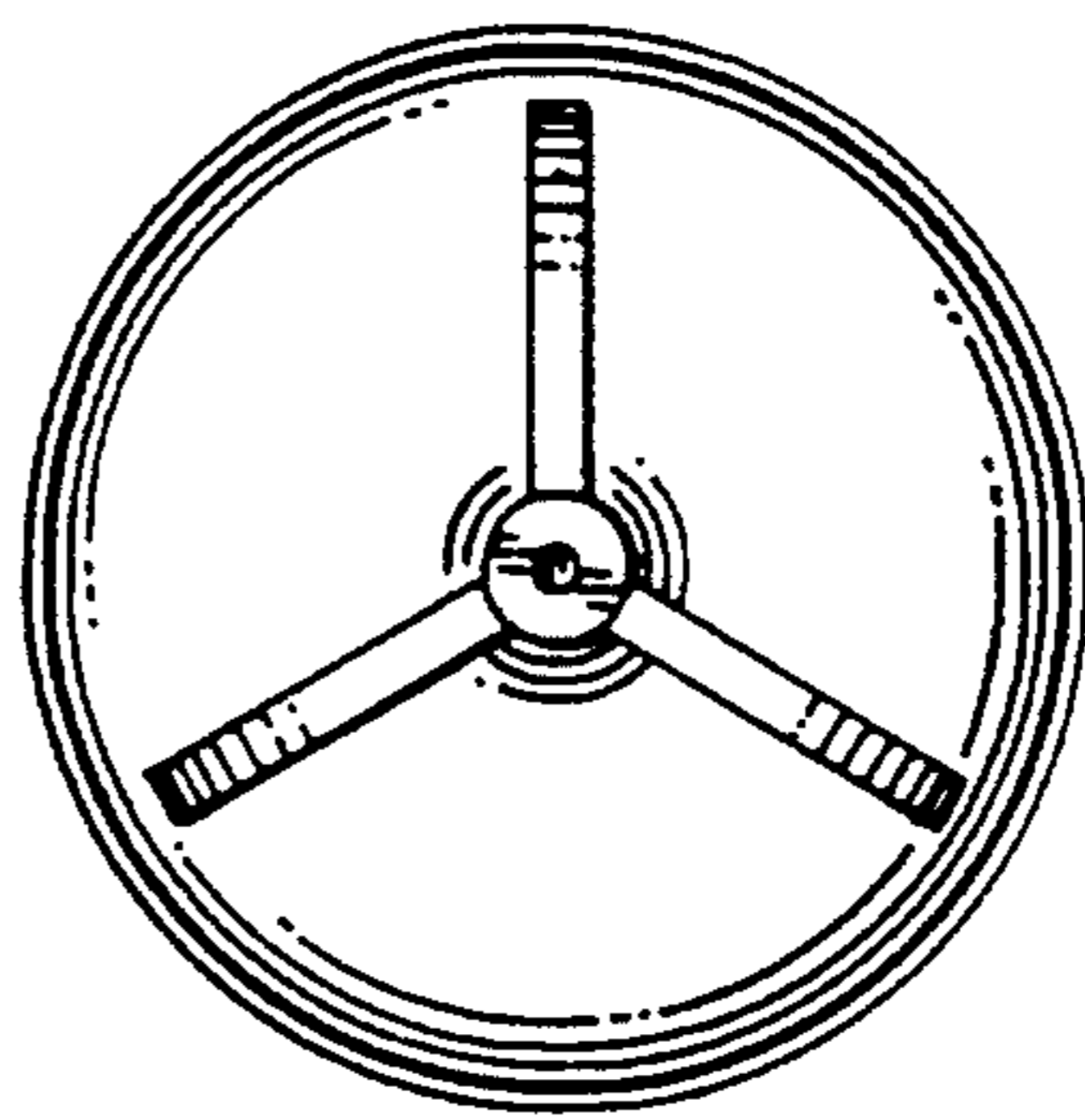


Fig. 4

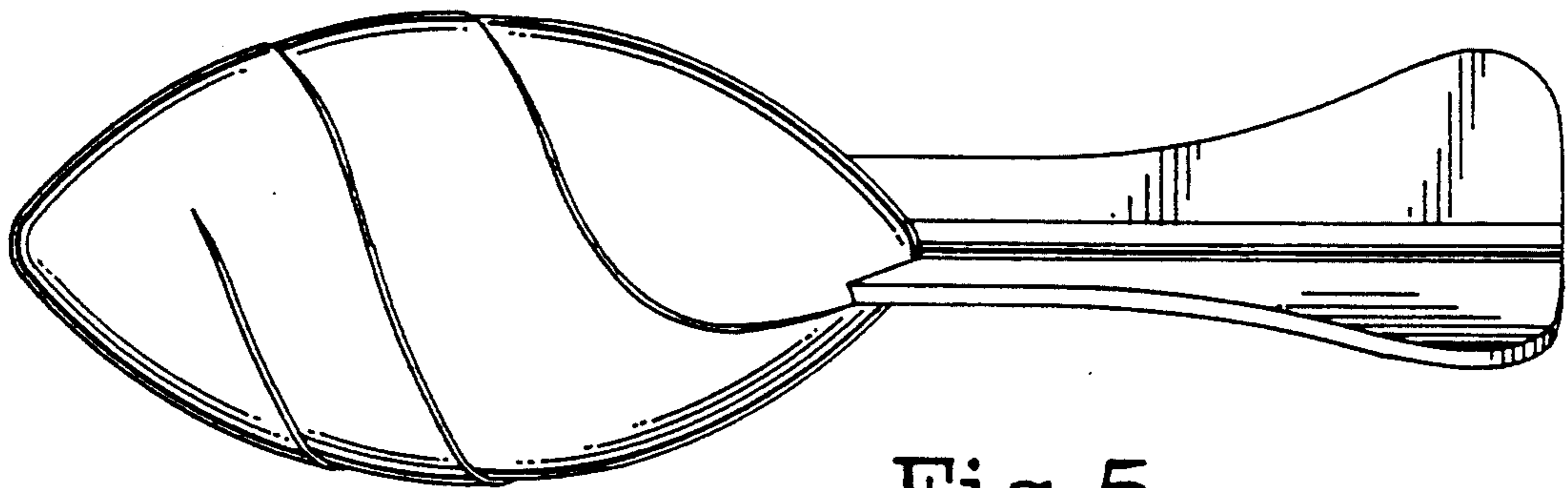


Fig. 5

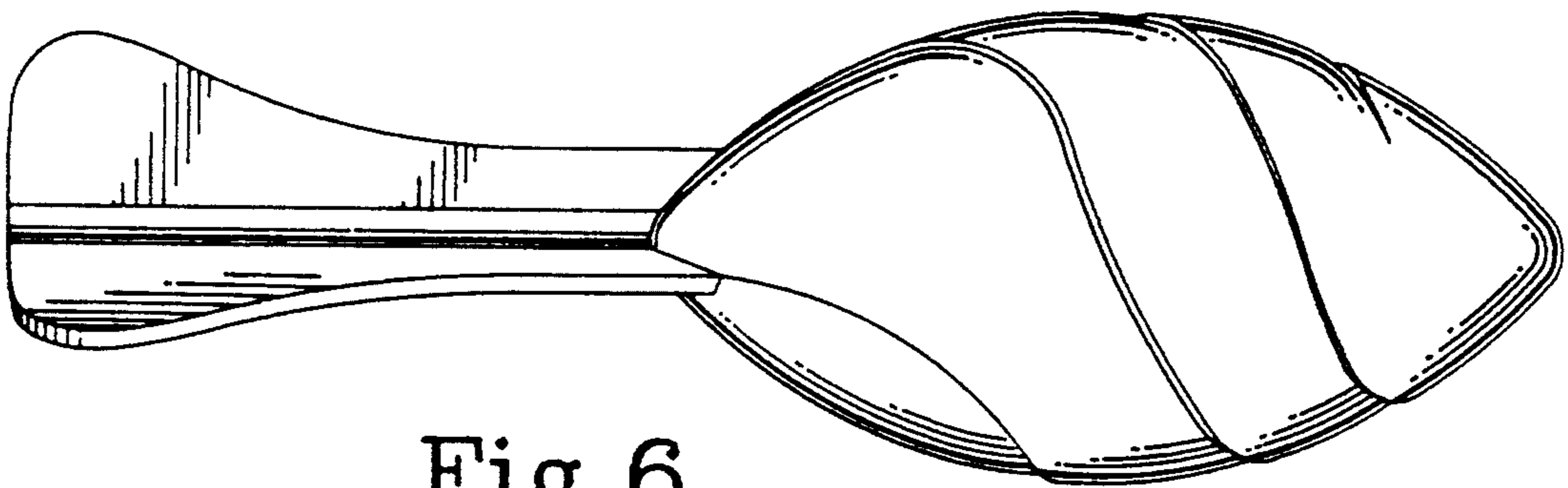


Fig. 6

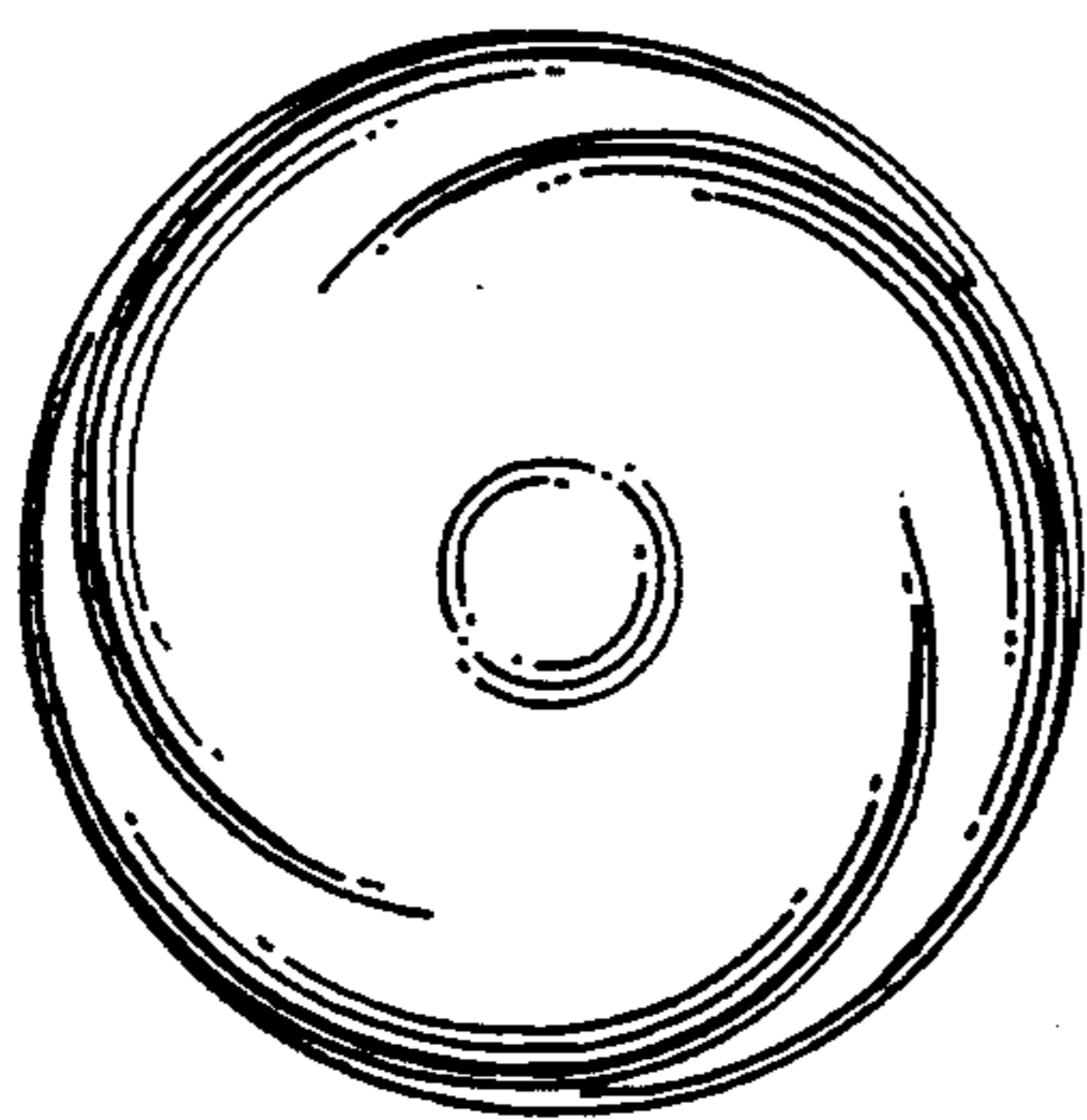


Fig. 7

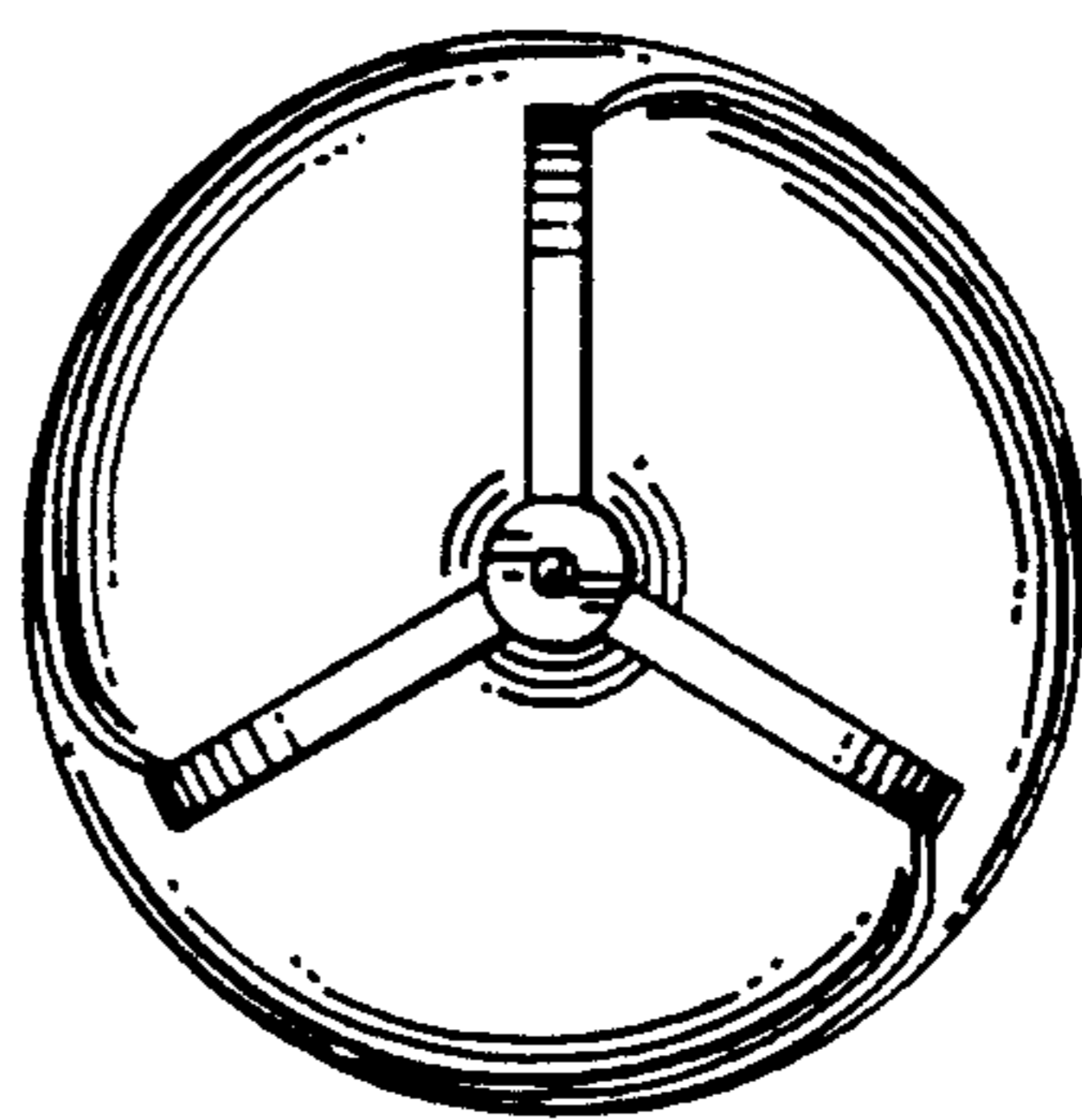


Fig. 8