



US00D345999S

United States Patent [19]

[11] Patent Number: **Des. 345,999**

Adkins

[45] Date of Patent: **** Apr. 12, 1994**

[54] **WEIGHT LIFTING APPARATUS**

[76] Inventor: **Danny M. Adkins, 1127 8th St. NW., Canton, Ohio 44703**

[**] Term: **14 Years**

[21] Appl. No.: **738,949**

[22] Filed: **Aug. 1, 1991**

4,598,908	7/1986	Morgan	482/104
4,709,922	12/1987	Slade, Jr. et al.	482/104
4,730,828	3/1988	Lane	482/94
4,815,746	3/1989	Ward, Jr.	482/94
4,875,676	10/1989	Zimmer	482/104

Primary Examiner—Bernard Ansher
Assistant Examiner—Philip Hyder
Attorney, Agent, or Firm—S. Michael Bender

Related U.S. Application Data

[63] Continuation-in-part of Ser. No. 558,233, Jul. 26, 1990, abandoned.

[52] U.S. Cl. **D21/195**

[58] Field of Search 482/93, 94, 97, 102, 482/104; D21/191, 195

[56] **References Cited**

U.S. PATENT DOCUMENTS

D. 277,498	2/1985	Miller	D21/191
D. 298,346	11/1988	Ringel et al.	D21/191
4,256,301	3/1981	Goyette	482/104
4,324,398	4/1982	Hole	482/104
4,561,651	12/1985	Hole	482/104

[57] **CLAIM**

The ornamental design for a weight lifting apparatus, as shown and described.

DESCRIPTION

FIG. 1 is a front elevational view of the weight lifting apparatus showing my new design; FIG. 2 is a rear elevational view thereof; FIG. 3 is a left side elevational view thereof; FIG. 4 is a right side elevational view thereof; FIG. 5 is a top plan view thereof; FIG. 6 is a bottom plan view thereof; and, FIG. 7 is a perspective view thereof, the broken line portion being for illustrative purposes only and forming no part of the claimed design.

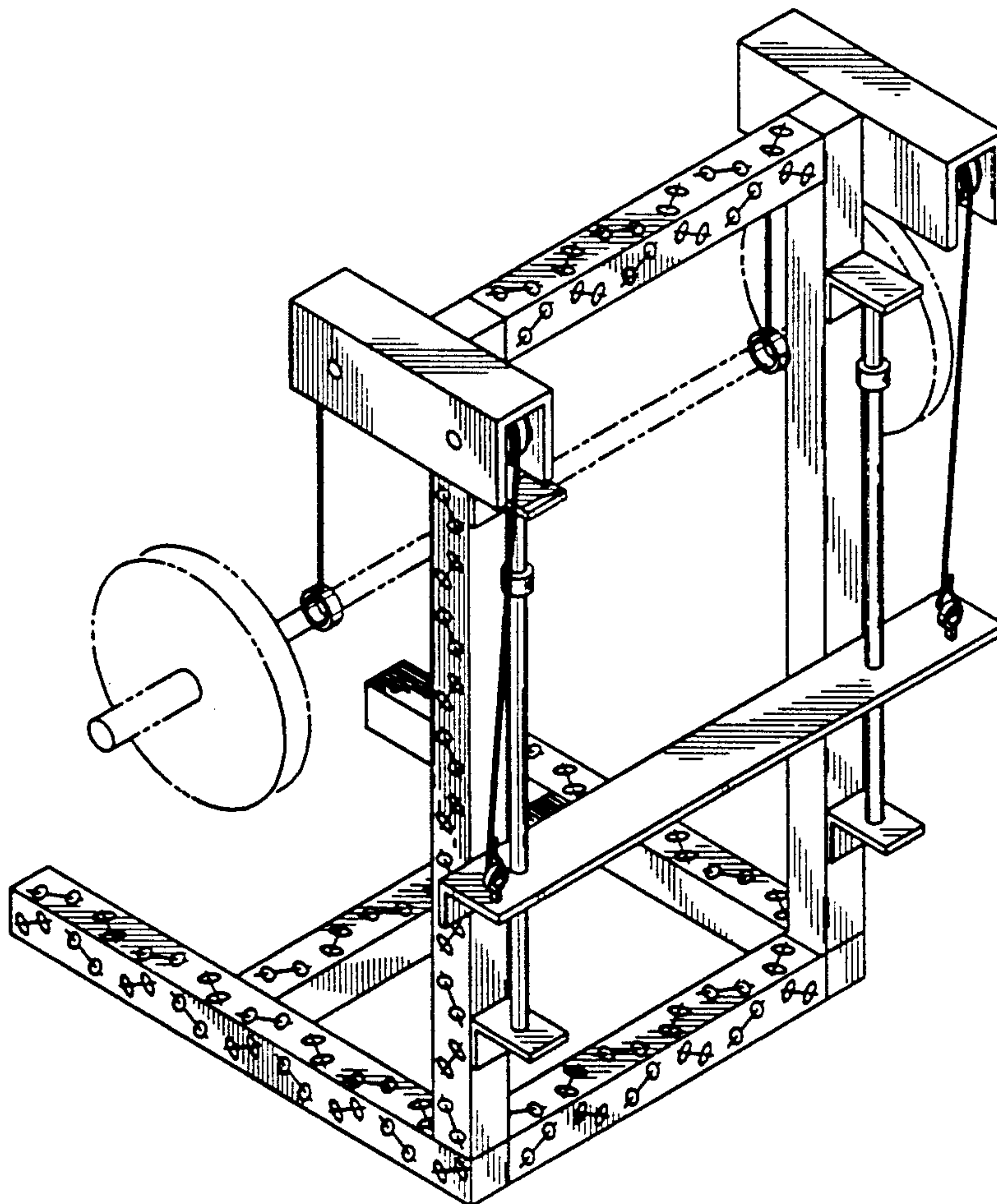


FIG. 1

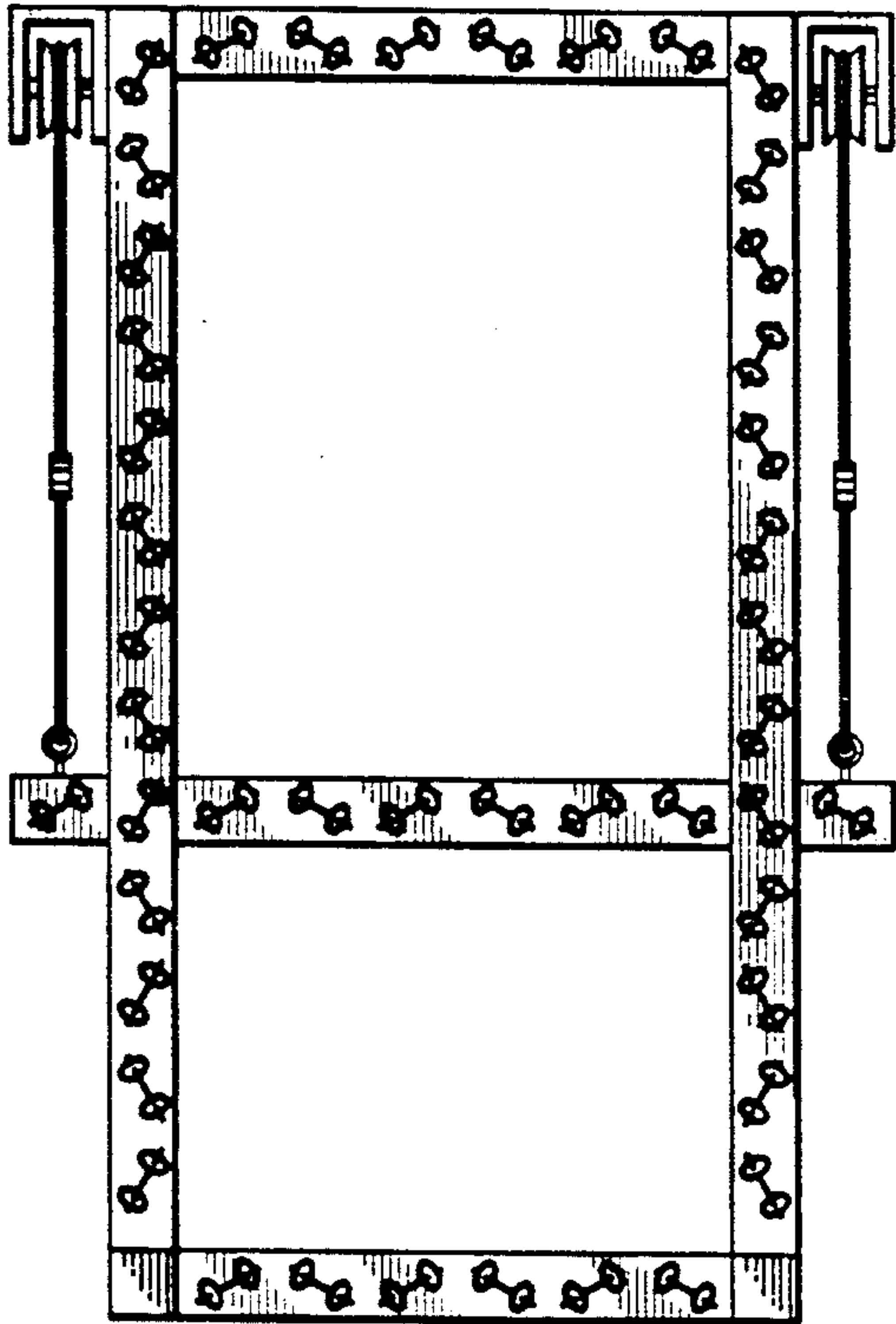


FIG. 2

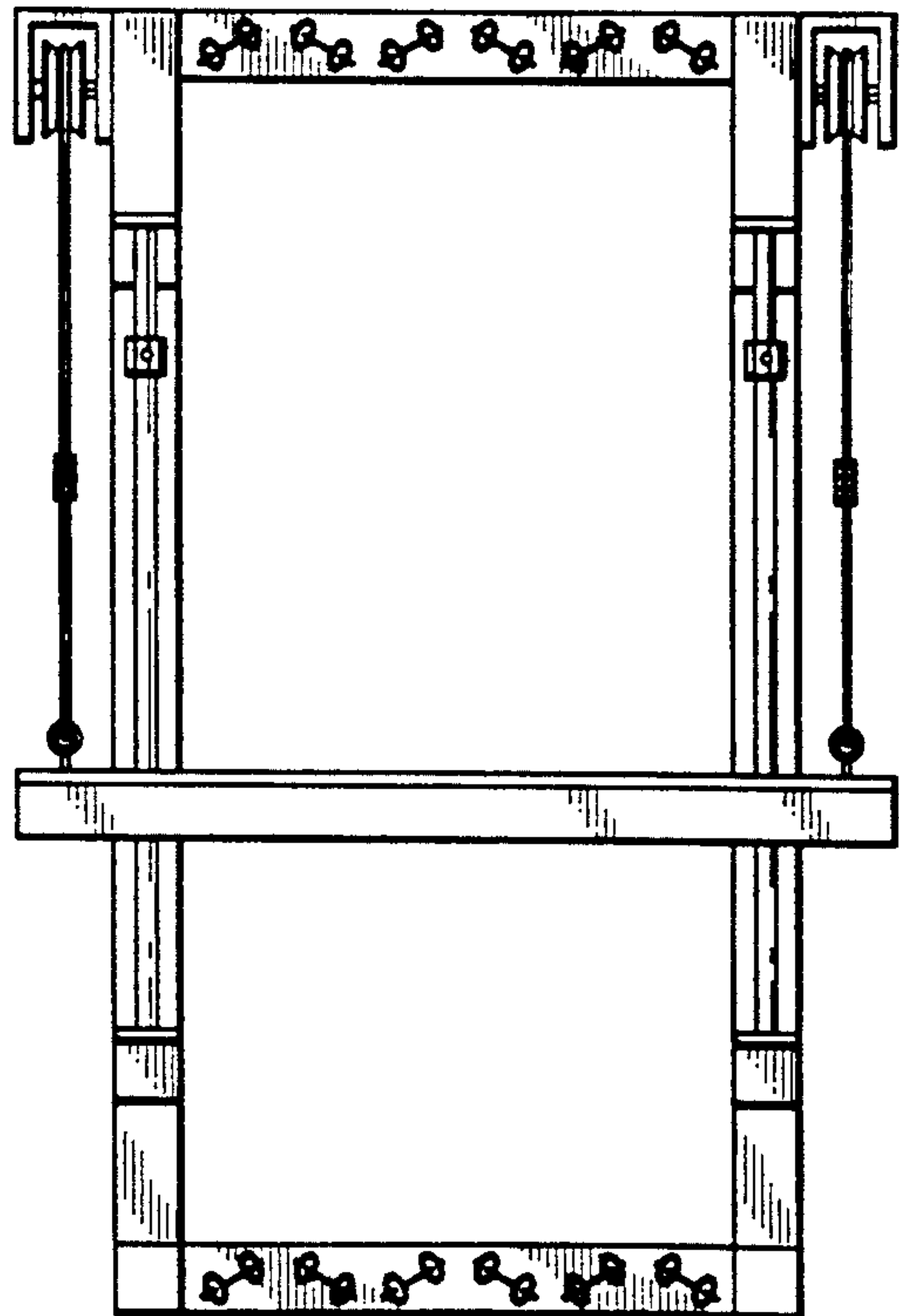


FIG. 3

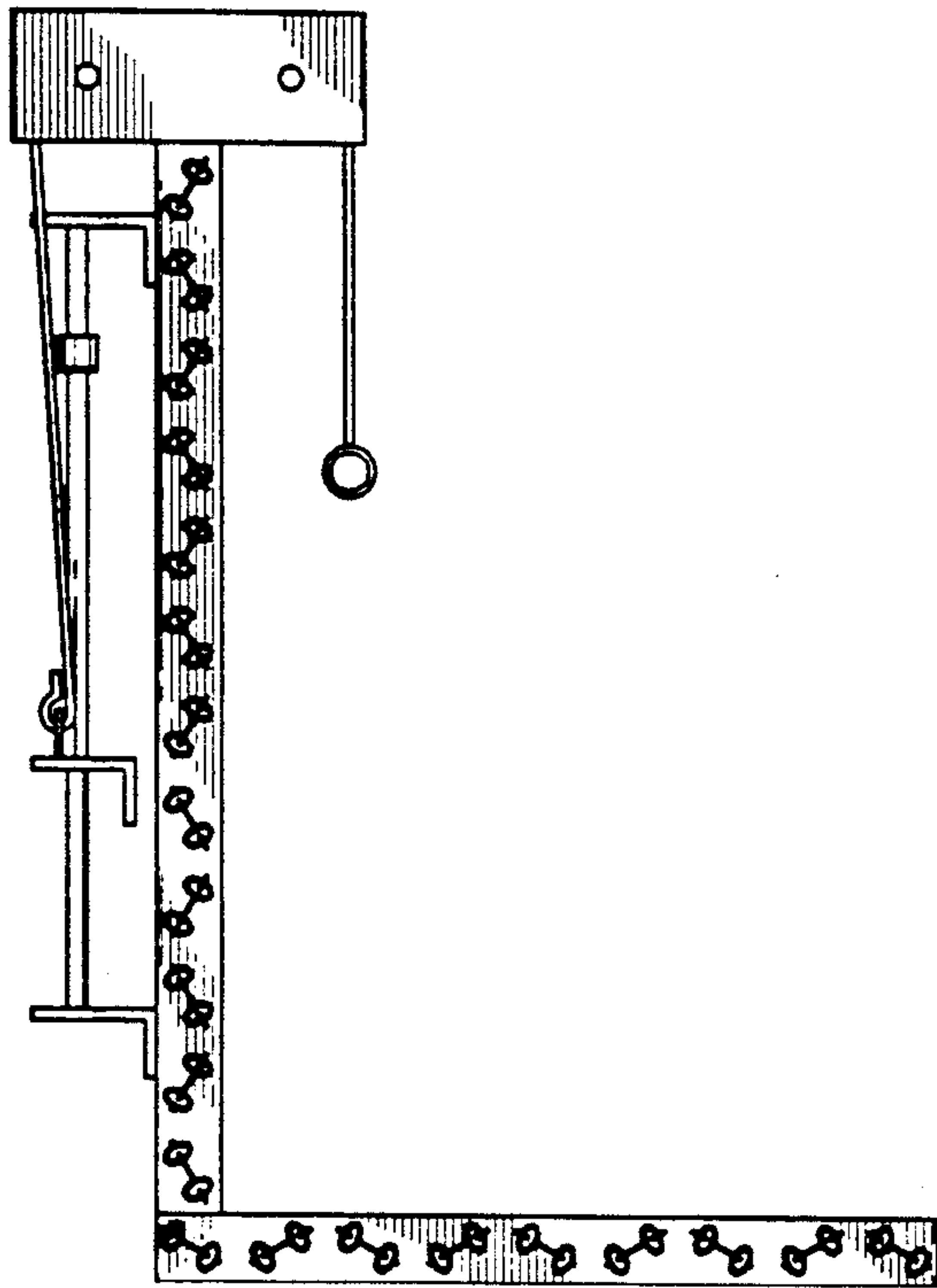


FIG. 4

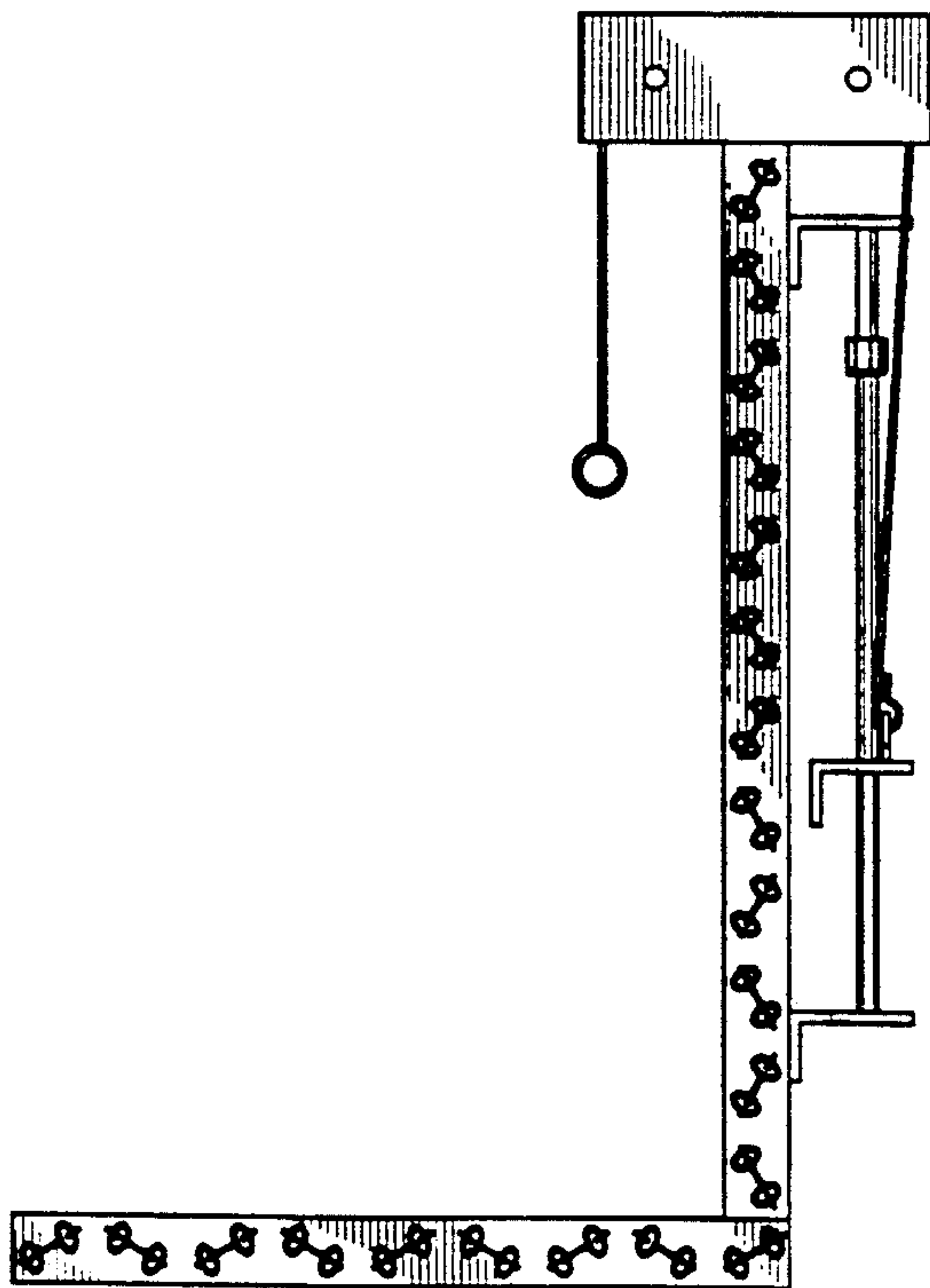


FIG. 5

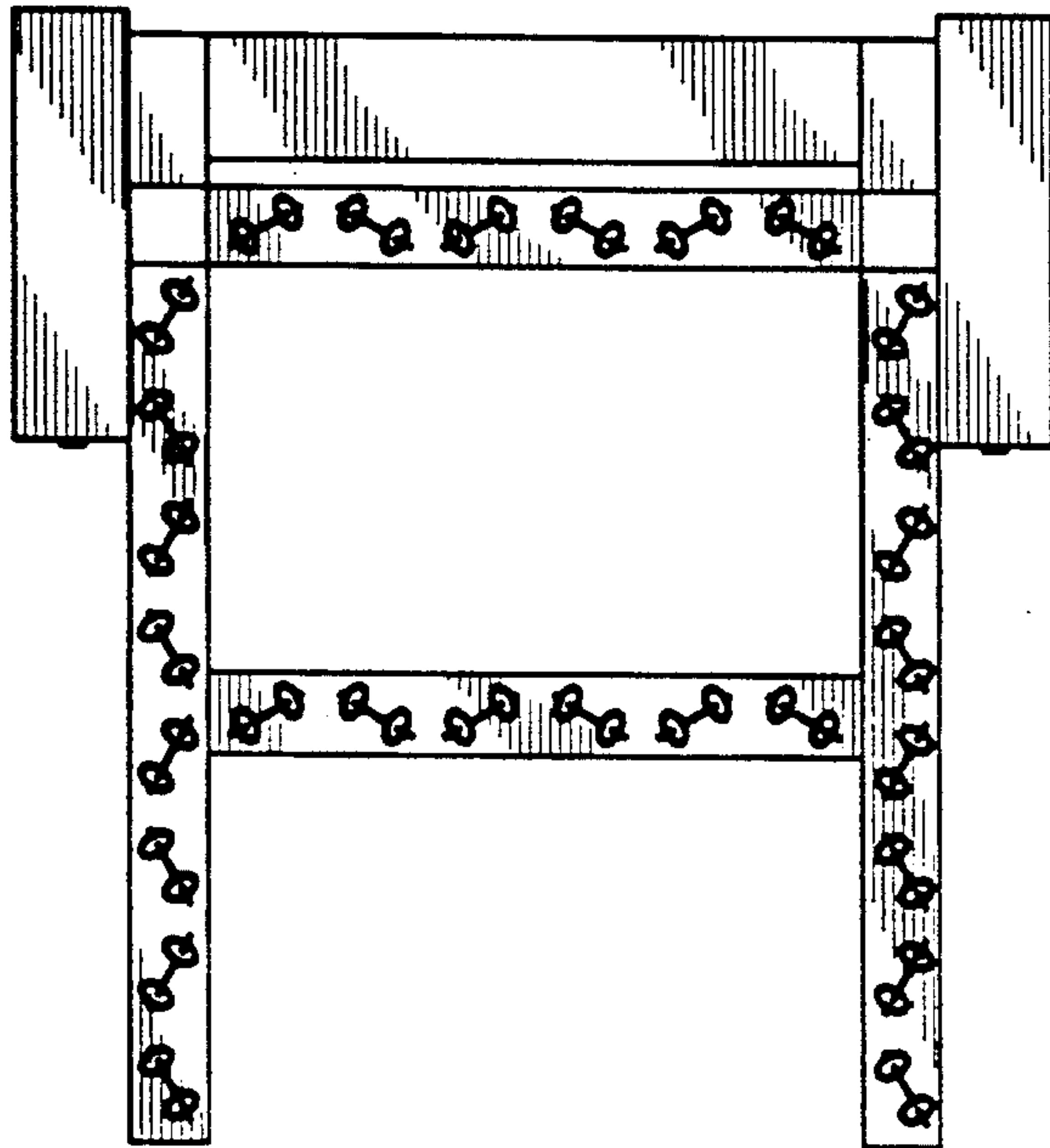


FIG. 6

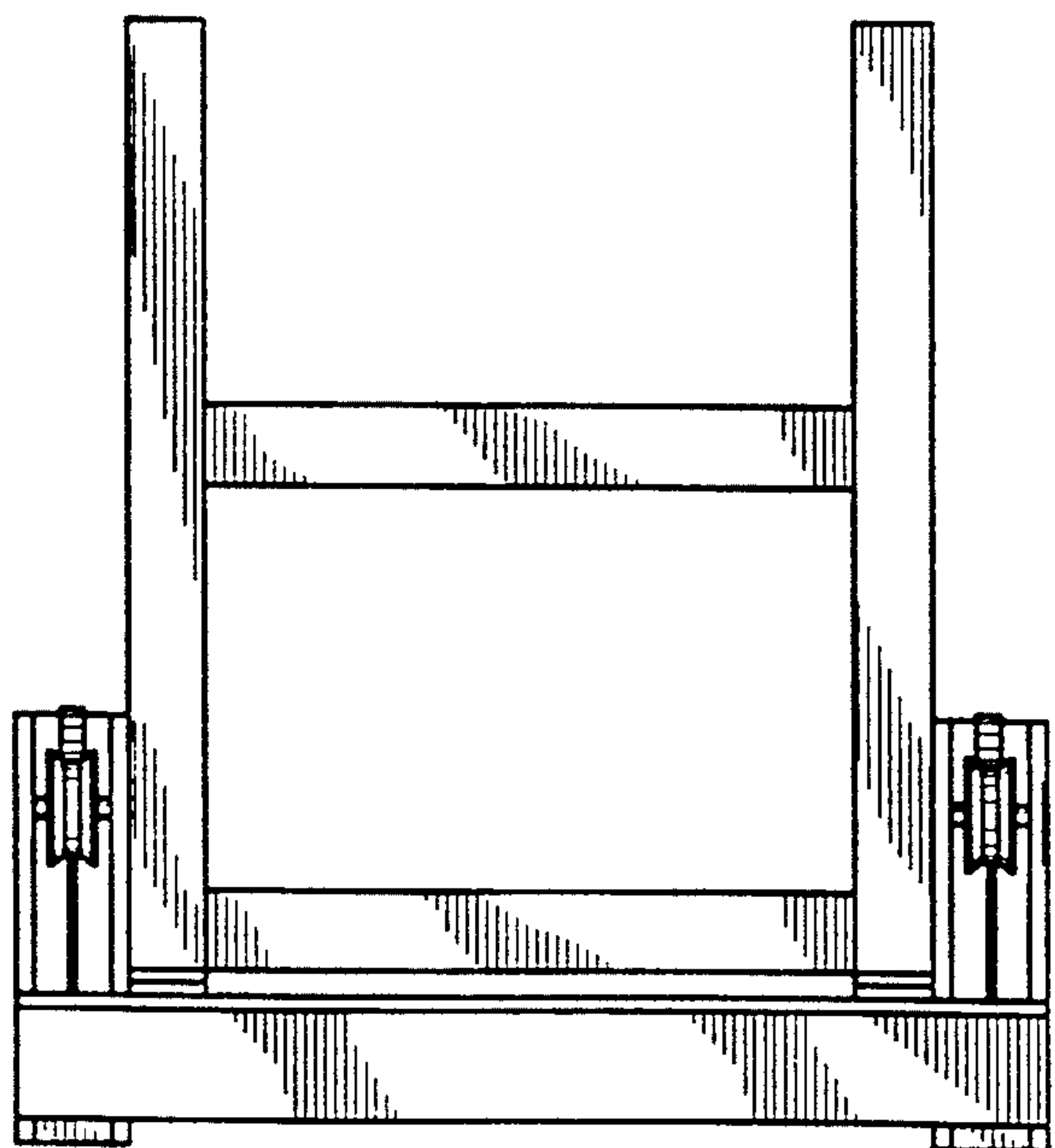


FIG. 7

