



US00D345998S

# United States Patent [19]

[11] Patent Number: **Des. 345,998**

Gresko

[45] Date of Patent: **\*\* Apr. 12, 1994**

[54] **ARM MECHANISM FOR A SKI EXERCISER**

5,145,481 9/1992 Friedebach ..... 482/70

[75] Inventor: **James D. Gresko, Rochester, N.Y.**

*Primary Examiner*—Bernard Ansher

[73] Assignee: **Voit Sports, Incorporated, Fairport, N.Y.**

*Assistant Examiner*—Philip Hyder

*Attorney, Agent, or Firm*—Cumpston & Shaw

[\*\*] Term: **14 Years**

[57] **CLAIM**

The ornamental design for an arm mechanism for a ski exerciser, as shown and described.

[21] Appl. No.: **929,140**

[22] Filed: **Aug. 11, 1992**

**DESCRIPTION**

[52] U.S. Cl. .... **D21/191**

FIG. 1 is a left front perspective view of the arm mechanism for a ski exerciser showing my new design;

[58] Field of Search ..... 482/70, 71, 72, 73, 482/118, 119; D21/191, 195, 198

FIG. 2 is a front elevational view thereof;

FIG. 3 is a left side elevational view thereof, with the arms in an alternate position;

FIG. 4 is a rear elevational view thereof;

[56] **References Cited**

**U.S. PATENT DOCUMENTS**

D. 299,369 1/1989 Smith et al. .... D21/191

D. 315,764 3/1991 Friedebach ..... D21/191

D. 319,855 9/1991 Bull ..... D21/195

D. 328,934 8/1992 Friedebach ..... D21/191

4,813,667 3/1989 Watterson ..... 482/70

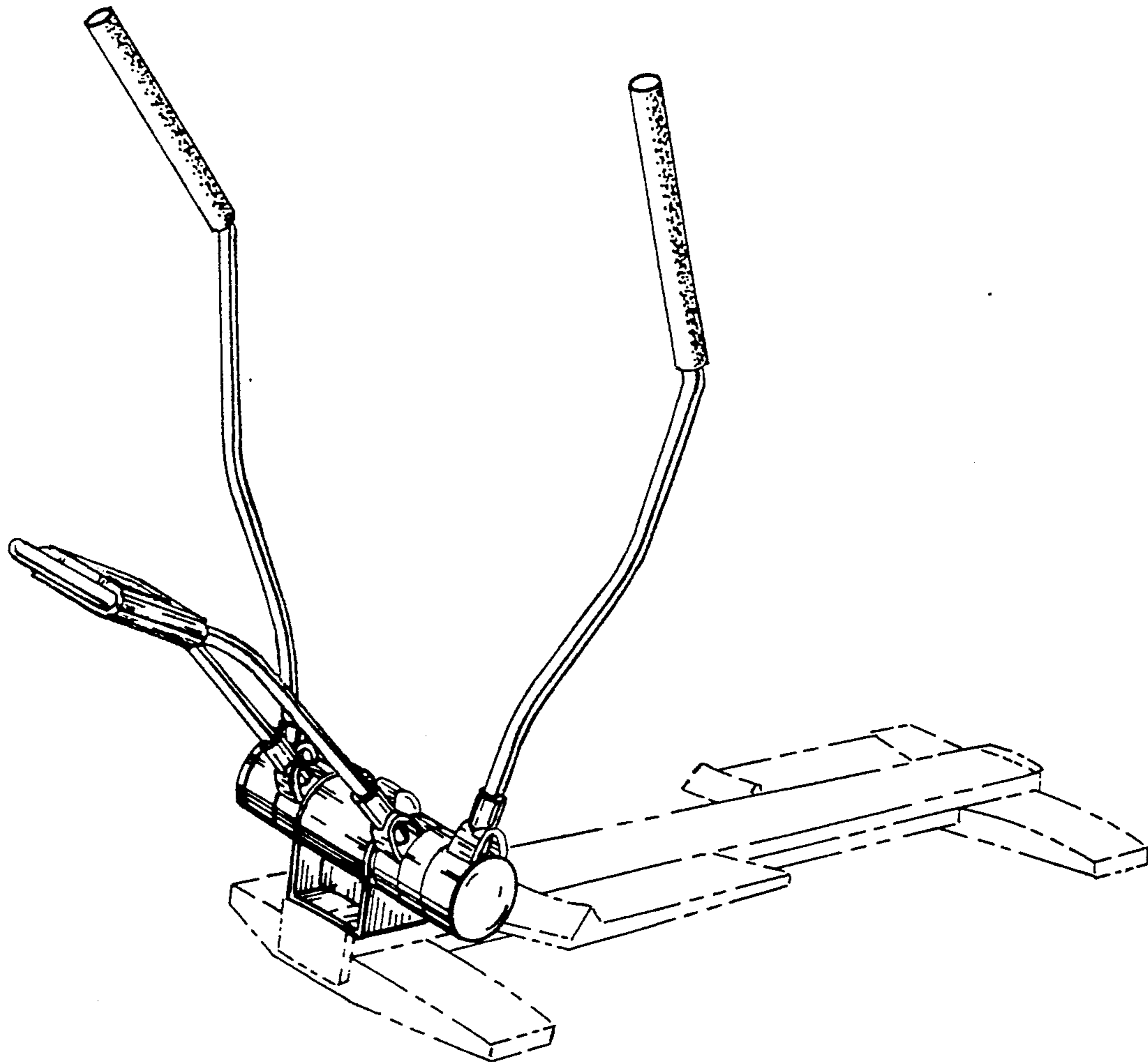
5,000,442 3/1991 Dalebout et al. .... 482/70

FIG. 5 is a right side elevational view thereof, with the arms in an alternate position;

FIG. 6 is a top plan view thereof; and,

FIG. 7 is a bottom plan view.

The broken line showing of the base is for illustrative purposes only and forms no part of the claimed design.



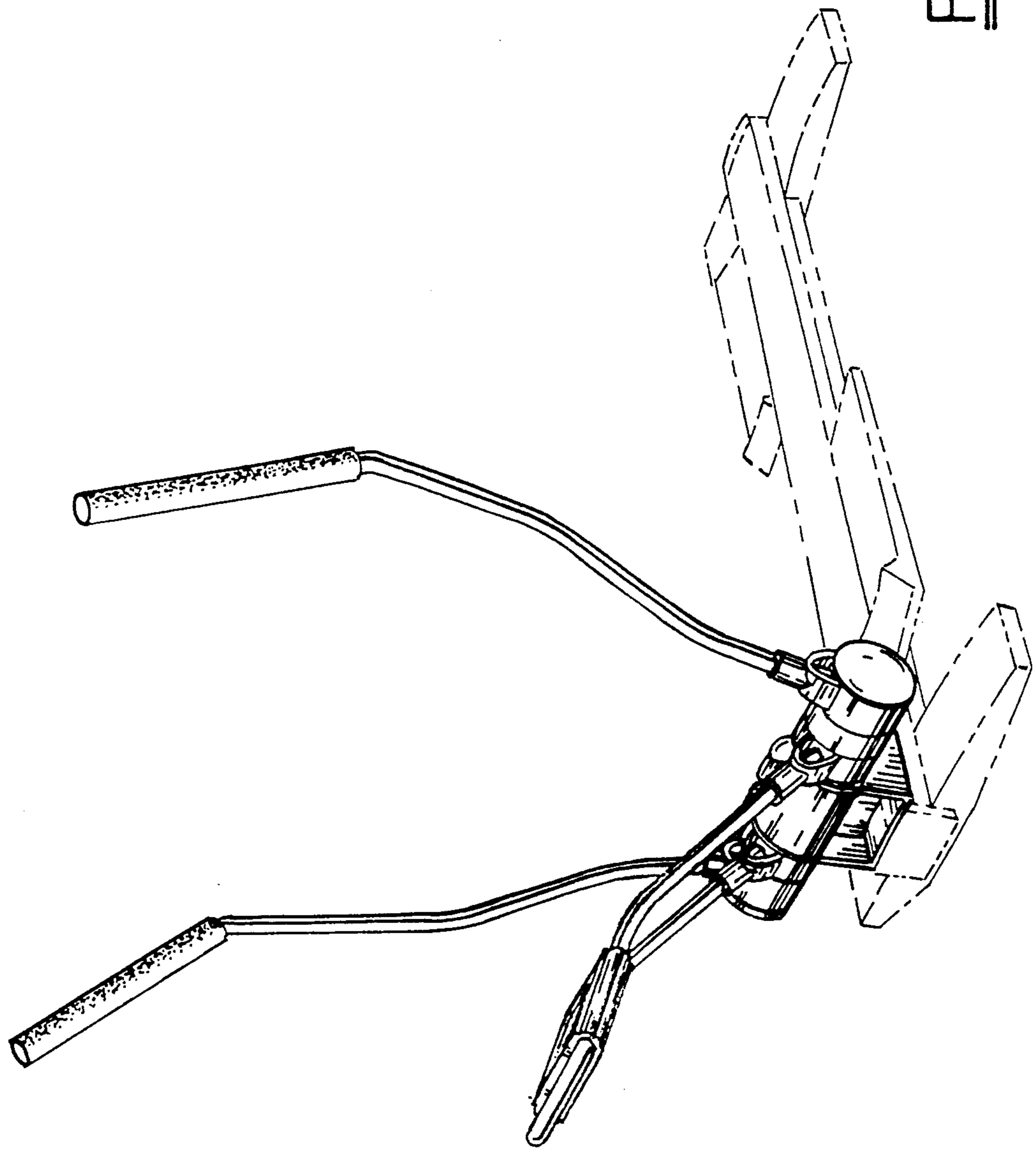


FIG. 1

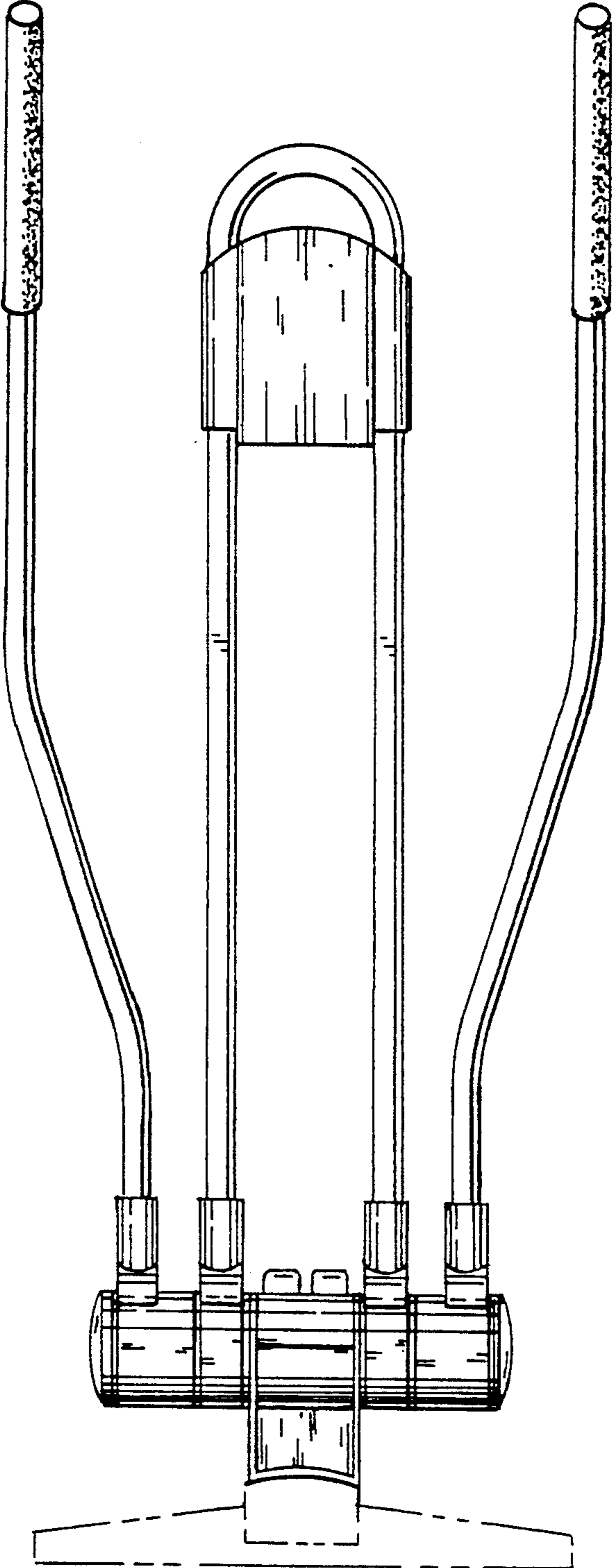


FIG. 2

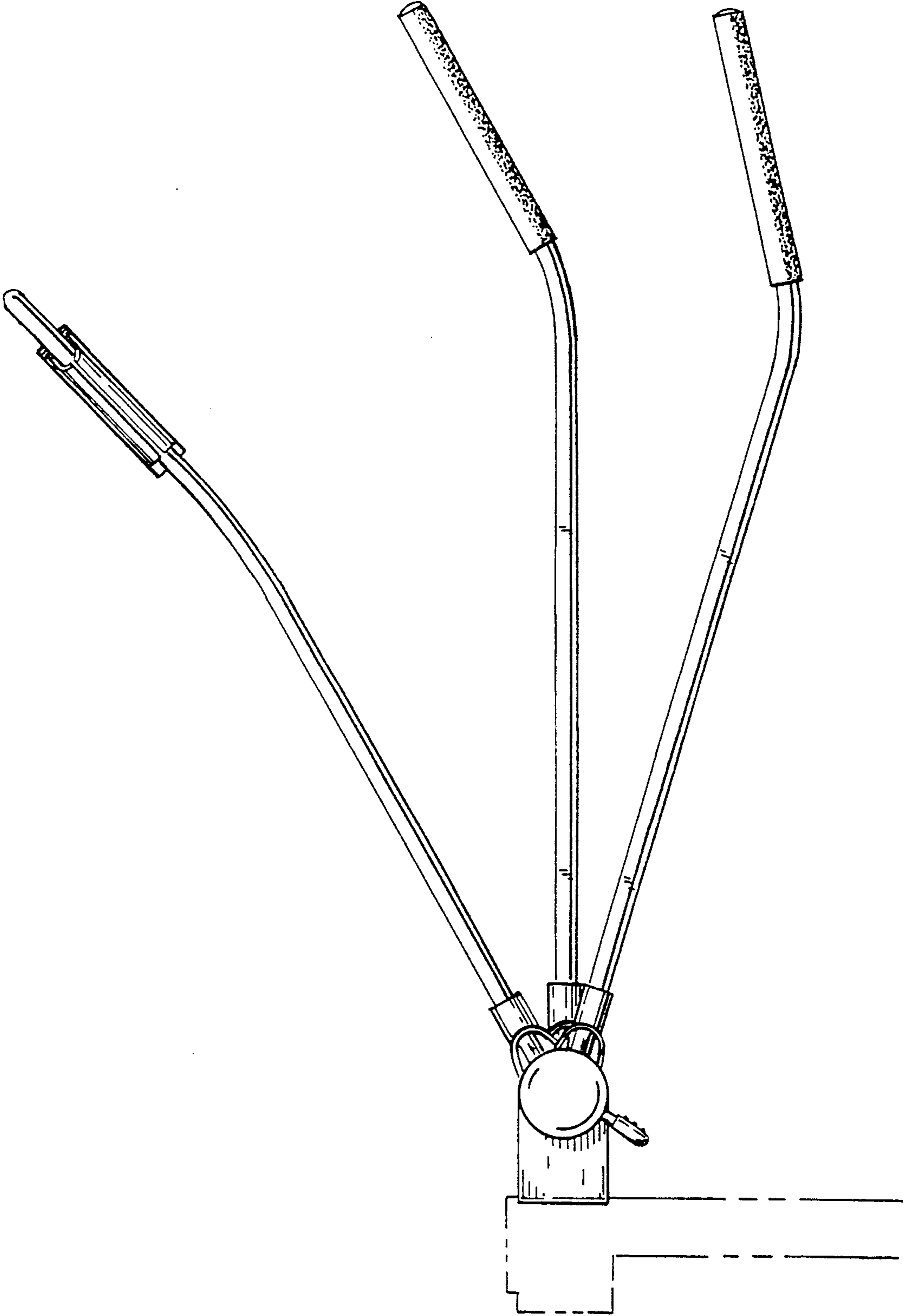


FIG. 3

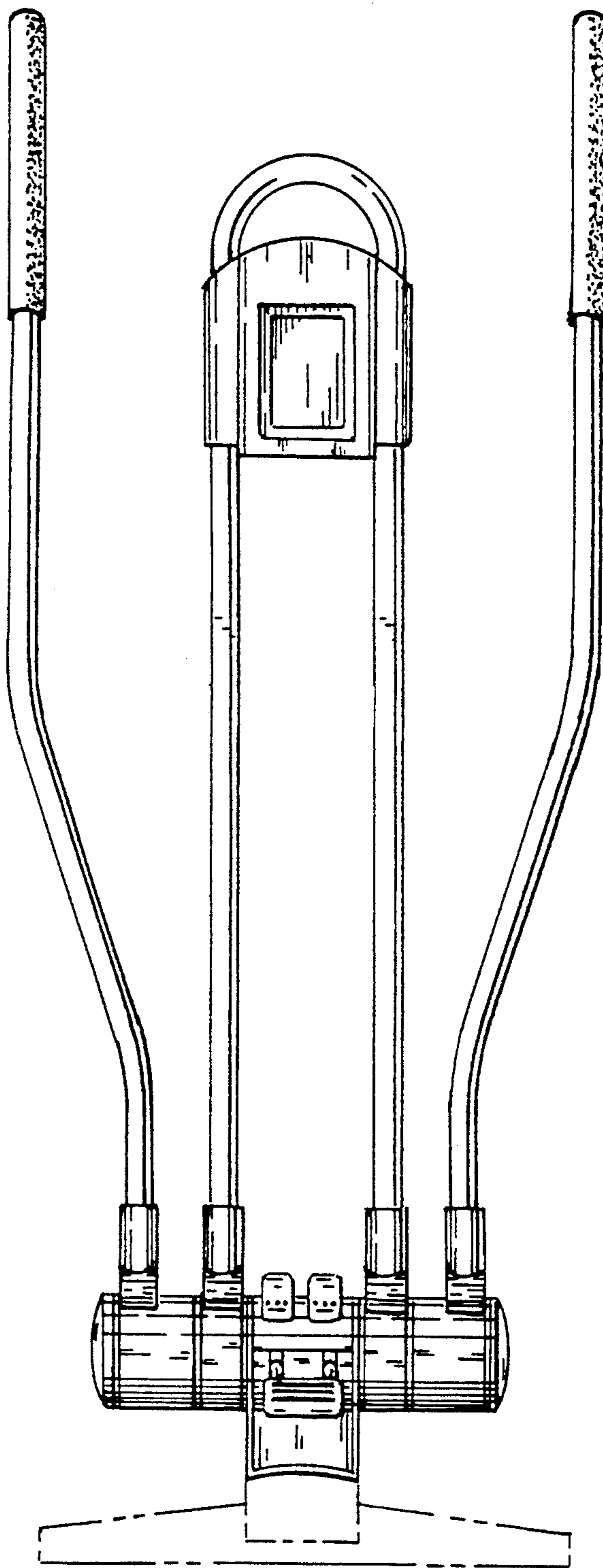


FIG. 4

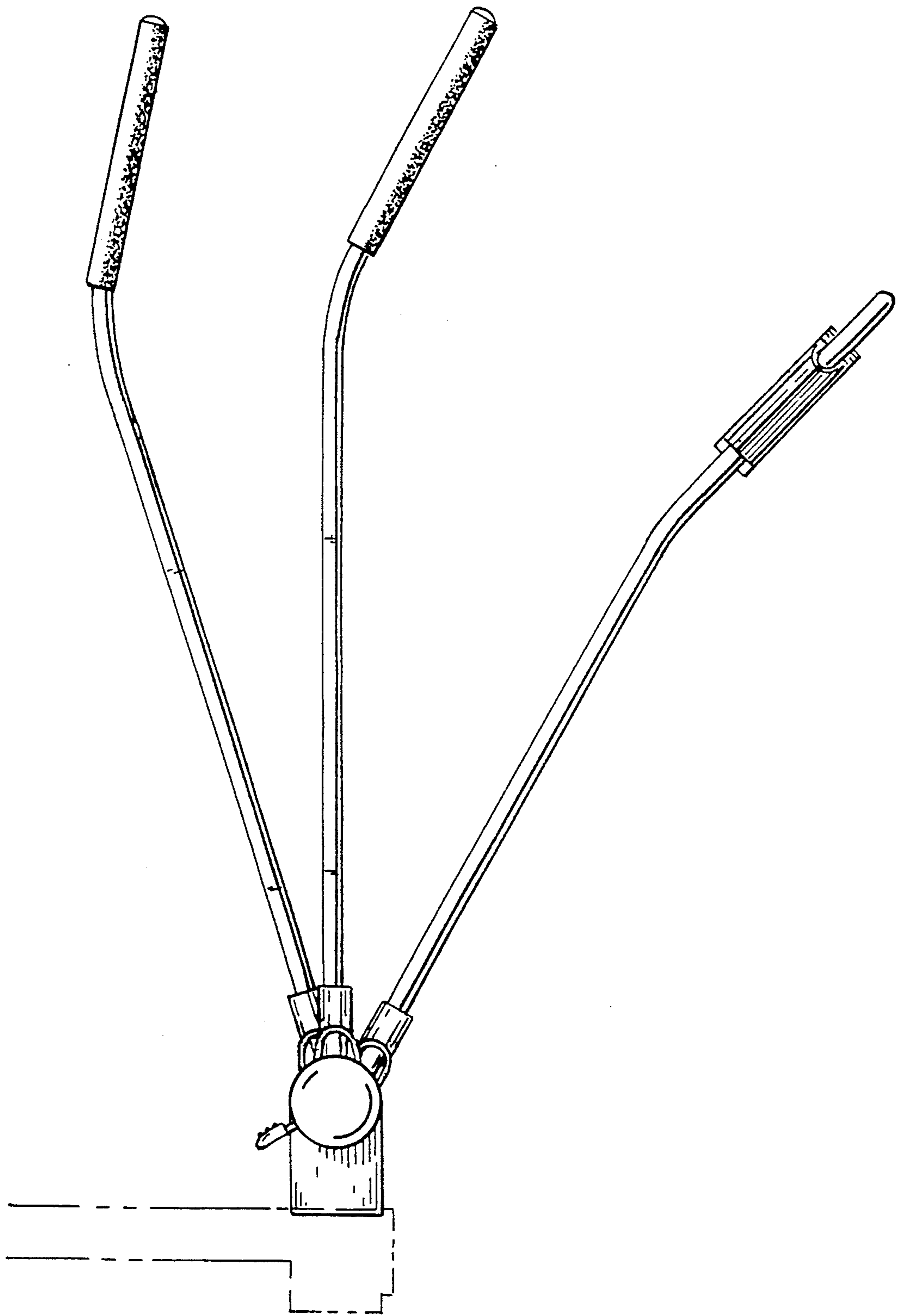


FIG. 5

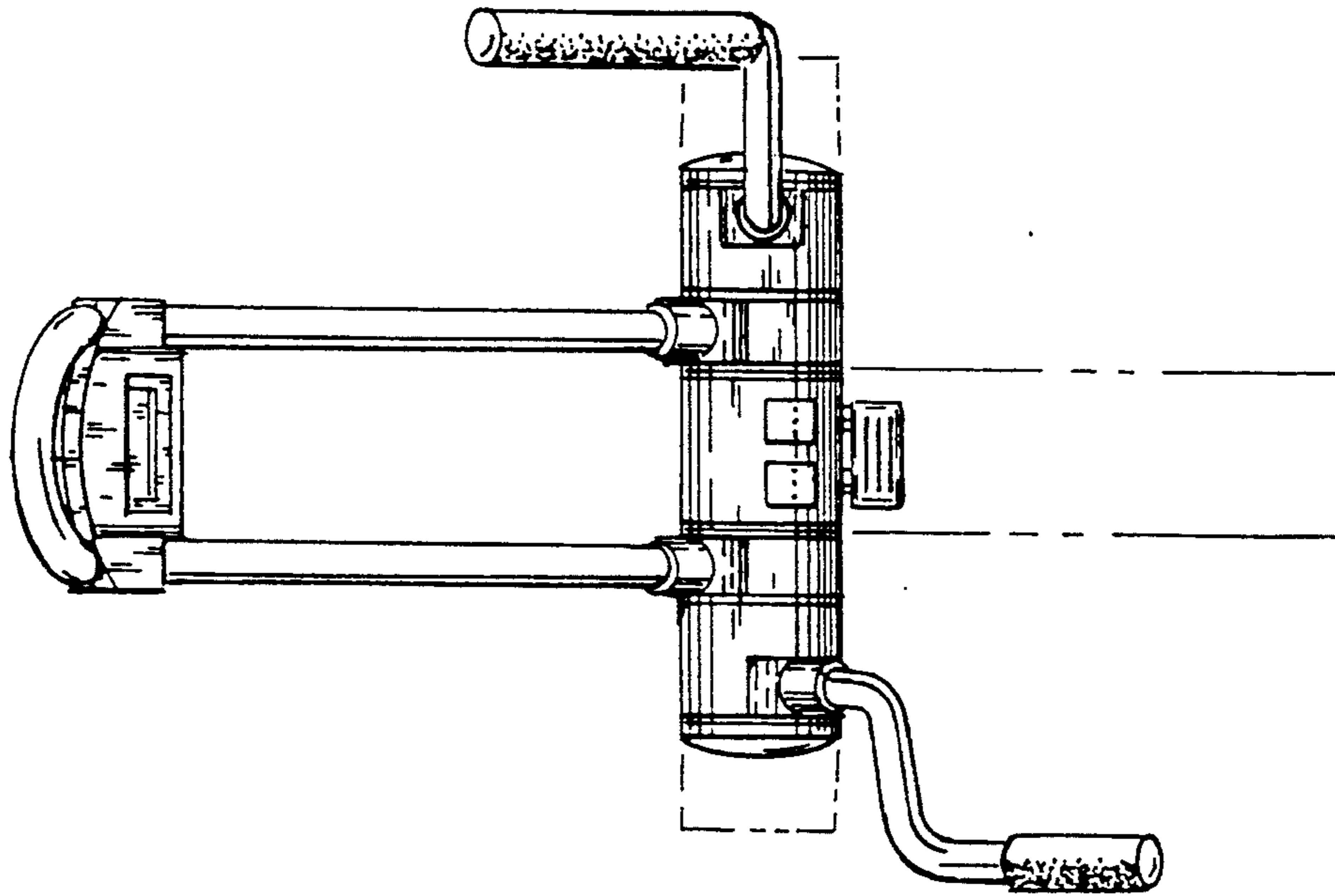


FIG. 6

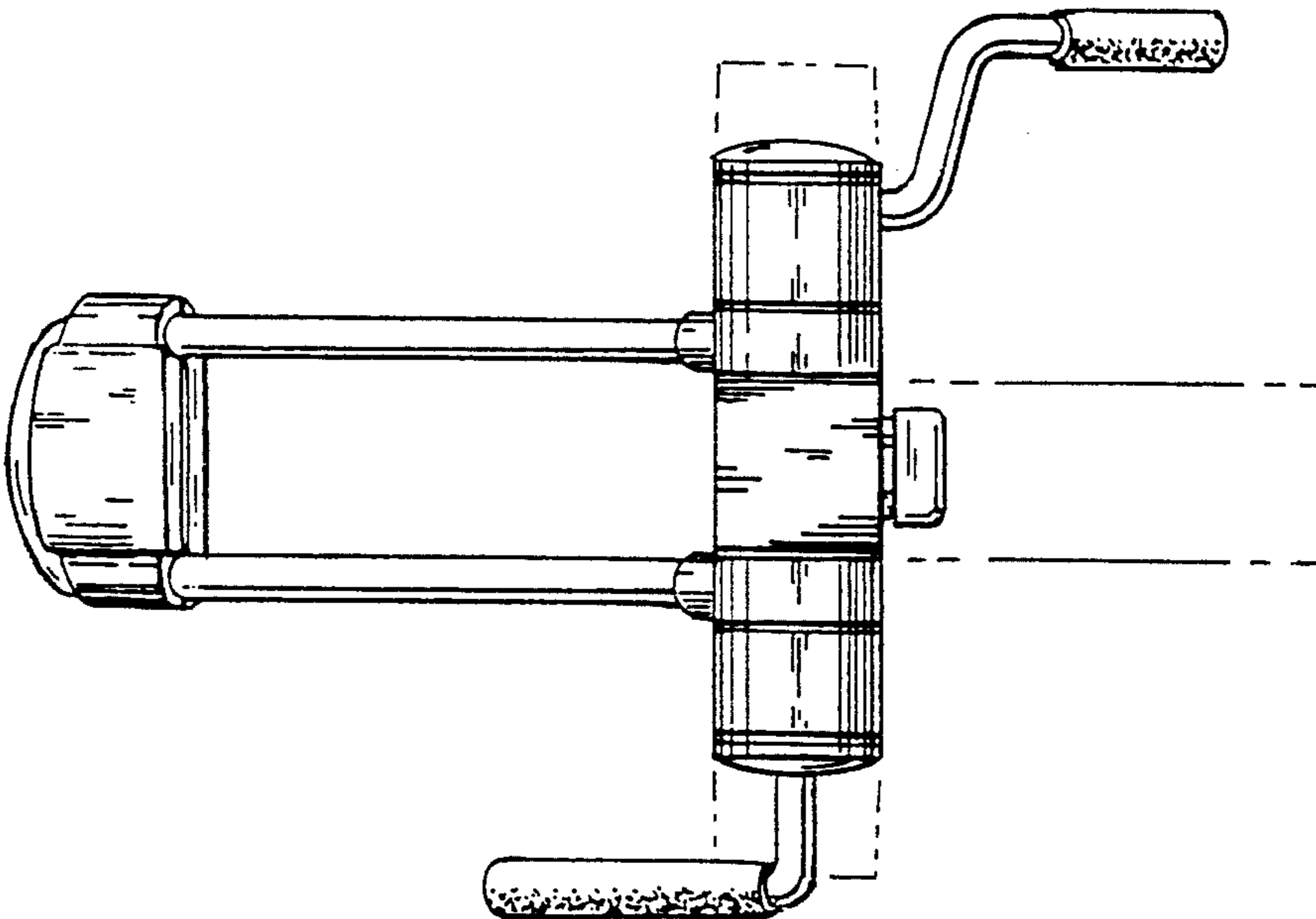


FIG. 7