



US00D345986S

United States Patent [19]

[11] Patent Number: **Des. 345,986**

Lim

[45] Date of Patent: **** Apr. 12, 1994**

[54] LAMINATING MACHINE

5,232,538 8/1993 Liu 156/498 X

[75] Inventor: **Ta K. Lim**, Franklin Lakes, N.J.

Primary Examiner—Alan P. Douglas

[73] Assignee: **Royal Sovereign Corp.**, Englewood, N.J.

Assistant Examiner—Antoine D. Davis

Attorney, Agent, or Firm—McAulay, Fisher, Nissen, Goldberg & Kiel

[**] Term: **14 Years**

[57] **CLAIM**

[21] Appl. No.: **1,946**

The ornamental design for a laminating machine, as shown and described.

[22] Filed: **Nov. 25, 1992**

[52] U.S. Cl. **D15/146**

DESCRIPTION

[58] Field of Search 100/93 P, 93 PP, 155 R, 100/265, 295; 156/359, 498, 499, 555, 556, 583, 583.1; D15/145, 146

FIG. 1 is a perspective view of a laminating machine showing my new design;

FIG. 2 is a top plan view thereof;

FIG. 3 is a front elevational view thereof;

FIG. 4 is a right side elevational view thereof, the left side being a mirror image;

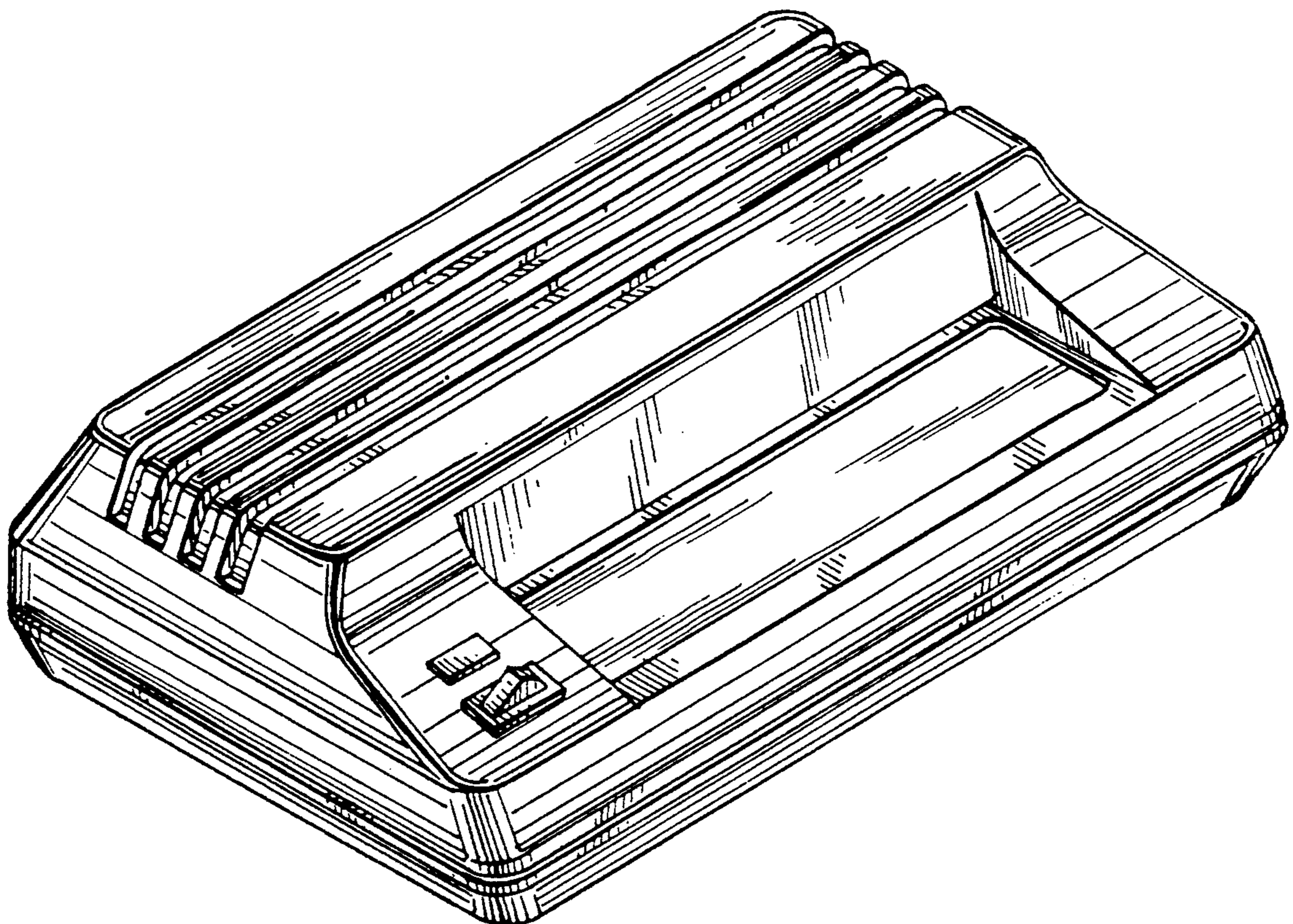
FIG. 5 is a rear elevational view thereof; and,

FIG. 6 is a bottom plan view thereof.

[56] **References Cited**

U.S. PATENT DOCUMENTS

- D. 301,238 5/1989 Makihara D15/146
- D. 306,303 2/1990 Takeda D15/146 X



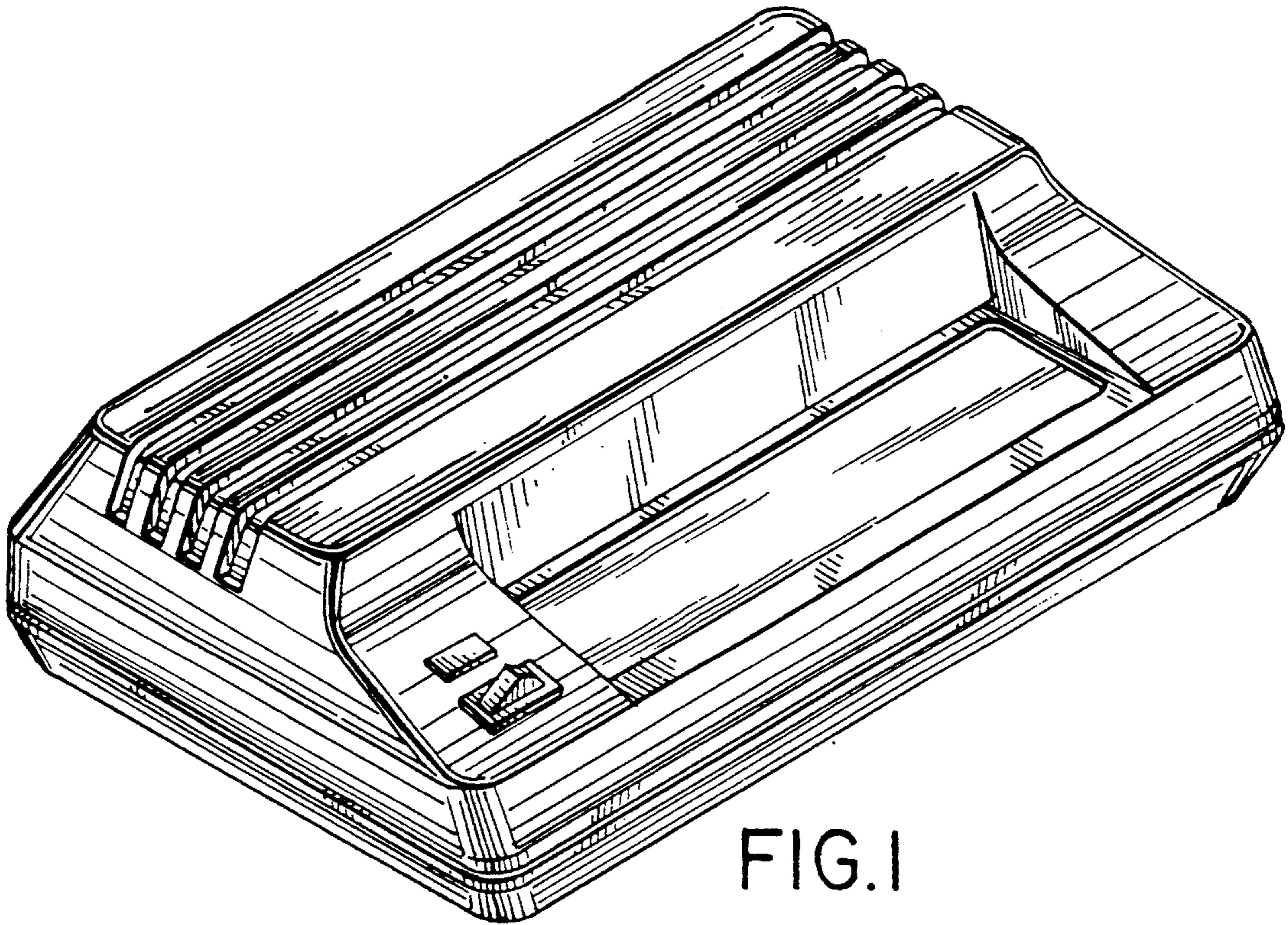


FIG. 1

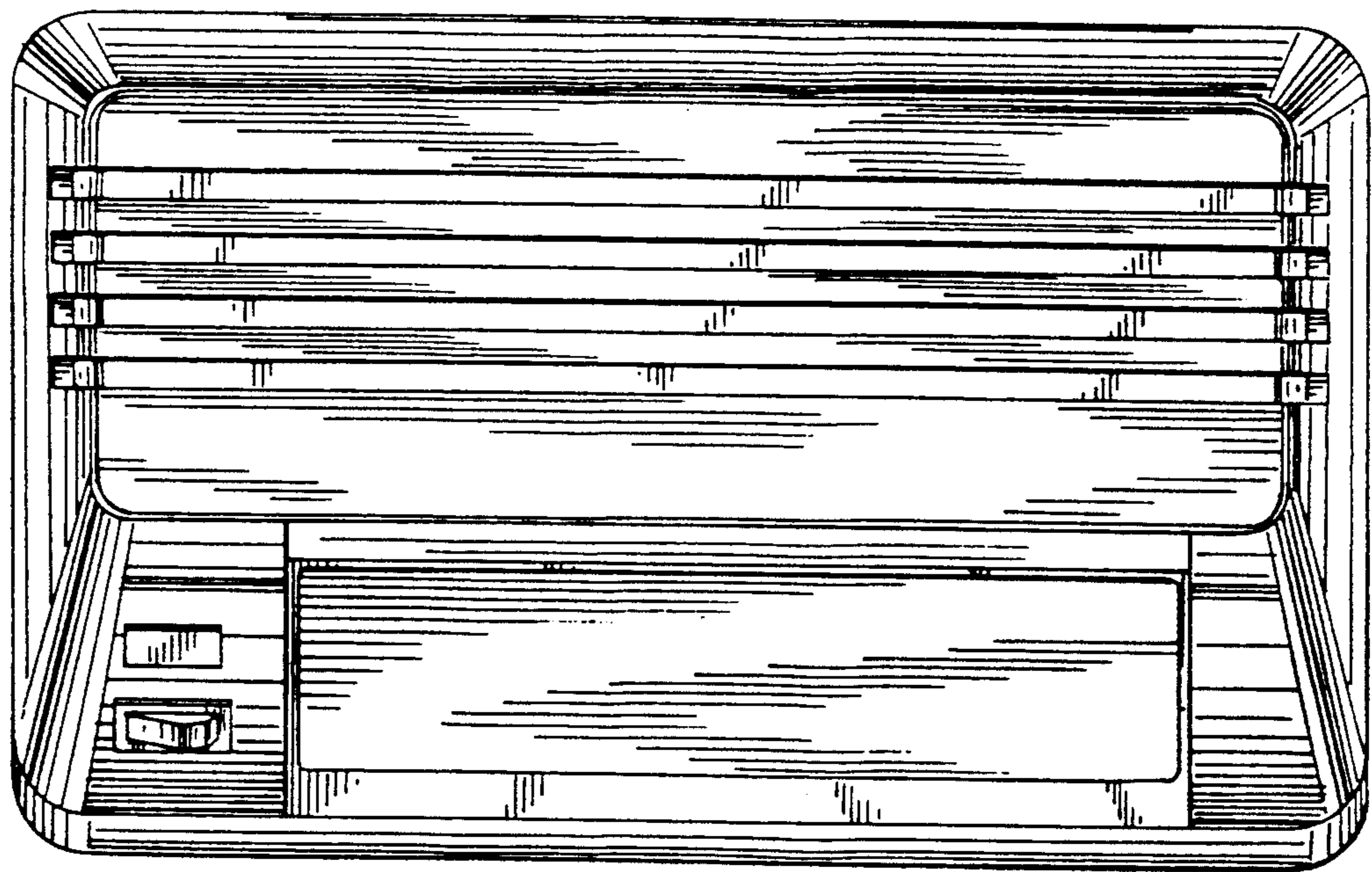


FIG. 2

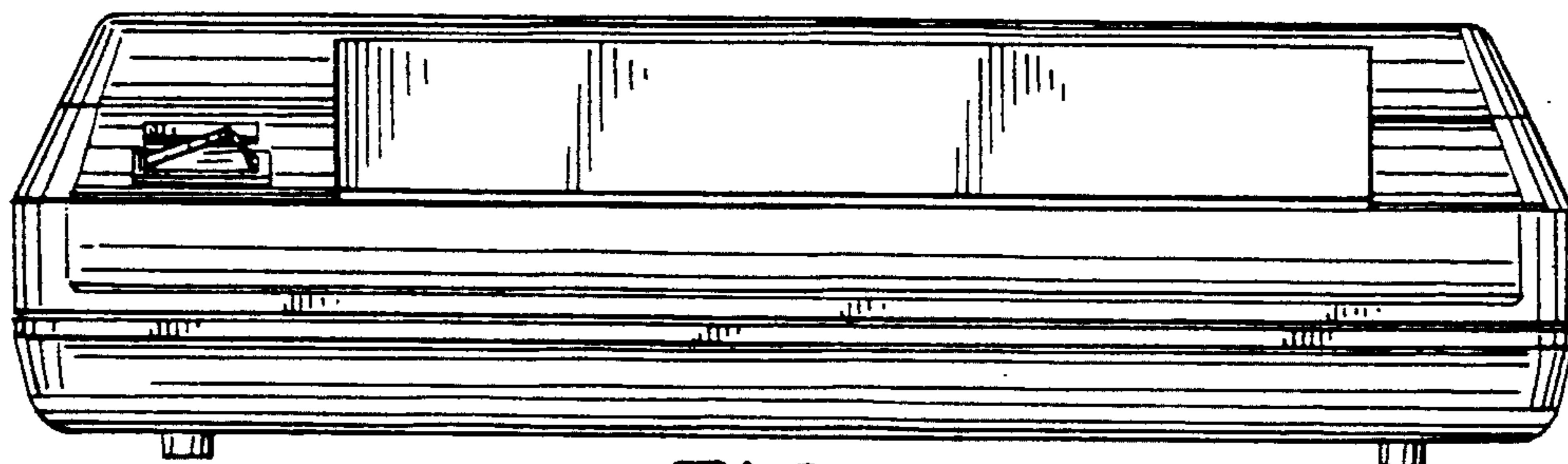


FIG.3

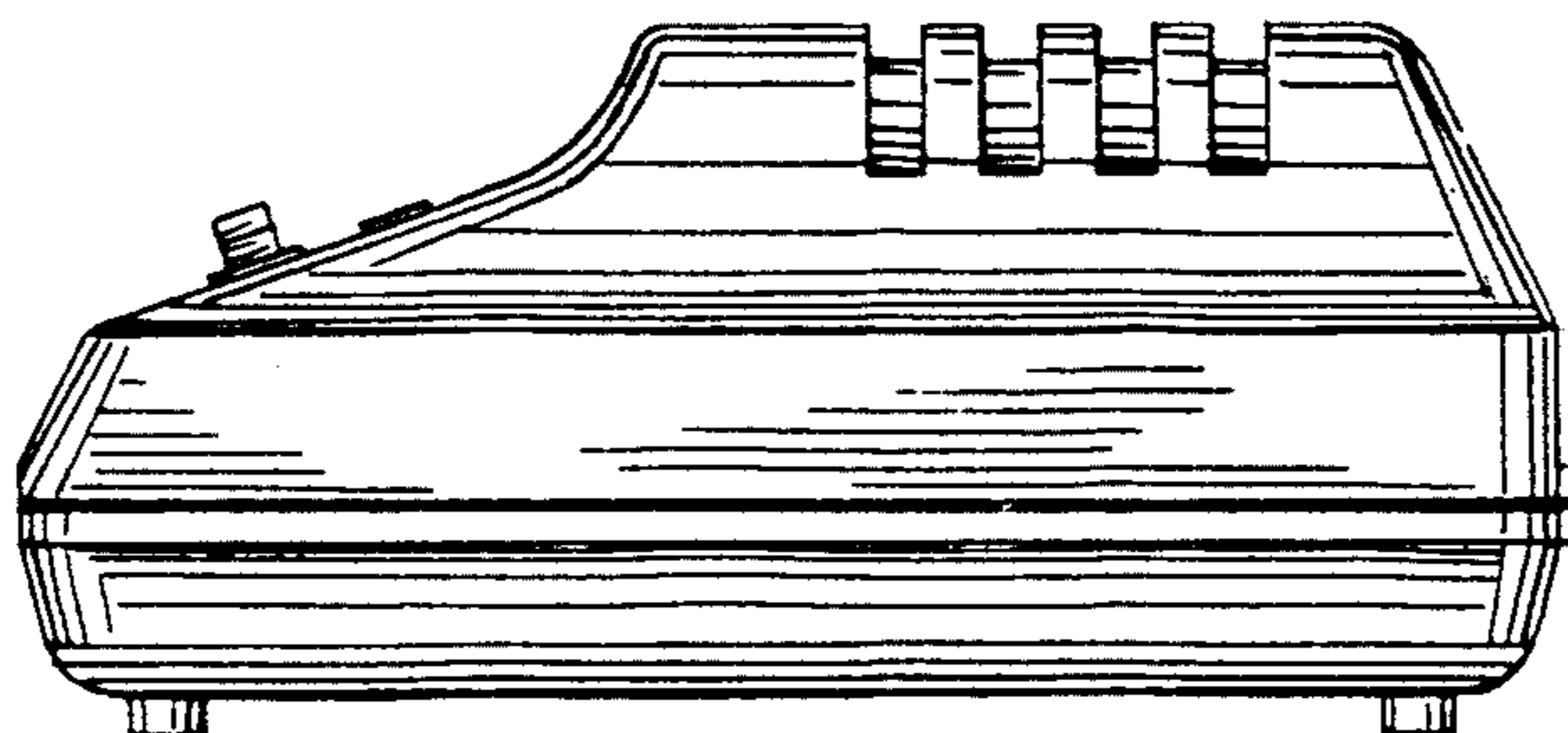


FIG.4

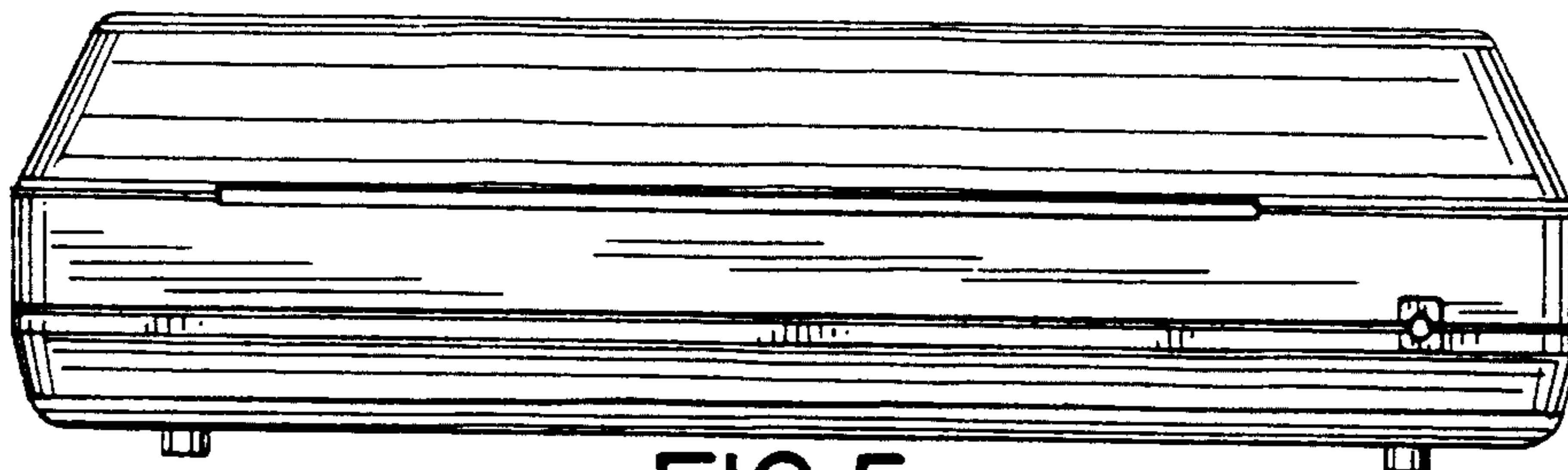


FIG.5

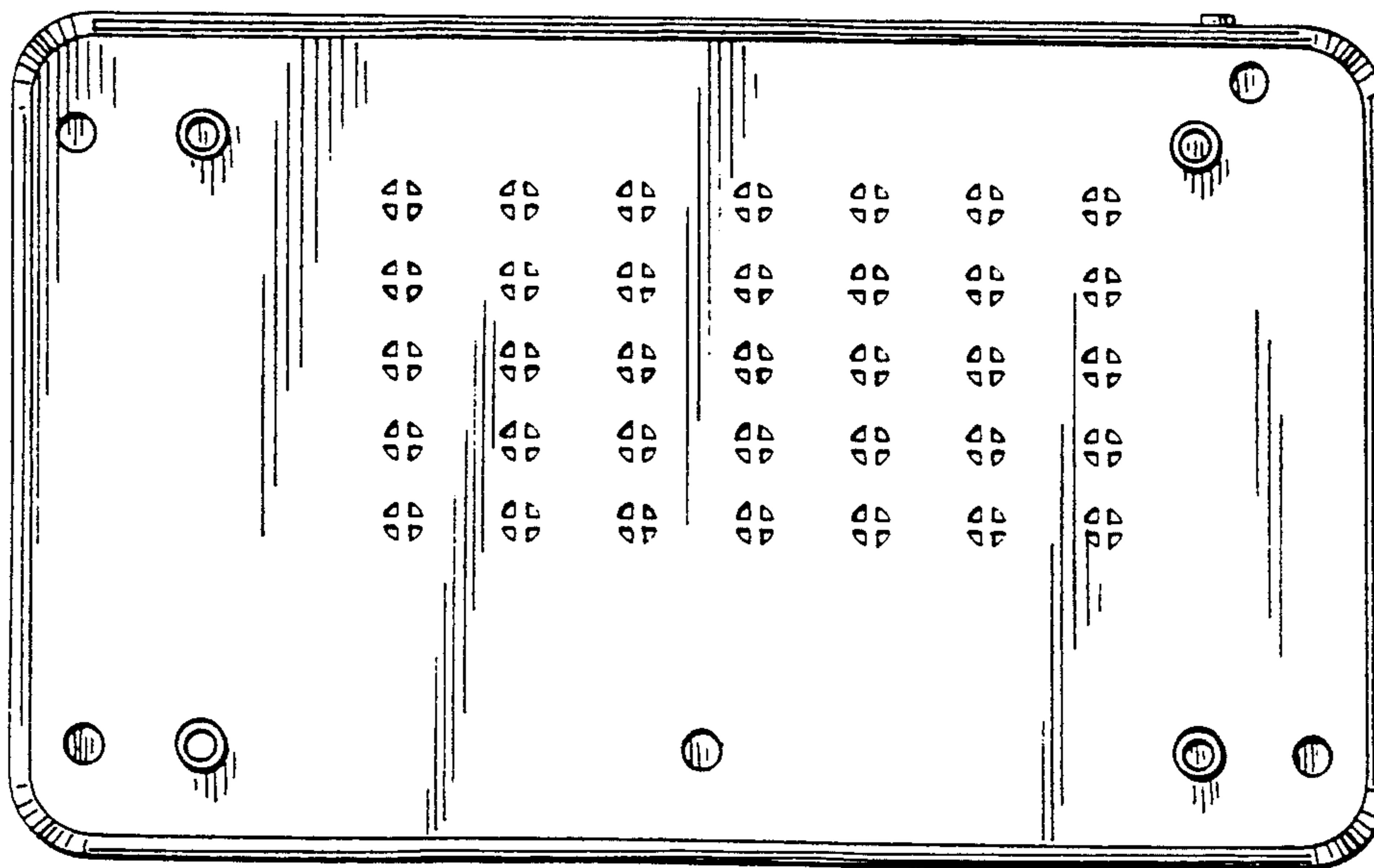


FIG.6