



US00D345984S

United States Patent [19]

[11] Patent Number: **Des. 345,984**

Ishikawa et al.

[45] Date of Patent: **** Apr. 12, 1994**

[54] **CUTTER INSERT**

[75] Inventors: **Youichi Ishikawa; Osamu Ichinoseki,**
both of Ibaraki, Japan

[73] Assignee: **Mitsubishi Materials Corporation,**
Tokyo, Japan

[**] Term: **14 Years**

[21] Appl. No.: **869,149**

[22] Filed: **Apr. 14, 1992**

[52] U.S. Cl. **D15/139**

[58] Field of Search **407/110-117;**
D15/138, 139

[56] **References Cited**

U.S. PATENT DOCUMENTS

D. 308,975	7/1990	Niebauer	D15/139	X
4,367,990	1/1983	Pocat et al.	D15/139	X
4,808,045	2/1989	Tsujimura et al.	408/204	
5,180,258	1/1993	Bernadic	D15/139	X

OTHER PUBLICATIONS

Mitsubishi Metal Corporation, "Mitsubishi Carbide Turning System", CE002, 7.89.N(8B).

Japanese Utility Model Application Laid Open No. Sho63-158708.

Primary Examiner—Alan P. Douglas
Assistant Examiner—Antoine D. Davis
Attorney, Agent, or Firm—Cushman, Darby & Cushman

[57] **CLAIM**

The ornamental design for a cutter insert, as shown and described.

DESCRIPTION

FIG. 1 is a perspective view of a cutter insert showing our new design;
FIG. 2 is a front elevation view thereof;
FIG. 3 is a rear elevation view thereof;
FIG. 4 is a right side elevation view thereof;
FIG. 5 is a left side elevation view thereof;
FIG. 6 is a top plan view thereof;
FIG. 7 is a bottom view thereof;
FIG. 8 is a cross-sectional view taken along line 8—8 in FIG. 2;
FIG. 9 is a cross-sectional view taken along line 9—9 in FIG. 2; and,
FIG. 10 is a cross-sectional view taken along line 10—10 in FIG. 2.

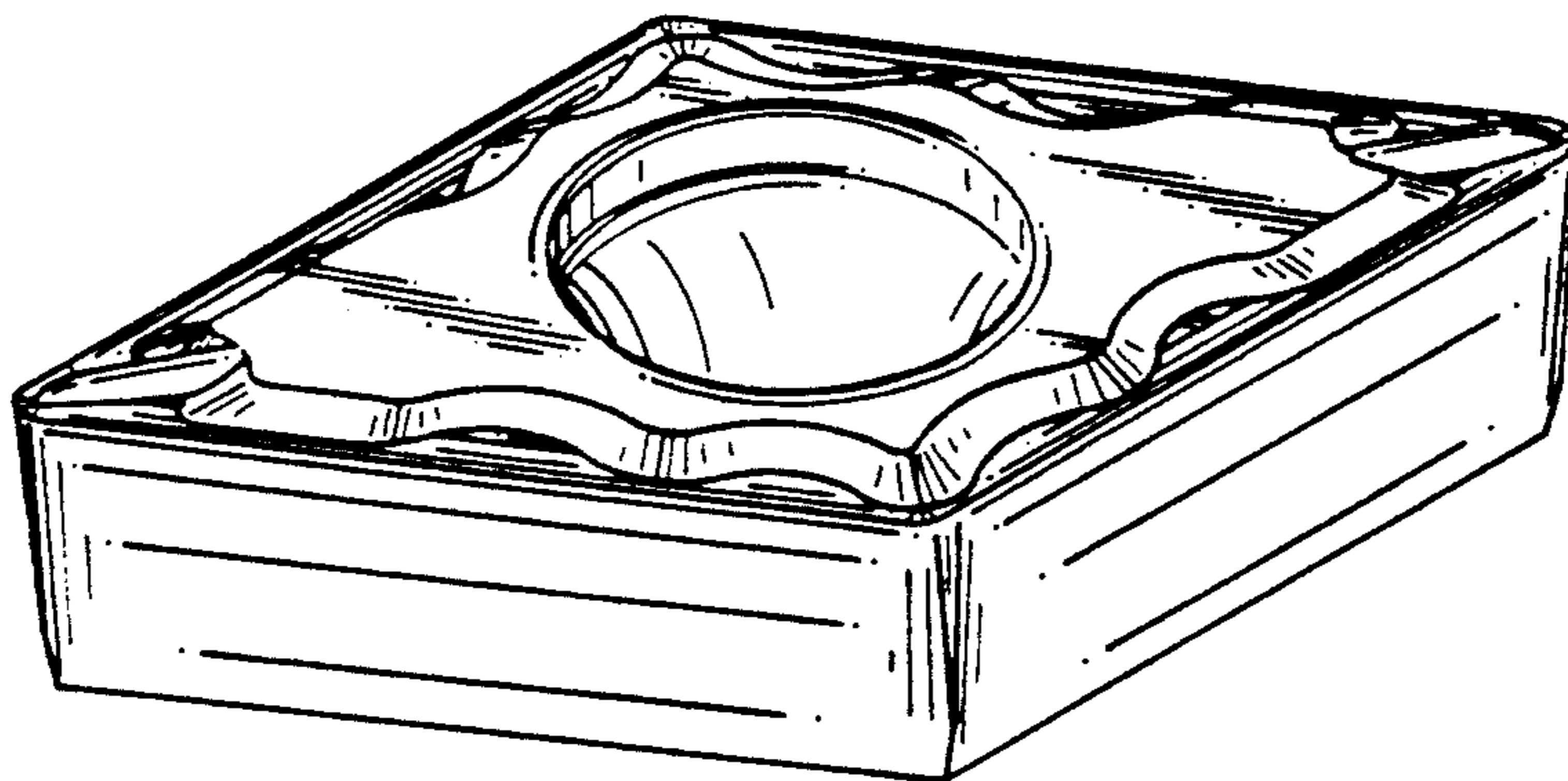


FIG.1

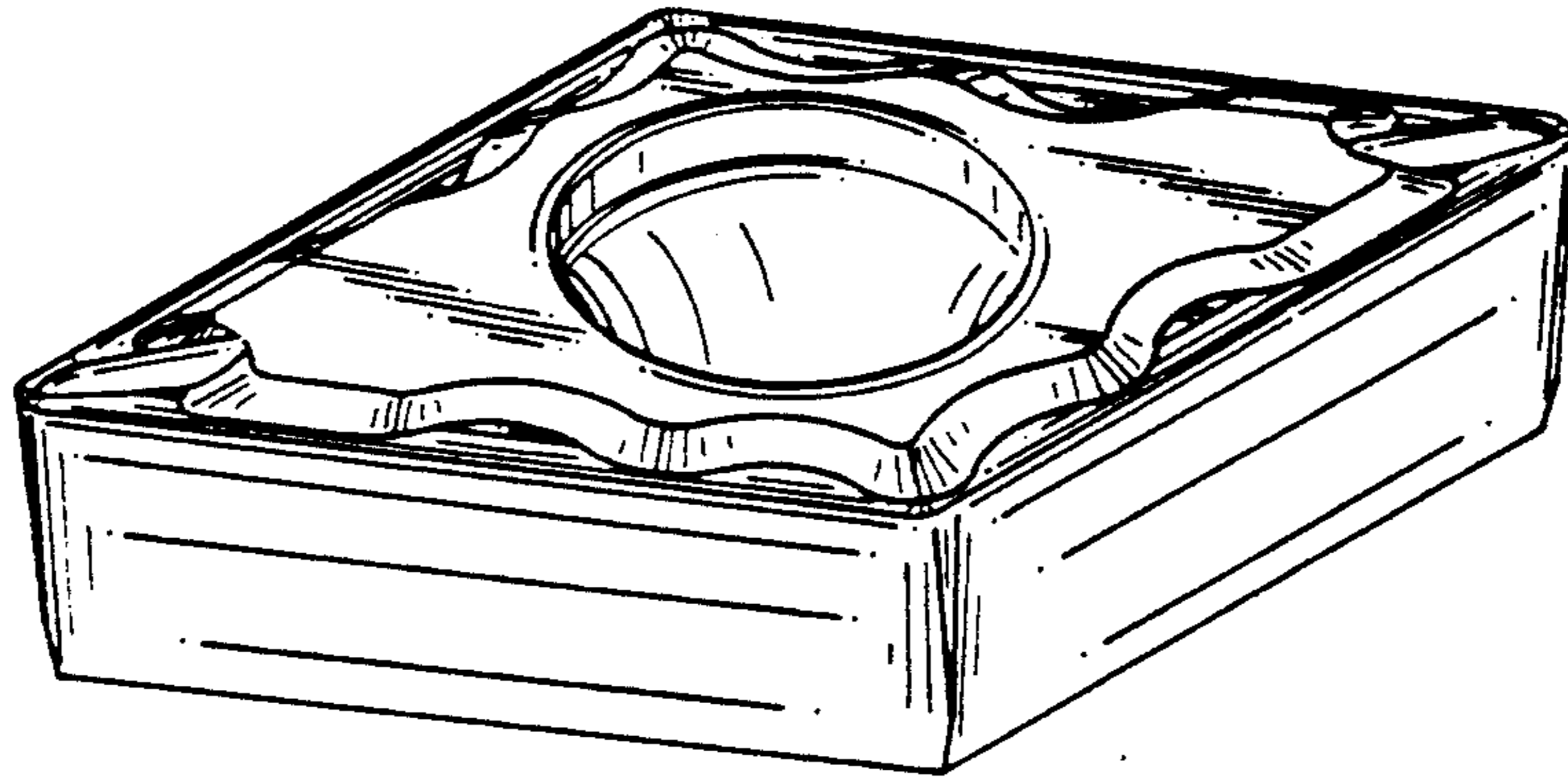


FIG.2

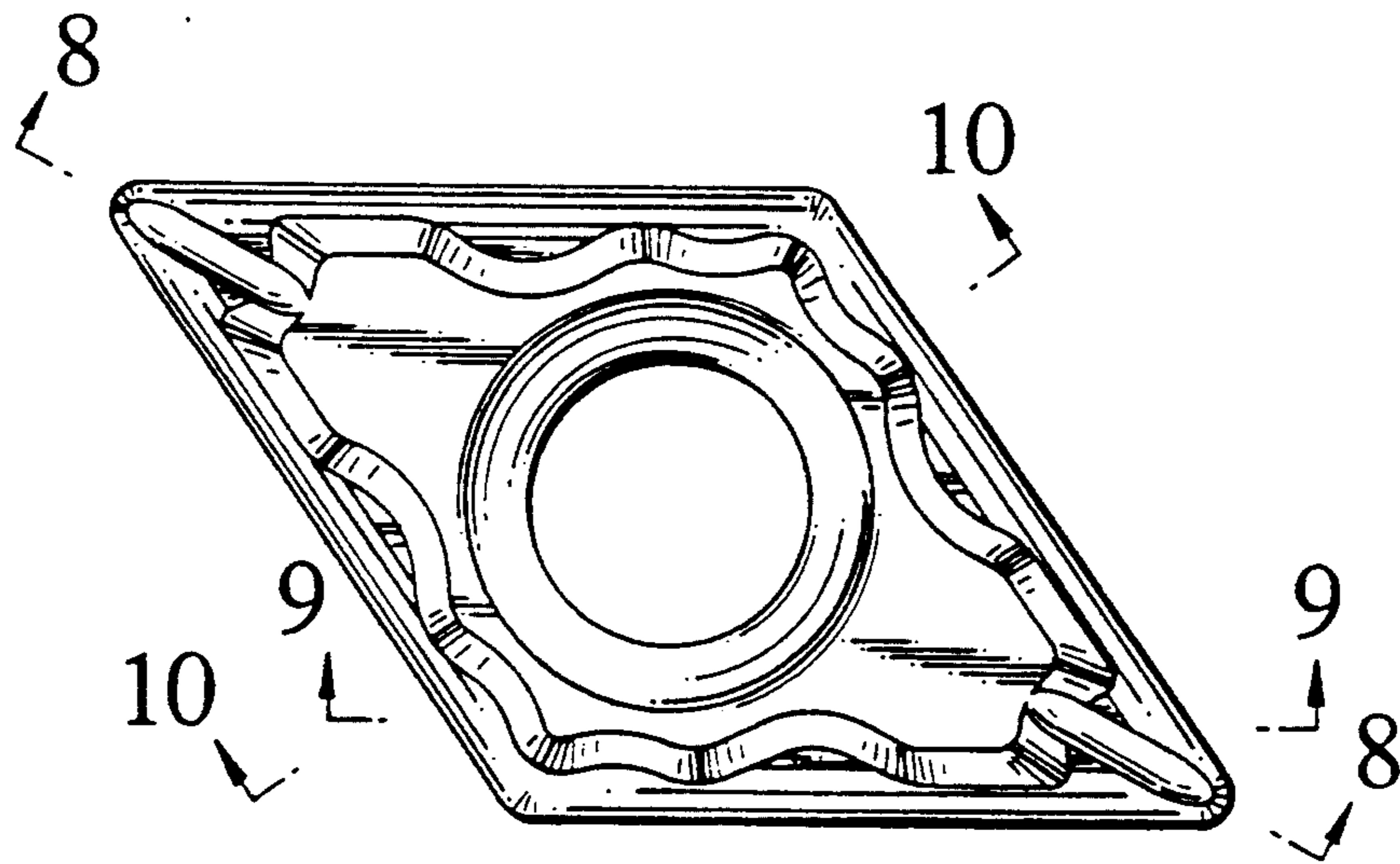


FIG.3

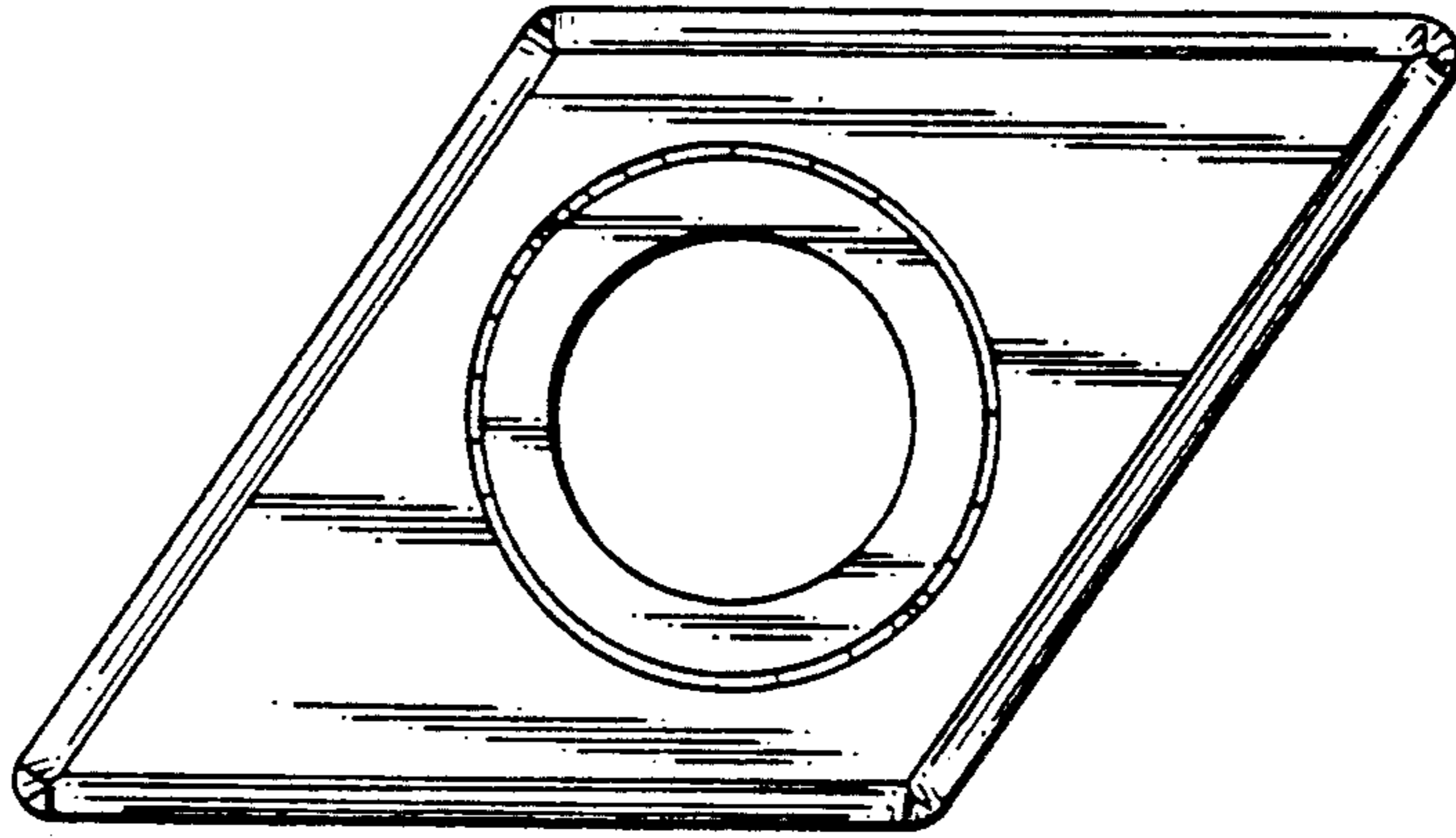


FIG.4

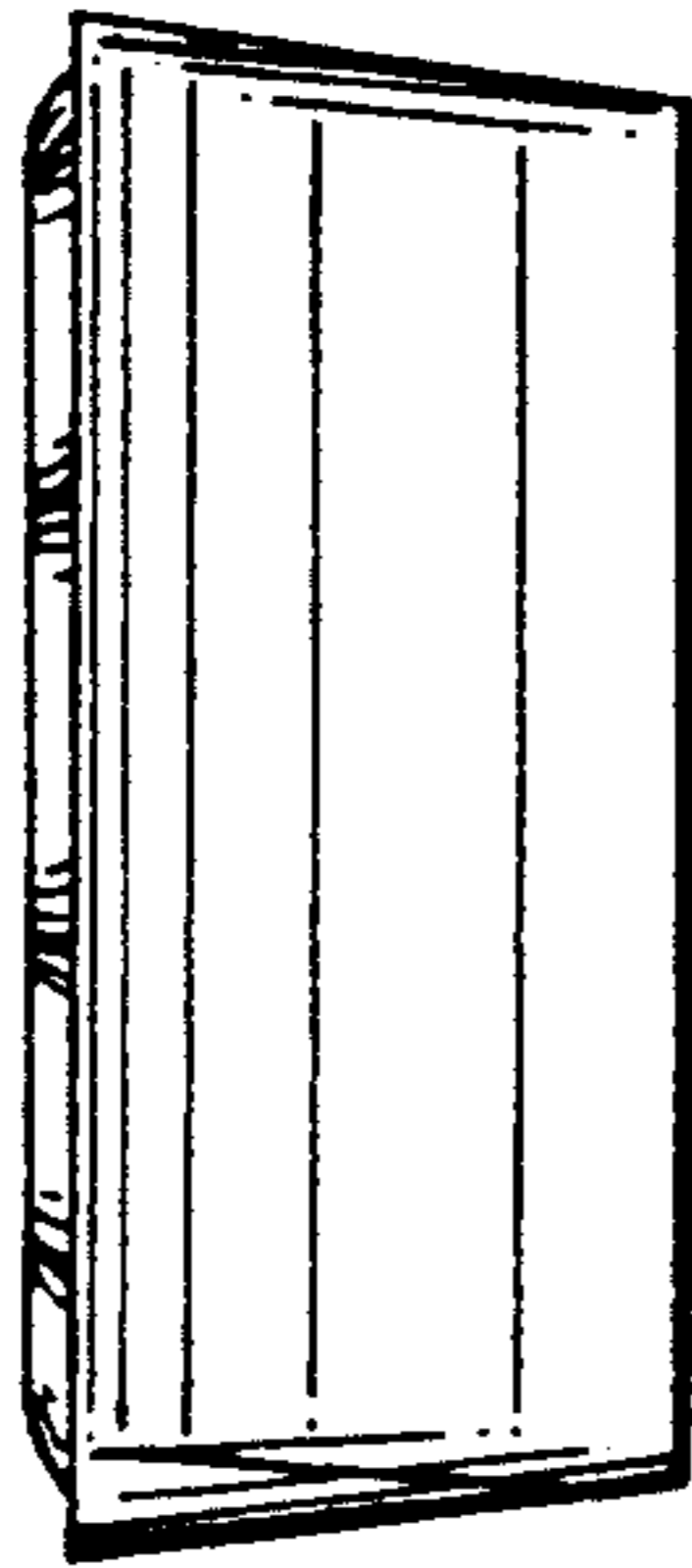


FIG.5

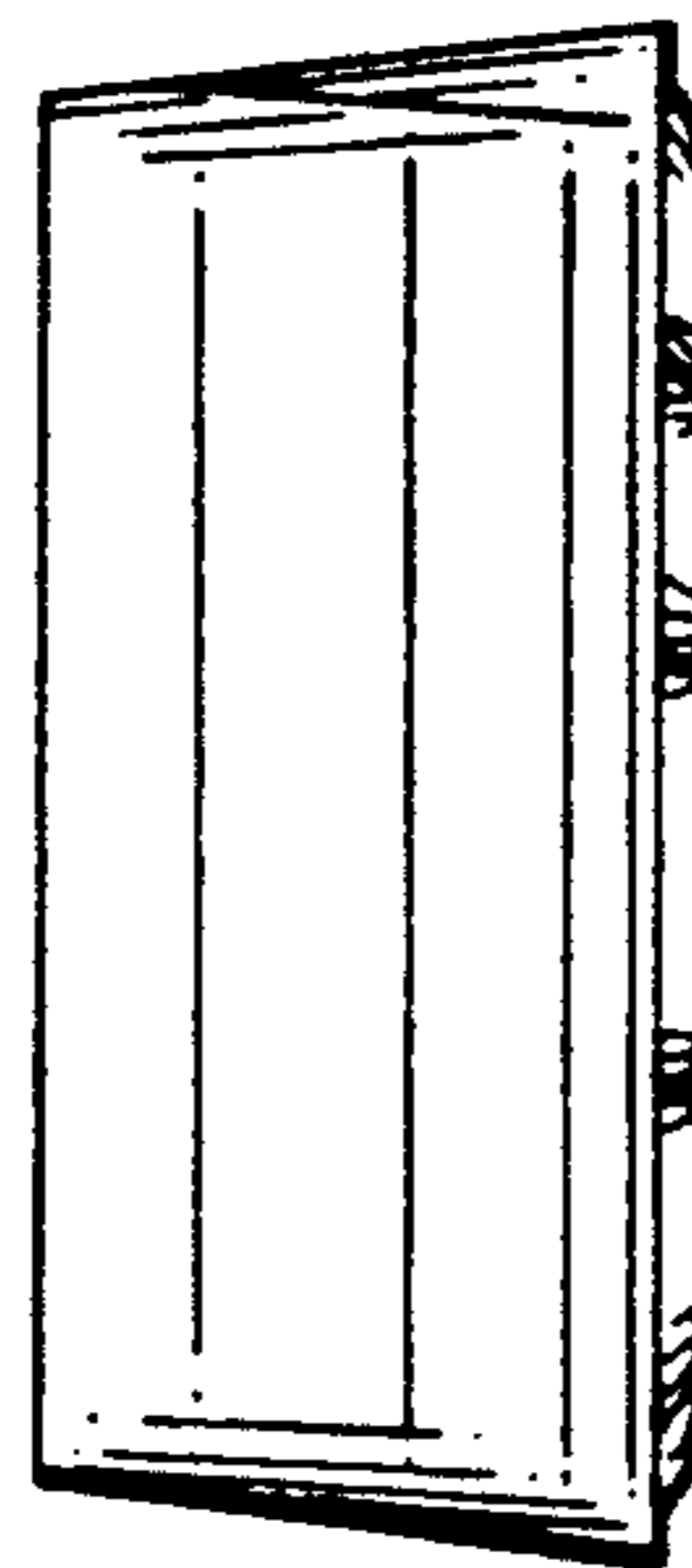


FIG.6

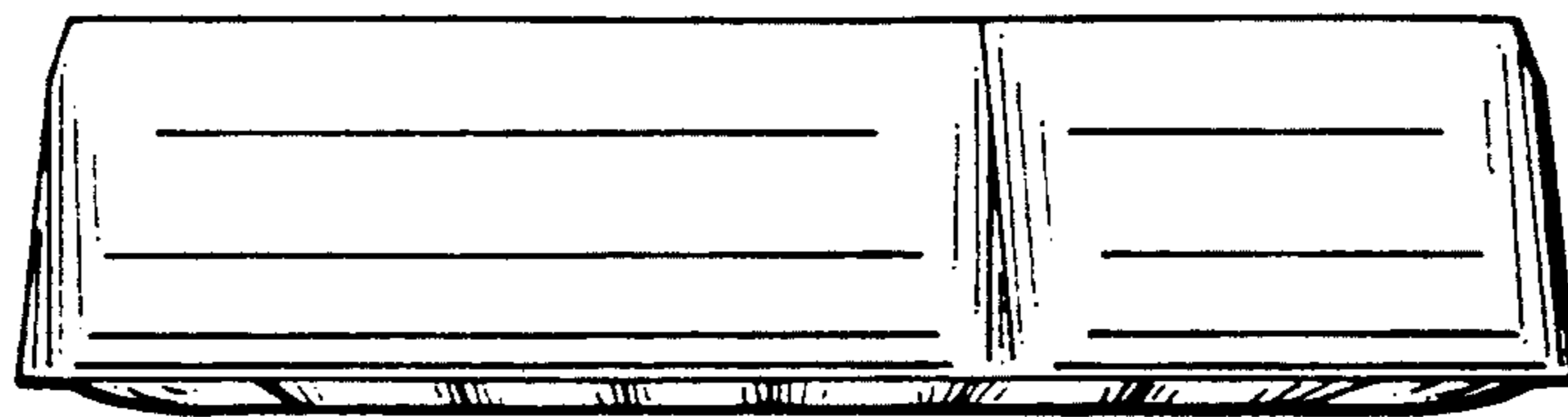


FIG.7

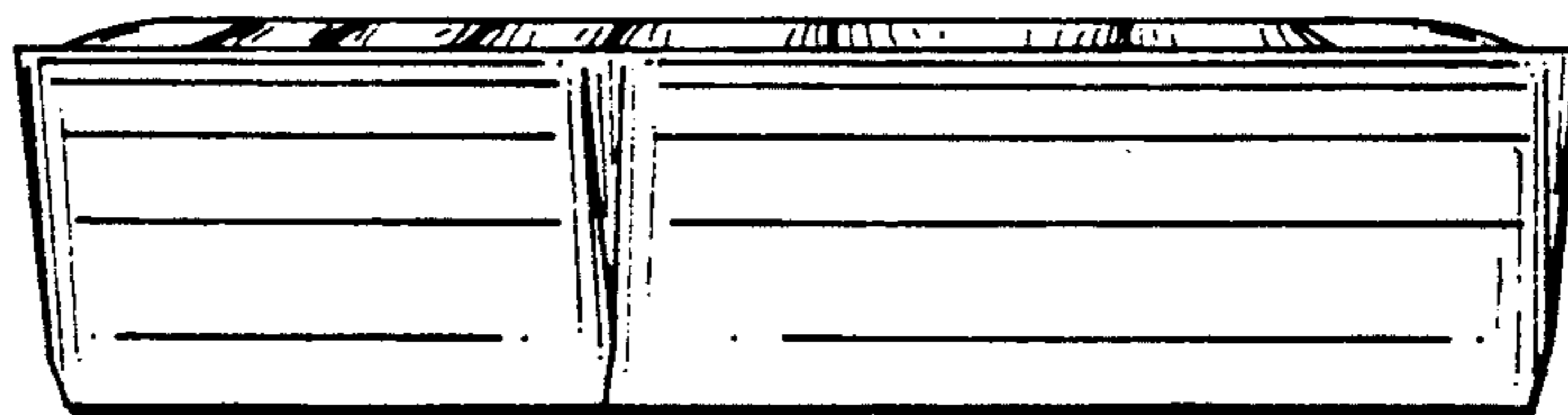


FIG.8

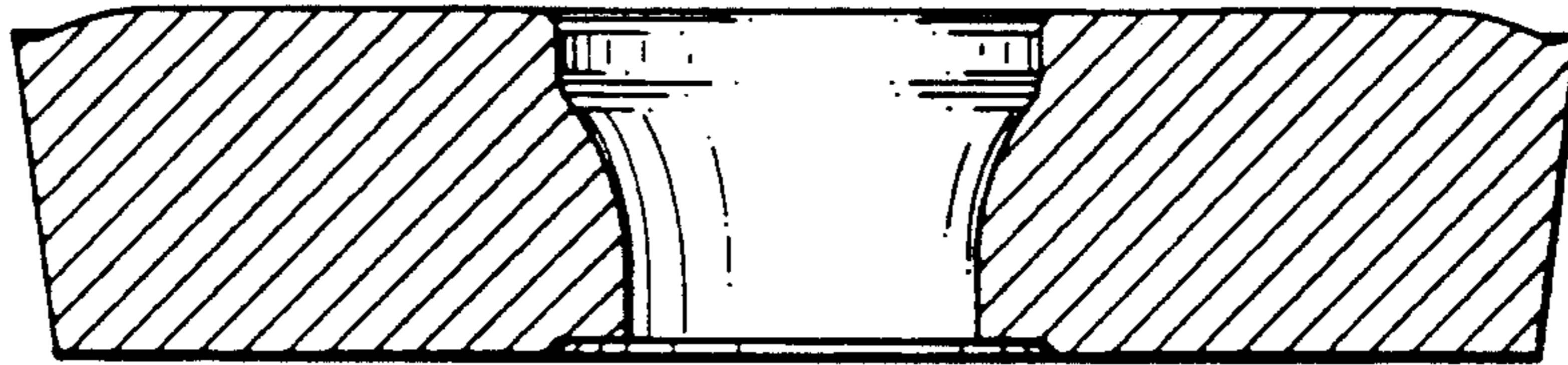


FIG.9

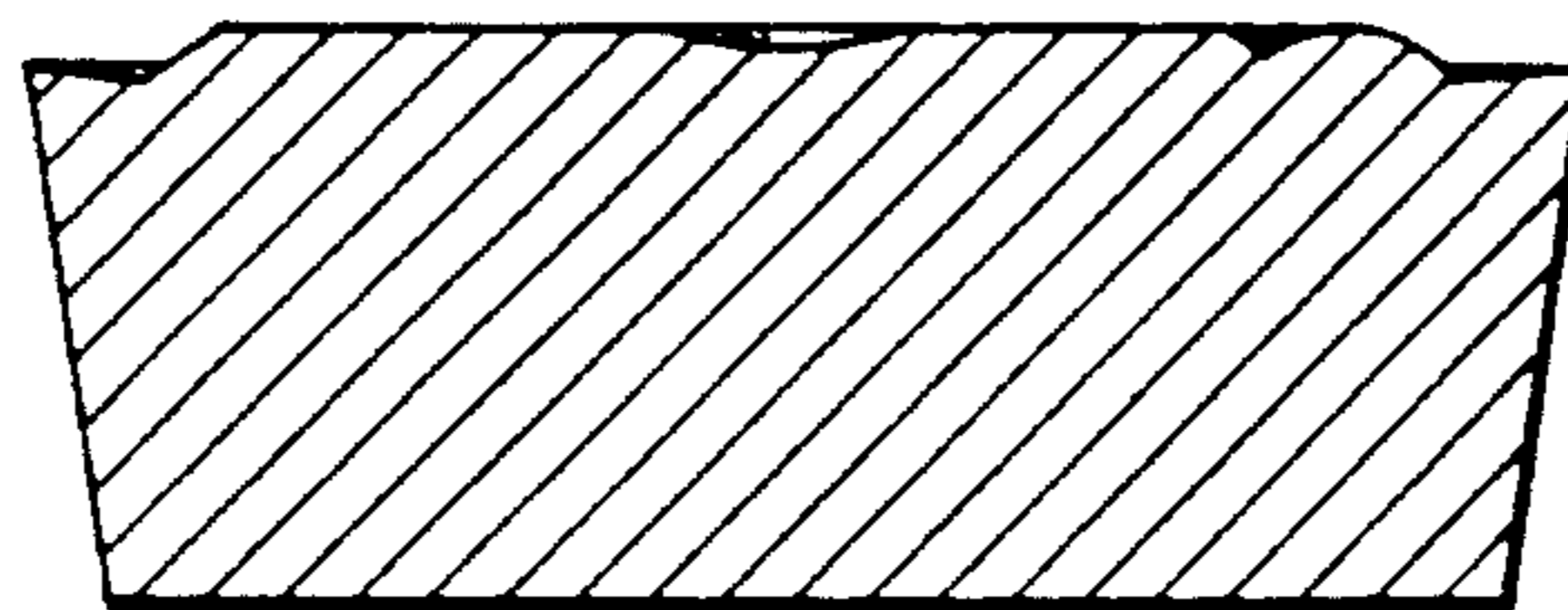


FIG.10

