



US00D345982S

United States Patent [19]

[11] Patent Number: **Des. 345,982**

Lucey

[45] Date of Patent: **** Apr. 12, 1994**

[54] BROADBAND ANTENNA

[75] Inventor: **Ed Lucey**, Los Gatos, Calif.

[73] Assignee: **RDI Electronics, Incorporated**, New Rochelle, N.Y.

[**] Term: **14 Years**

[21] Appl. No.: **830,347**

[22] Filed: **Jan. 31, 1992**

[52] U.S. Cl. **D14/230**

[58] Field of Search 343/702, 720, 726, 727,
343/728, 741, 742, 744, 748, 749, 752, 757, 758,
764, 797, 805, 833, 866, 869, 871, 880, 882, 900;
D14/230

[56] References Cited

U.S. PATENT DOCUMENTS

D. 156,379	12/1949	Spirt	343/805 X
D. 170,203	8/1953	Leonard	.
D. 306,862	3/1990	Kent	D14/230
D. 308,521	6/1990	Lonczak	D14/230
D. 310,671	9/1990	Weiss	D14/230
D. 321,883	11/1991	Borchardt	D14/230
4,090,203	5/1978	Duncan	343/797

OTHER PUBLICATIONS

The Power Wave 600 TV Antenna by Recoton HFD Magazine p. 143, Sep. 18, 1989.

Primary Examiner—Bernard Ansher
Assistant Examiner—Richelle Shelton
Attorney, Agent, or Firm—Kenyon & Kenyon

[57] CLAIM

The ornamental design for a broadband antenna, as shown and described.

DESCRIPTION

FIG. 1 is a perspective view taken from the front of a broadband antenna showing my new design;
 FIG. 2 is a perspective view taken from the rear of the broadband antenna of FIG. 1;
 FIG. 3 is a front elevational view thereof;
 FIG. 4 is a top plan view thereof;
 FIG. 5 is a rear elevational view thereof;
 FIG. 6 is a right side elevational view, the left side being a mirror image thereof;
 FIG. 7 is a bottom plan view thereof;
 FIG. 8 is a right side elevational view thereof, with the antenna tilted 30° from the vertical position of FIG. 6; and,
 FIG. 9 is a top plan view thereof, with the antenna rotated 45° from the horizontal position of FIG. 4.
 The broken line showing of the dipoles is for illustrative purposes only and forms no part of the claimed design.



FIG. 2

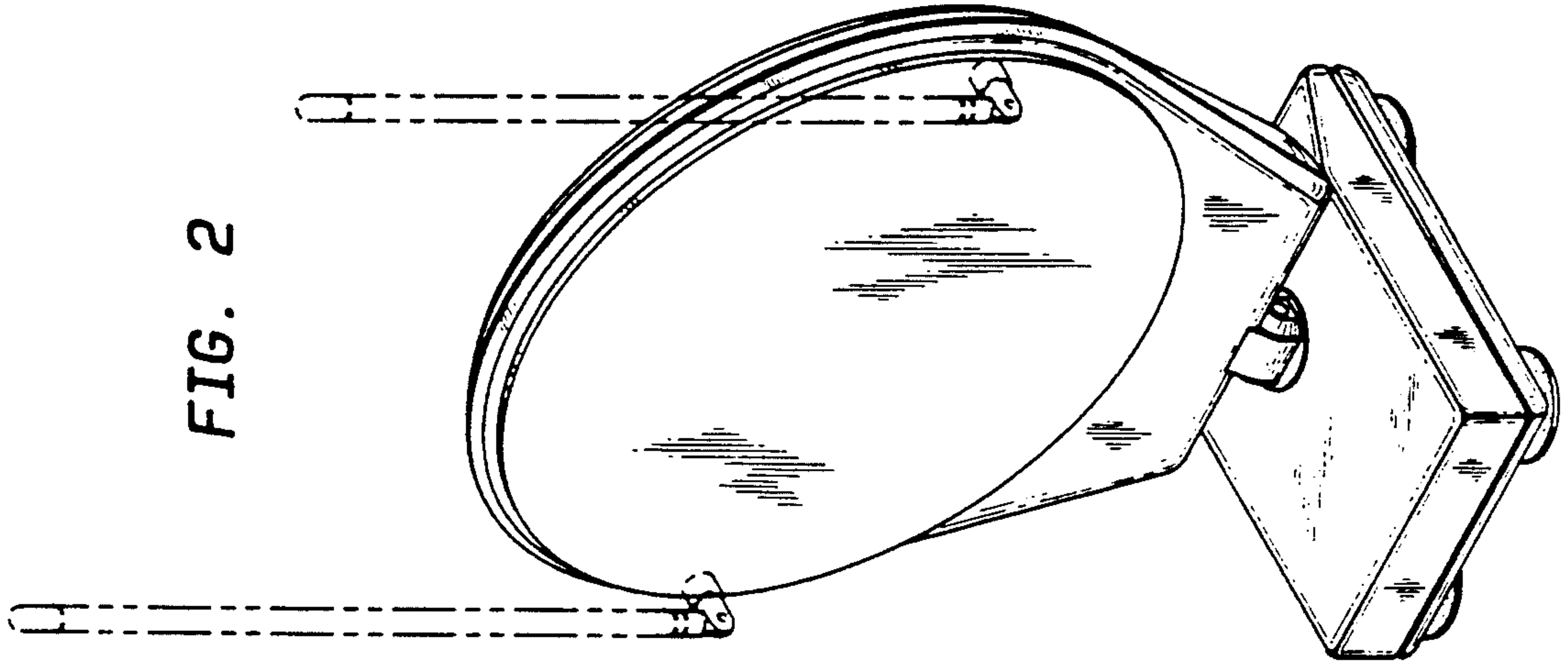
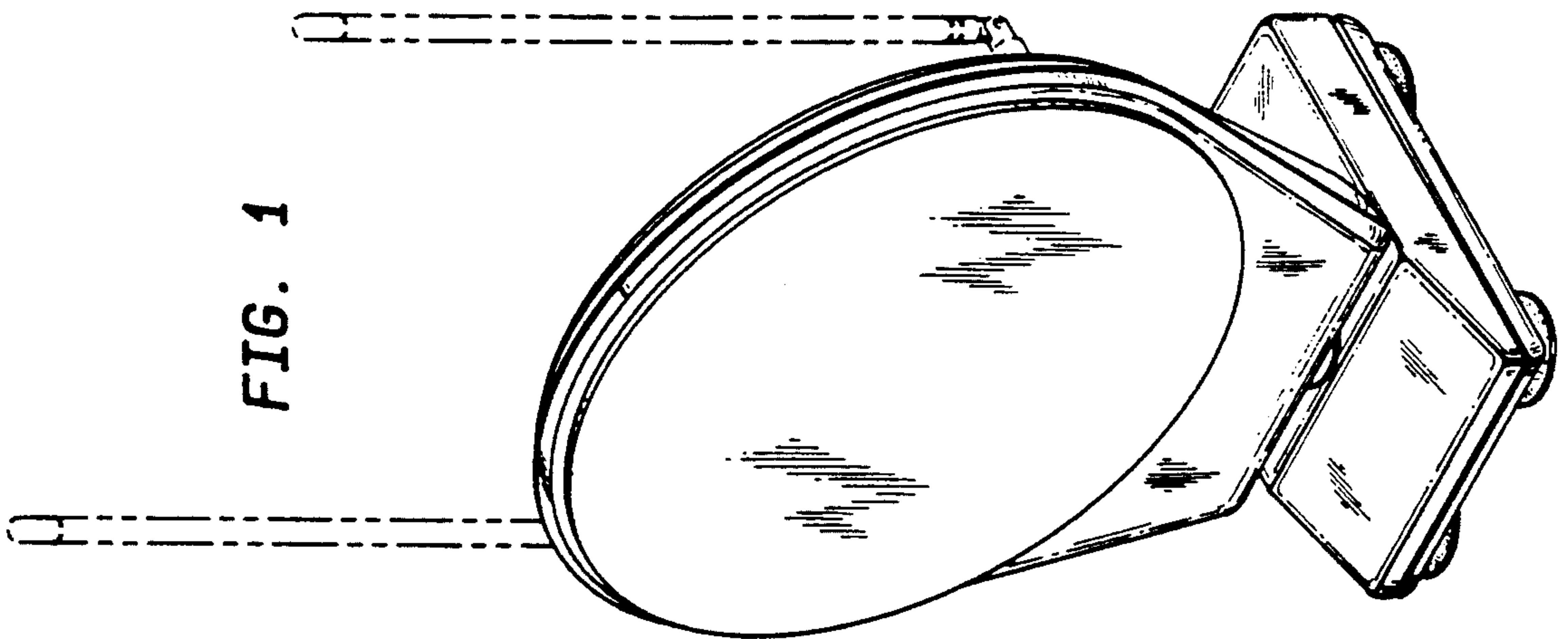


FIG. 1



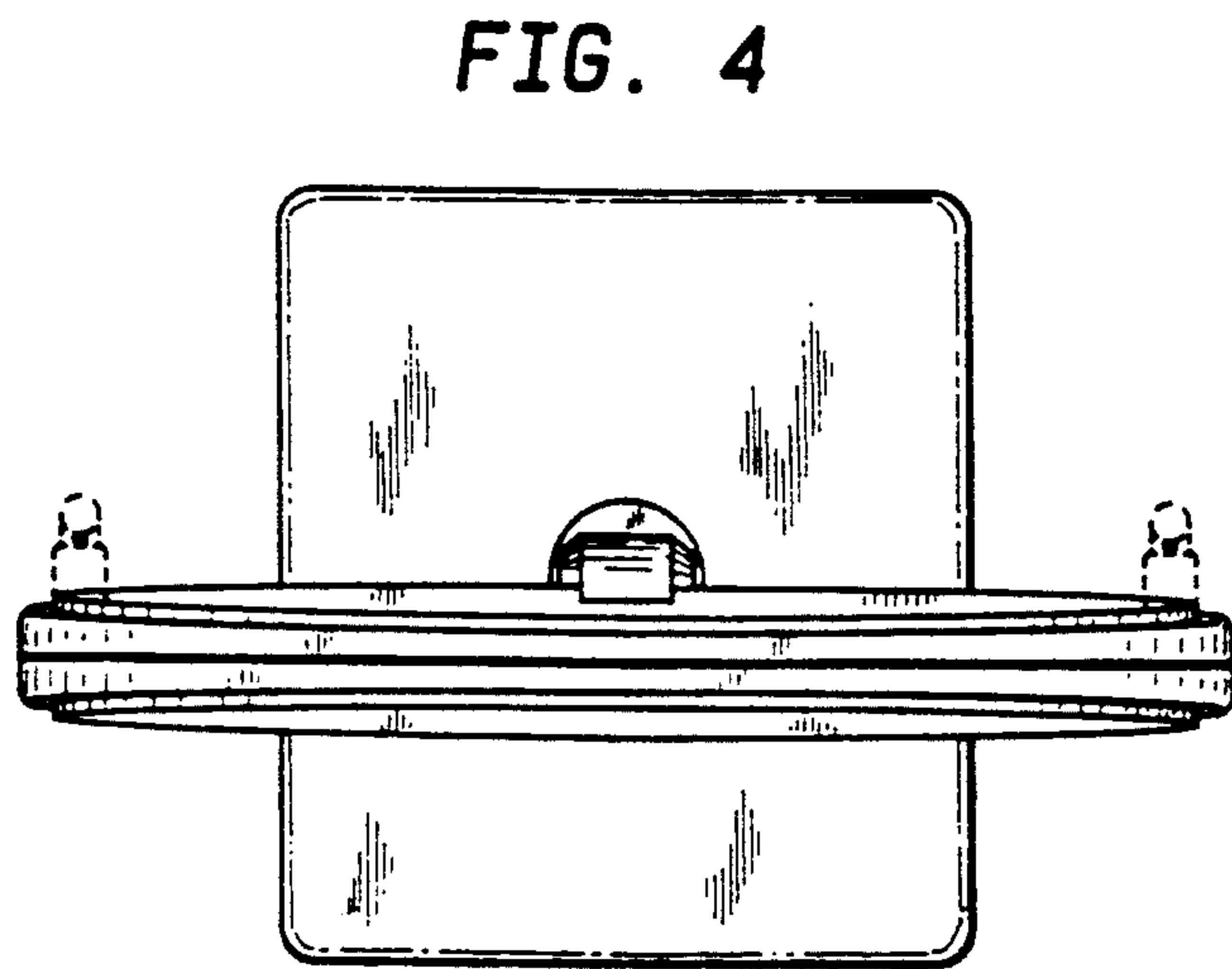
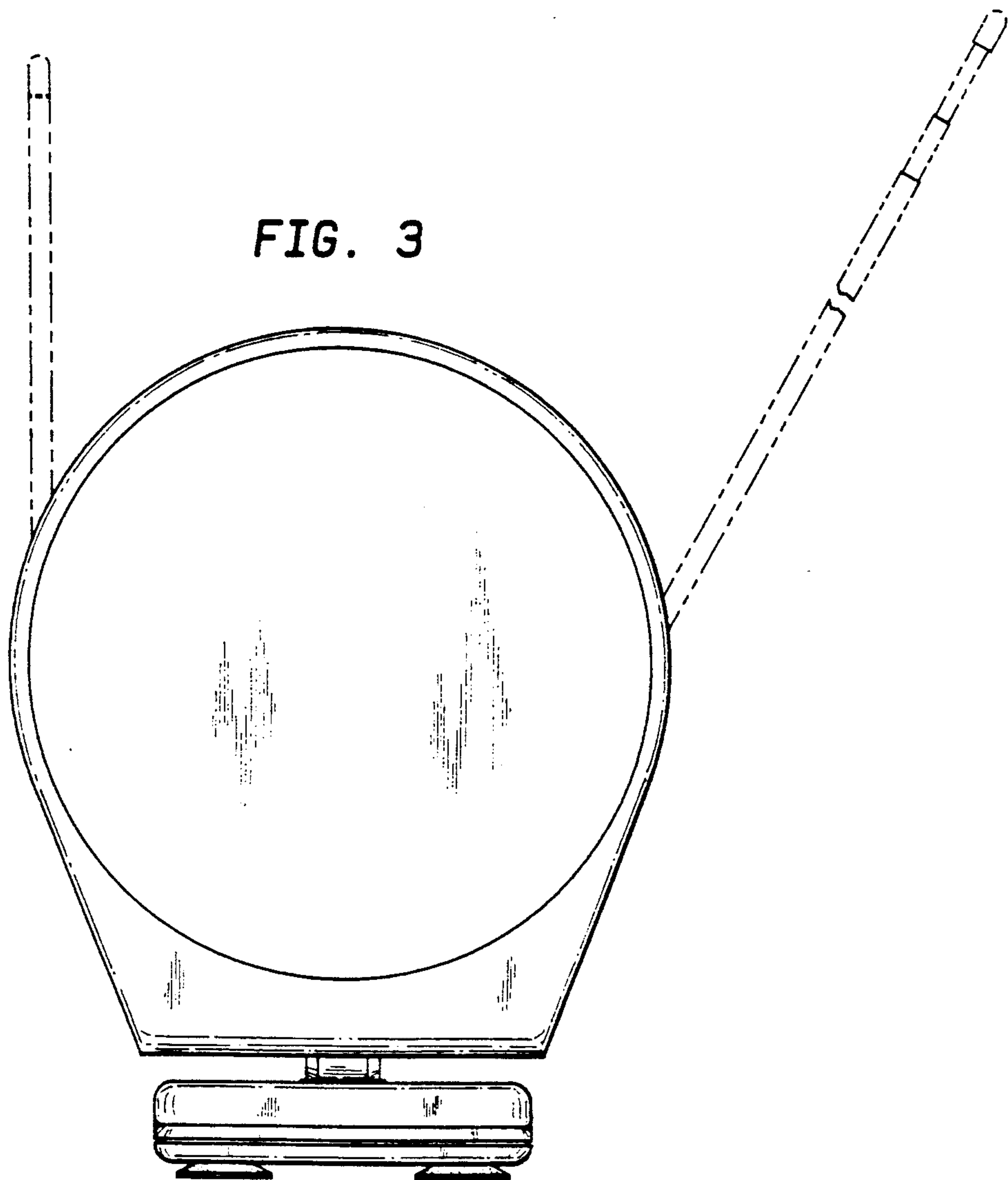


FIG. 5

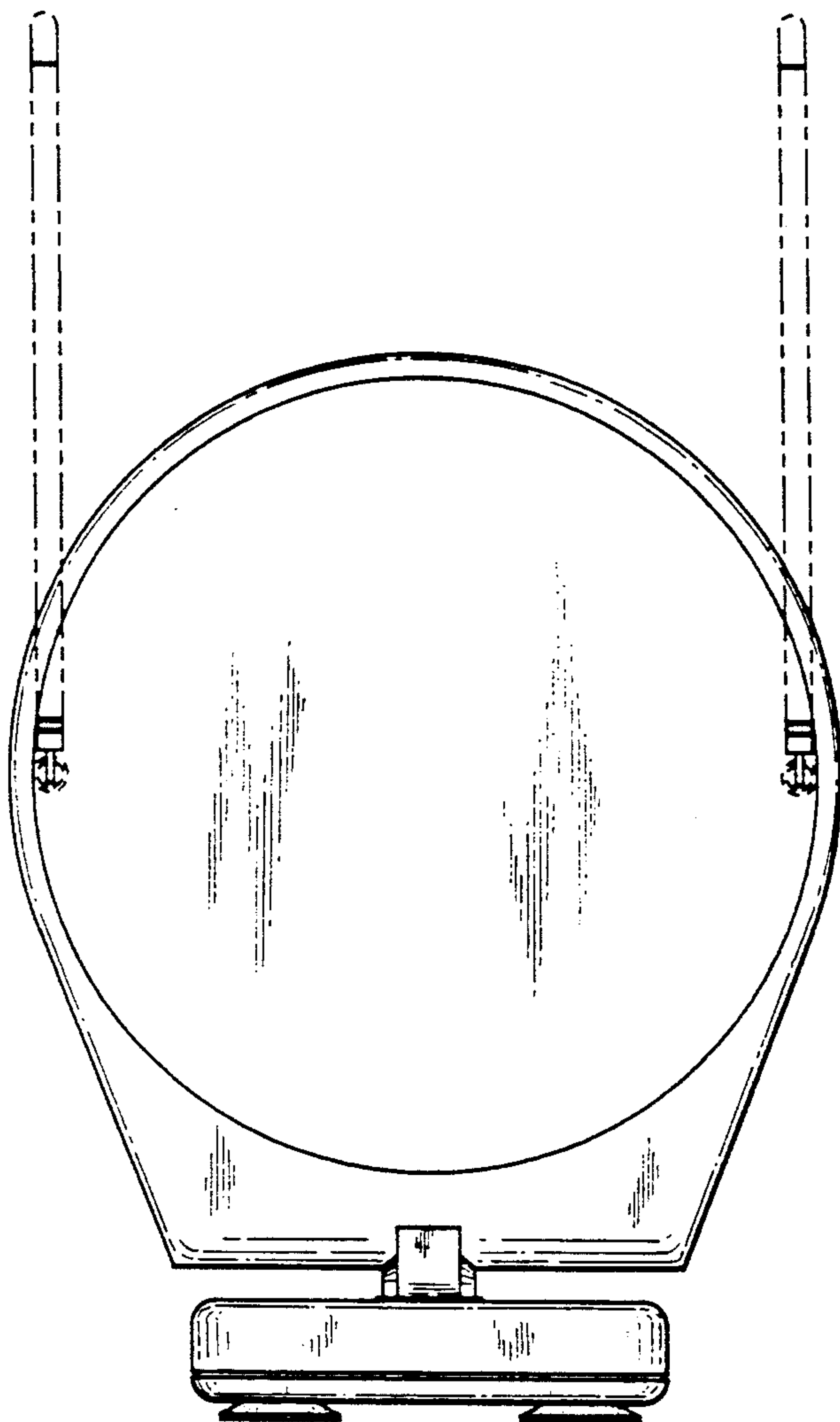


FIG. 6

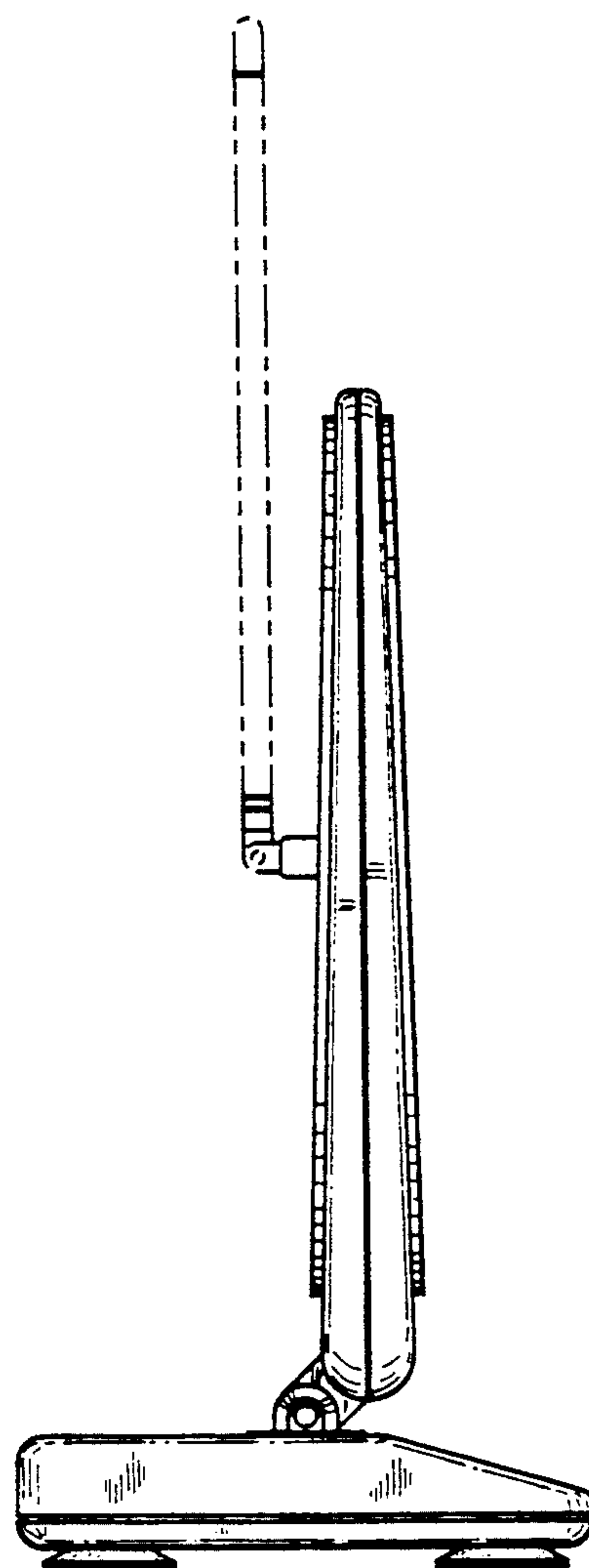
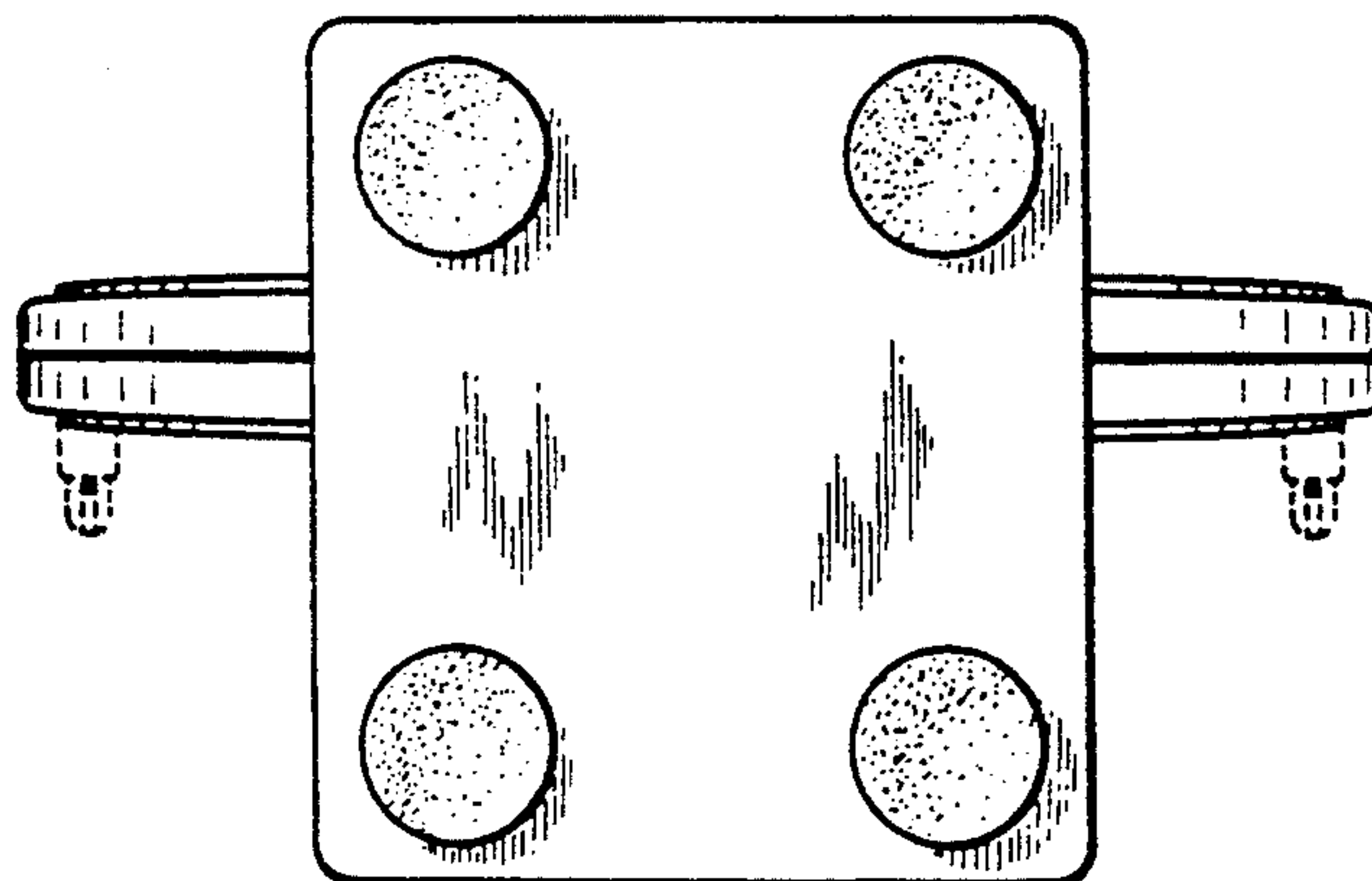


FIG. 7



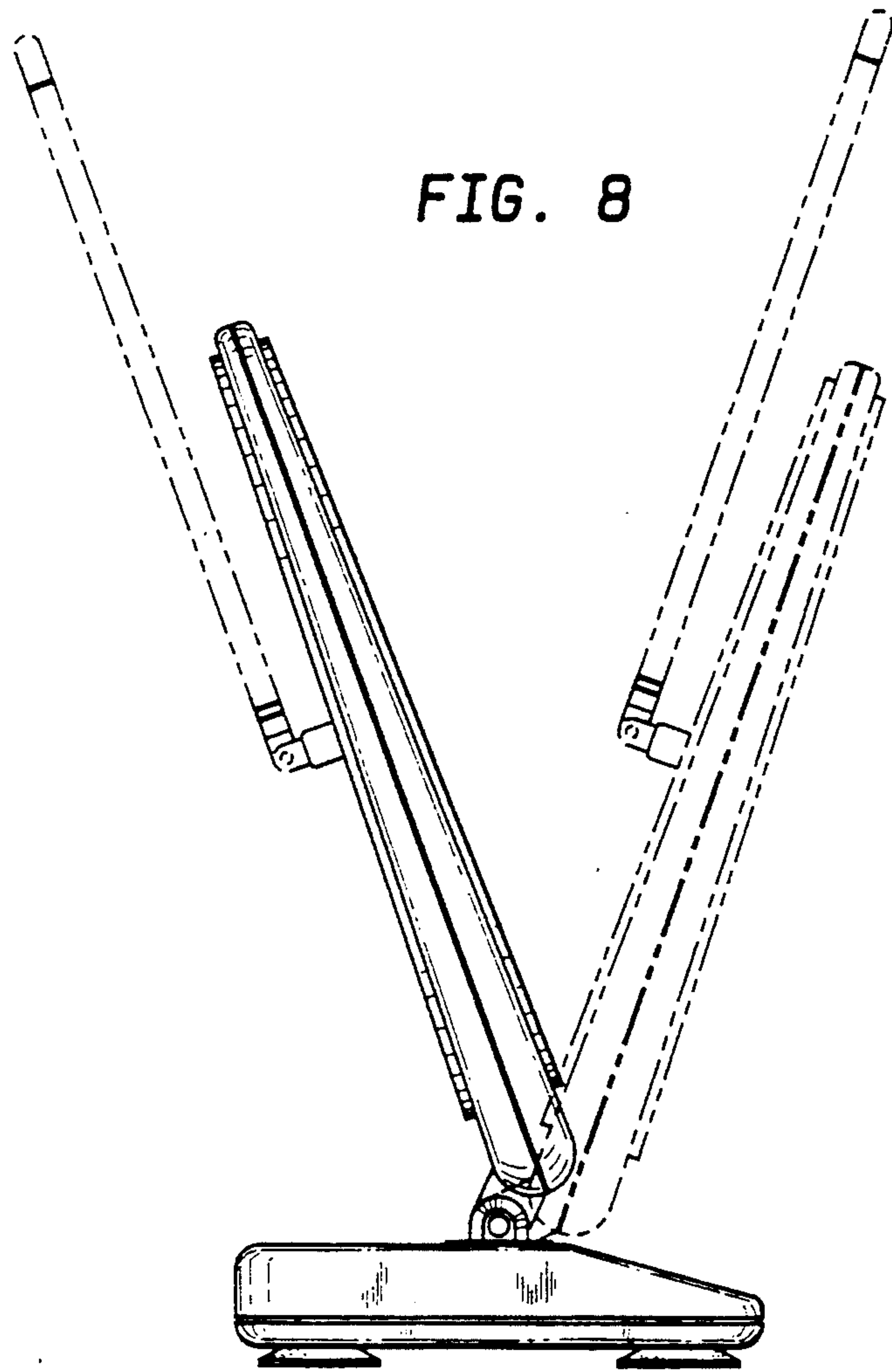


FIG. 9

