



US00D345972S

United States Patent [19]

[11] Patent Number: **Des. 345,972**

Grewe et al.

[45] Date of Patent: **** Apr. 12, 1994**

[54] VIDEO TELEPHONE SET

[75] Inventors: **Anthony J. Grewe, Fishers, Ind.;**
John N. McGarvey, Drexel Hill, Pa.;
Michael P. Zambelli, Livingston,
N.J.

D. 319,056 8/1991 Fuqva et al D14/241 X
D. 321,870 11/1991 Beecher, II et al. D14/130
D. 328,076 7/1992 Hahiwara D14/241

[73] Assignee: **AT&T Bell Laboratories, Murray**
Hill, N.J.

Primary Examiner—Nelson C. Holtje
Assistant Examiner—Jeffrey Asch
Attorney, Agent, or Firm—Michael A. Morra

[**] Term: **14 Years**

[57] **CLAIM**

[21] Appl. No.: **2,088**

The ornamental design for a video telephone set, as shown and described.

[22] Filed: **Dec. 3, 1992**

DESCRIPTION

[52] U.S. Cl. **D14/130; D14/149**

FIG. 1 is a top, front and right side perspective view of a video telephone set showing our new design with a video display module in its closed position;

[58] Field of Search 379/53, 419, 428, 420,
379/433-436; D14/140, 142, 130, 149, 150, 151,
106, 240, 241

FIG. 2 is a top, front and right side perspective view of a video telephone set showing our new design with the video display module in its opened position;

[56] **References Cited**

U.S. PATENT DOCUMENTS

- D. 281,423 11/1985 Oshima et al. D14/58
- D. 281,880 12/1985 Kashima et al. D14/81
- D. 289,520 4/1987 Pushelberg D14/151
- D. 294,694 3/1988 Steward D14/53
- D. 303,522 9/1989 Meda et al. D14/106 X
- D. 308,970 7/1990 Takai et al. D14/130
- D. 315,557 3/1991 Grewe et al. D14/130

FIG. 3 is a top plan view thereof;
FIG. 4 is a front elevational view thereof;
FIG. 5 is a left side elevational view thereof;
FIG. 6 is a right side elevational view thereof;
FIG. 7 is a rear elevational view thereof; and,
FIG. 8 is a bottom plan view thereof.

The broken line showing of keys, lights, etc. is for illustrative purposes only and forms no part of the claimed design.

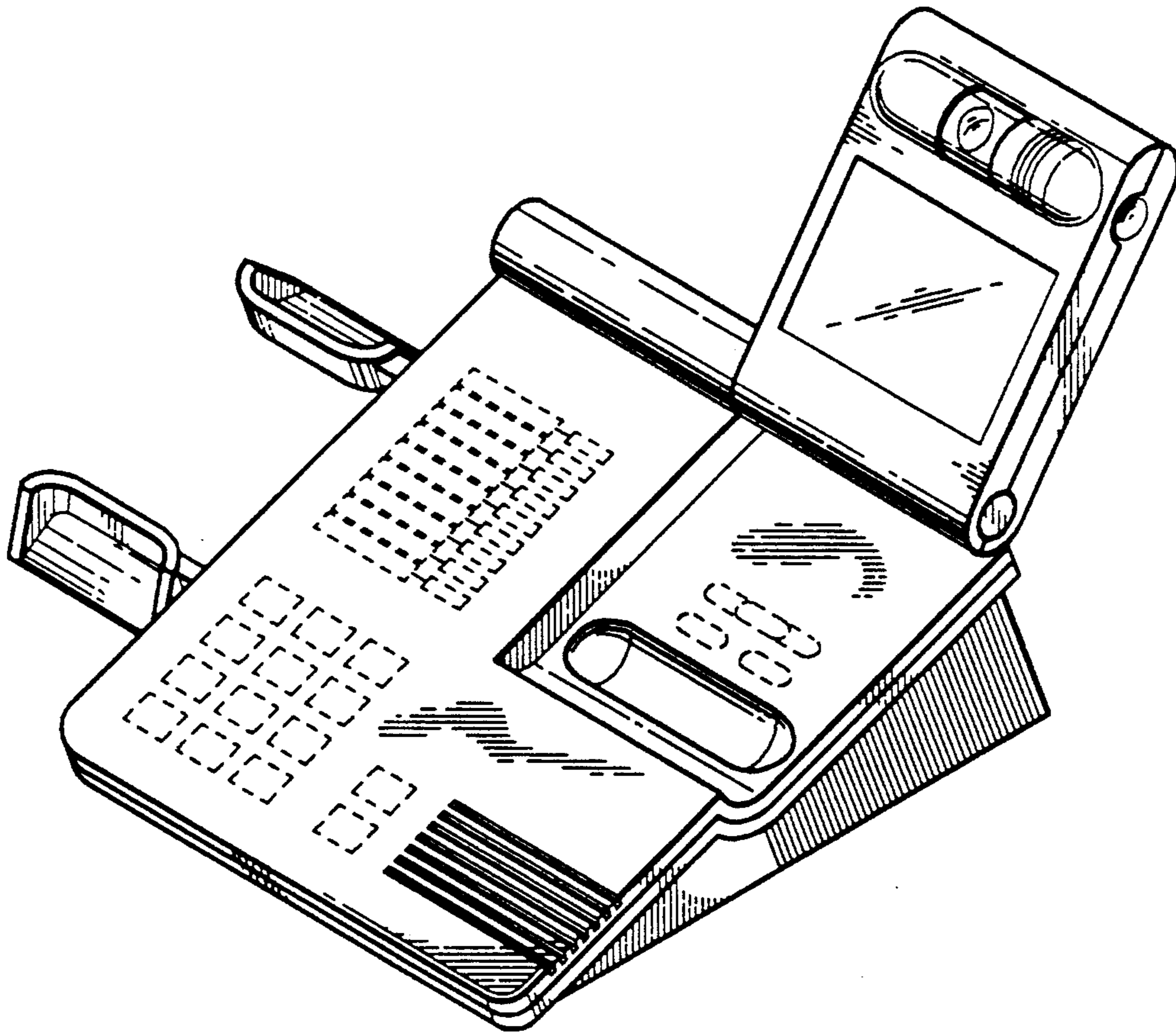


Fig. 1

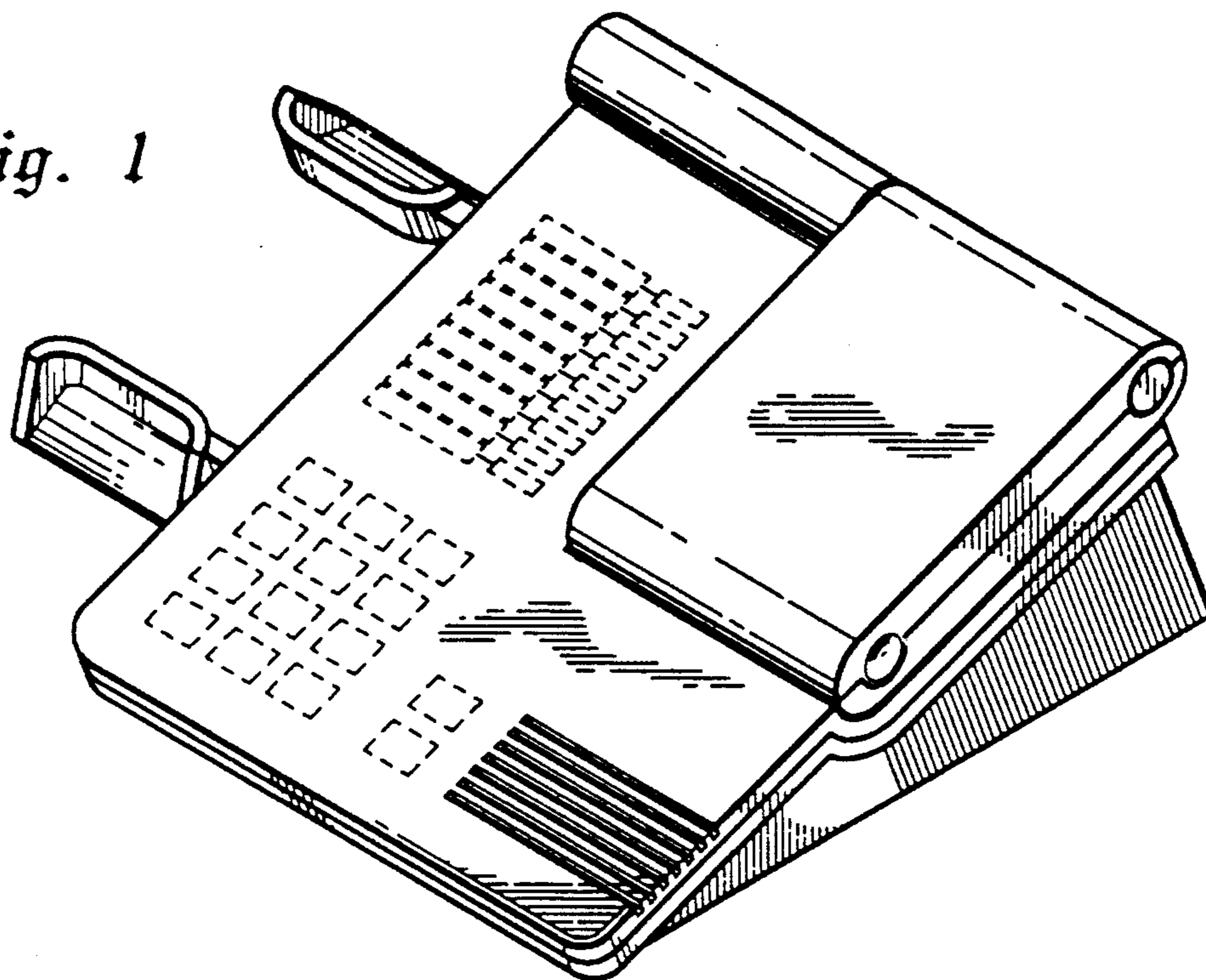


Fig. 2

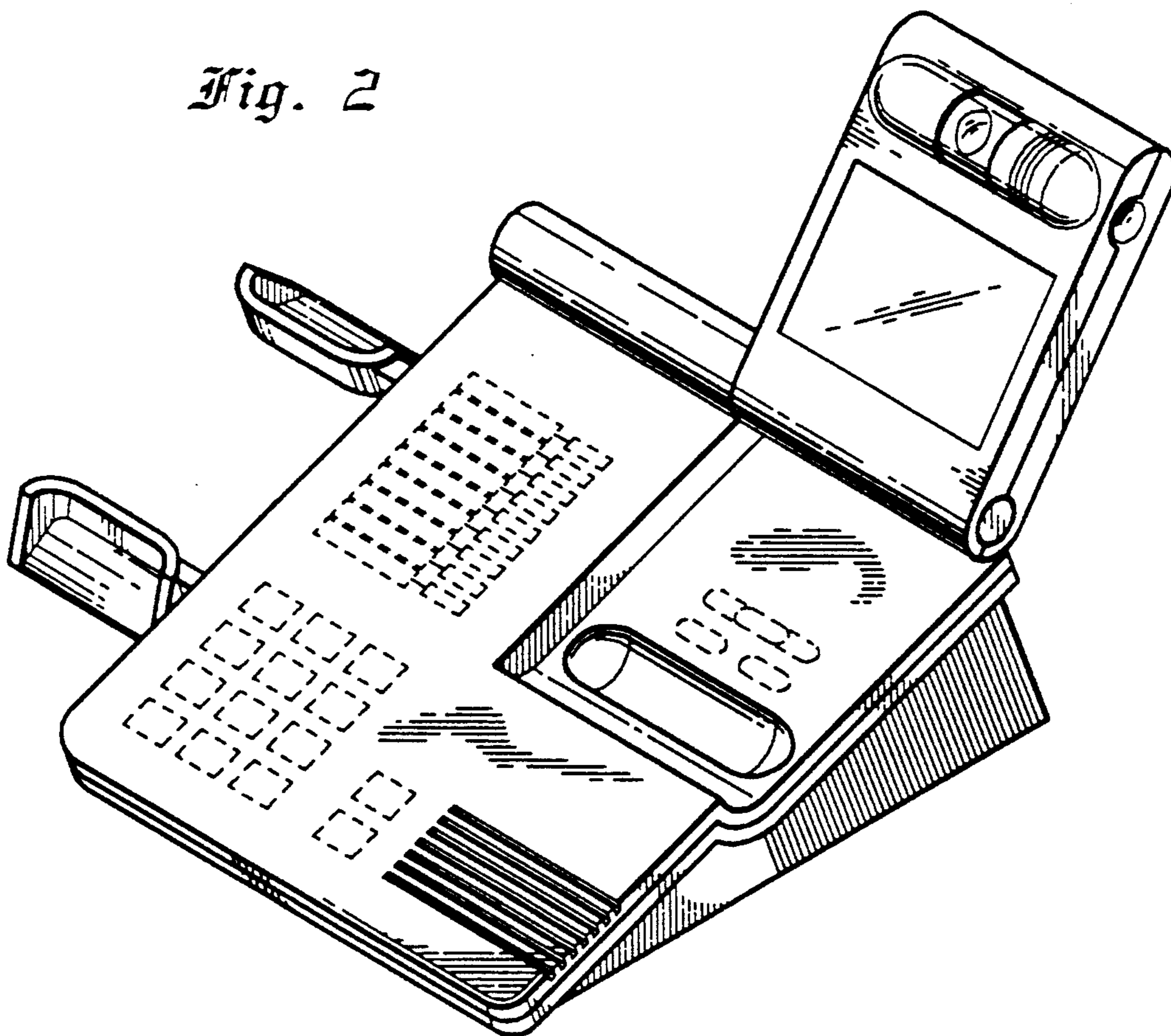


Fig. 3

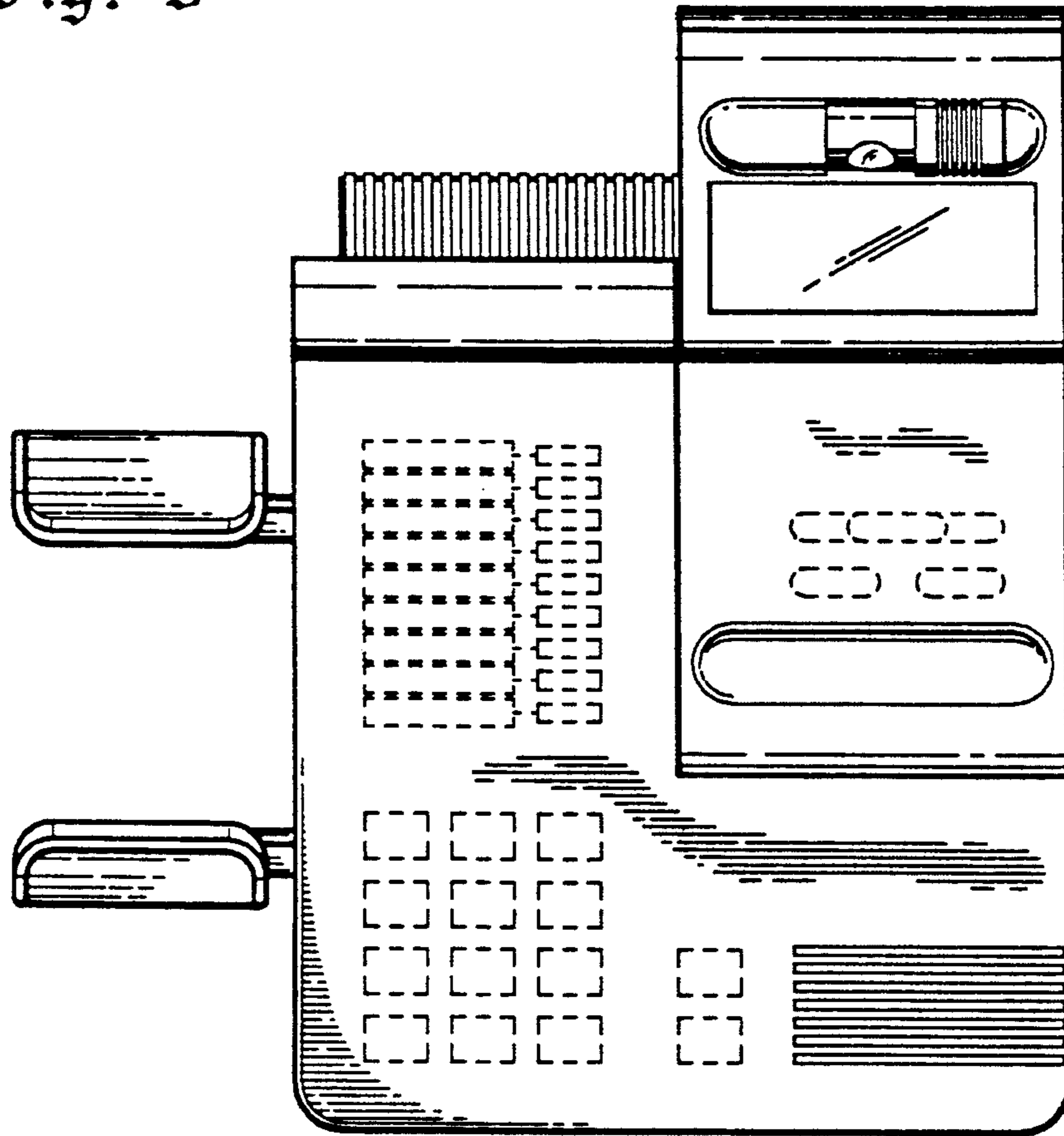
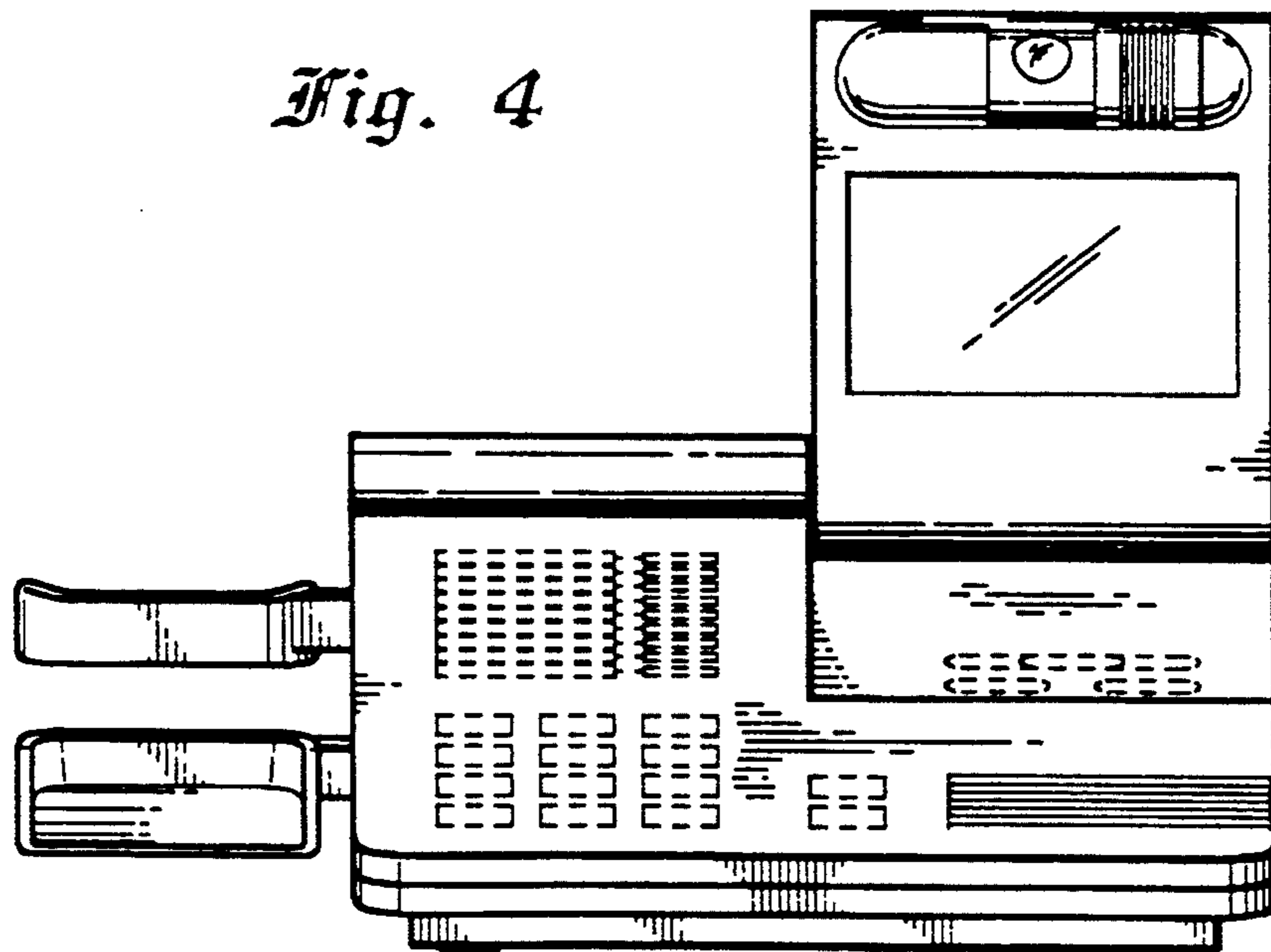
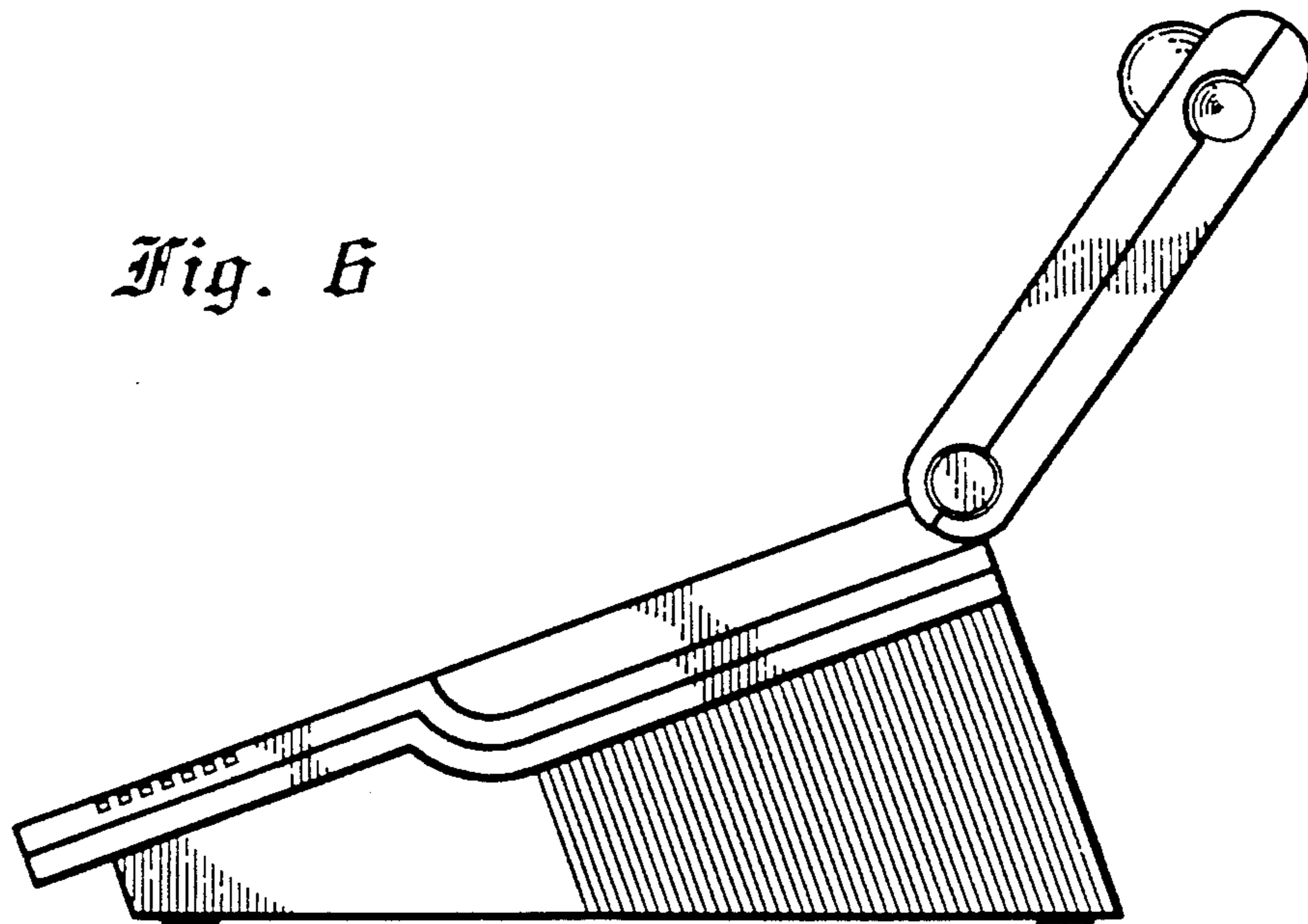
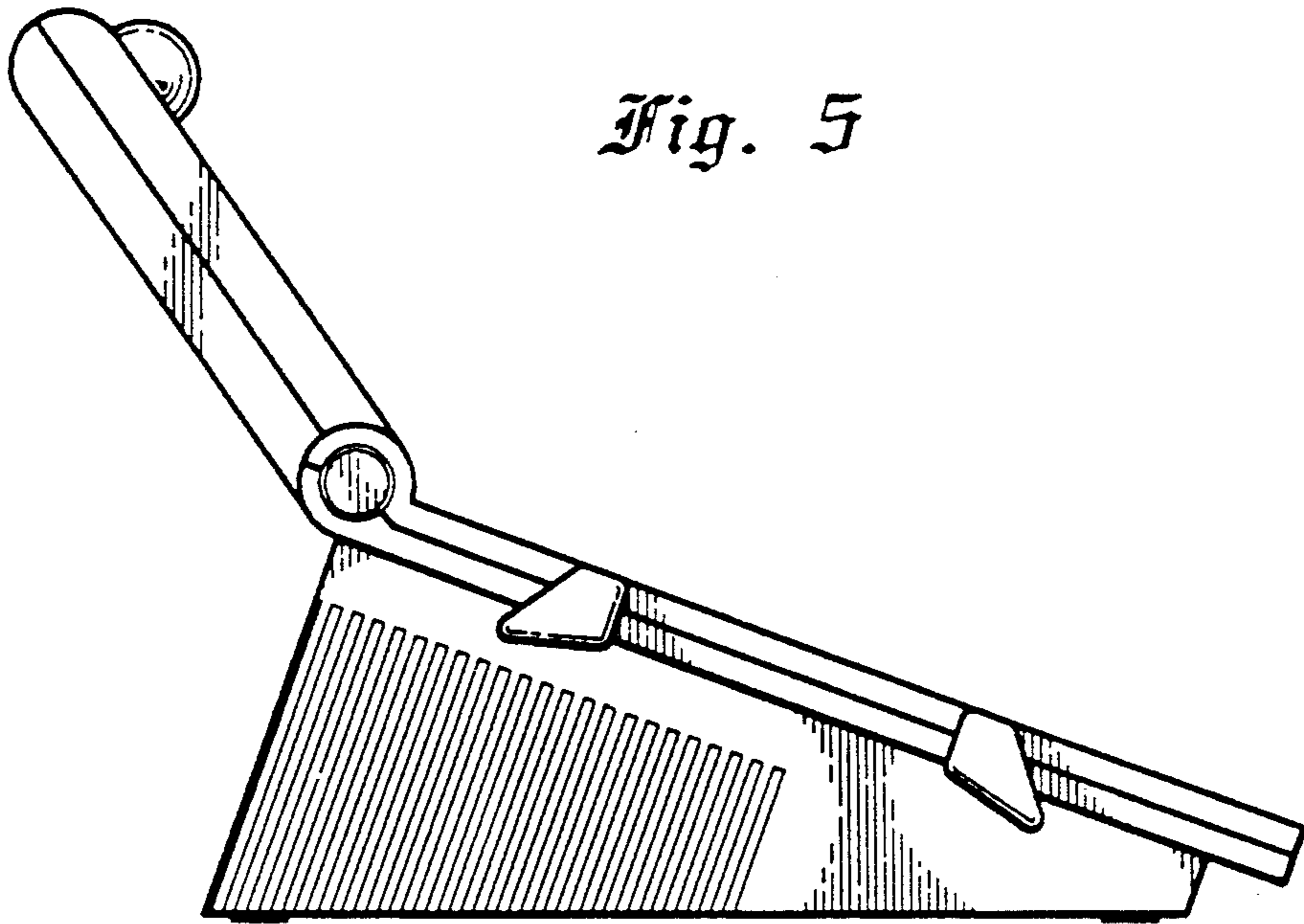


Fig. 4





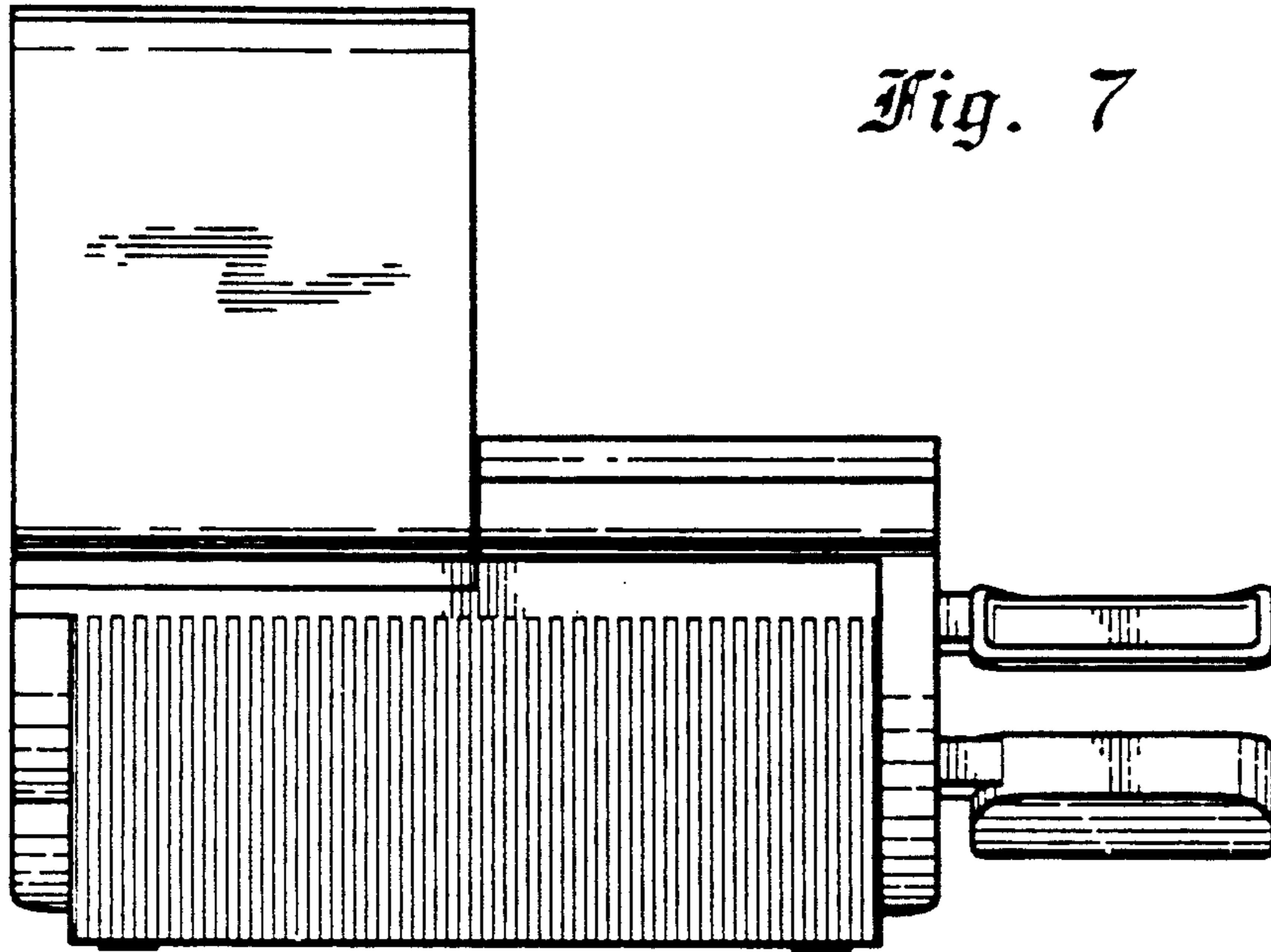


Fig. 7

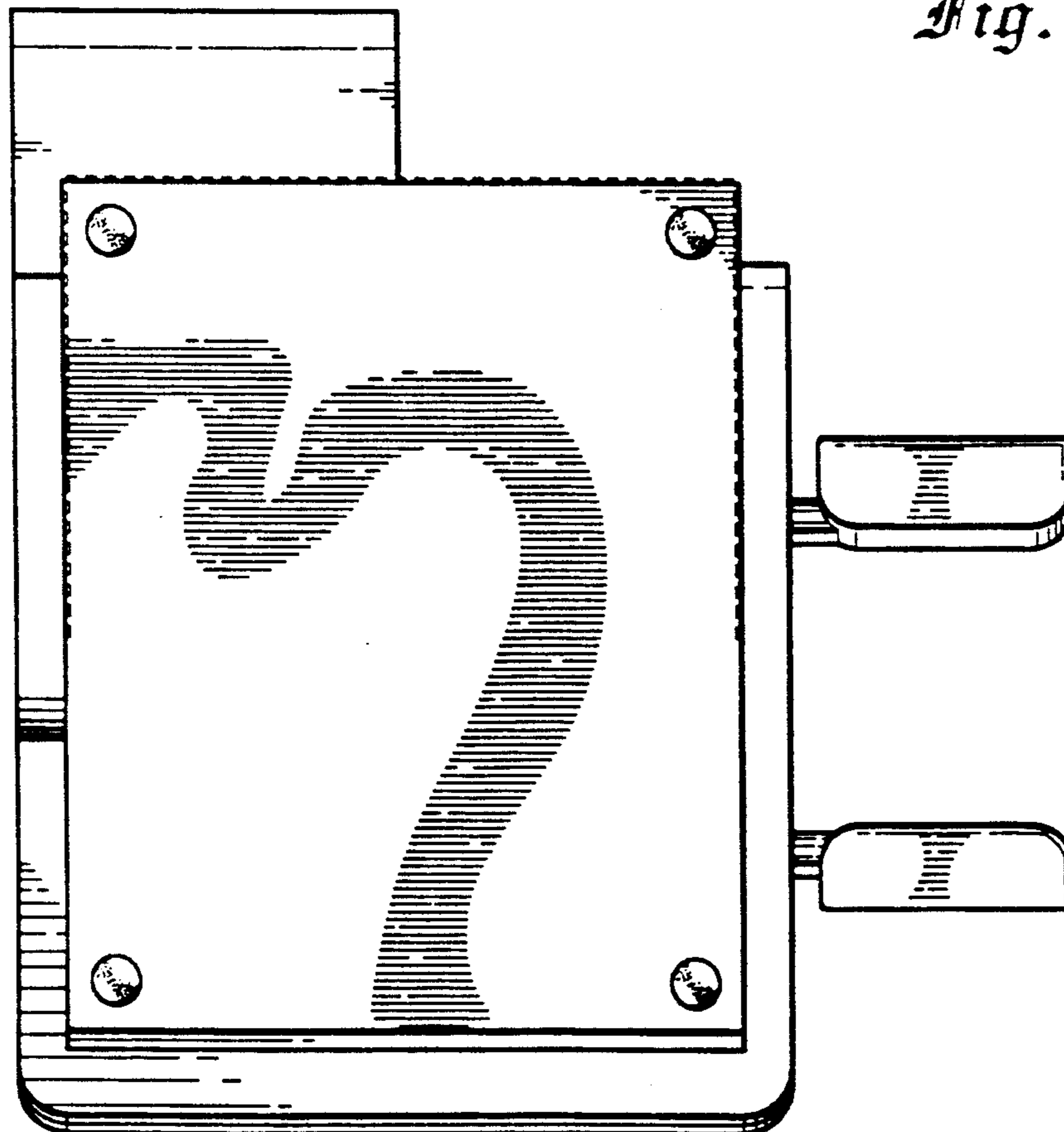


Fig. 8