



US00D345967S

United States Patent [19]

[11] Patent Number: **Des. 345,967**

Kroner

[45] Date of Patent: **** Apr. 12, 1994**

[54] **PERSONAL COMPUTER**

[76] Inventor: **Andreas Kroner,**
Eduard-Mörrike-Strasse 45, W-7311
Ochsenwang, Fed. Rep. of Germany

[**] Term: **14 Years**

[21] Appl. No.: **746,513**

[22] Filed: **Aug. 16, 1991**

[30] **Foreign Application Priority Data**

Feb. 20, 1991 [DE] Fed. Rep. of
Germany M9101229.5

[52] U.S. Cl. **D14/106; D17/2**

[58] Field of Search 235/145 A, 145 R;
340/700, 706; 364/708; 361/390-395; D6/495;
D14/100, 101, 106, 113, 115; D18/1, 7, 11, 12;
D17/1, 2, 7, 8

[56] **References Cited**

U.S. PATENT DOCUMENTS

- D. 152,089 12/1948 Kapphan D17/8
- D. 276,232 11/1984 Dix et al. D14/106
- D. 310,232 8/1990 Dong D17/8
- D. 328,456 8/1992 Monroe D14/106
- D. 334,558 4/1993 Iino D14/106

Primary Examiner—Wallace R. Burke
Assistant Examiner—Freda S. Nunn
Attorney, Agent, or Firm—Hopgood, Calimafde, Kalil,
Blaustein & Judlowe

[57] **CLAIM**

The ornamental design for a personal computer, as shown and described.

DESCRIPTION

FIG. 1 is a reduced top front and side perspective view of a personal computer showing my new design in the closed condition;

FIG. 2 is a top plan view;

FIG. 3 is a view in front elevation;

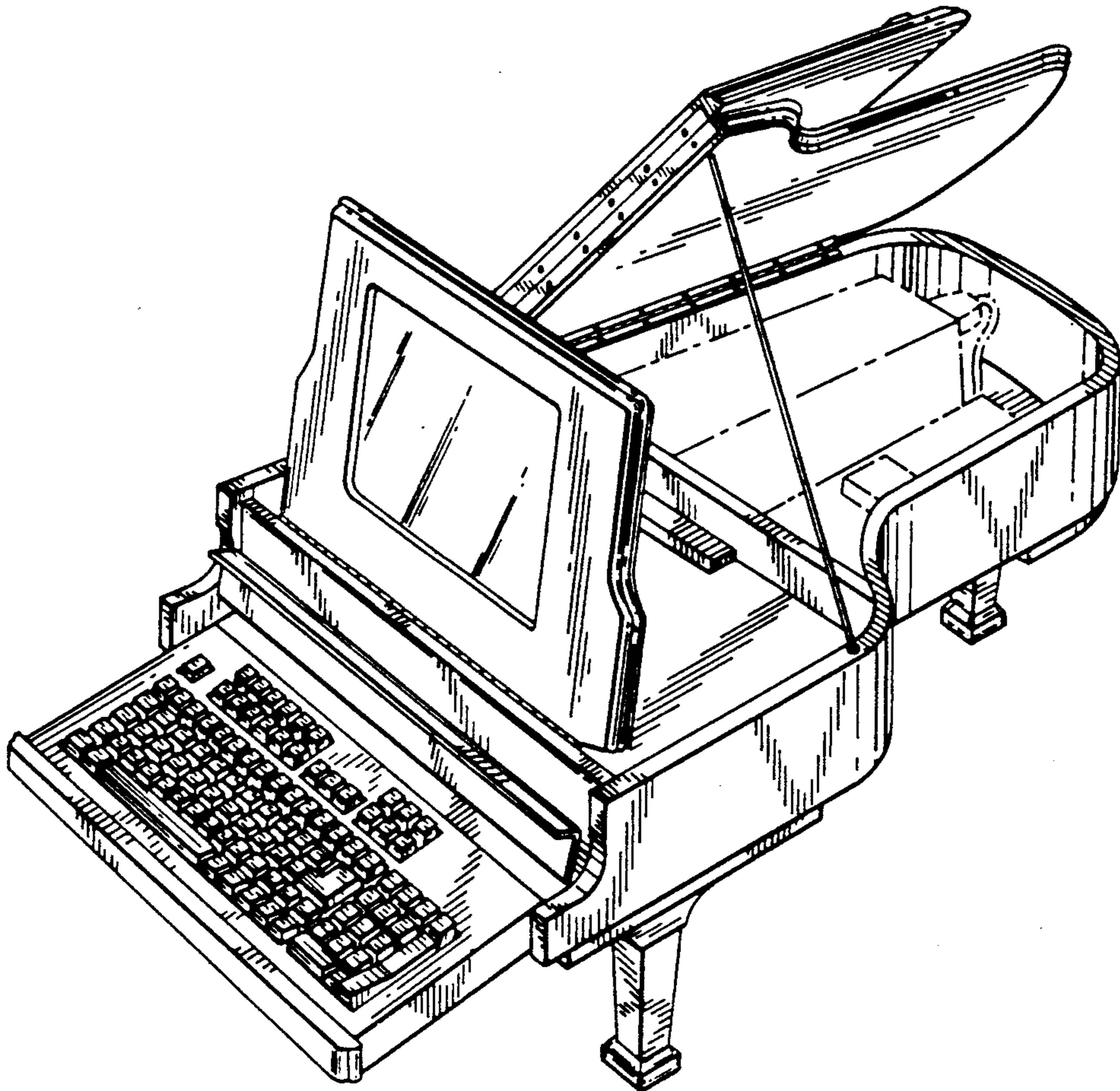
FIG. 4 is a view in rear elevation;

FIG. 5 is a side view in elevation, for the side which is partly seen in FIG. 1;

FIG. 6 is a side view in elevation, for the side opposite the side seen in FIG. 5;

FIG. 7 is a bottom plan view; and,

FIG. 8 is a reduced top front and side perspective view similar to FIG. 1 and showing the computer in the open condition with broken lines being shown for illustrative purposes only and forming no part of the claimed design.



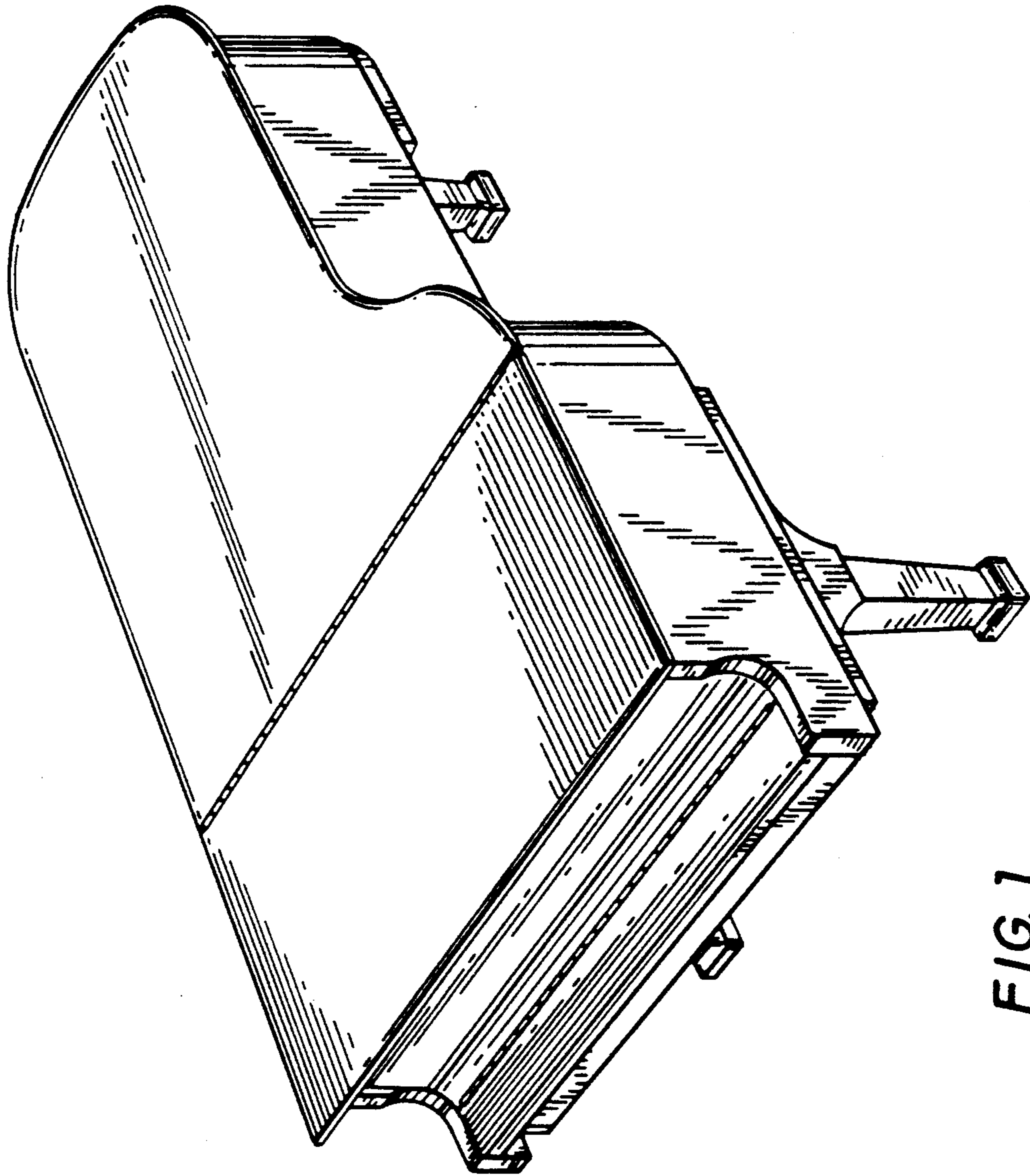


FIG. 1

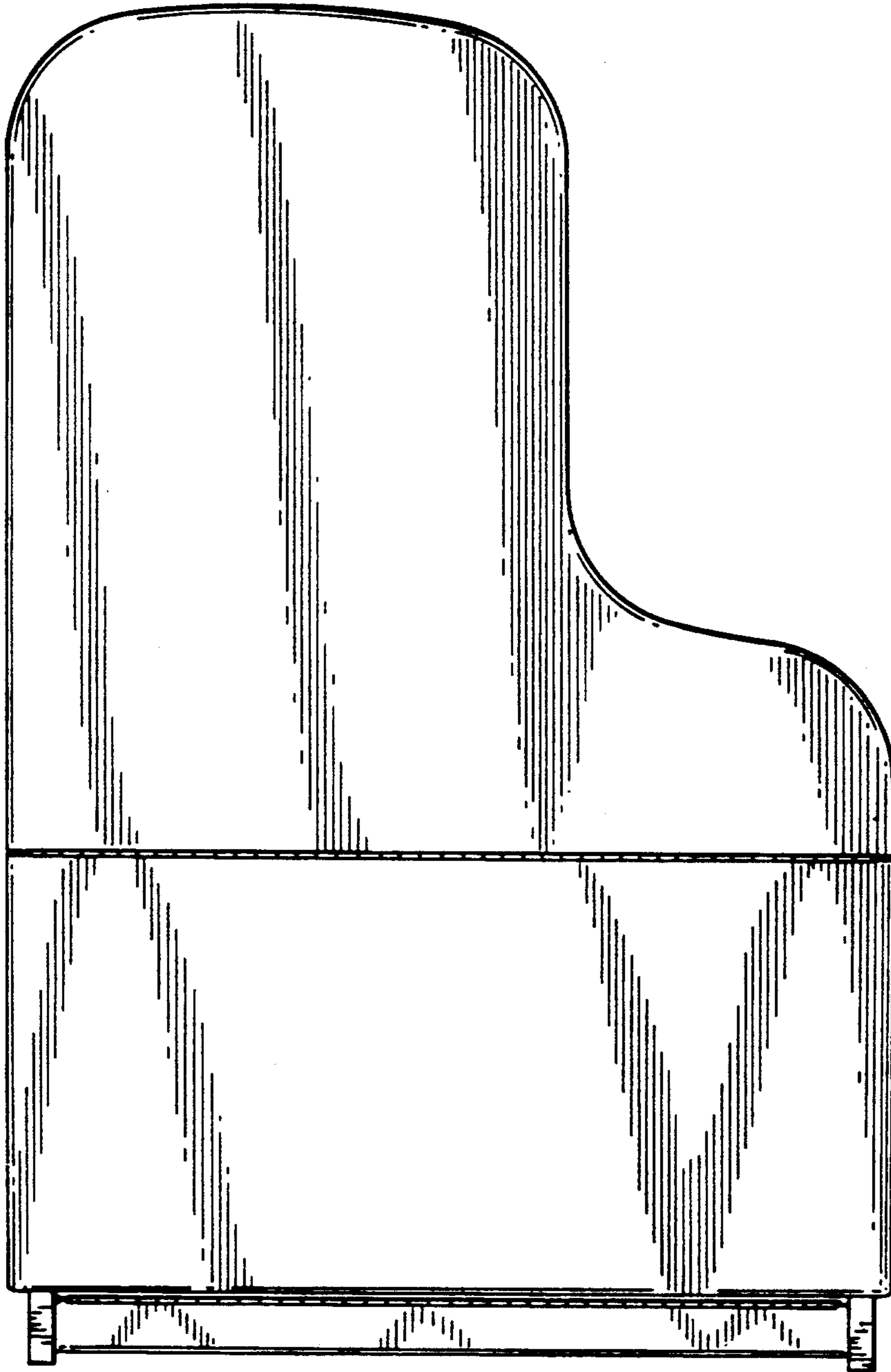


FIG. 2

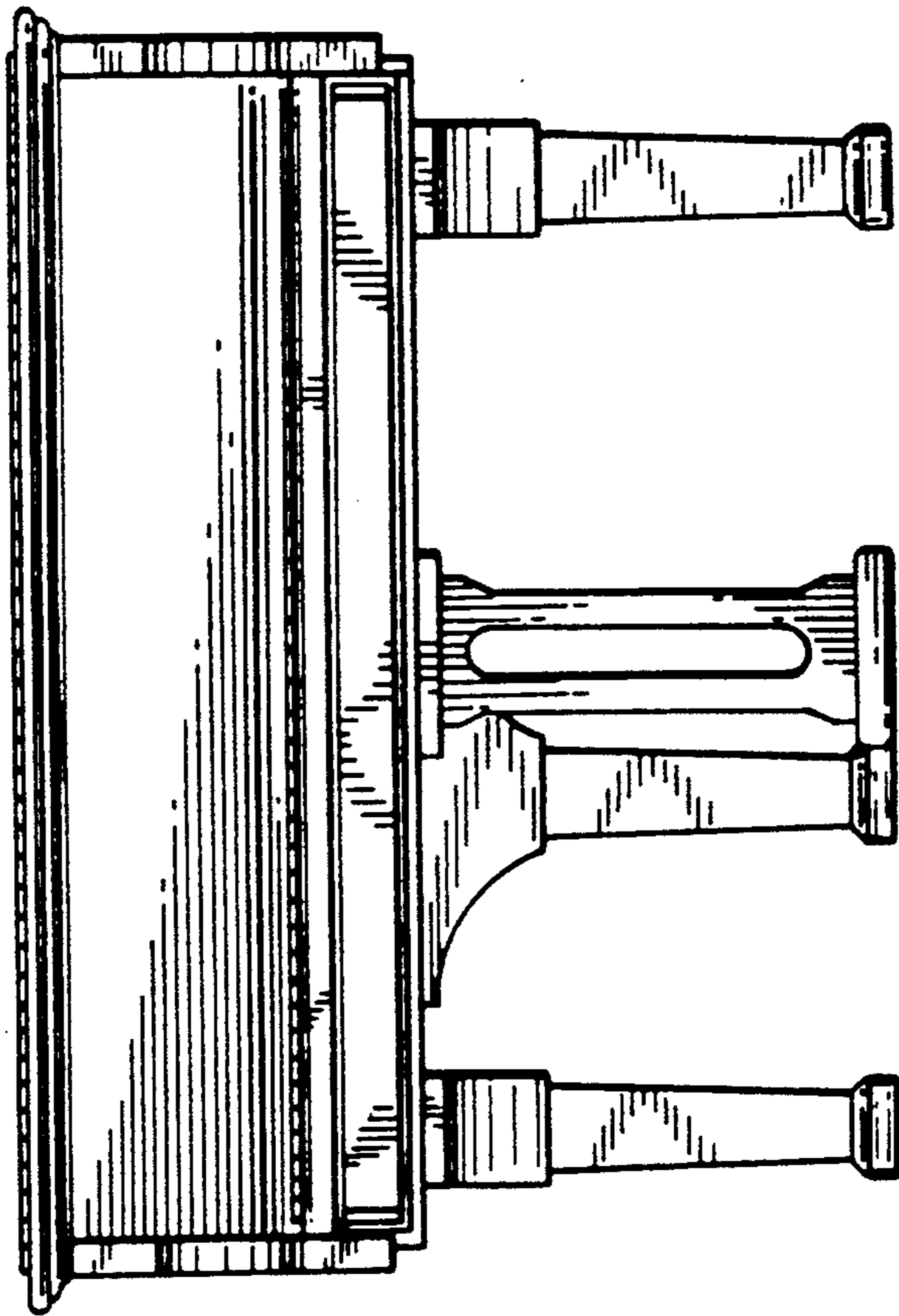


FIG. 3

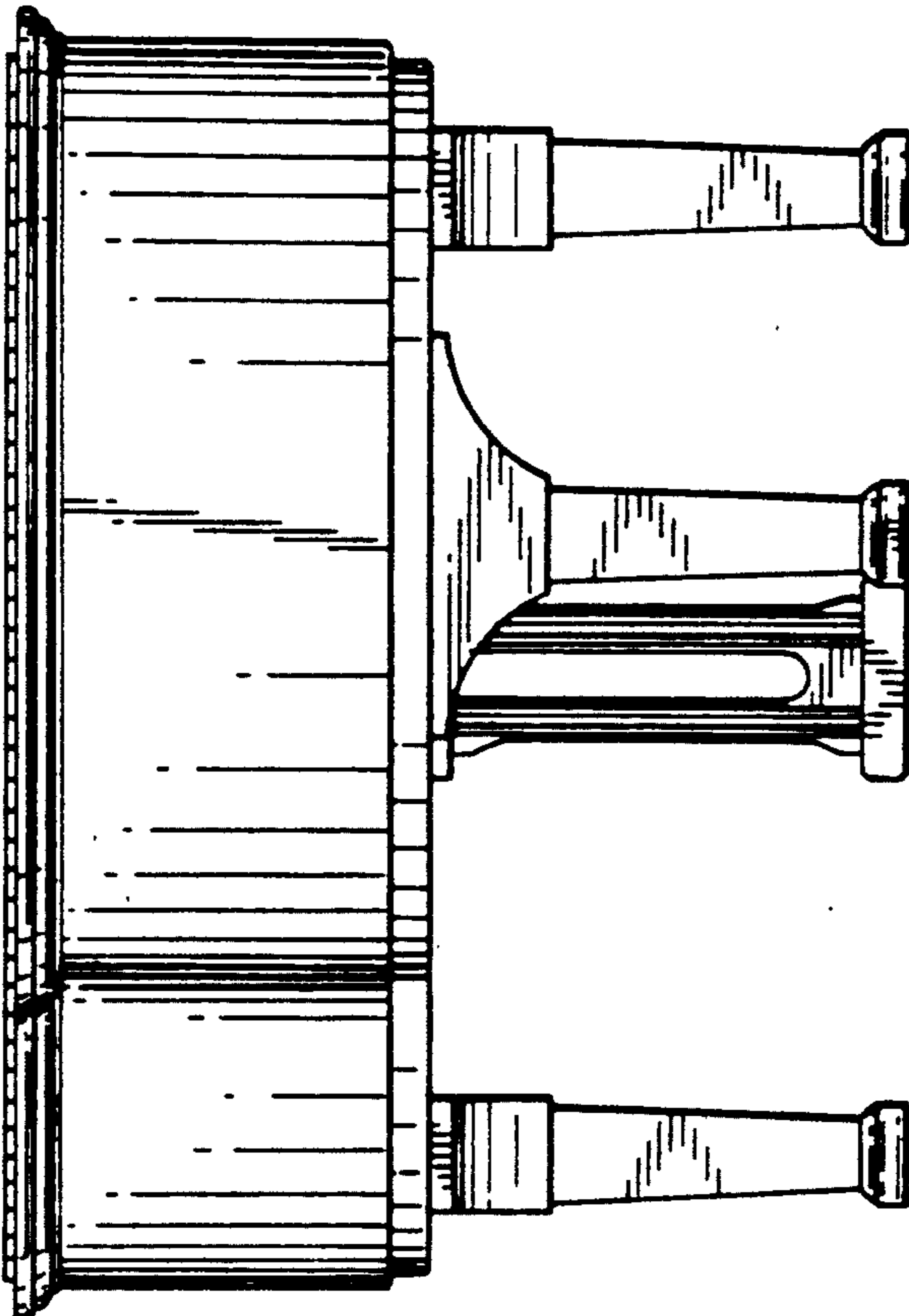


FIG. 4

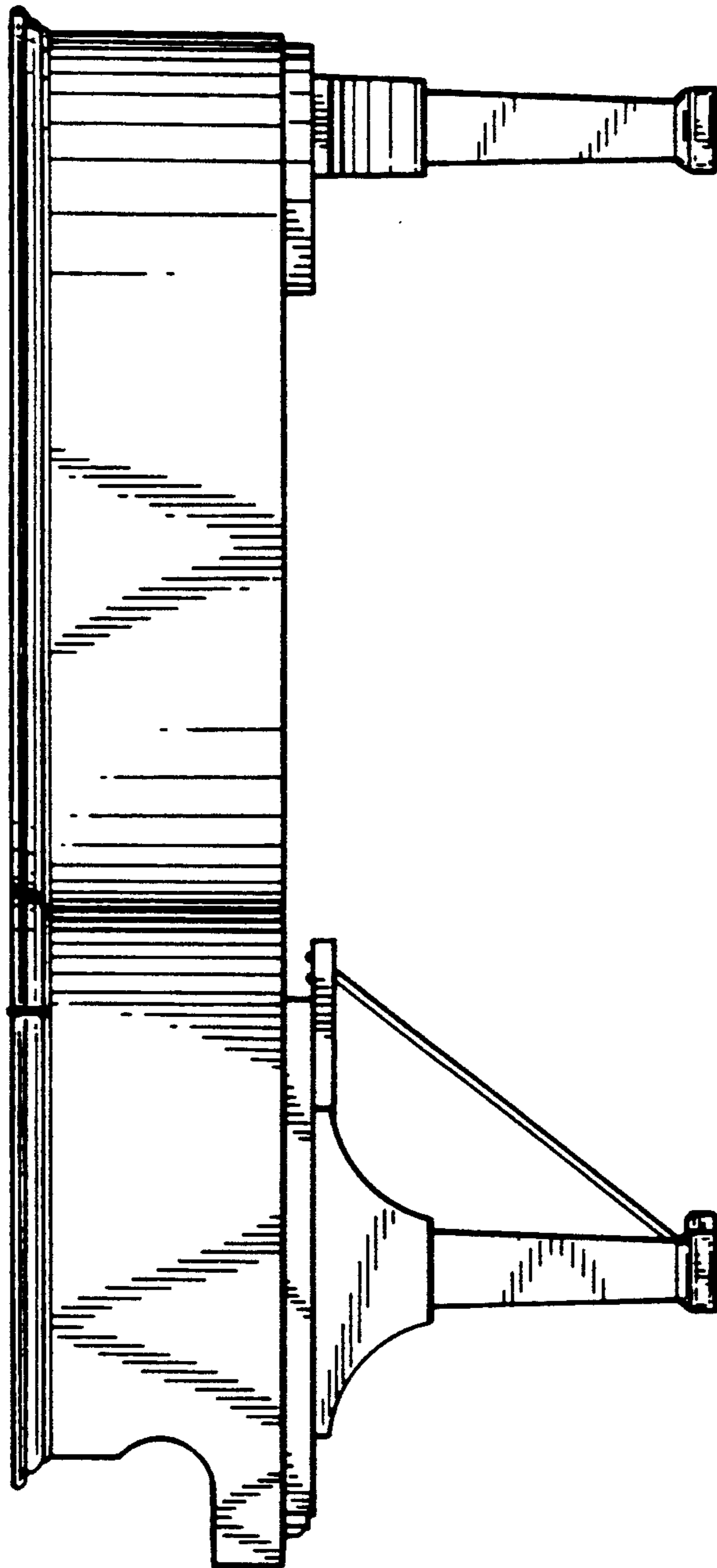


FIG. 5

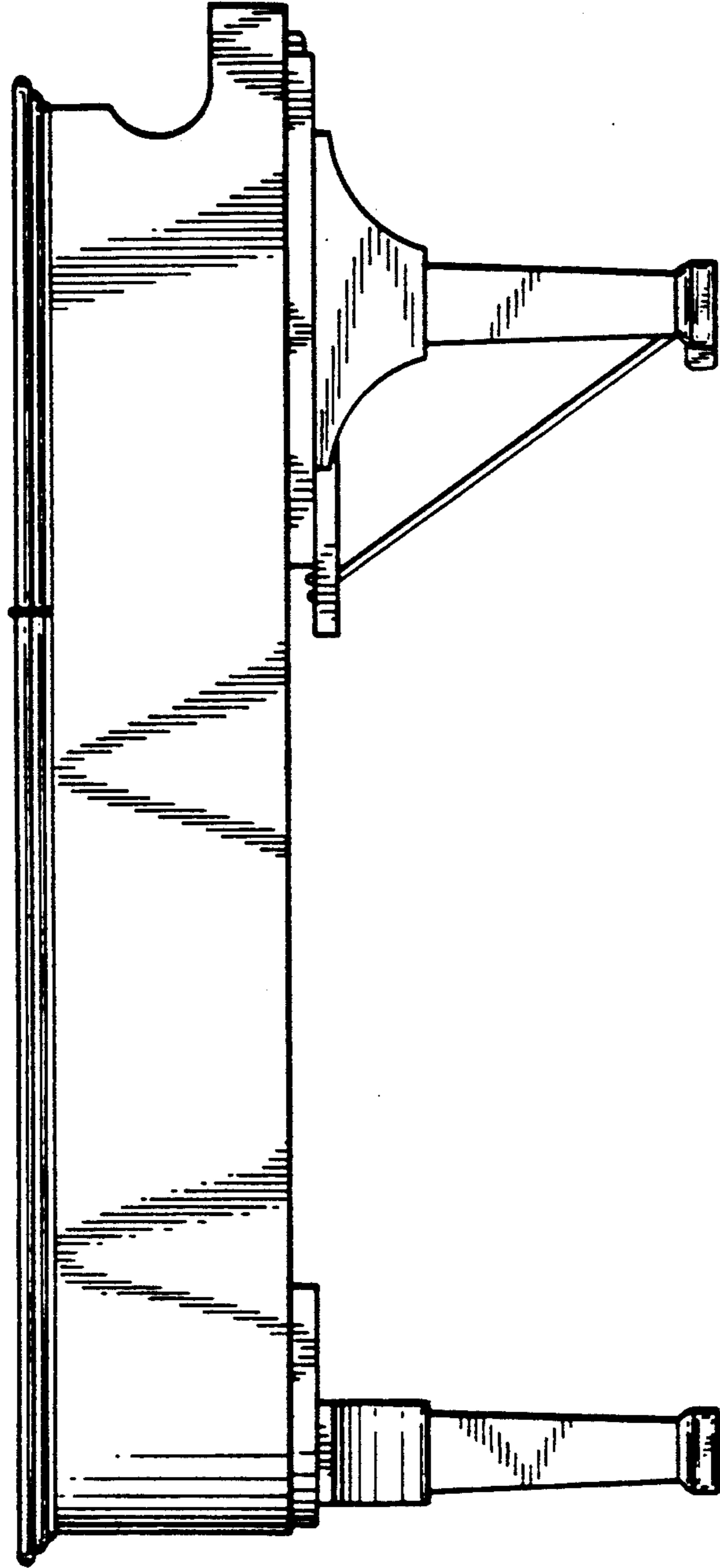


FIG. 6

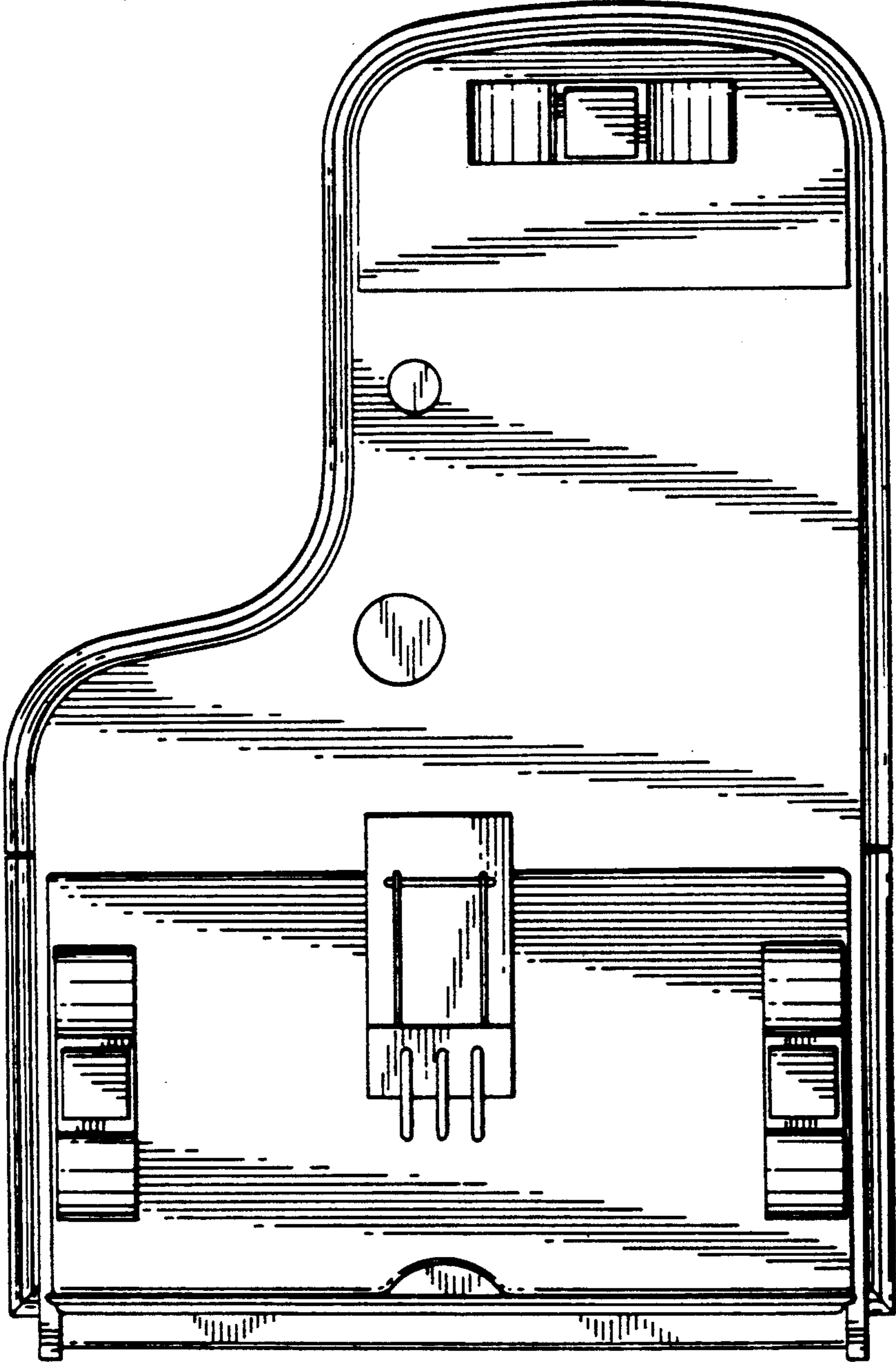


FIG. 7

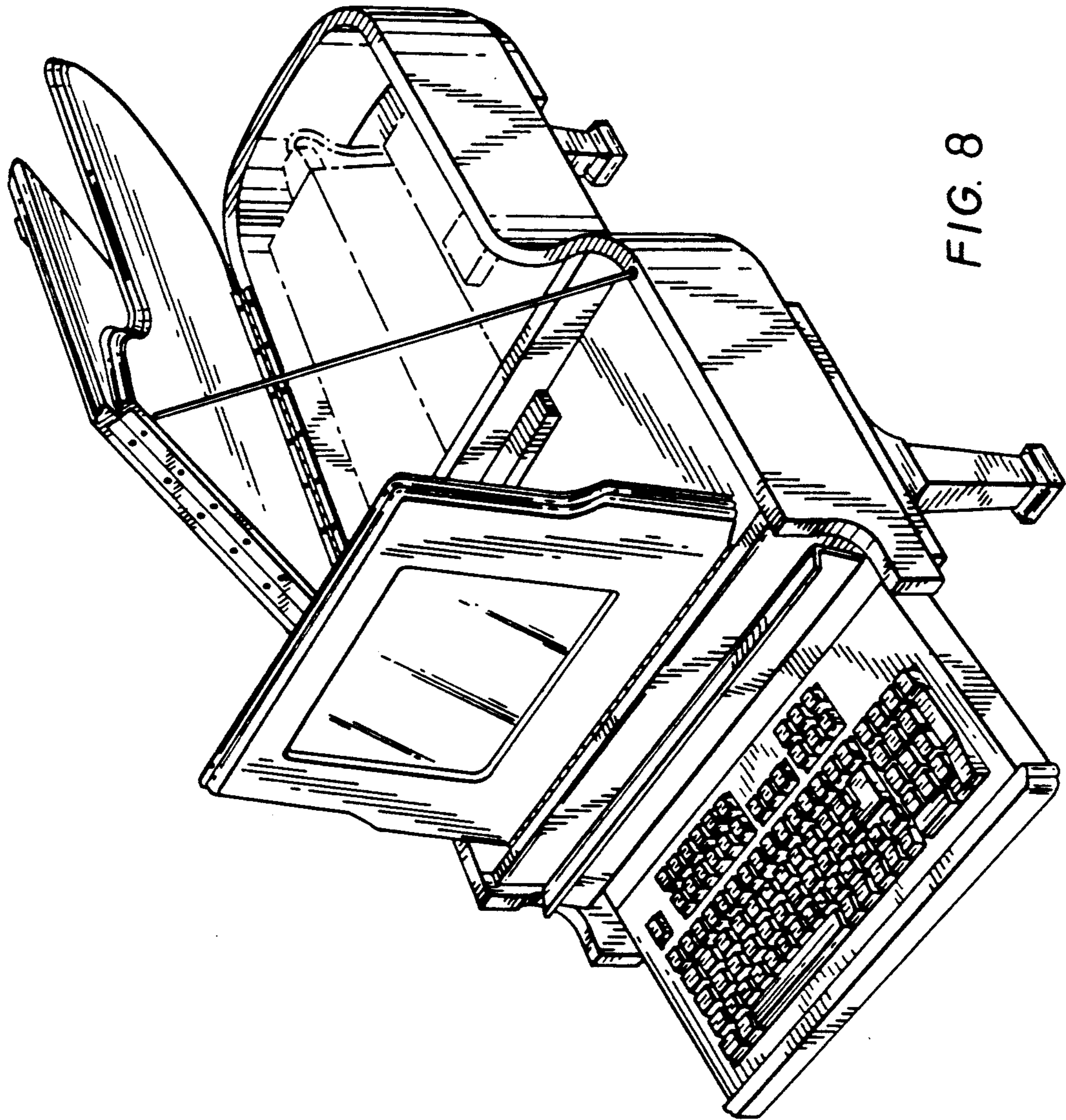


FIG. 8