



US00D345954S

# United States Patent [19]

[11] Patent Number: **Des. 345,954**

Wallace et al.

[45] Date of Patent: **\*\* Apr. 12, 1994**

[54] TRAILER COUPLER HOUSING

5,080,386 1/1992 Lazar ..... 280/511

[75] Inventors: **Jeffrey D. Wallace**, Des Moines;  
**Herbert O. Dixon, Jr.**, West Des Moines, both of Iowa

*Primary Examiner*—Wallace R. Burke  
*Assistant Examiner*—M. Brown  
*Attorney, Agent, or Firm*—Brian J. Laurenzo; Kent A. Herink; Brett J. Trout

[73] Assignee: **Dico, Inc.**, Des Moines, Iowa

[57] **CLAIM**

[\*\*] Term: **14 Years**

The ornamental design for a trailer coupler housing, as shown and described.

[21] Appl. No.: **801,842**

**DESCRIPTION**

[22] Filed: **Dec. 3, 1991**

[52] U.S. Cl. .... **D12/162**

[58] Field of Search ..... 280/511, 513, 512;  
D12/162

FIG. 1 is a front top perspective view of a trailer coupler housing showing our new design it being understood that the broken lines are for illustrative purposes only and form no part of the claimed design; FIG. 2 is a top plan view thereof; FIG. 3 is a left side elevational view thereof; FIG. 4 is a front elevational view thereof; FIG. 5 is a bottom plan view thereof; FIG. 6 is a right side elevational view thereof; and, FIG. 7 is a rear elevational view thereof.

[56] **References Cited**

**U.S. PATENT DOCUMENTS**

D. 320,777 10/1991 Goettker ..... D12/162  
3,773,358 11/1973 Butler ..... 280/513  
4,993,739 2/1991 Putnam ..... 280/511

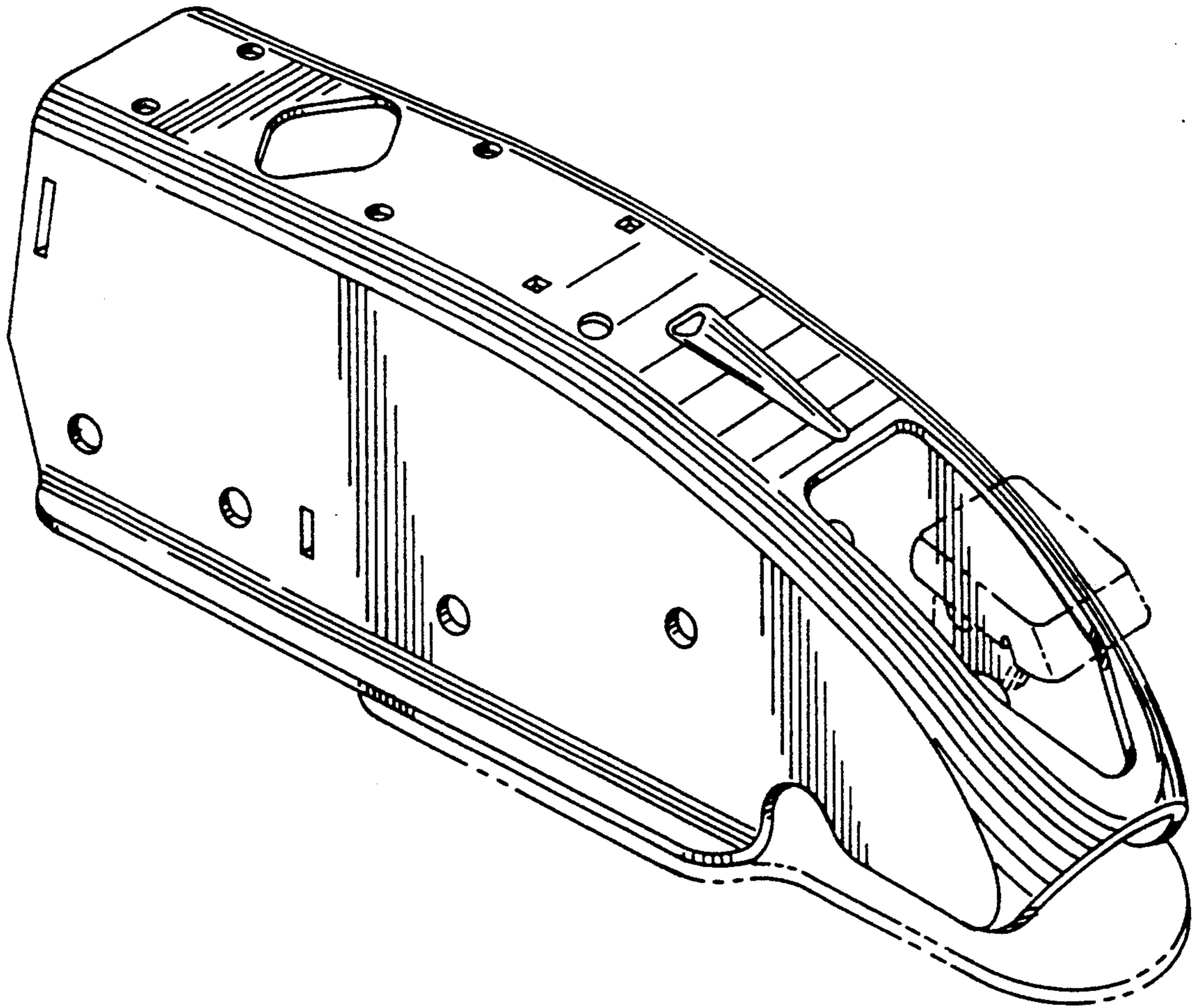


FIG. 1

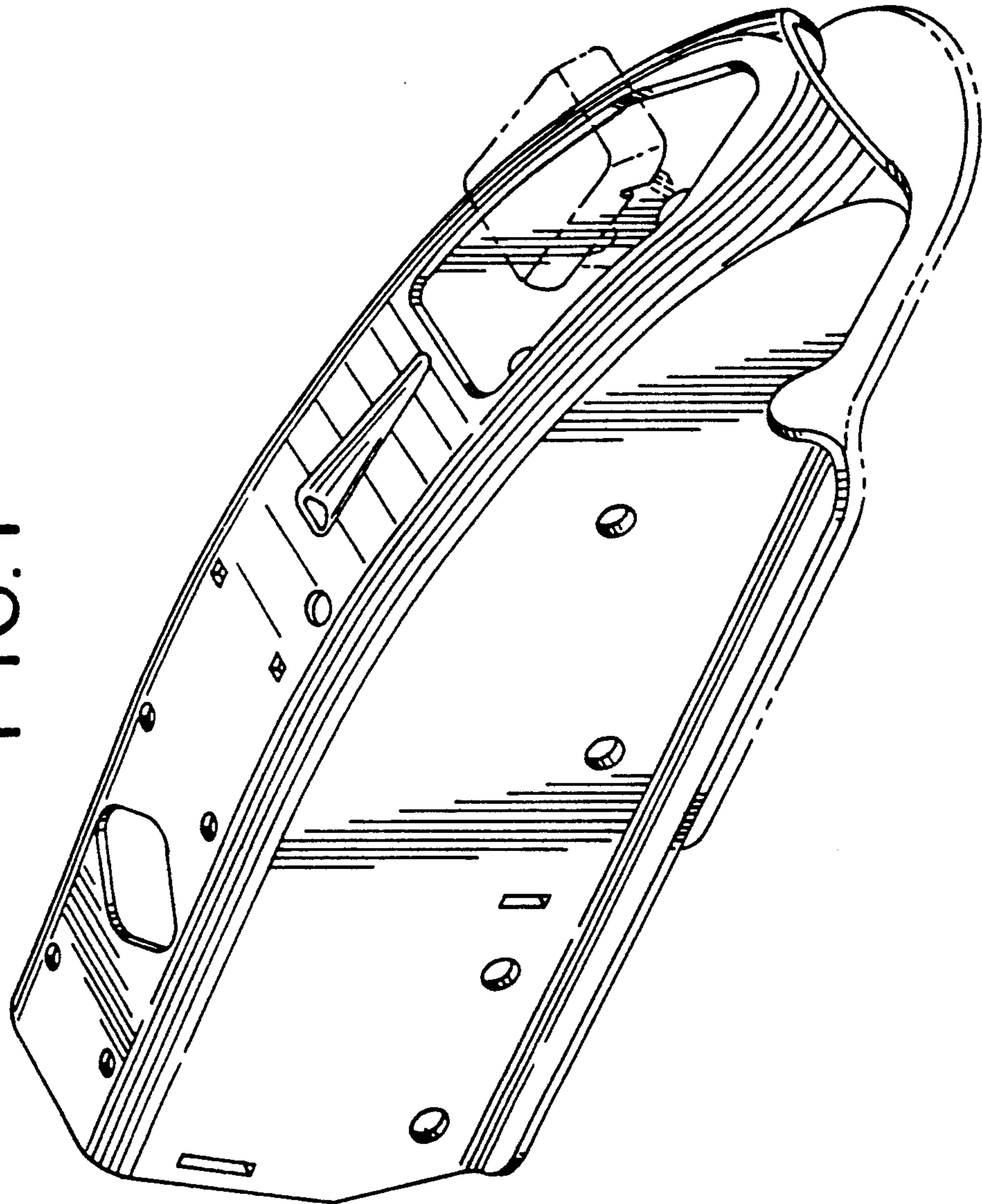


FIG. 2

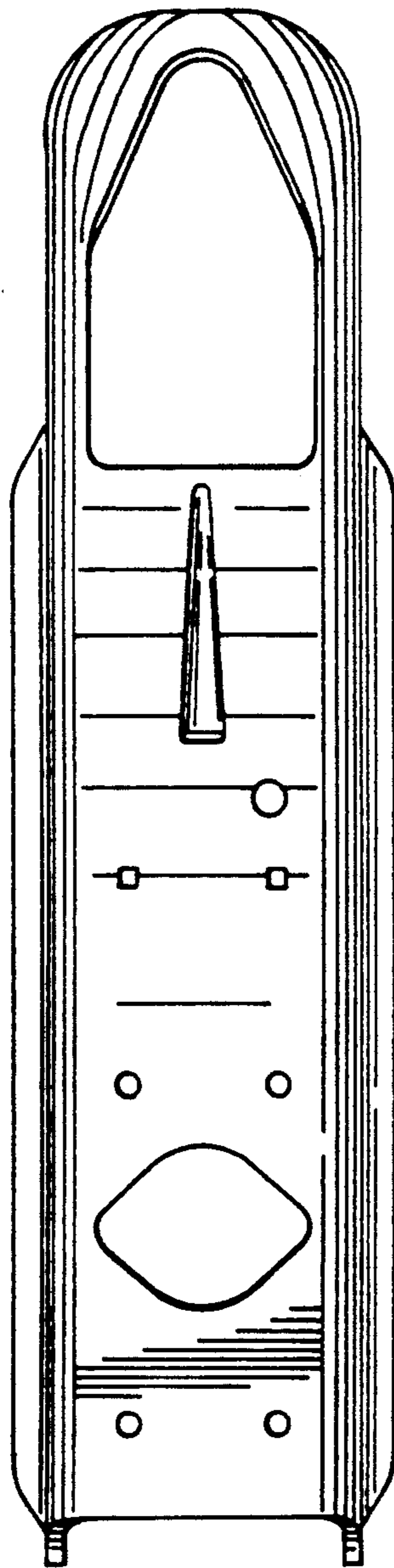


FIG. 3

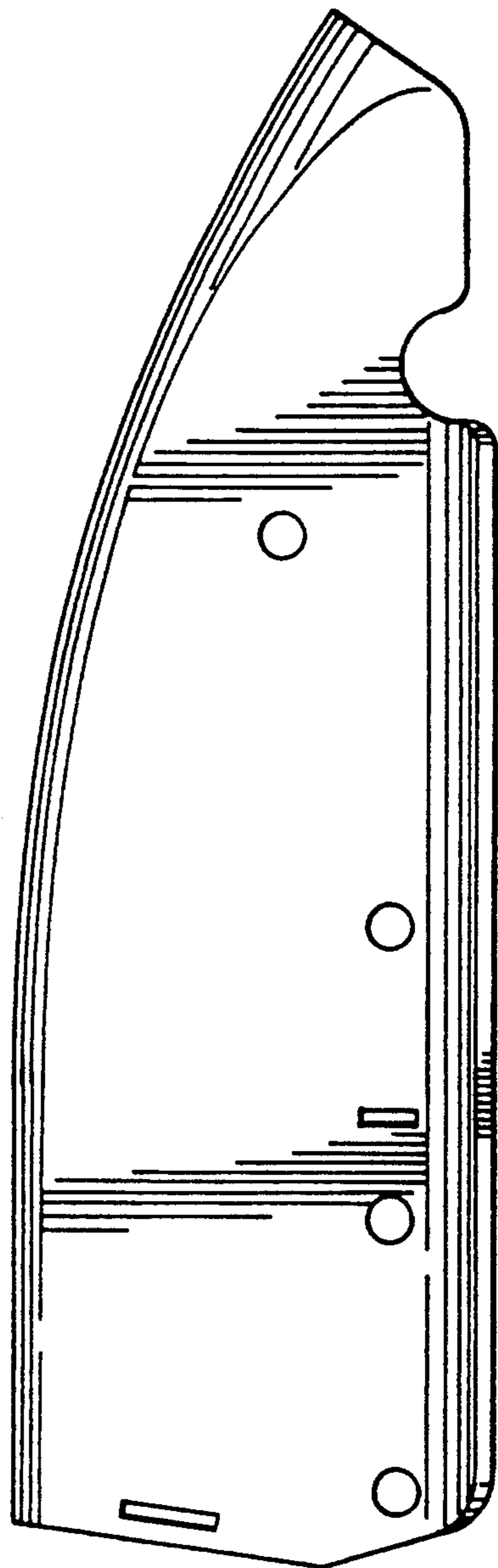


FIG. 4

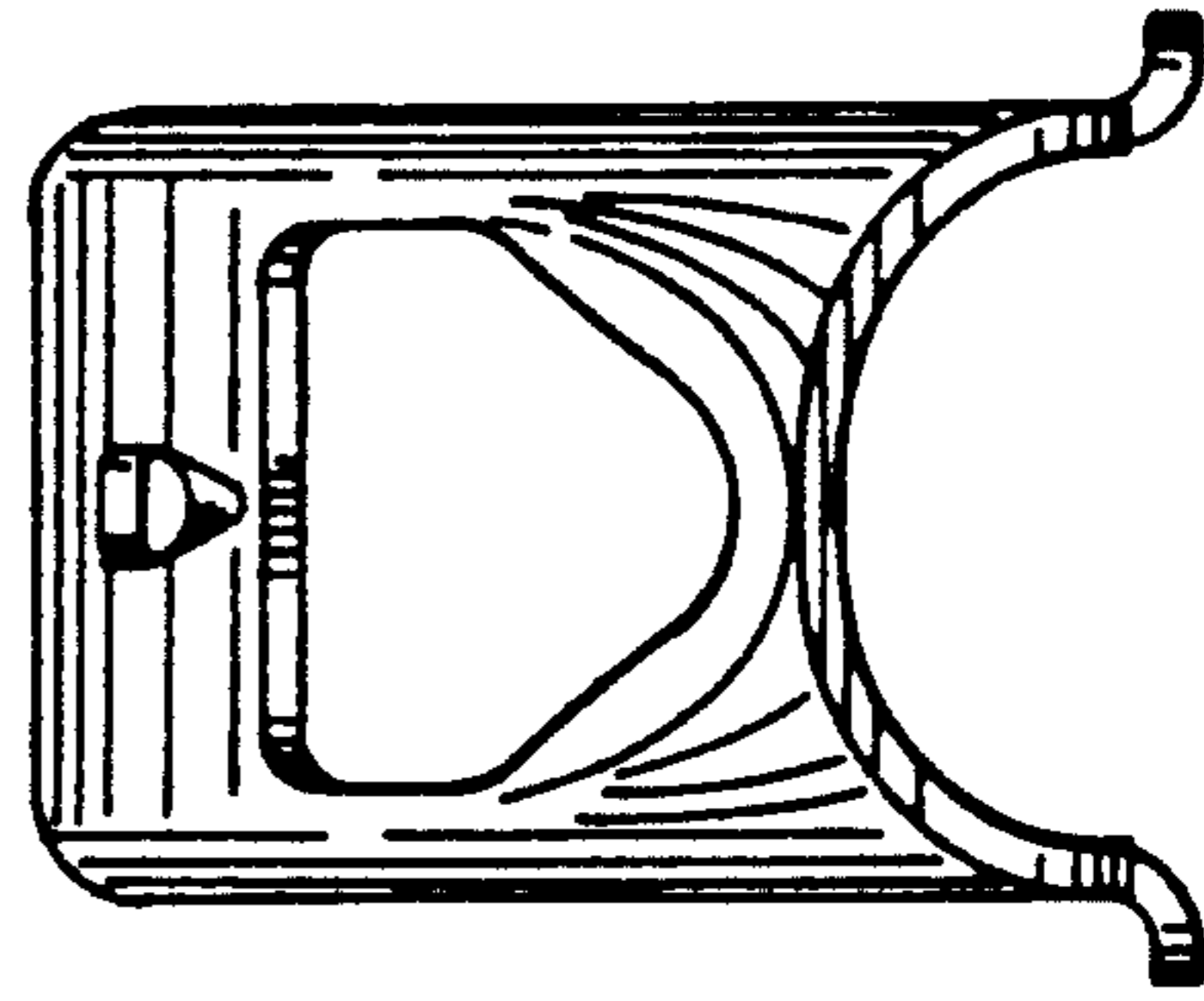




FIG. 5

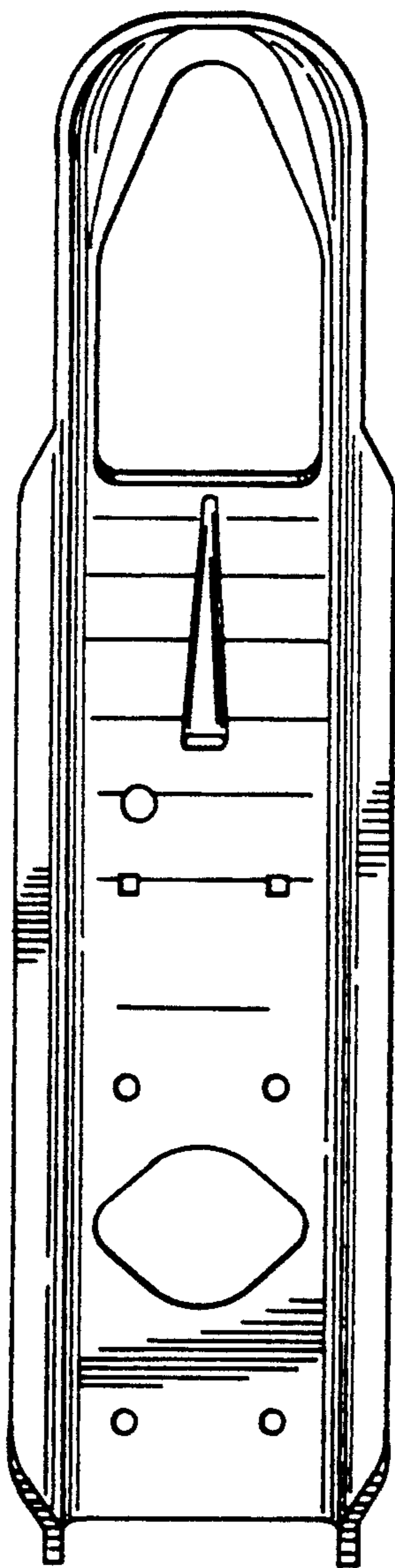


FIG. 6

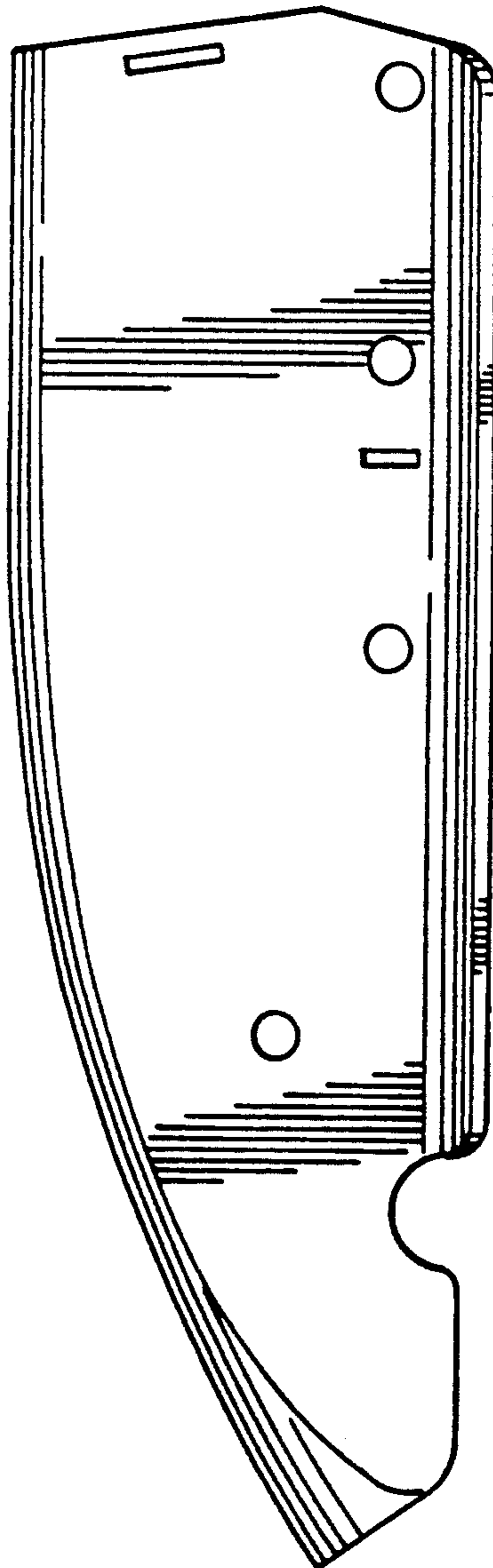


FIG. 7

