



US00D345952S

United States Patent [19]

[11] Patent Number: **Des. 345,952**

Christenbury

[45] Date of Patent: **** Apr. 12, 1994**

[54] TIRE

[75] Inventor: **Damon L. Christenbury**, Greenville, S.C.

[73] Assignee: **Michelin Recherche et Technique S.A.**, Switzerland

[**] Term: **14 Years**

[21] Appl. No.: **1,951**

[22] Filed: **Nov. 25, 1992**

[52] U.S. Cl. **D12/147**

[58] Field of Search **152/209 R, 209 D; D12/136, 137, 140, 141, 145-148**

[56] **References Cited**

PUBLICATIONS

1991 Tread Design Guide, p. 22, Cornell Futura XWT Tire, second row down from top, left side of page.

1991 Tread Design Guide, p. 46, Michelin XW4 Tire,

second row down from top & second tire in from left side of page.

1992 Tread Design Guide, p. 16, Armstrong Five Star Tire, second row down from top, center of page.

1992 Tread Design Guide, p. 76, Toyo 600 +4 Tire & 600 HT Tire, third row down from top, center & center right side of page respectively.

Primary Examiner—James M. Gandy
Attorney, Agent, or Firm—Robert R. Reed; Alan A. Csontas; Russell W. Warnock

[57] CLAIM

The ornamental design for a tire, as shown and described.

DESCRIPTION

FIG. 1 is a perspective view of a tire showing our new design, it being understood that the tread pattern is repeated throughout the circumference of the tire, as shown schematically by solid lines, the opposite side being substantially the same as that illustrated; and, FIG. 2 is an enlarged fragmentary plan view of the tread pattern thereof.

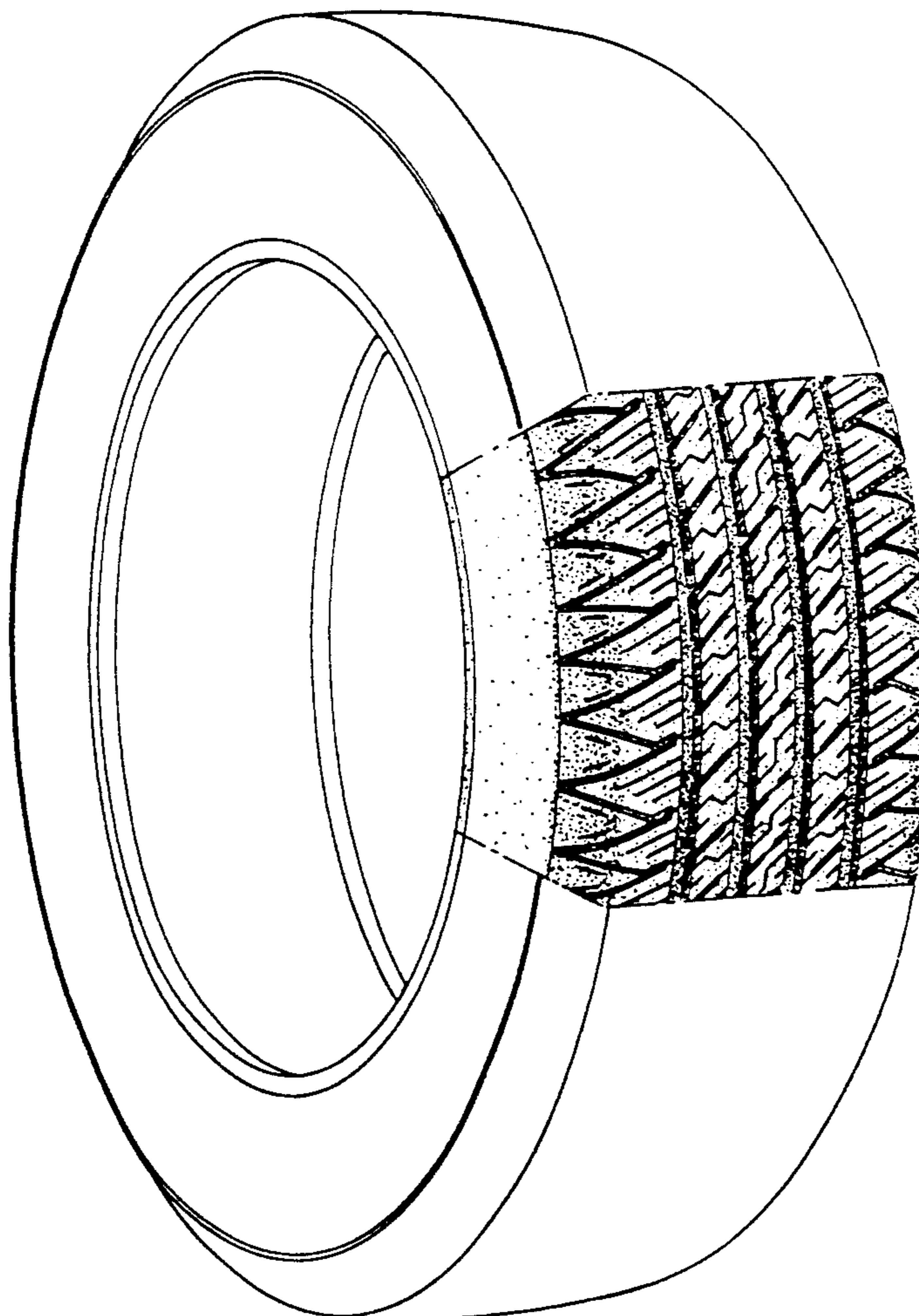


Fig. 1

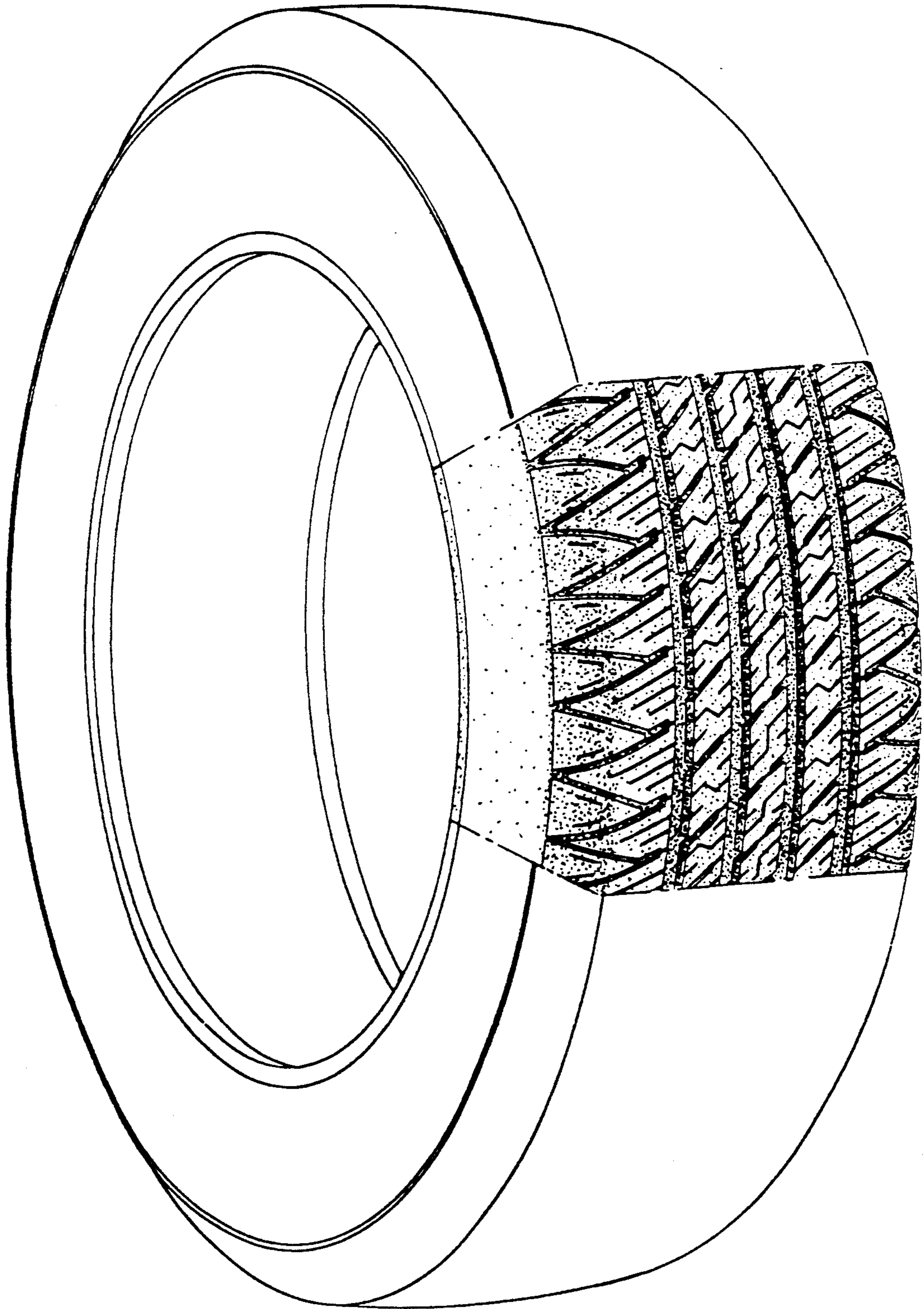


Fig. 2

