



US00D345944S

United States Patent [19]

[11] Patent Number: **Des. 345,944**

Starzak

[45] Date of Patent: **** Apr. 12, 1994**

[54] **TREE STAND**

D. 310,500 9/1990 Matousek D11/130.1

[76] Inventor: **Roman T. Starzak**, 2530 Berryessa Rd., Suite 819, San Jose, Calif. 95132

Primary Examiner—Bernard Ansher
Assistant Examiner—Dominic Simone
Attorney, Agent, or Firm—Douglas E. White

[**] Term: **14 Years**

[21] Appl. No.: **2,653**

[57] **CLAIM**

[22] Filed: **Dec. 15, 1992**

The ornamental design for a tree stand, as shown and described.

[52] U.S. Cl. **D11/130.1**

[58] Field of Search 47/40.5; 248/511, 519, 248/523; D11/130.1

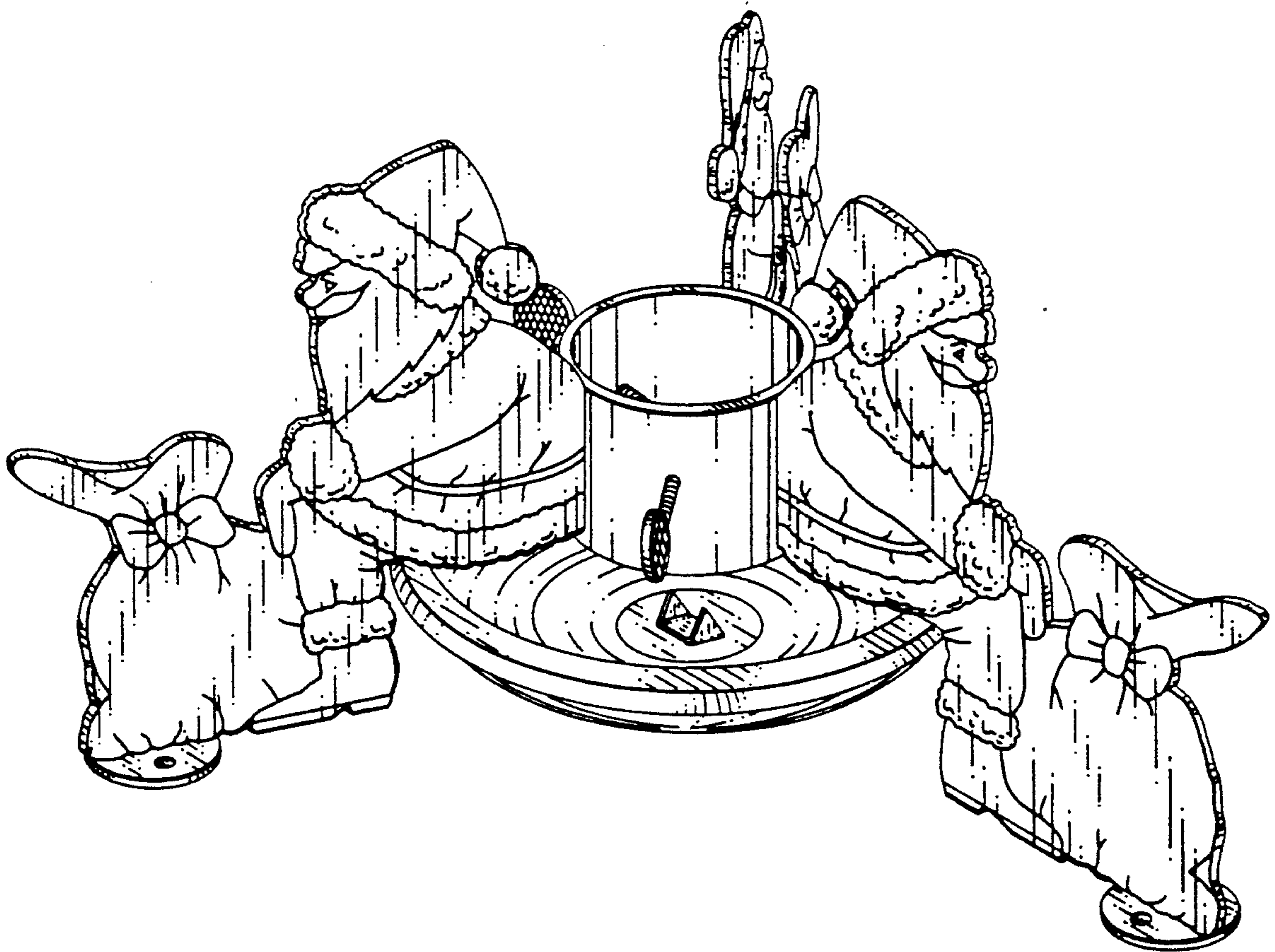
DESCRIPTION

[56] **References Cited**

U.S. PATENT DOCUMENTS

- D. 71,067 9/1926 Langreth D11/130.1
- D. 102,220 12/1936 Bird et al. D11/130.1
- D. 192,692 5/1962 Husen D11/130.1

FIG. 1 is a perspective view of the tree stand showing the new design;
 FIG. 2 is a frontal elevation view, views 60 degrees to the right rear thereof and 60 degrees to the left rear thereof being identical thereto;
 FIG. 3 is a top plan view view; and,
 FIG. 4 is a bottom plan view.



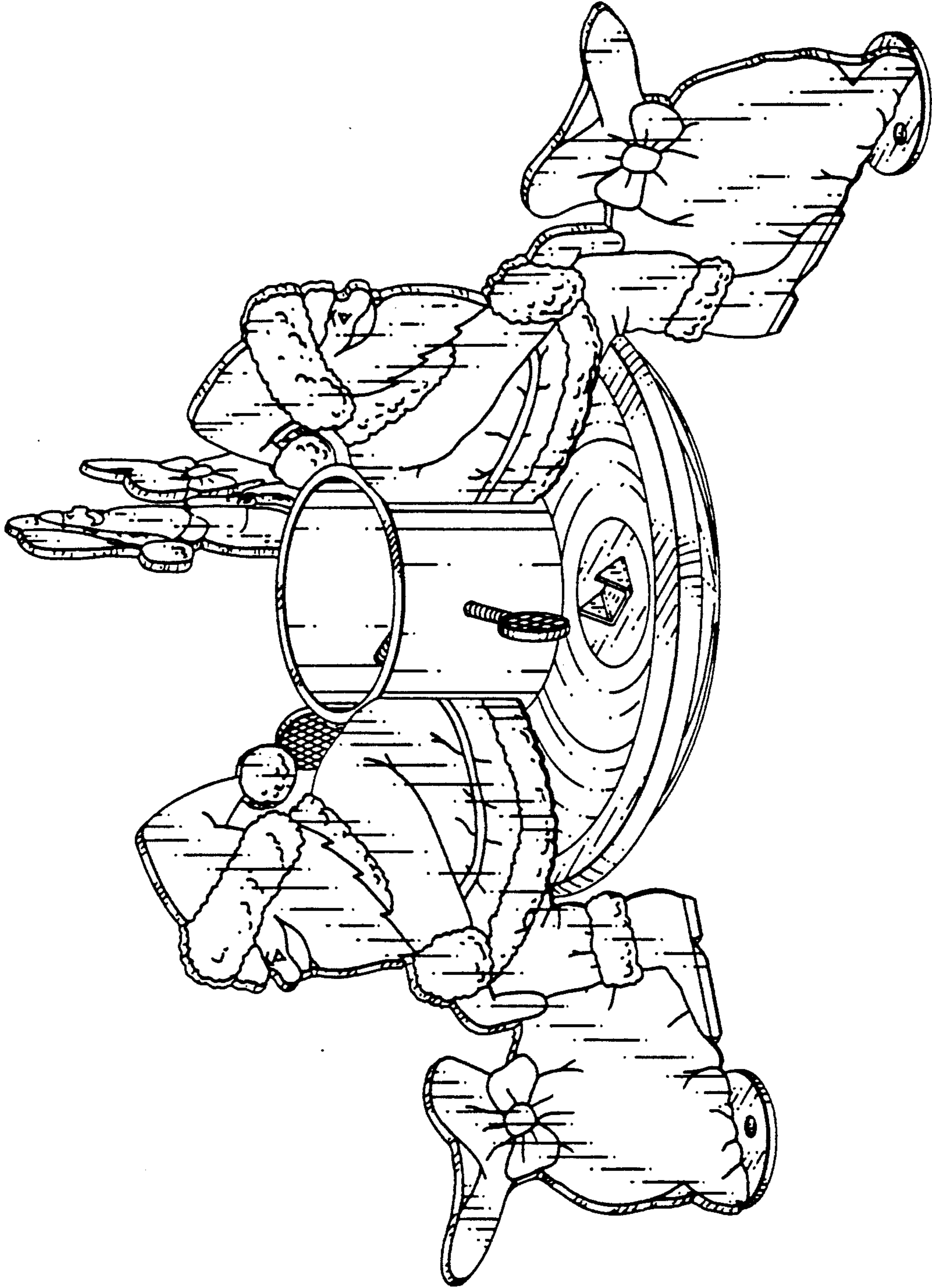
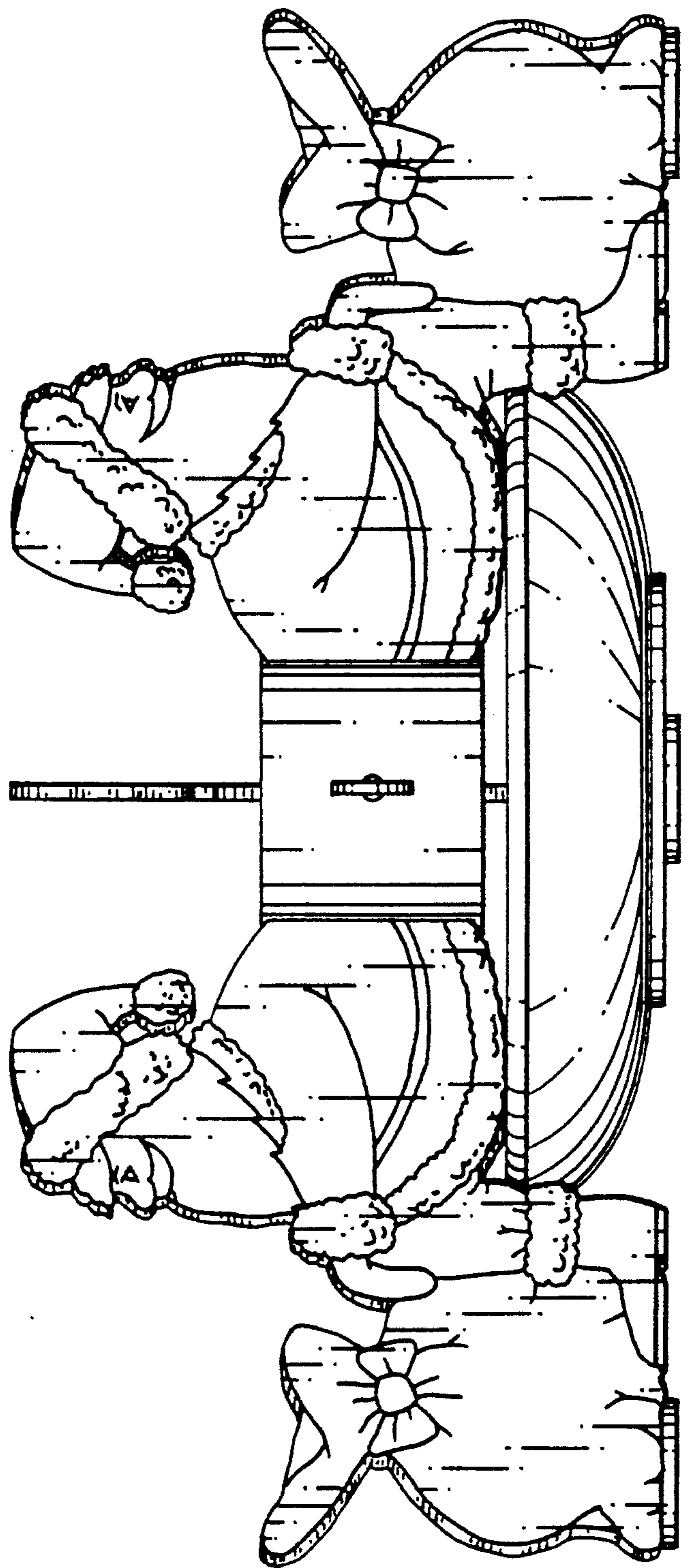


FIG. 1



FILE — **N**

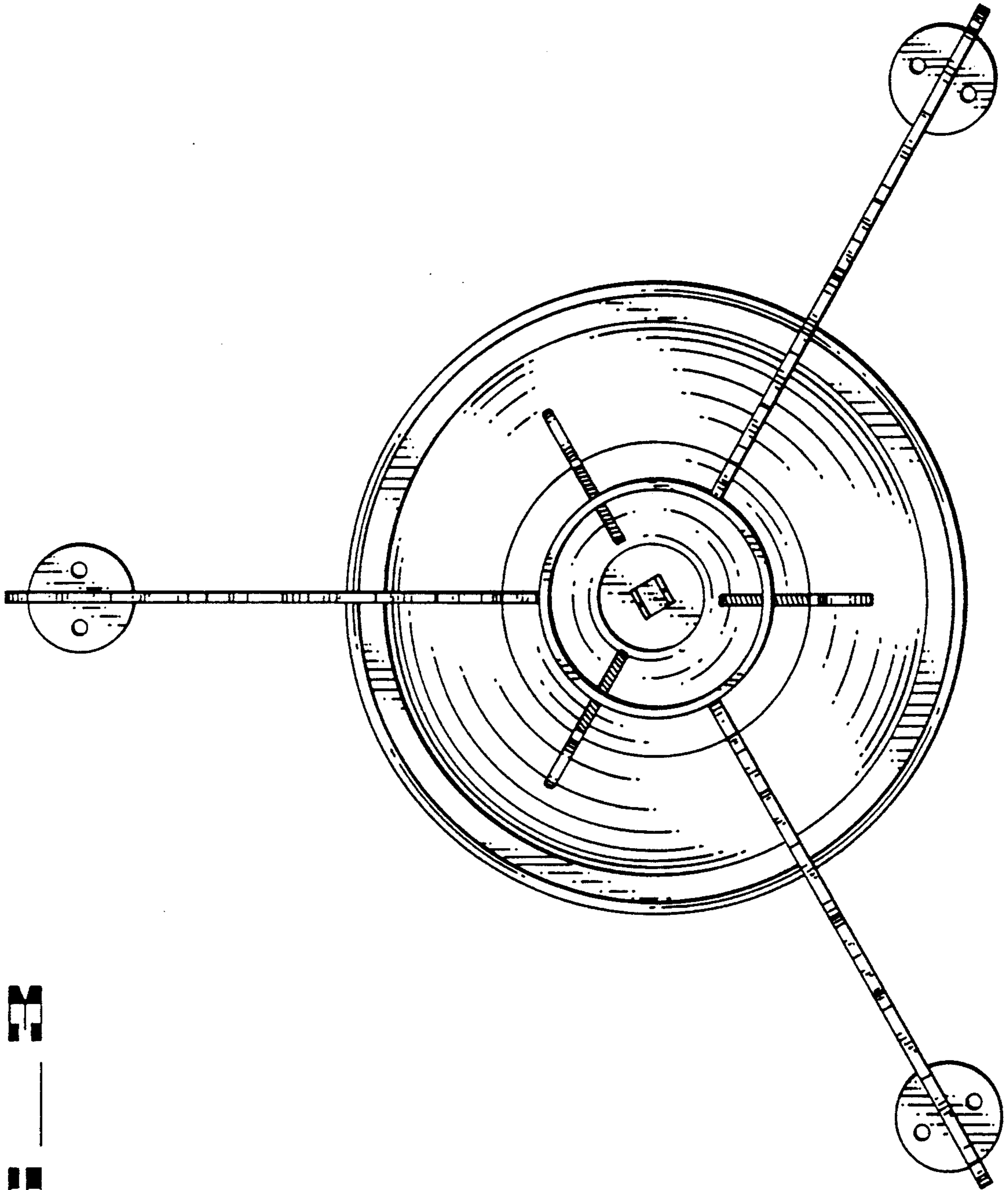


FIG. 3

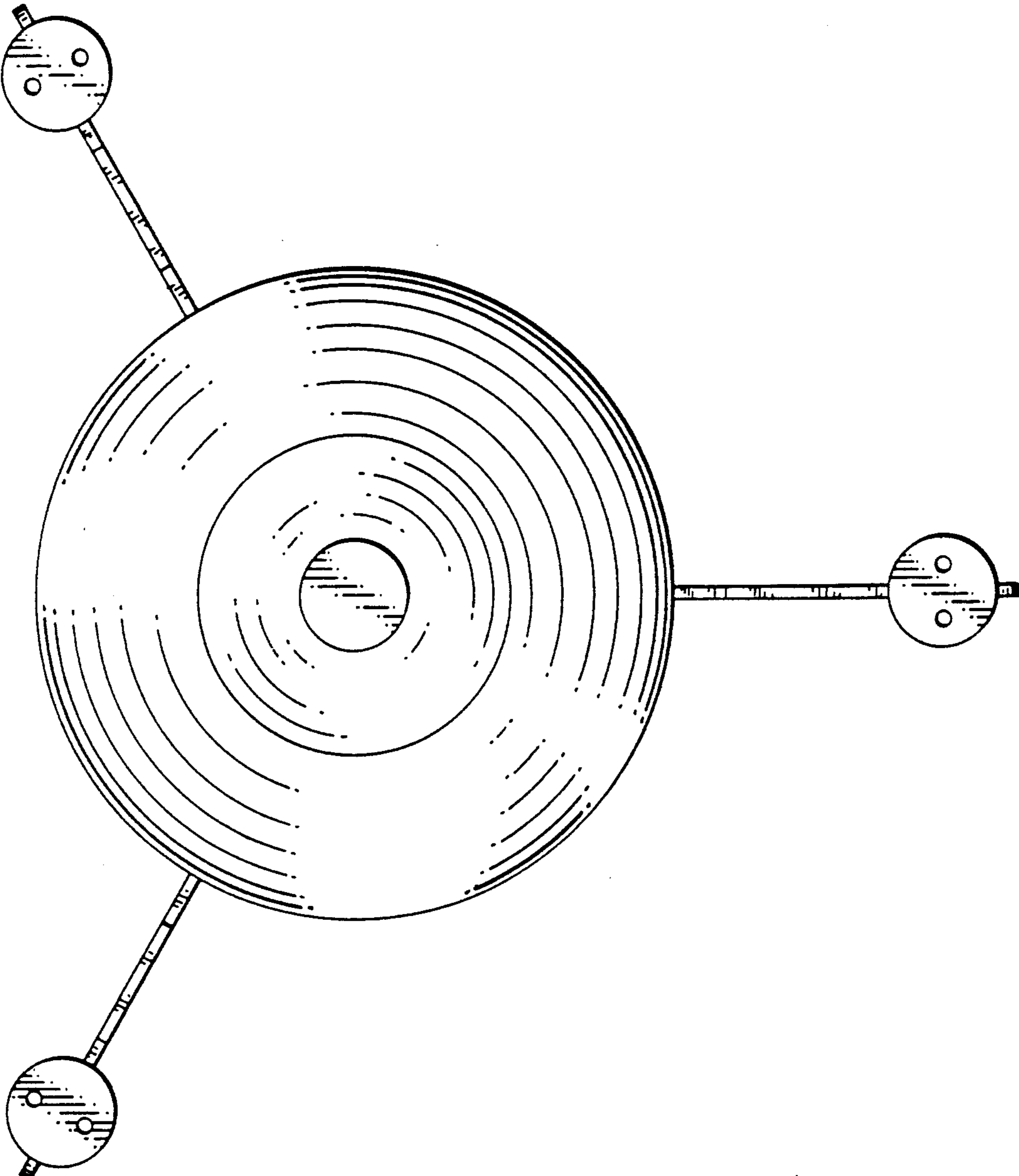


FIG. 4