



US00D345943S

United States Patent [19]

[11] Patent Number: **Des. 345,943**

Lujan, Jr.

[45] Date of Patent: **** Apr. 12, 1994**

[54] **CHRISTMAS TREE STAND**

2,754,075 7/1956 Nelson D11/130.1 X
2,904,291 9/1959 Harbes et al. 47/40.5 X

[76] Inventor: **Tommy V. Lujan, Jr.**, 5081 County 11th St., Yuma, Ariz. 85364

Primary Examiner—Bernard Ansher
Assistant Examiner—Dominic Simone
Attorney, Agent, or Firm—Harry M. Weiss

[**] Term: **14 Years**

[21] Appl. No.: **948,957**

[57] **CLAIM**

[22] Filed: **Sep. 21, 1992**

The ornamental design for a christmas tree stand, as shown and described.

[52] U.S. Cl. **D11/130.1**

[58] Field of Search 47/40.5; 248/519, 523;
D11/130.1

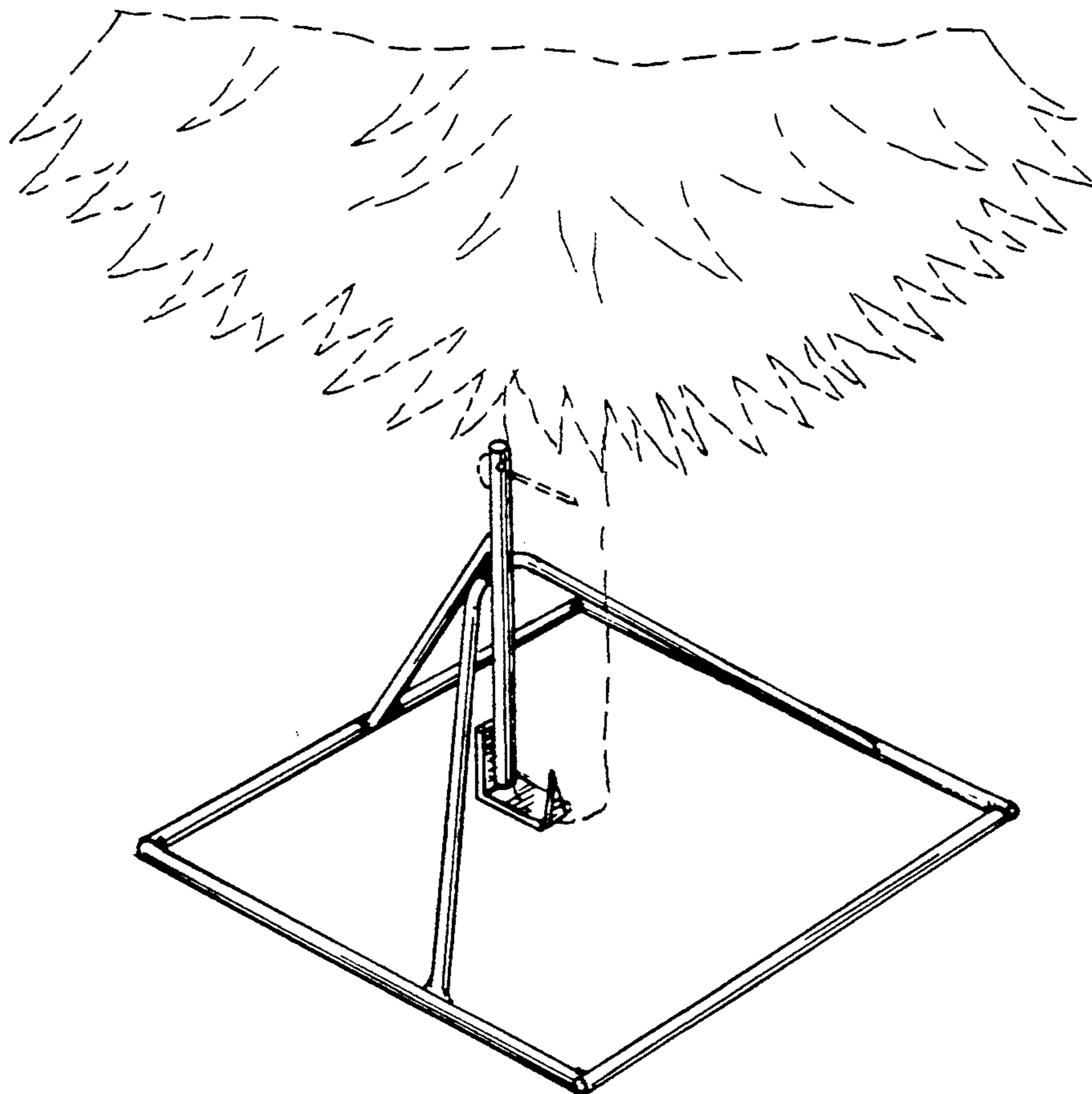
DESCRIPTION

[56] **References Cited**

U.S. PATENT DOCUMENTS

D. 193,864 10/1962 Austenson D11/130.1
1,481,015 1/1924 Klein 47/40.5 X
2,448,304 8/1948 Gabel 47/40.5
2,621,878 12/1952 Kruger 47/40.5

FIG. 1 is a perspective view of a christmas tree stand showing my new design;
FIG. 2 is a top plan view thereof;
FIG. 3 is a side elevational view thereof, the other side is a mirror image of that shown;
FIG. 4 is a bottom plan view thereof;
FIG. 5 is a front side elevational view thereof; and,
FIG. 6 is a back side elevational view thereof.



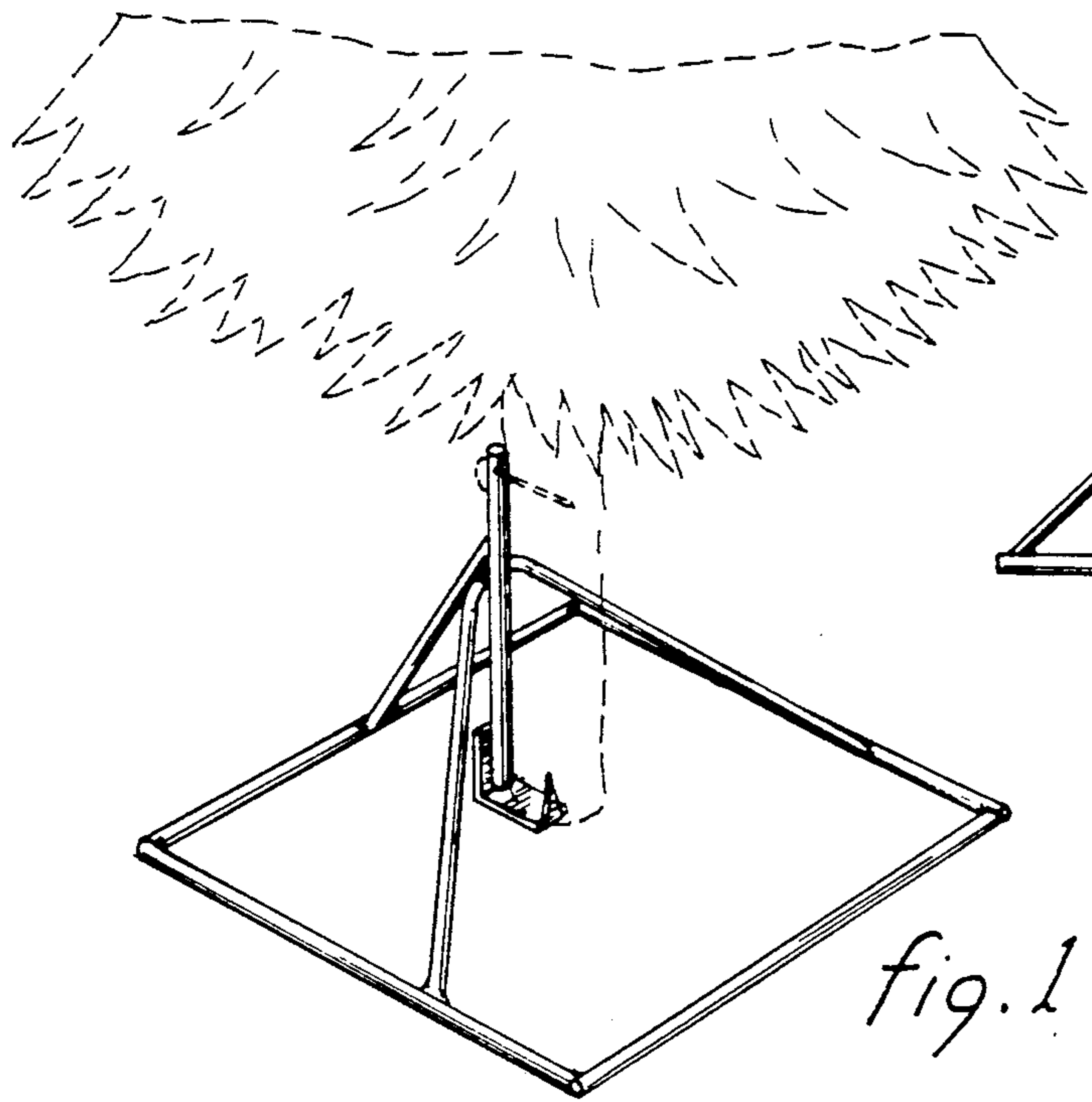


fig. 1

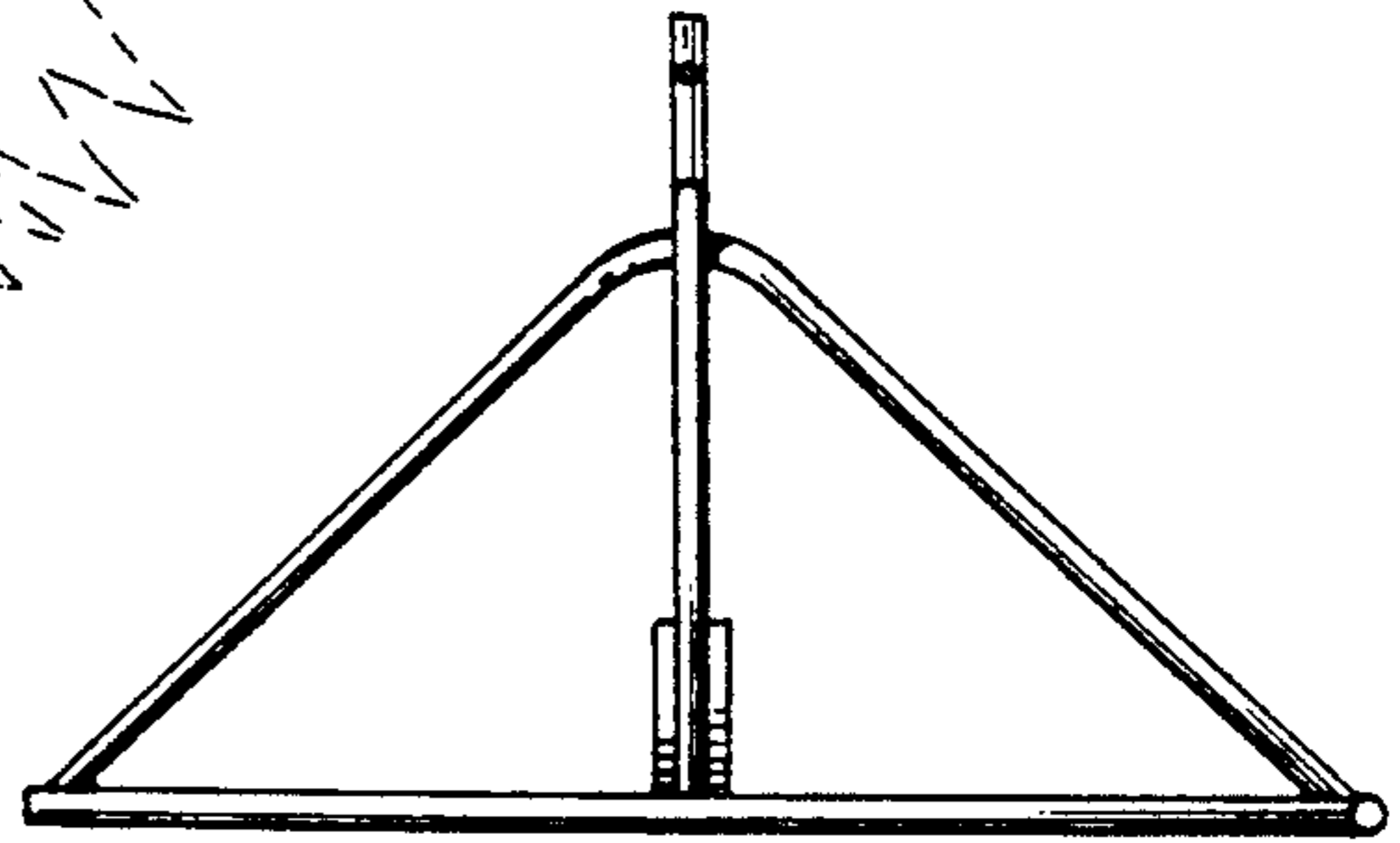


fig. 6

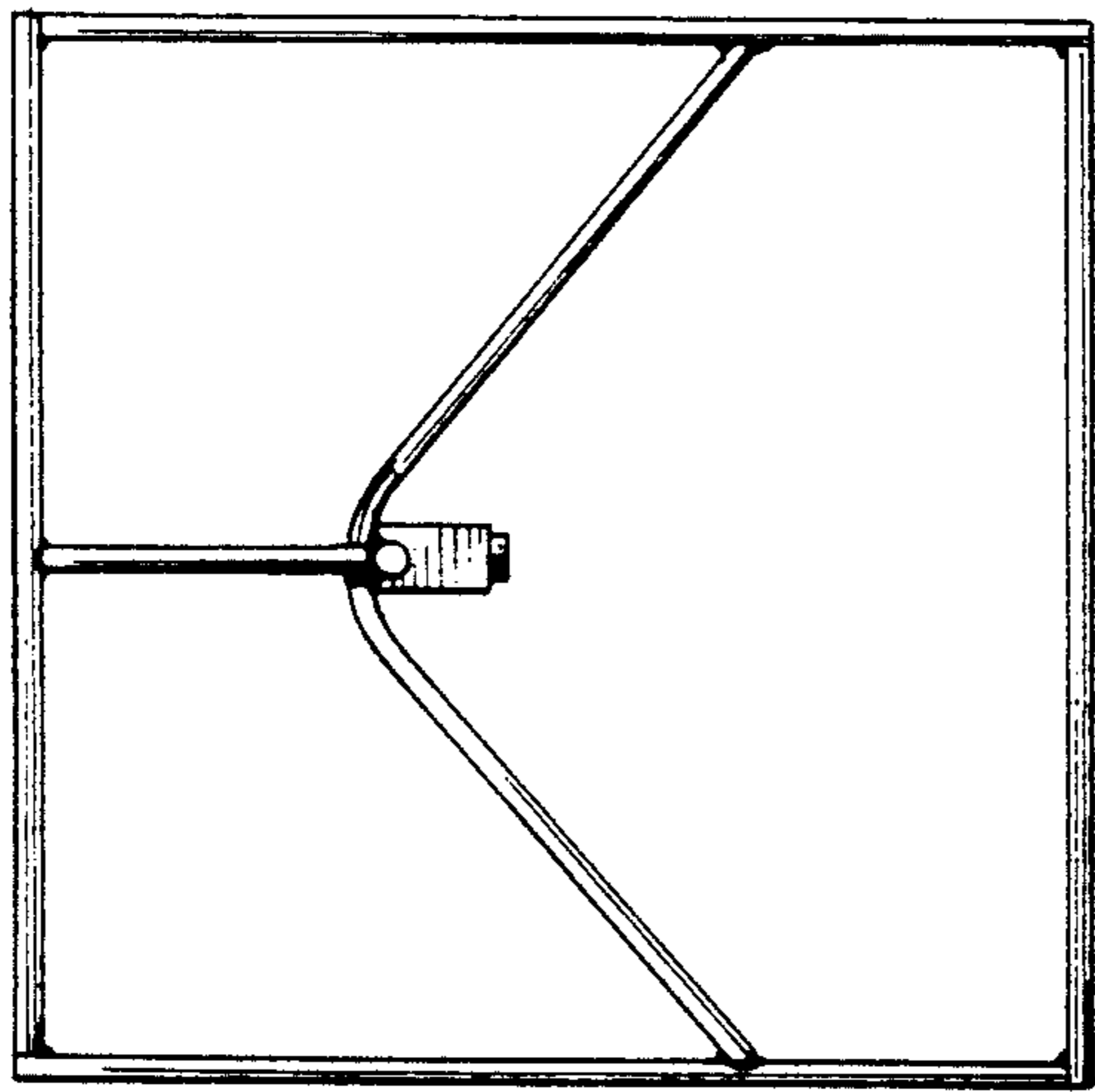


fig. 2

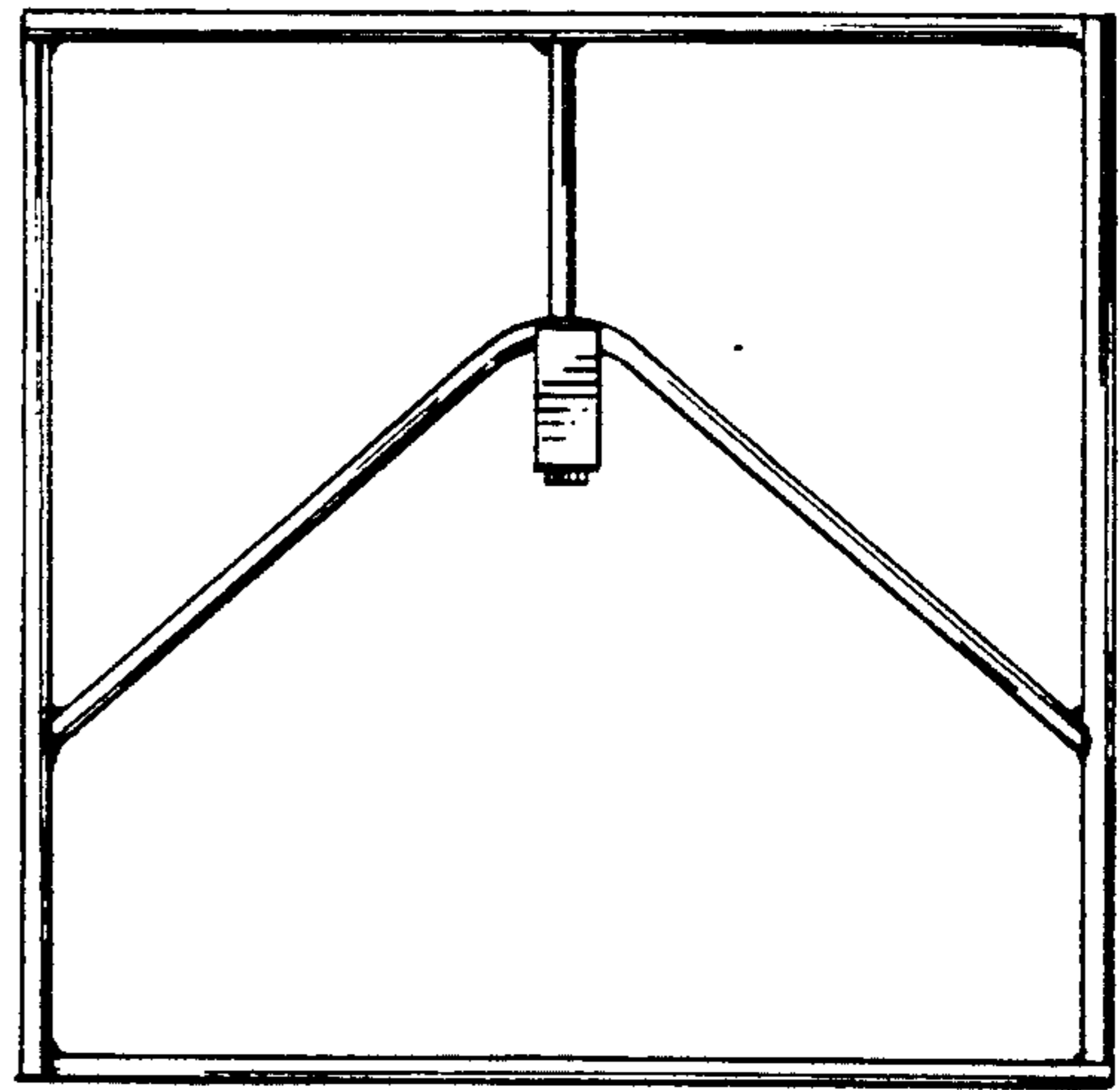


fig. 4

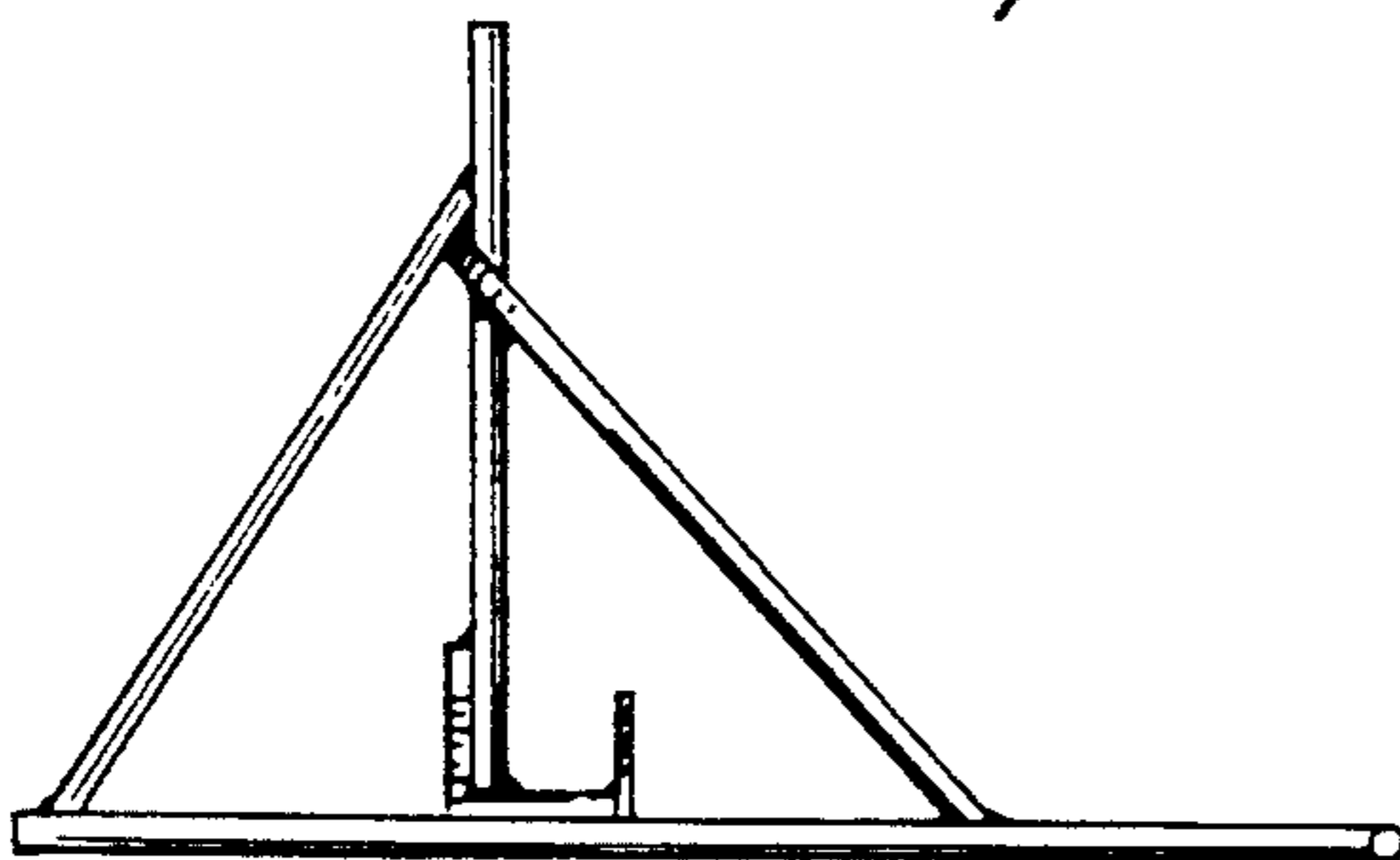


fig. 3

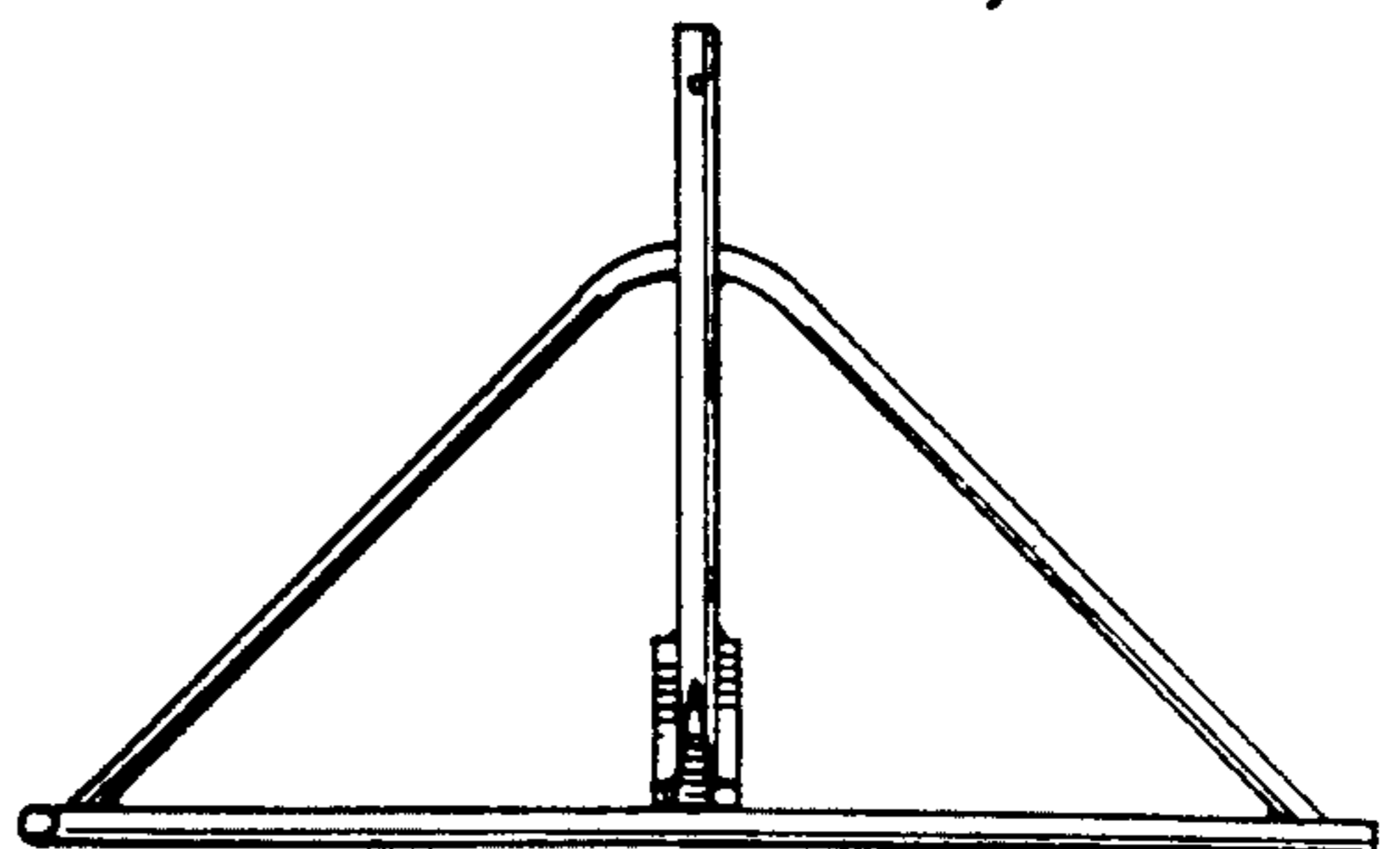


fig. 5