



US00D345924S

United States Patent [19]

[11] Patent Number: **Des. 345,924**

Clincy

[45] Date of Patent: **** Apr. 12, 1994**

[54] **COMBINED CLOCK AND TABLE LAMP**

D. 316,610 4/1991 Winn D26/65
D. 325,262 4/1992 Winn D26/65 X
D. 331,984 12/1992 Winn D26/63

[76] Inventor: **Herman C. Clincy**, 1498 Stigger Rd.,
Jackson, Miss. 39209-9802

Primary Examiner—Nelson C. Holtje
Attorney, Agent, or Firm—Richard C. Litman

[**] Term: **14 Years**

[21] Appl. No.: **837,996**

[57] CLAIM

[22] Filed: **Feb. 21, 1992**

The ornamental design for a combined clock and table lamp, as shown and described.

[52] U.S. Cl. **D10/5; D26/54**

[58] Field of Search 368/10, 276-277,
368/285; D10/1-40, 122-132; D26/54, 110, 63,
65

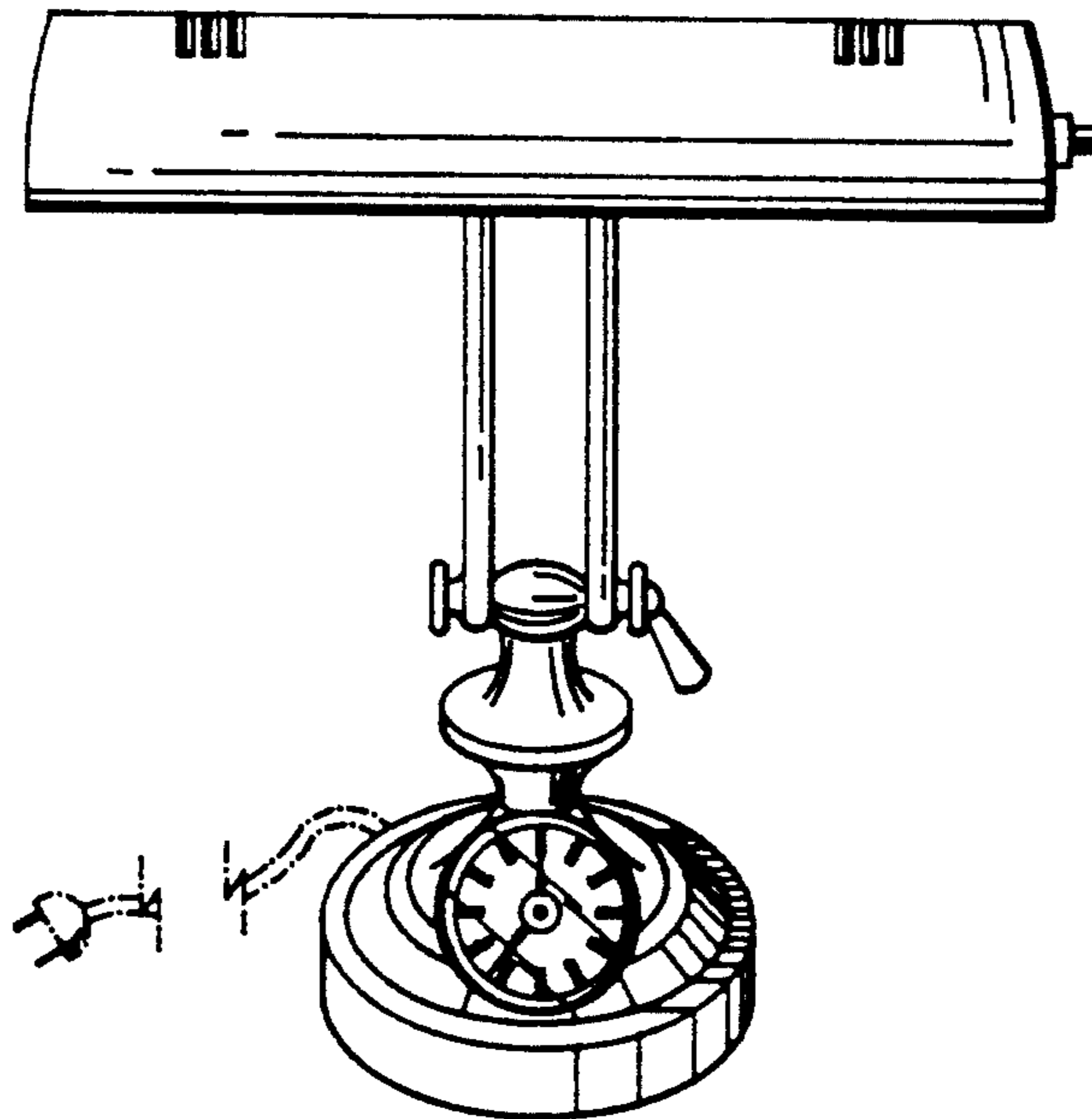
DESCRIPTION

[56] References Cited

U.S. PATENT DOCUMENTS

- D. 75,569 6/1928 Kollman .
- D. 84,142 5/1931 Hallam .
- D. 144,539 4/1946 Cameron .
- D. 161,862 2/1951 Mugnai .
- D. 163,233 5/1951 Williams .
- D. 249,242 9/1978 Williams .

FIG. 1 is a front perspective view of a combined clock and table lamp showing my new design; FIG. 2 is a front elevational view thereof; FIG. 3 is a rear elevational view thereof; FIG. 4 is a left side view thereof; FIG. 5 is a right side view thereof; FIG. 6 is a top plan view thereof; and, FIG. 7 is a bottom plan view thereof. The broken-line cord of FIG. 1 is environmental only and forms no part of the claimed design.



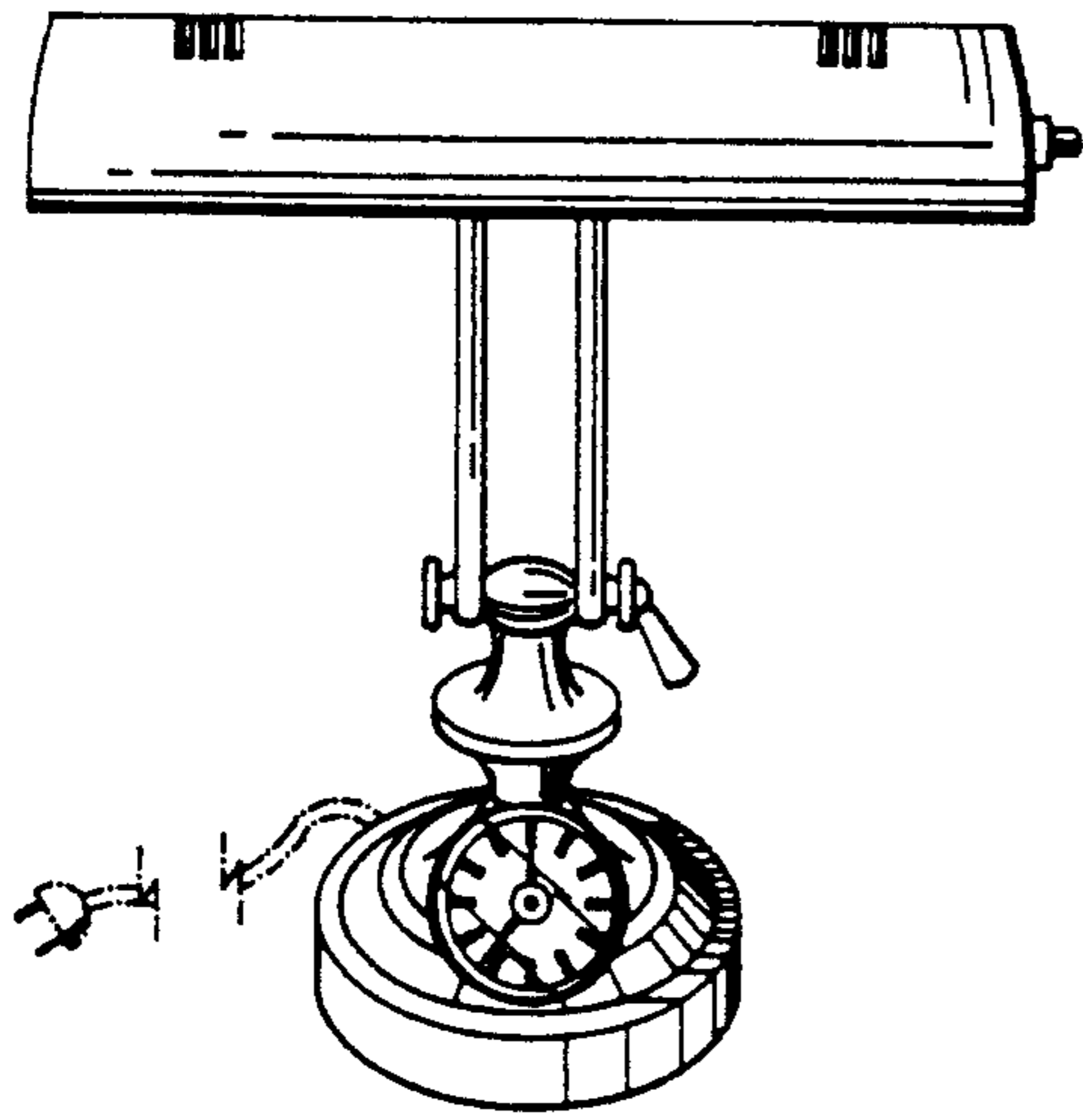


FIG. 1

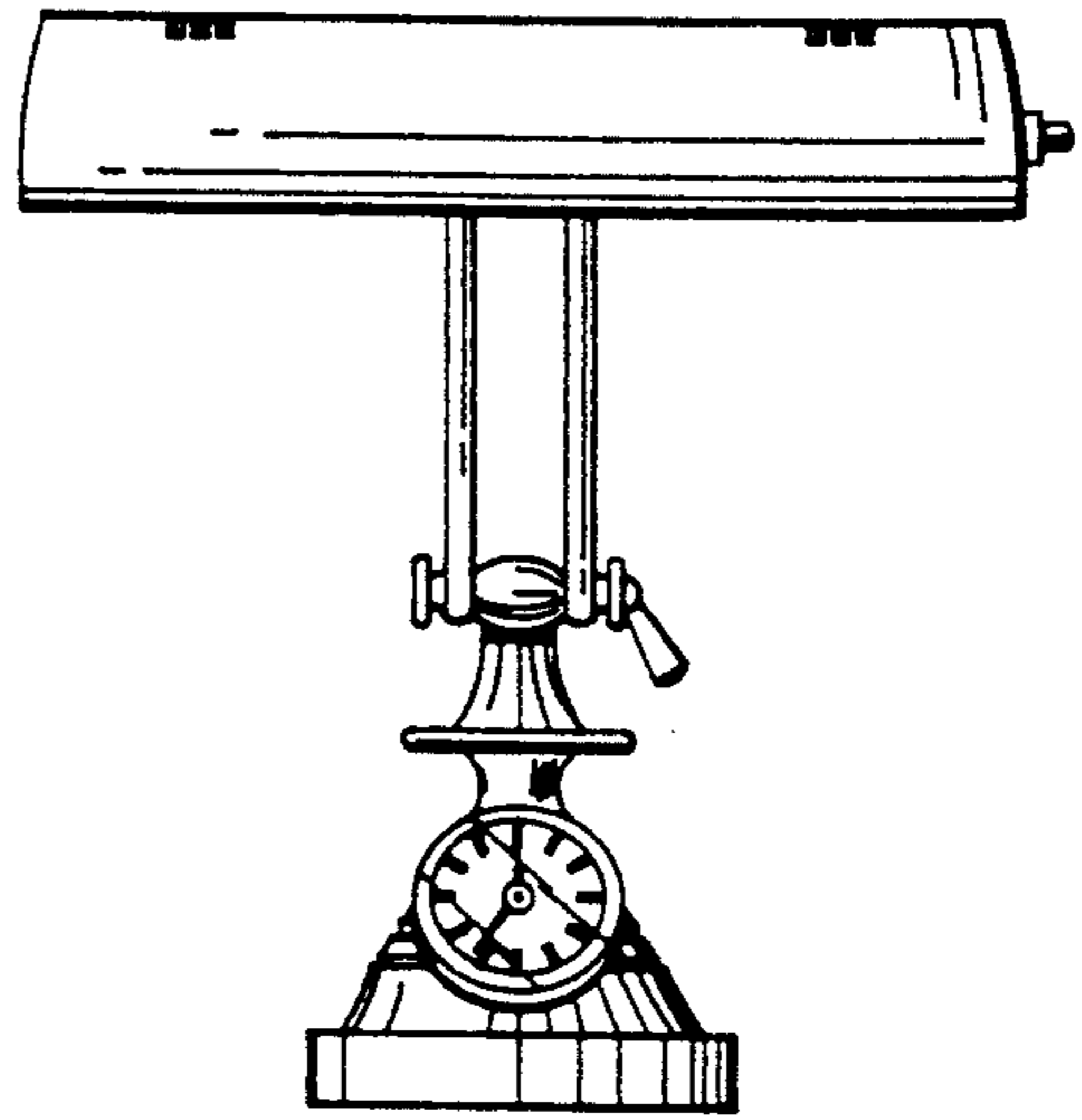


FIG. 2

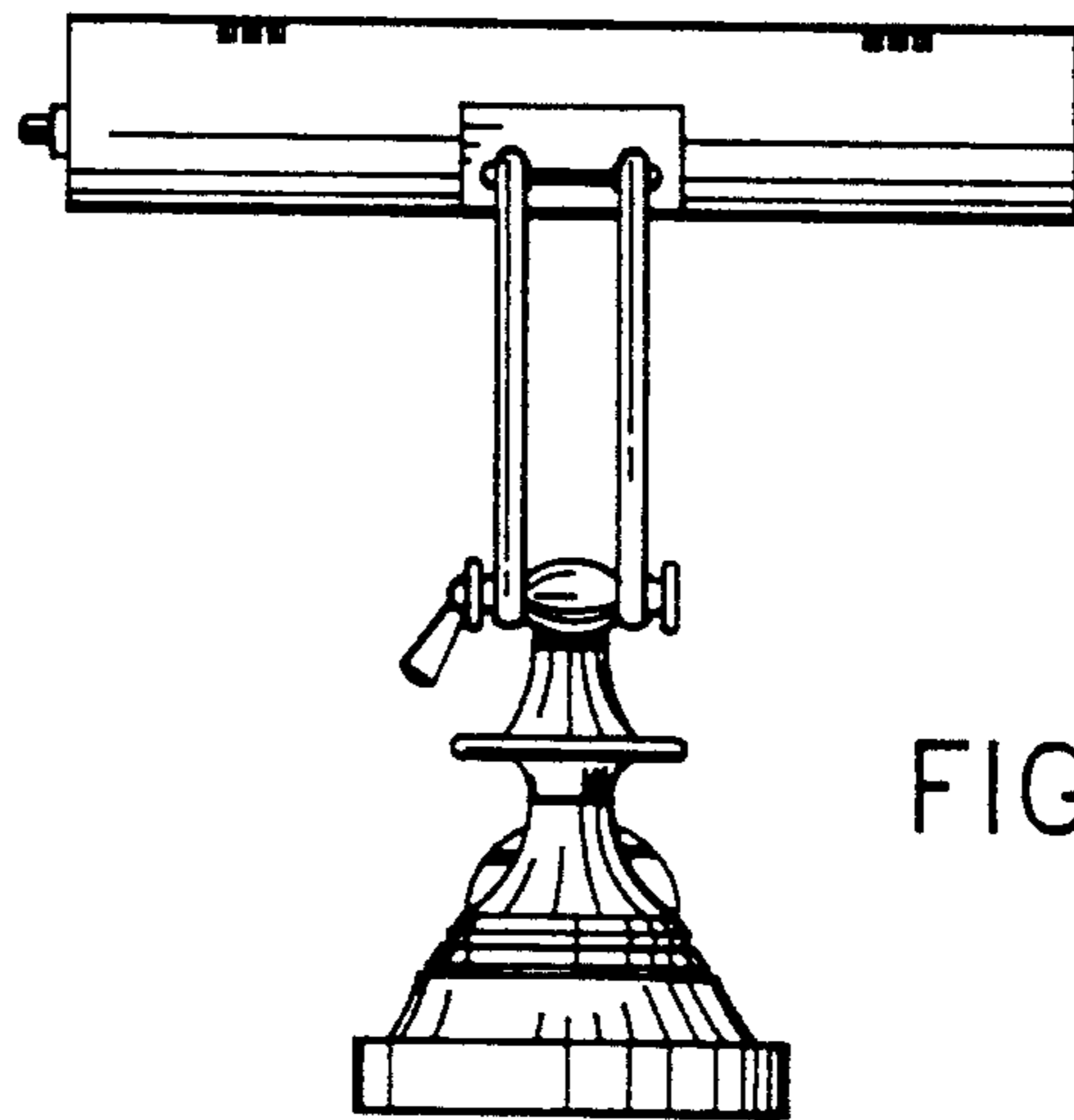


FIG. 3

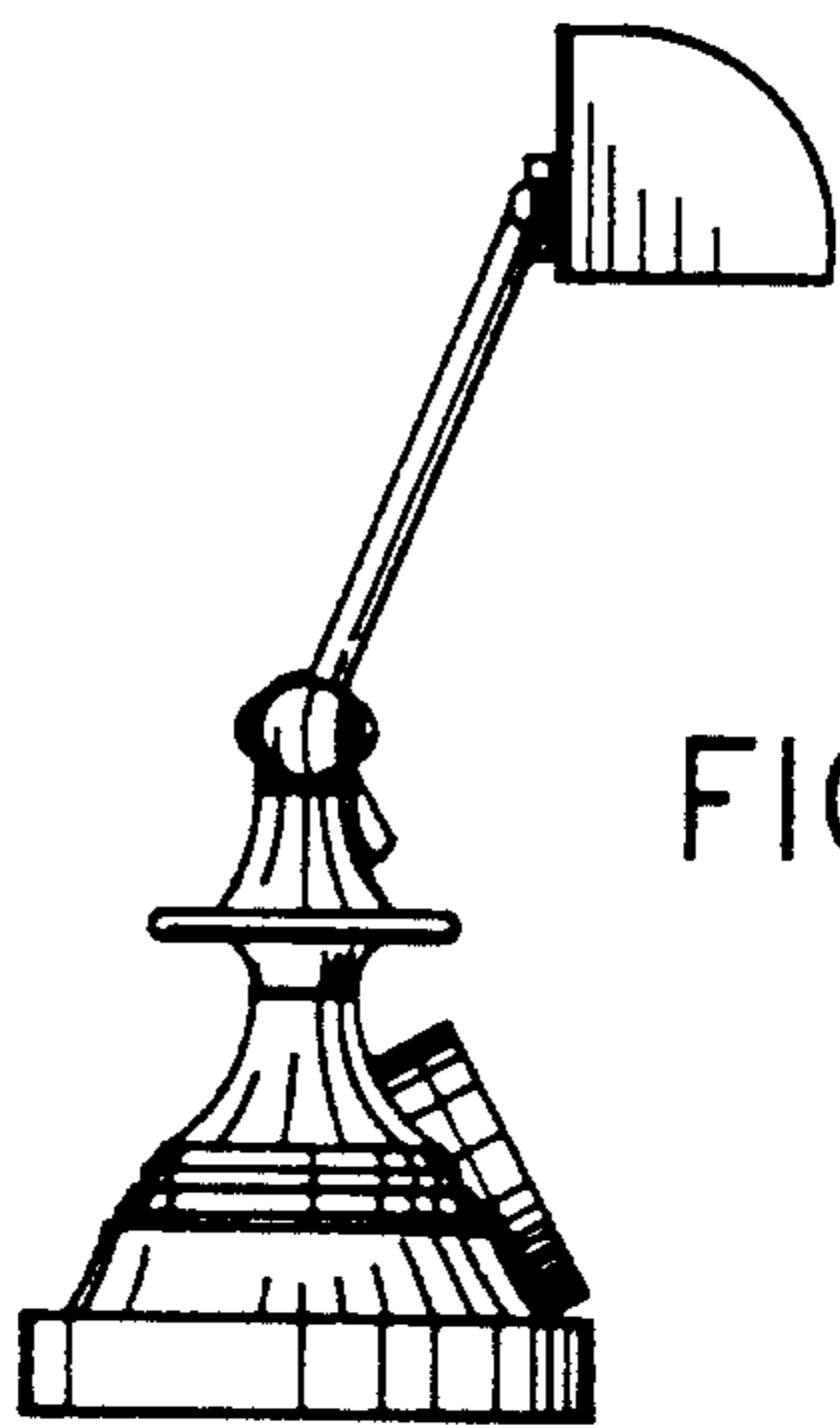


FIG. 4

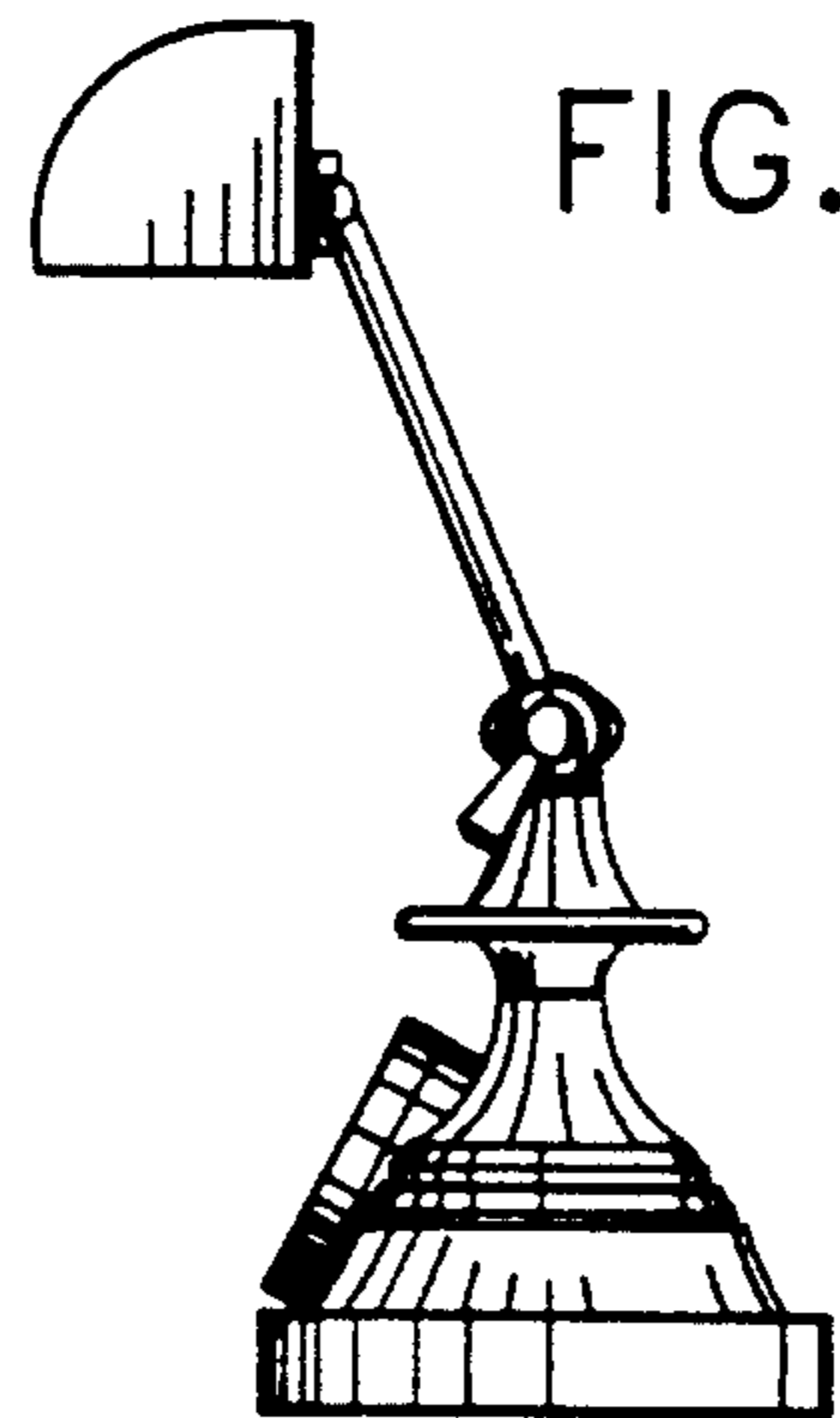


FIG. 5

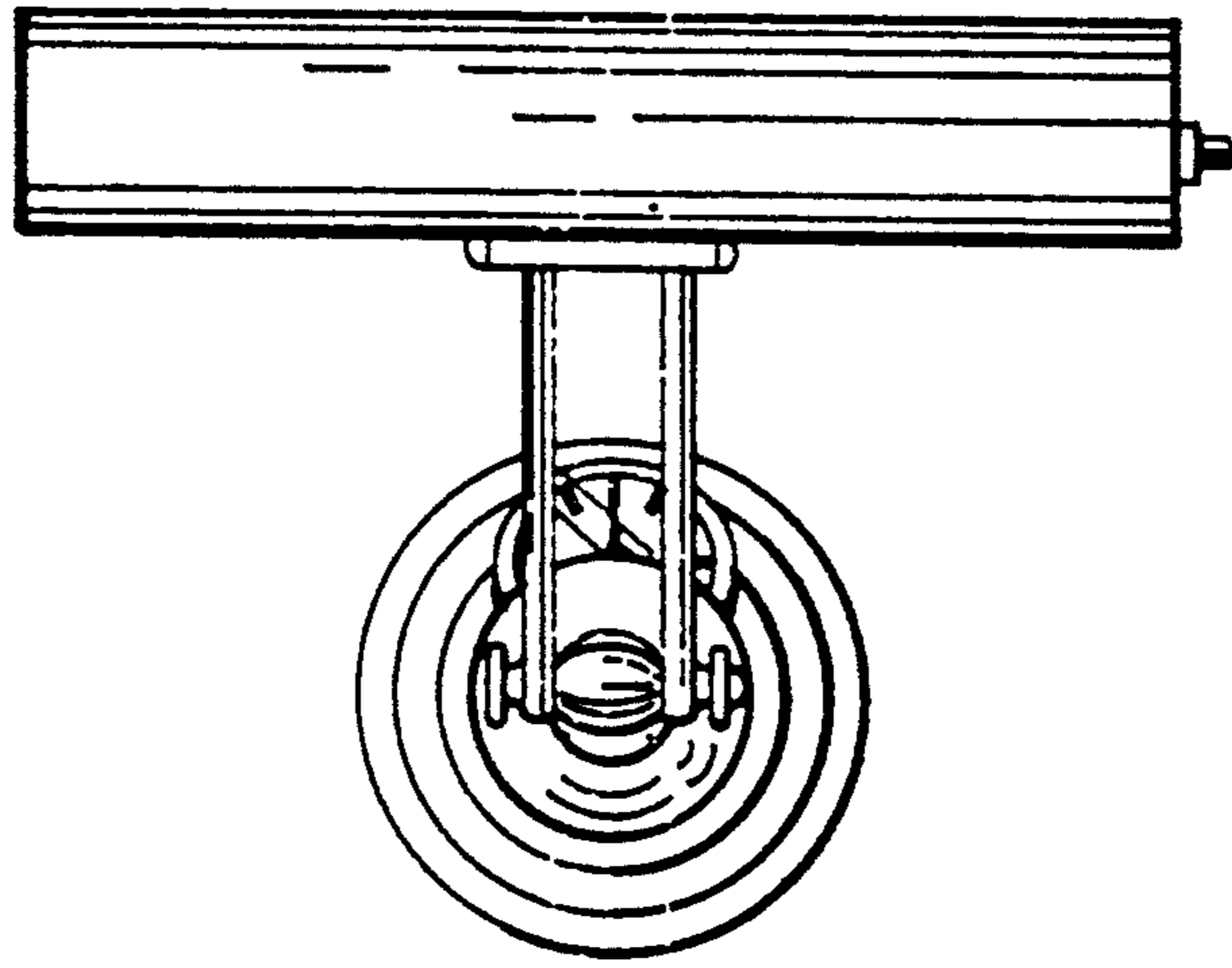


FIG. 6

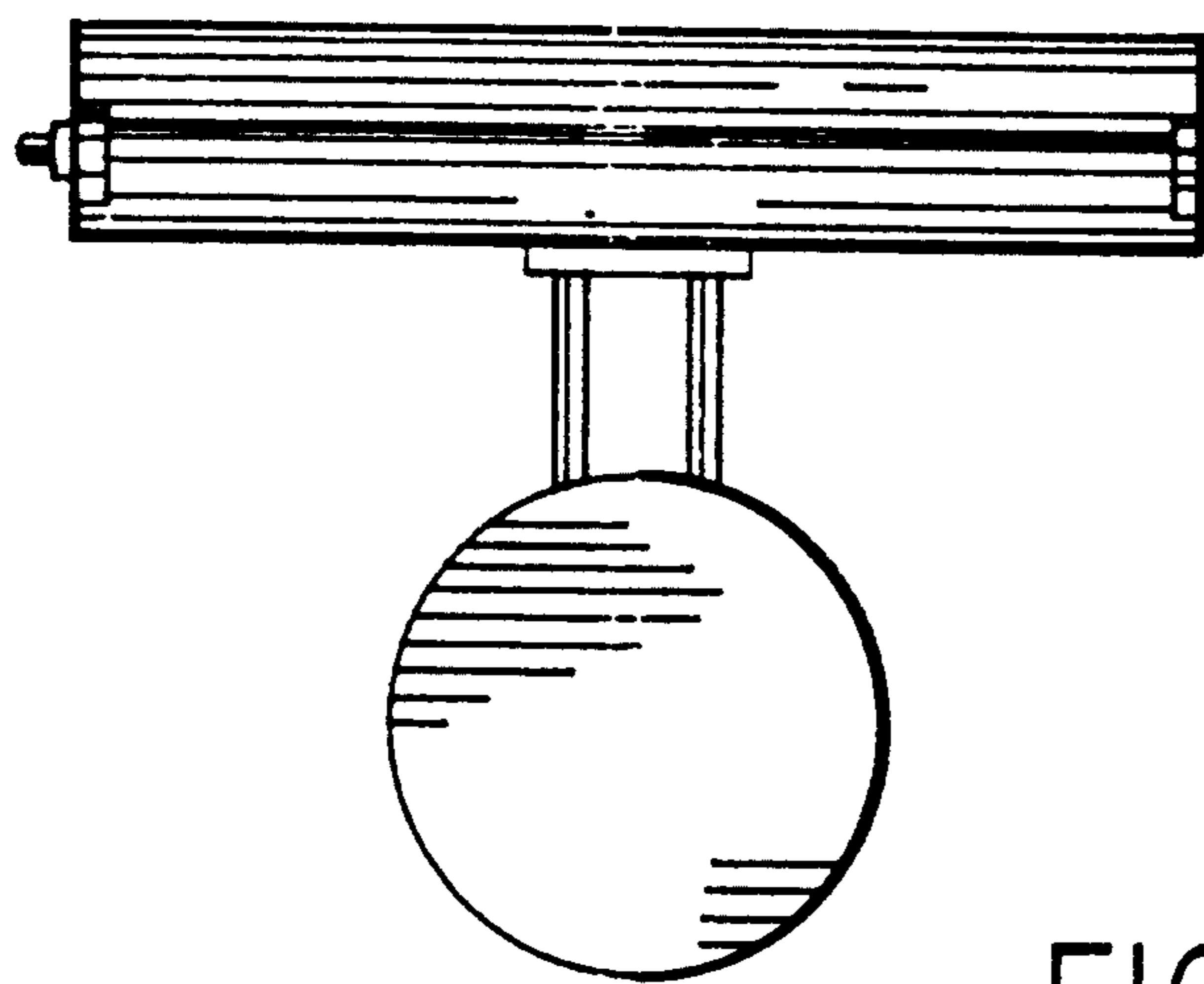


FIG. 7