



US00D345920S

United States Patent [19]
Gobe

[11] **Patent Number: Des. 345,920**

[45] **Date of Patent: ** Apr. 12, 1994**

[54] **JAR WITH COVER**

[75] **Inventor: Marc Gobe, New York, N.Y.**

[73] **Assignee: Victoria's Secret Stores, Inc.,
Reynoldsburg, Ohio**

[**] **Term: 14 Years**

[21] **Appl. No.: 12,536**

[22] **Filed: Sep. 3, 1993**

[52] **U.S. Cl. D9/571; D9/560**

[58] **Field of Search D9/560, 571, 573, 574,
D9/546; 215/1 R, 1 C; D19/93**

[56] **References Cited**

U.S. PATENT DOCUMENTS

- D. 24,582 8/1895 Lowery .
- D. 31,235 7/1899 Low D9/560
- D. 35,443 12/1901 Garrard .
- D. 36,656 12/1903 Ritz D9/560
- D. 39,215 3/1908 Garrett .
- D. 48,551 2/1916 Koken D9/546
- D. 57,893 5/1921 Eberhart D9/560
- D. 76,990 11/1928 Curran .
- D. 85,067 9/1931 Sterrett .
- D. 93,412 9/1934 Kessler .
- D. 103,050 2/1937 Higgins .

- D. 189,372 11/1960 Adell .
- D. 205,098 6/1966 Hallowell .
- D. 211,316 6/1968 Kustermann .
- D. 214,663 7/1969 Brickey, Jr. D9/560
- D. 270,240 8/1983 Ewry .
- D. 283,453 4/1986 Hurrell .
- D. 306,695 3/1990 Smith .
- D. 331,016 11/1992 Dinand et al. D9/544

OTHER PUBLICATIONS

Beauty Fashion, Sep. 1980, p. 73, Shiseido jar.

Primary Examiner—Bernard Ansher

Assistant Examiner—Lucy Lieberman

Attorney, Agent, or Firm—Colucci & Umans

[57] **CLAIM**

The ornamental design for a jar with cover, as shown and described.

DESCRIPTION

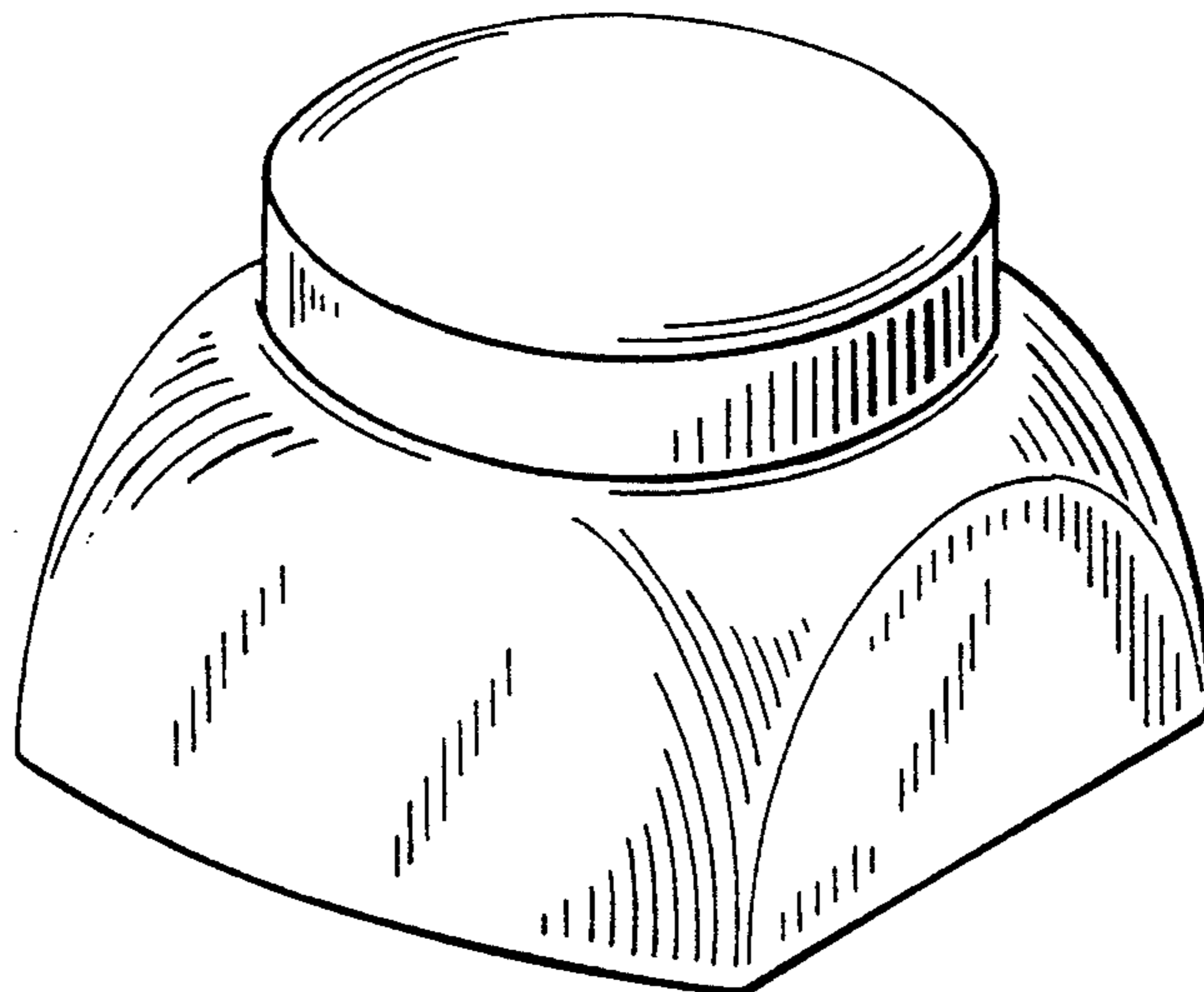
FIG. 1 is a front, right, top perspective view of the jar with cover showing my new design therefor;

FIG. 2 is a front elevational view thereof, the rear elevational view being identical;

FIG. 3 is a side elevational view thereof, the opposite side being identical;

FIG. 4 is a top plan view thereof; and,

FIG. 5 is a bottom plan view thereof.



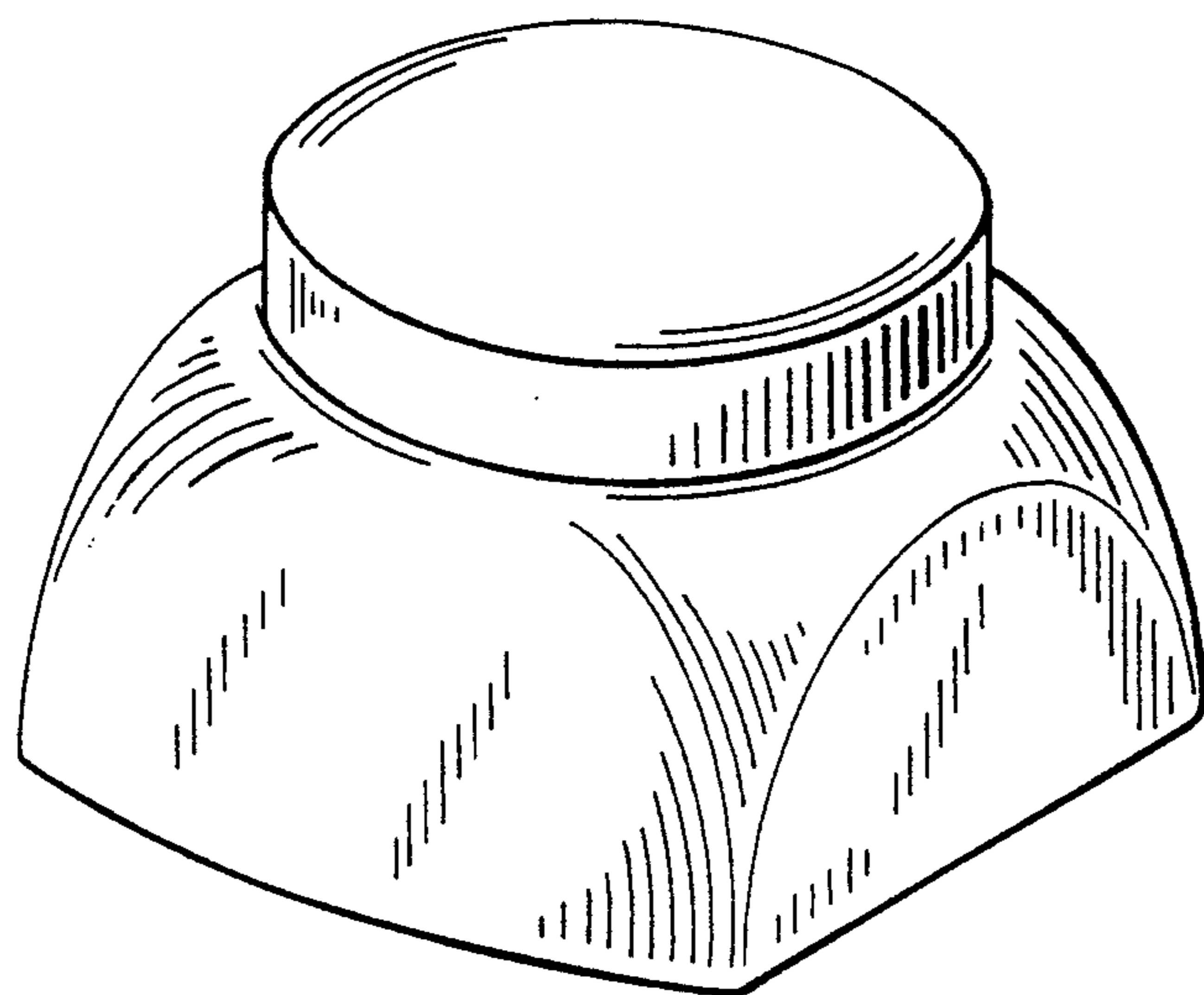


FIG. 1

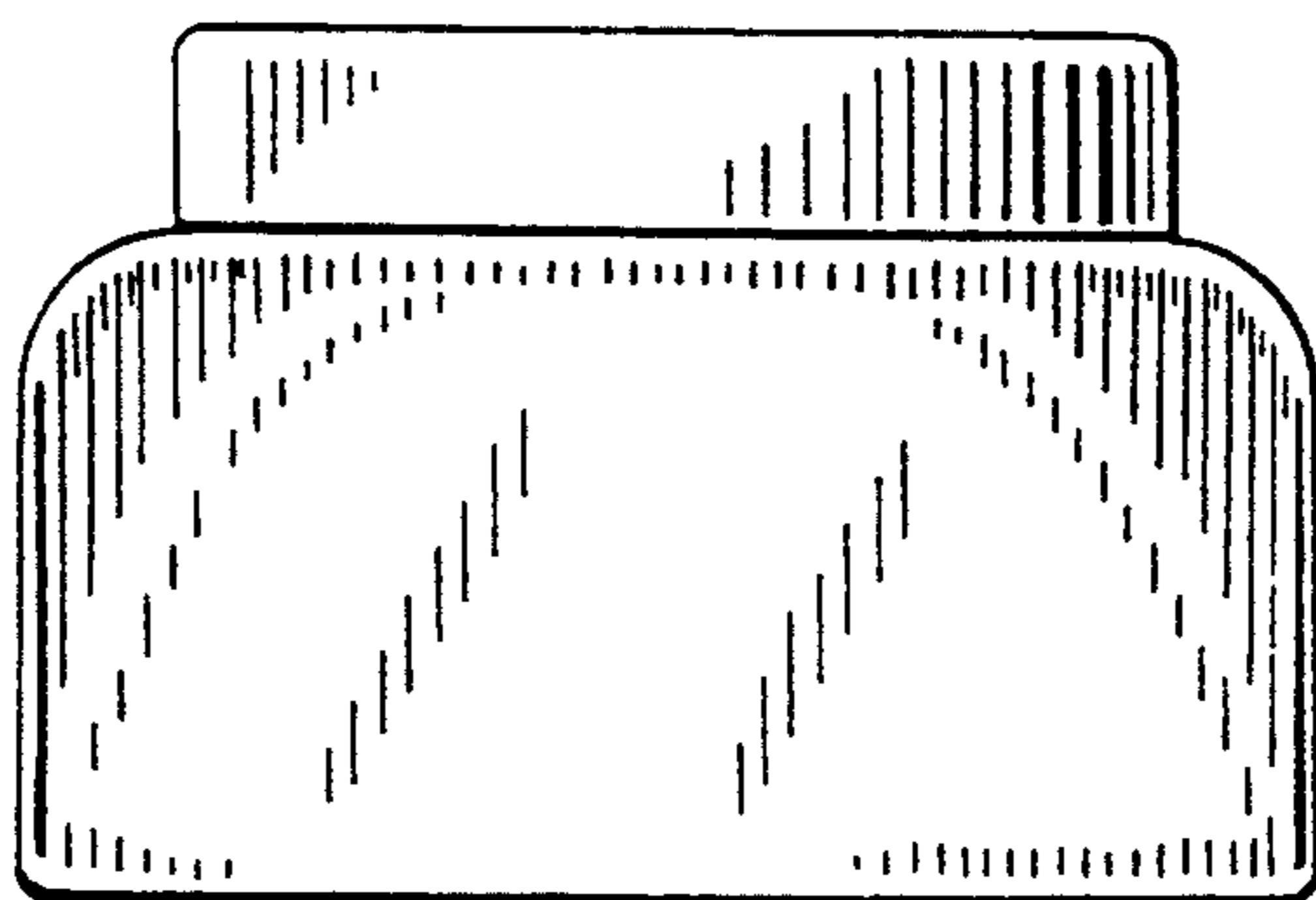


FIG. 2

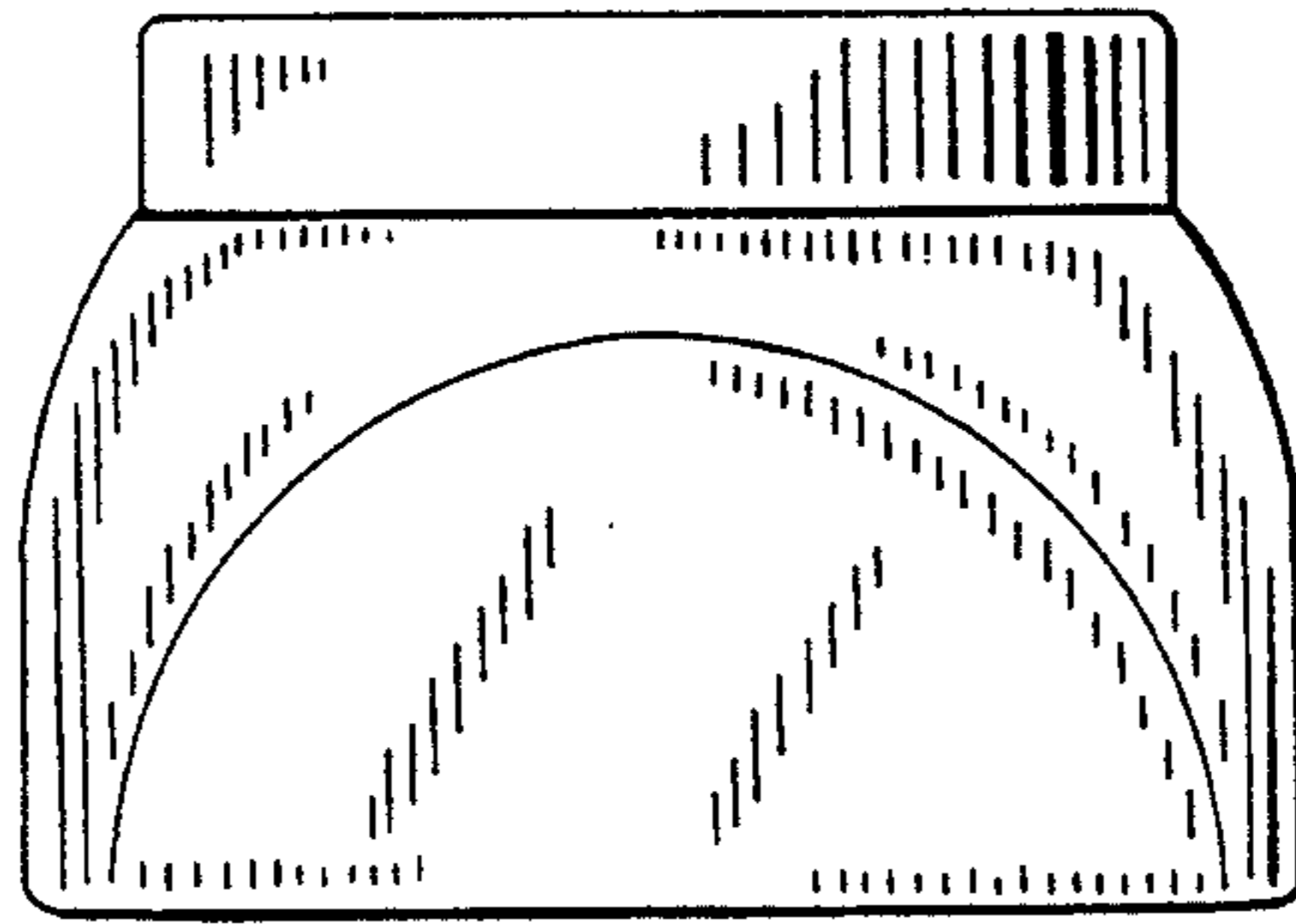


FIG. 3

FIG. 4

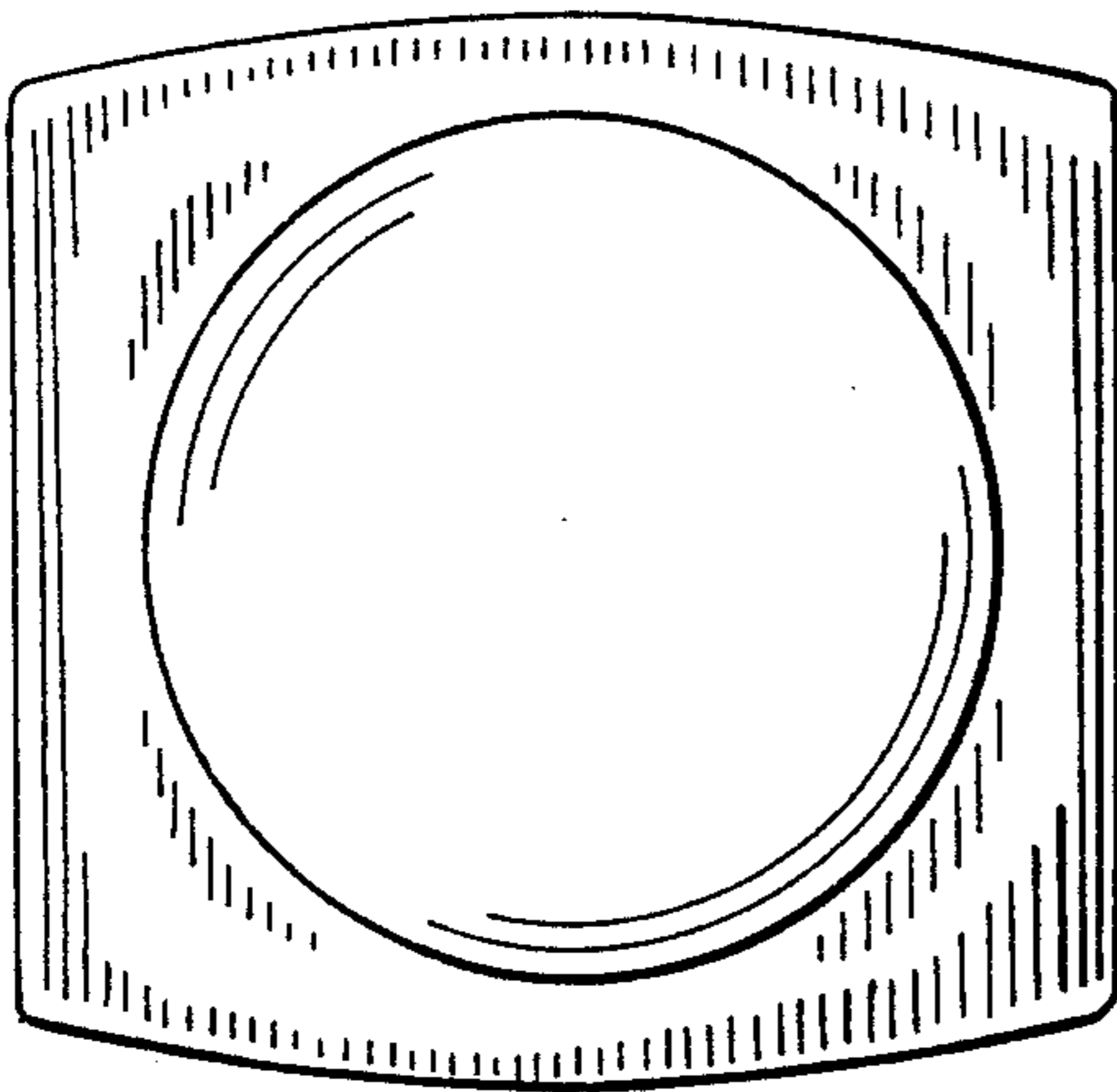


FIG. 5

