



US00D345911S

United States Patent [19]

[11] Patent Number: **Des. 345,911**

Elbaz

[45] Date of Patent: **** Apr. 12, 1994**

[54] **LOBSTER PACKAGING AND DISPLAY UNIT**

5,085,879 2/1992 Elbaz 206/557 X

[75] Inventor: **Gabriel Elbaz, Montreal, Canada**

OTHER PUBLICATIONS

Lewisystems, Jan. 1983, p. 12, Bins.

[73] Assignee: **Sogelco International Inc., Montréal, Canada**

Primary Examiner—Bernard Ansher
Assistant Examiner—Prabhakar Deshmukh
Attorney, Agent, or Firm—ROBIC

[**] Term: **14 Years**

[21] Appl. No.: **760,202**

[57] CLAIM

[22] Filed: **Sep. 16, 1991**

The ornamental design for a lobster packaging and display unit, as shown and described.

[30] Foreign Application Priority Data

DESCRIPTION

Jul. 17, 1991 [CA] Canada 17-07-91-6

[52] U.S. Cl. **D9/425**

[58] Field of Search D9/424, 425, 414, 416,
D9/341, 429, 431, 432, 433, 456; 206/557, 564,
587, 822, 518, 503; 426/396, 129, 393, 643;
119/2; D34/40

FIG. 1 is a perspective view of a lobster packaging and display unit showing my new design;
FIG. 2 is a right side elevational view thereof; the left side elevational view being a mirror my new design;
FIG. 3 is a bottom plan view thereof;
FIG. 4 is a top plan view thereof;
FIG. 5 is a rear elevational view thereof;
FIG. 6 is a front elevational view thereof;
FIG. 7 is a perspective view of an alternate modified form of FIG. 1;
FIG. 8 is a right side elevational view thereof; the left side elevational view being a mirror image thereof;
FIG. 9 is a bottom plan view thereof;
FIG. 10 is a top plan view thereof;
FIG. 11 is a rear elevational view thereof; and,
FIG. 12 is a front elevational view thereof.

[56] References Cited

U.S. PATENT DOCUMENTS

D. 304,680	11/1989	Carlson ..	D9/341
D. 322,759	12/1991	Groves	D9/431 X
3,685,717	8/1972	Seiferth et al.	426/129 X
3,835,994	9/1974	Davis et al.	206/564 X
4,230,729	10/1980	Hoelzel, Jr.	426/129 X
4,840,276	6/1989	George	206/564 X
4,940,190	7/1990	Groves	206/559 X
5,005,703	4/1991	Bodker	206/563

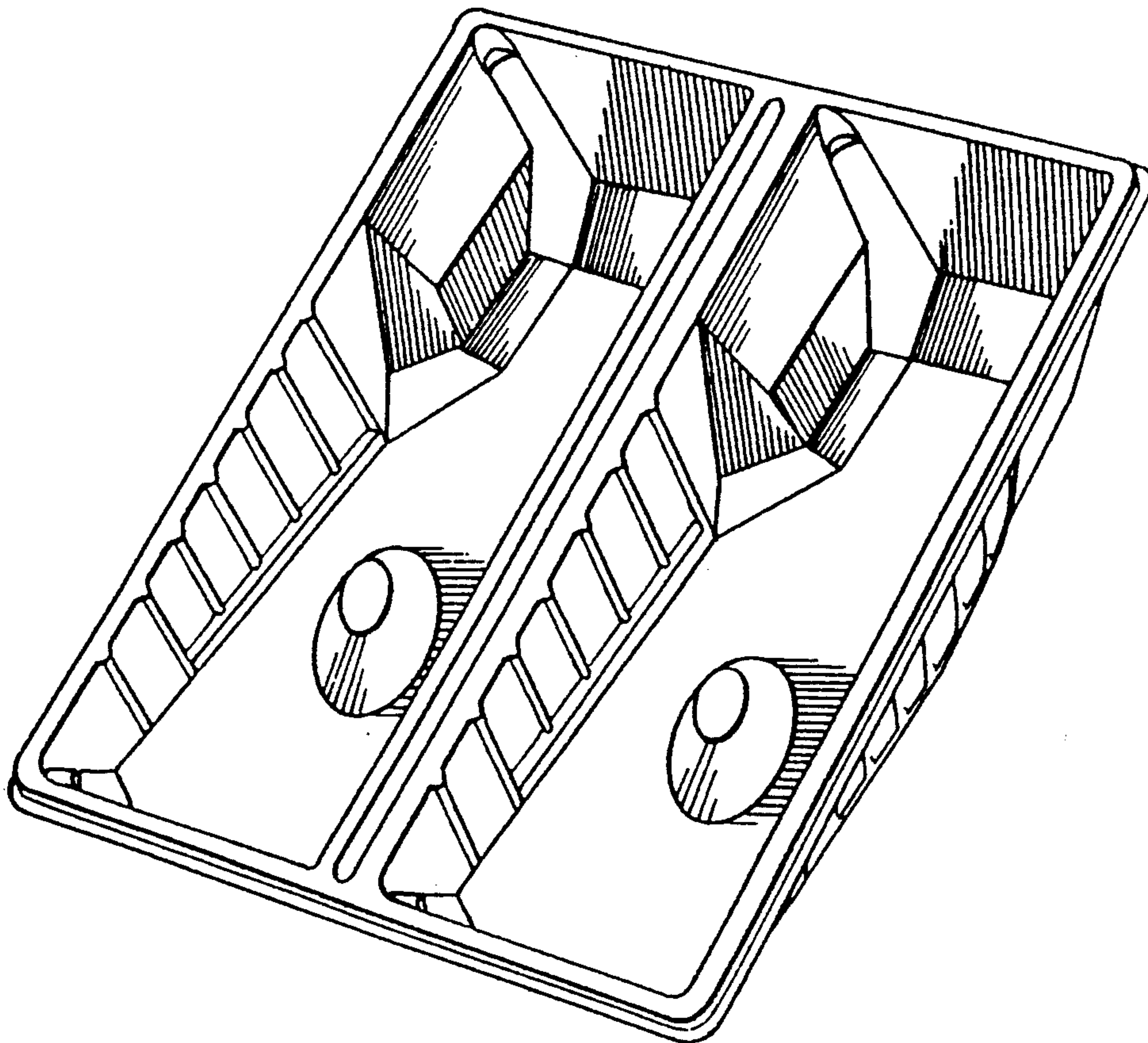
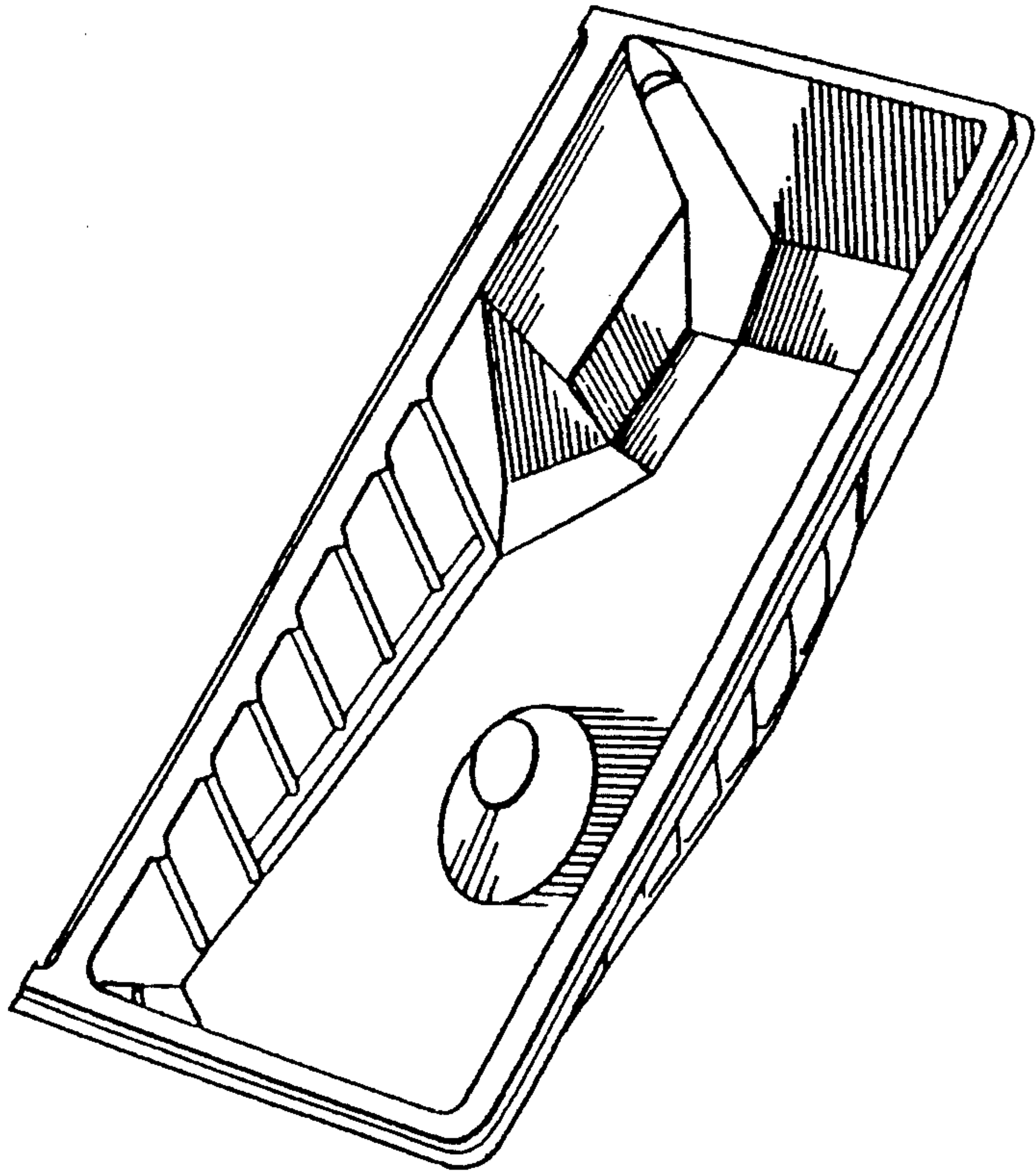


FIG. 1



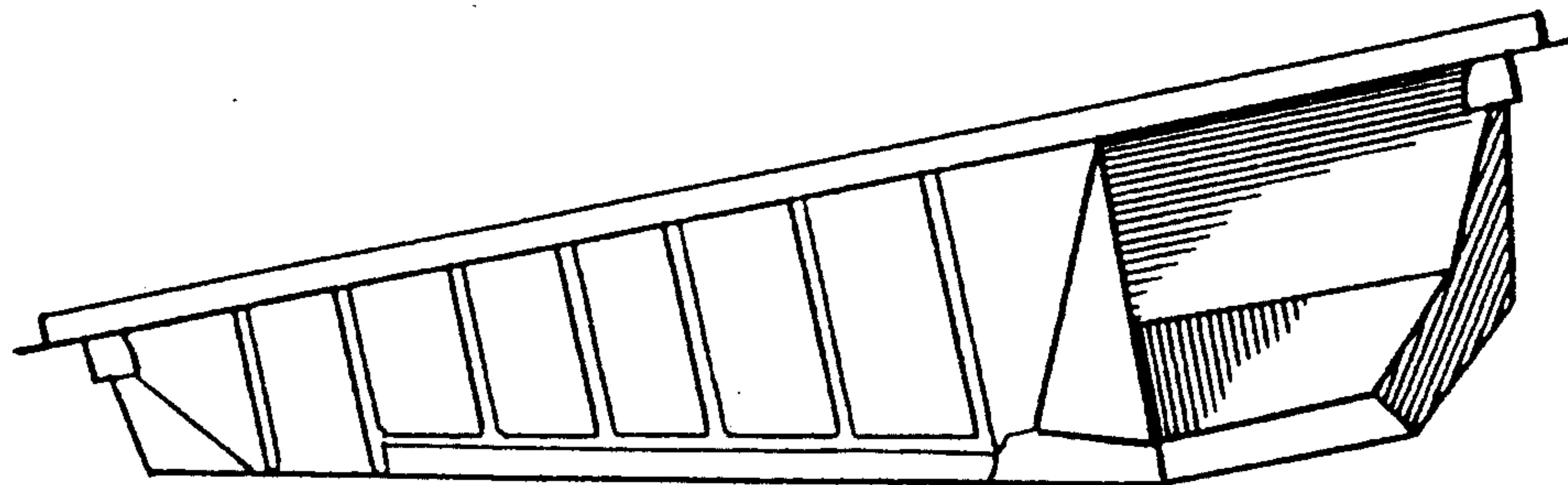


FIG. 2

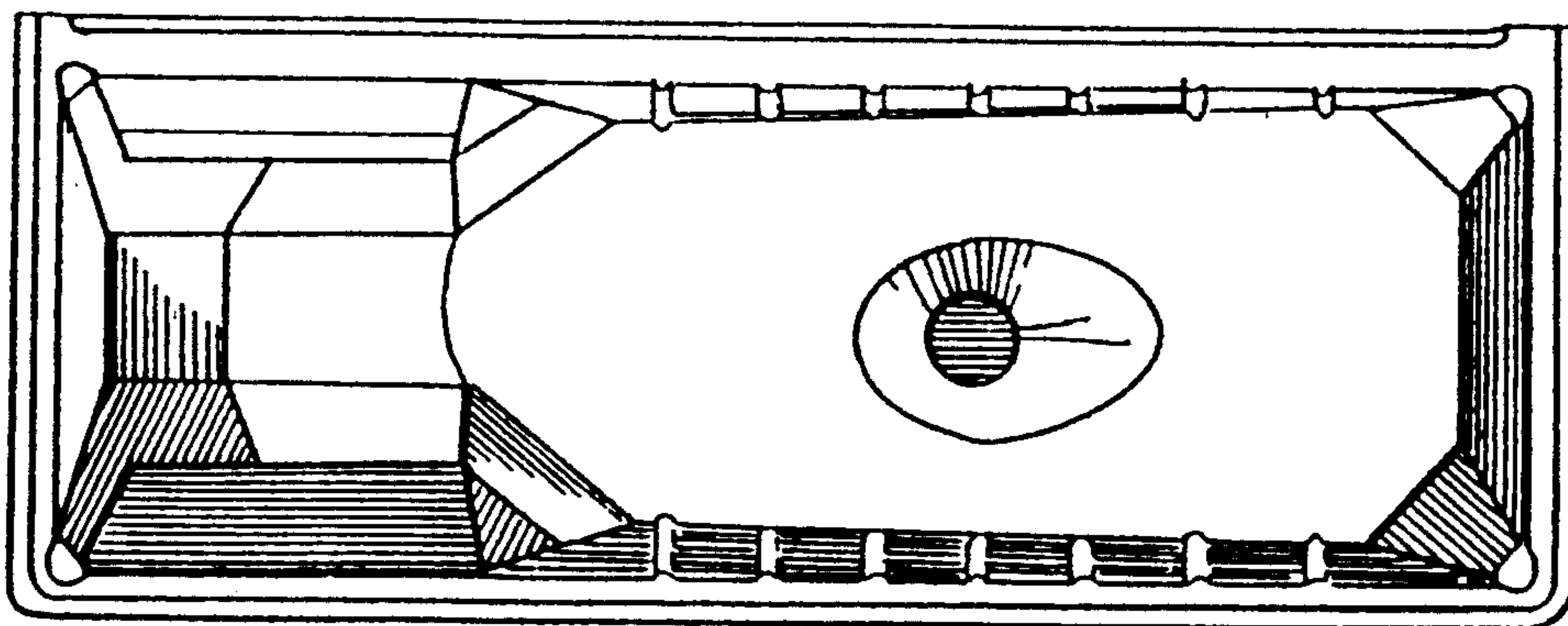


FIG. 3

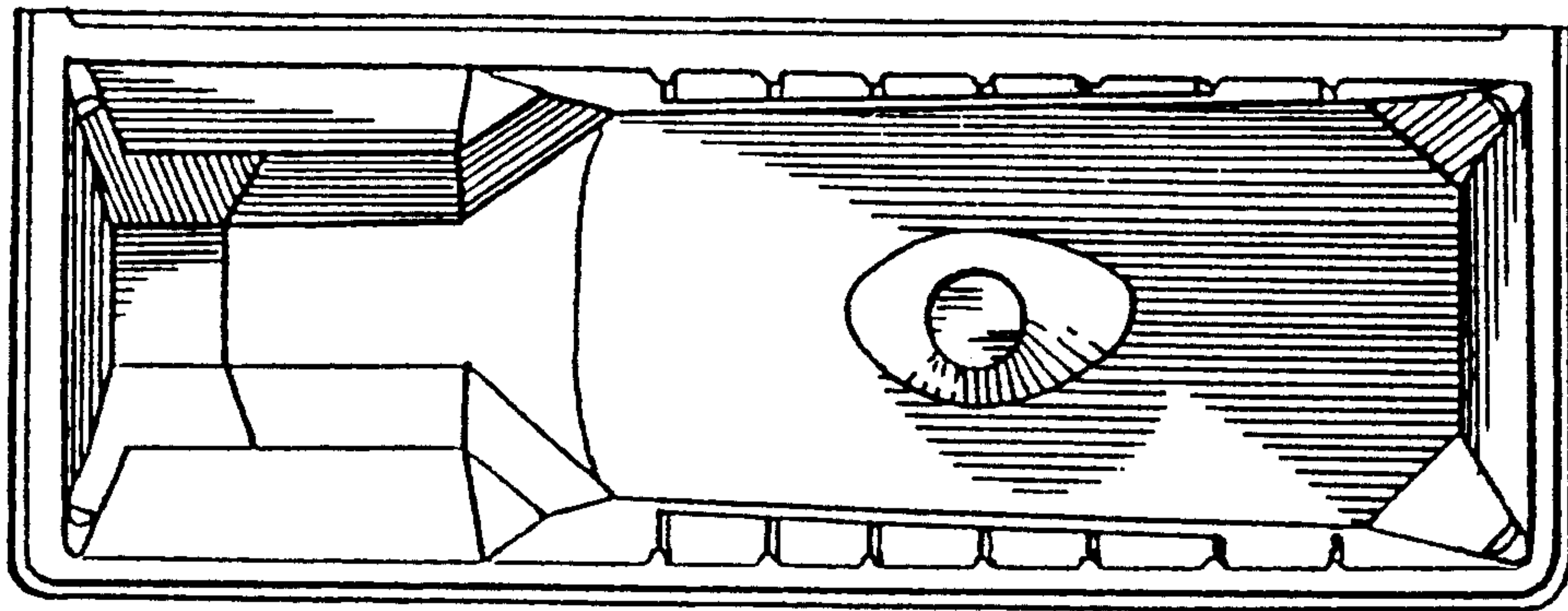


FIG. 4

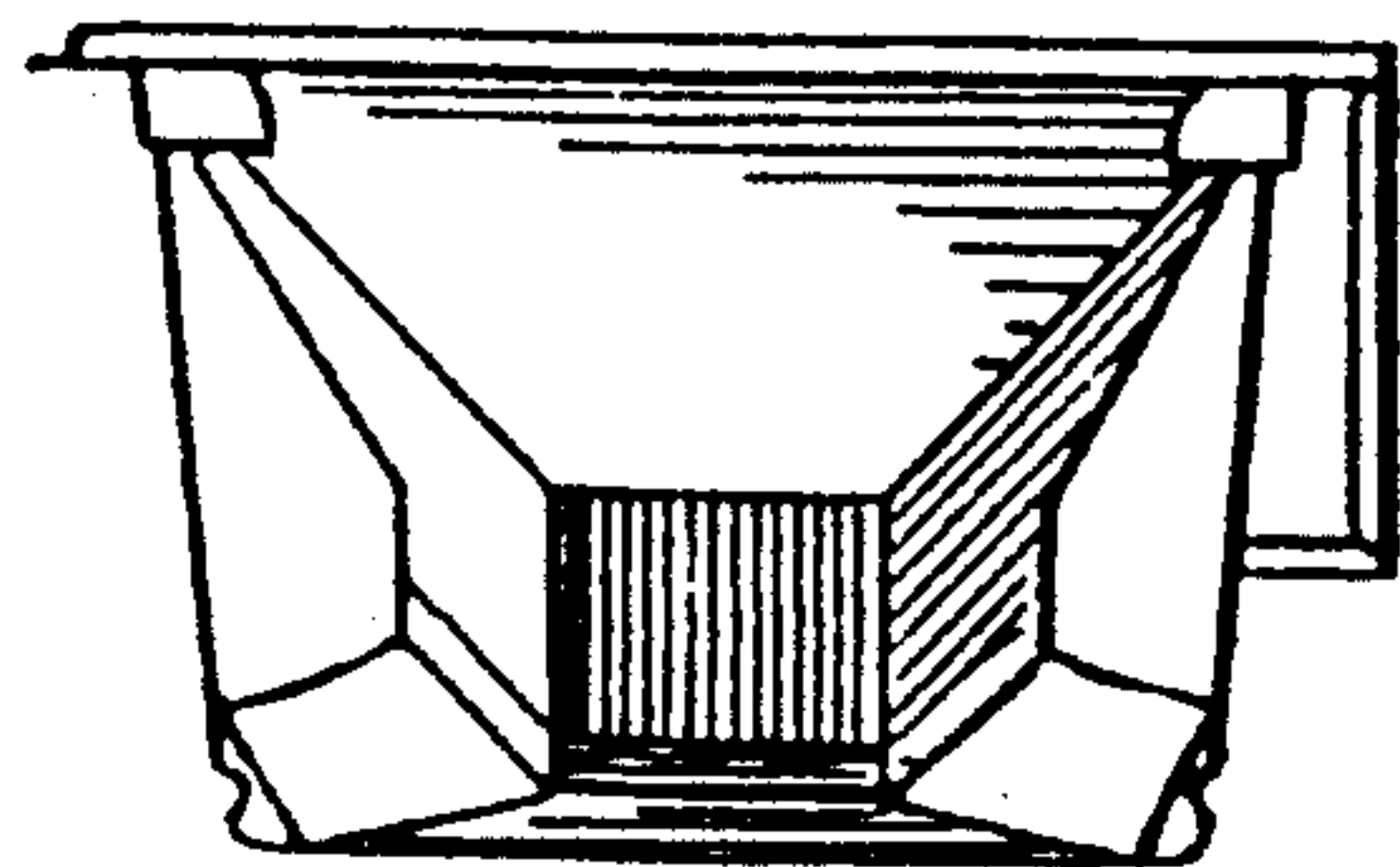


FIG. 5

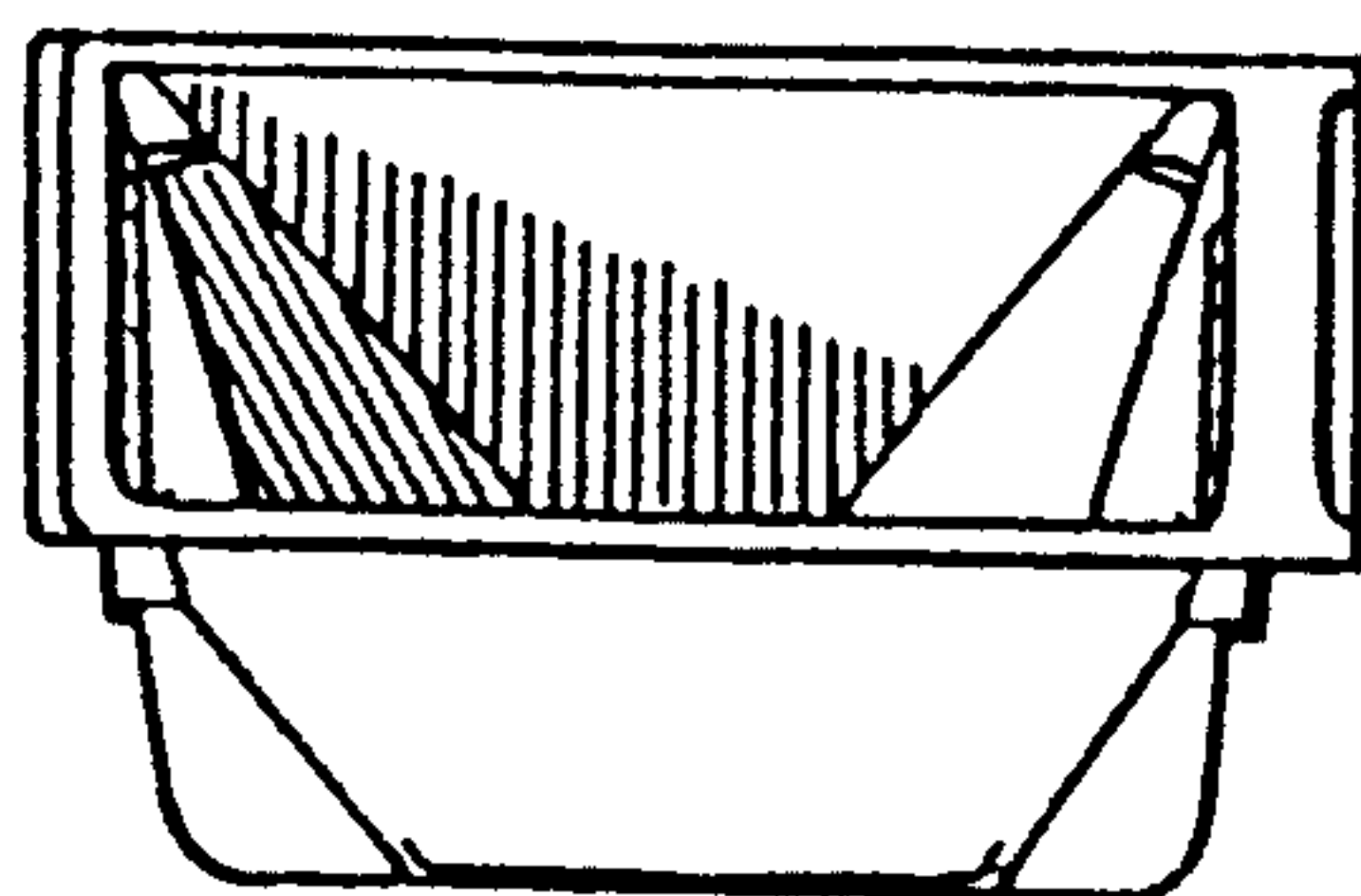


FIG. 6

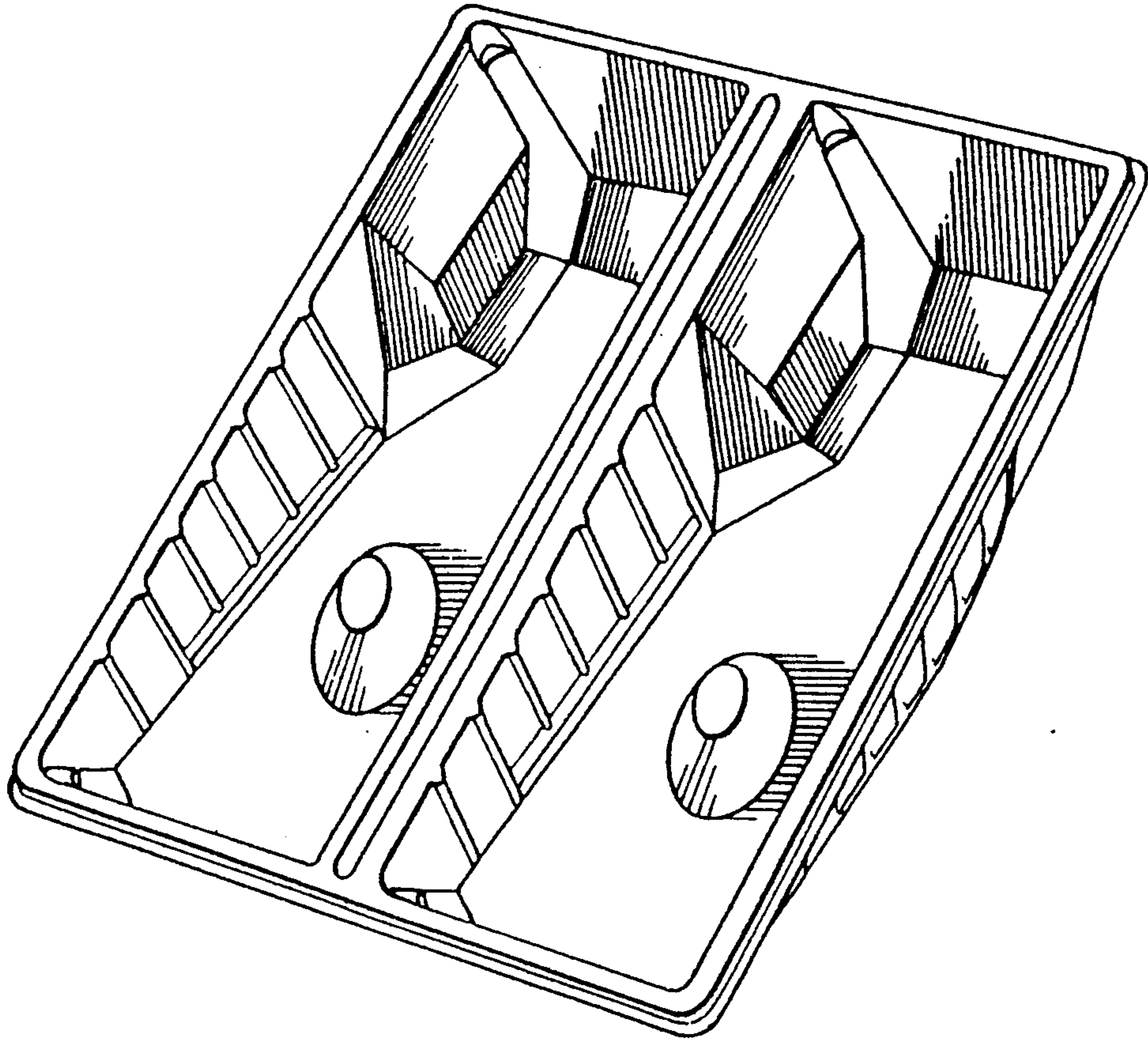


FIG. 7

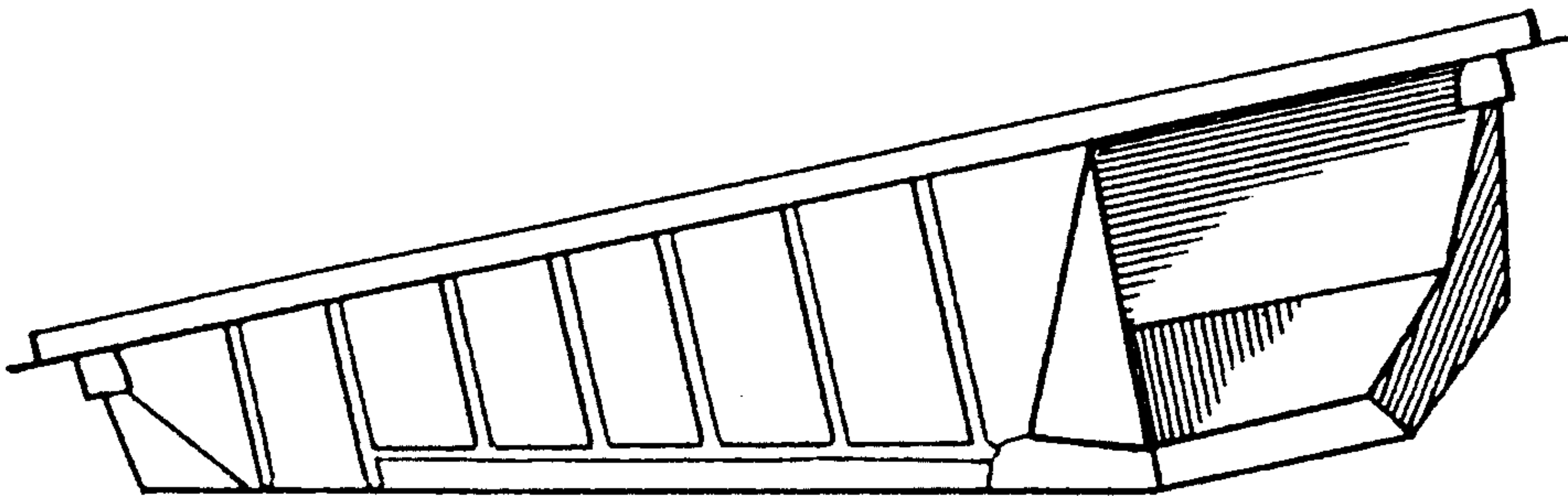


FIG. 8

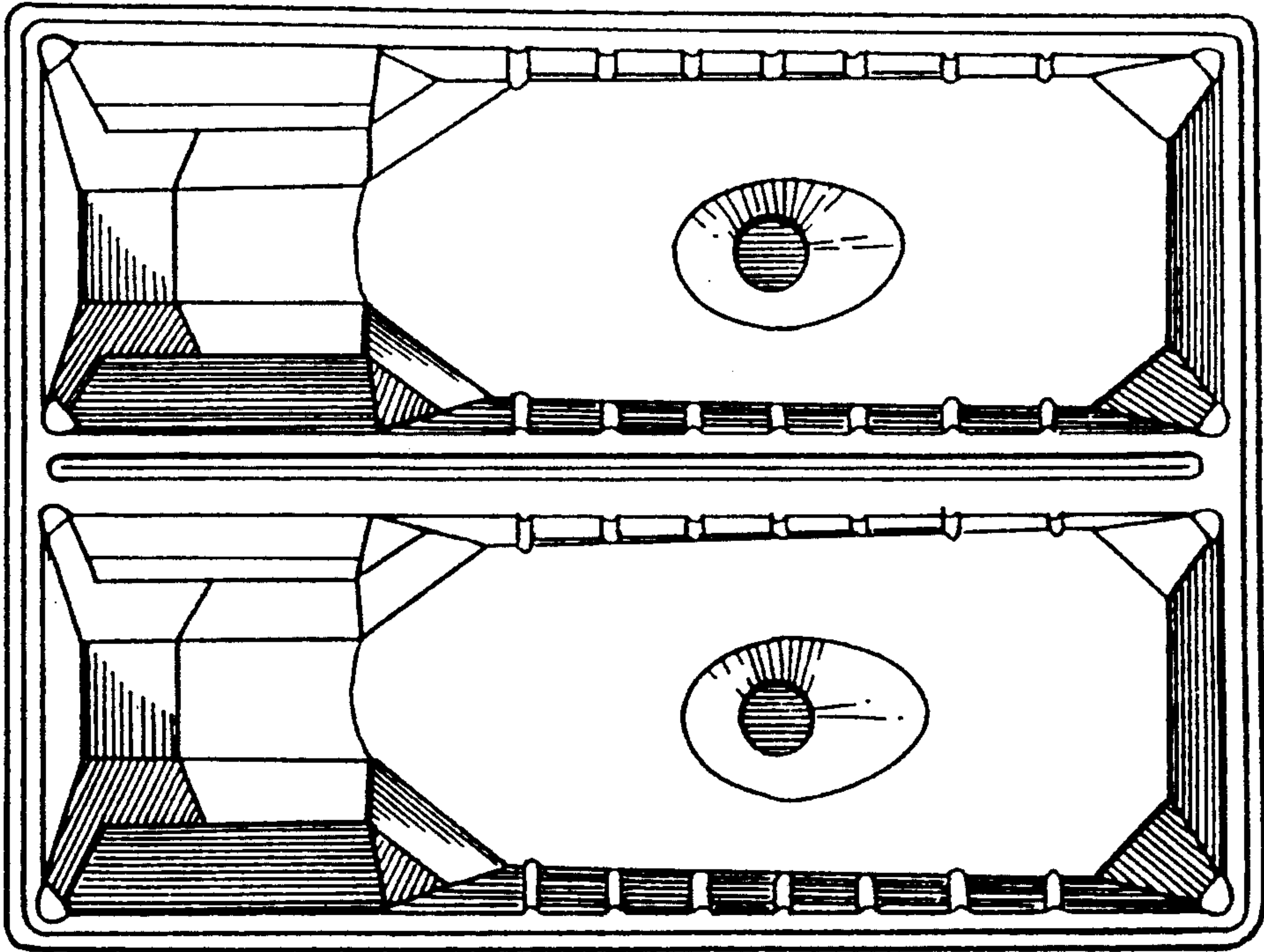


FIG. 9

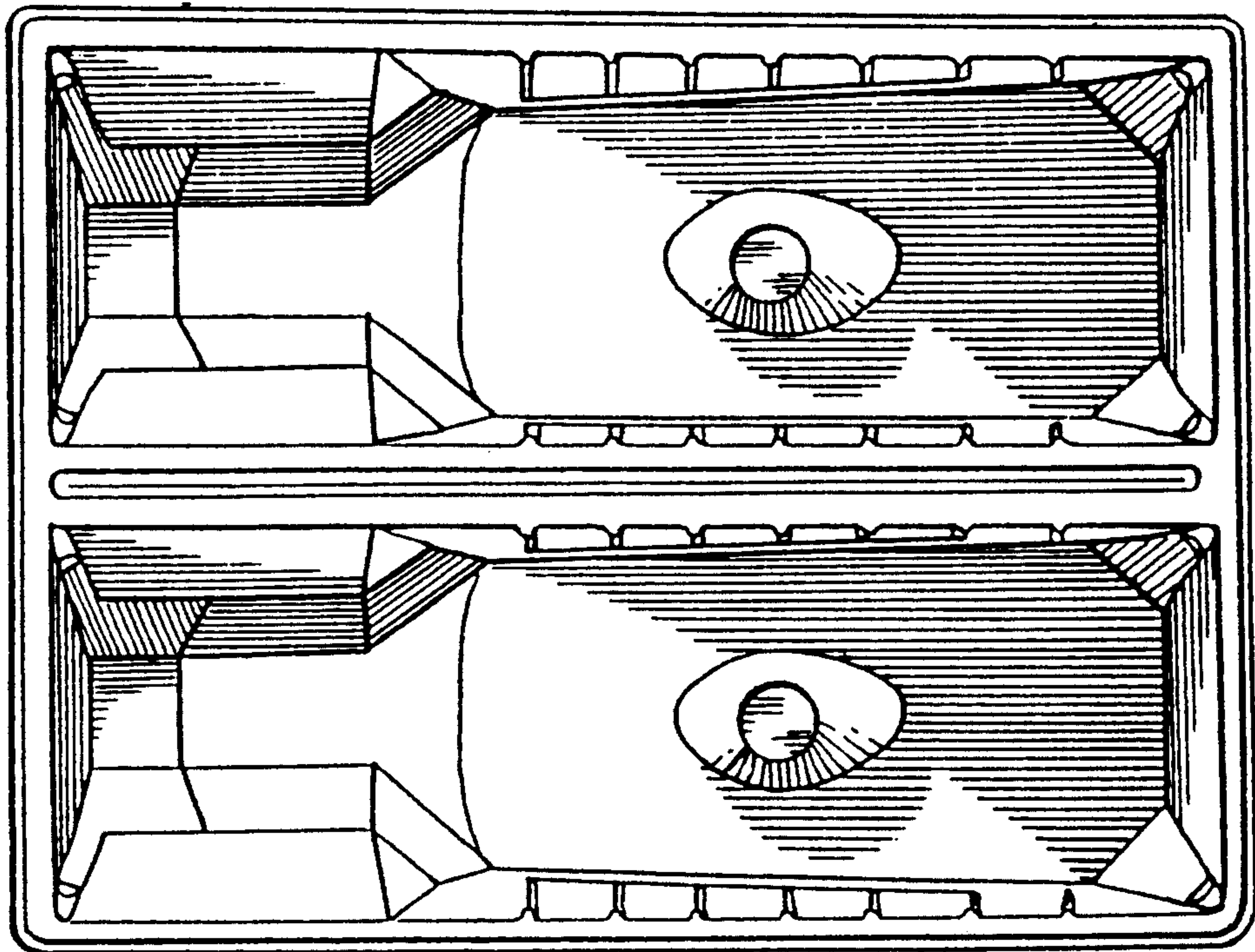


FIG. 10

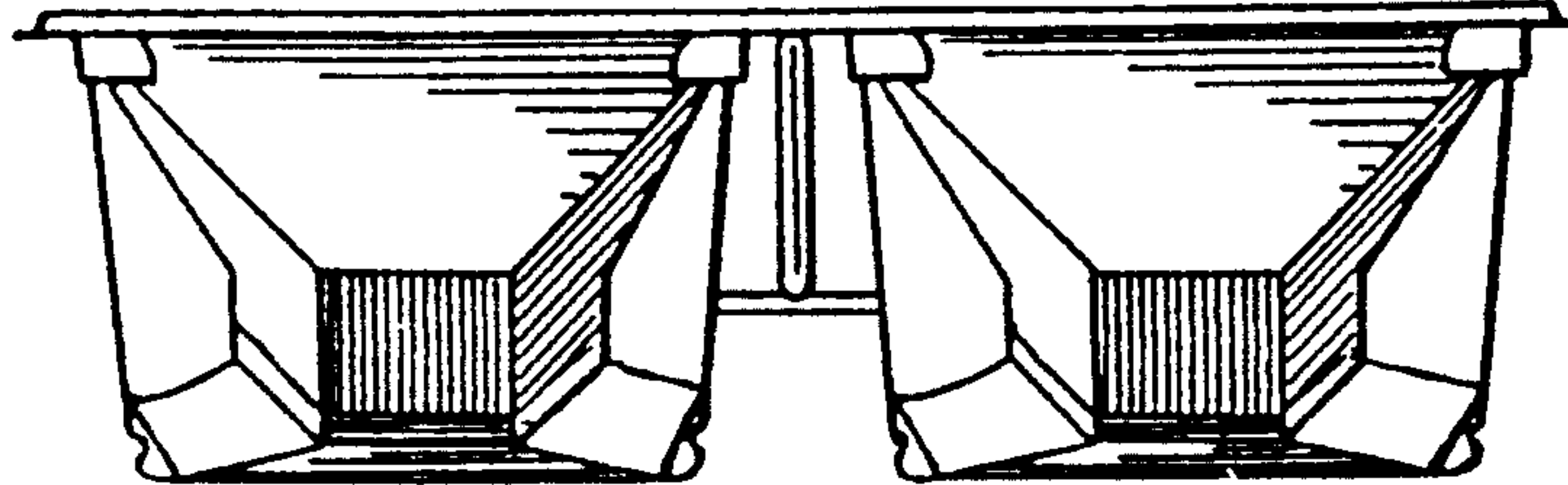


FIG. 11

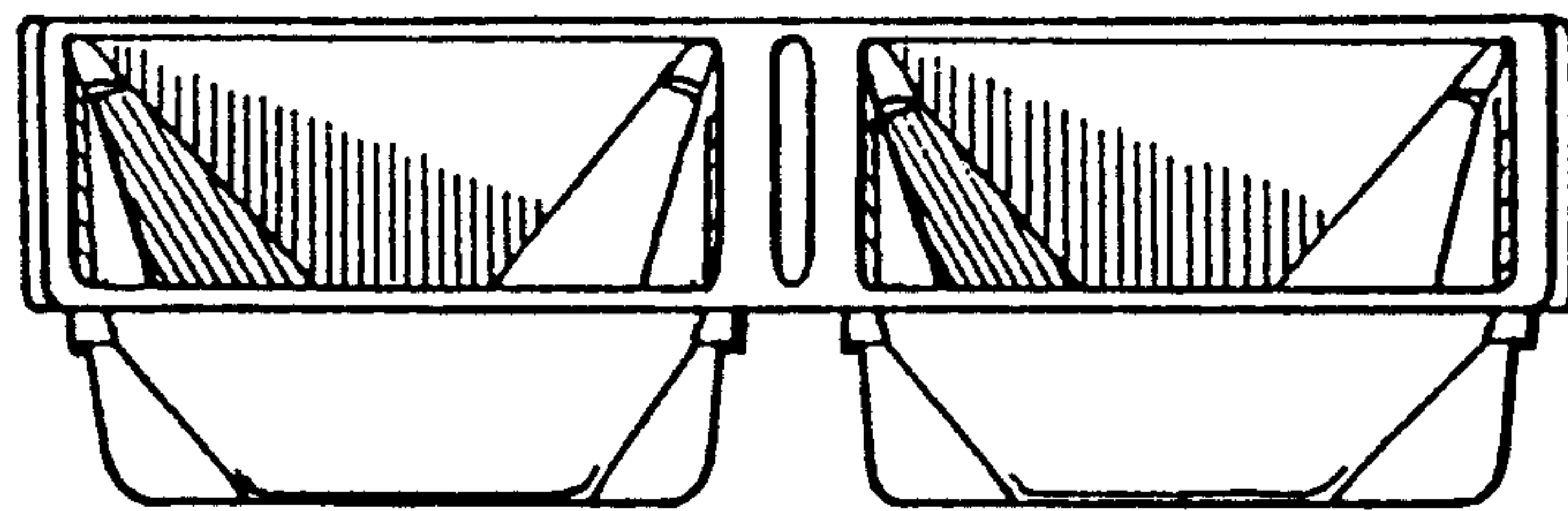


FIG. 12