



US00D345906S

United States Patent [19]

[11] Patent Number: **Des. 345,906**

Schmidt et al.

[45] Date of Patent: **** Apr. 12, 1994**

[54] **MOUNTING BRACKET**

[76] Inventors: **William P. Schmidt**, 21000 Woodruff, Rockwood, Mich. 48173;
Hutchinson, Frank D., 28000 Beel Rd., New Boston, Mich. 48164

[**] Term: **14 Years**

[21] Appl. No.: **6,421**

[22] Filed: **Mar. 4, 1993**

D. 243,581	3/1977	Goss, Jr. et al.	D8/400 X
D. 248,910	8/1978	DeFilippo	D8/373
D. 275,178	8/1984	Yeater	D8/380
D. 288,282	2/1987	Sheets	D8/373
D. 327,001	6/1992	Oosterhuis	D8/373
3,433,448	3/1969	Weber	248/476
3,989,359	11/1976	Shutt	359/872

Primary Examiner—Wallace R. Burke
Assistant Examiner—Holly H. Baynham
Attorney, Agent, or Firm—Weintraub, DuRoss & Brady

Related U.S. Application Data

[60] Division of Ser. No. 667,093, Mar. 11, 1991, Pat. No. Des. 338,826, which is a continuation-in-part of Ser. No. 361,334, Jun. 5, 1989, Pat. No. 5,005,963, which is a continuation-in-part of Ser. No. 254,027, Oct. 6, 1988, Pat. No. 4,938,578.

[52] U.S. Cl. **D8/373**

[58] Field of Search **D8/373, 349, 354, 380, D8/400, 363; 248/476**

References Cited

U.S. PATENT DOCUMENTS

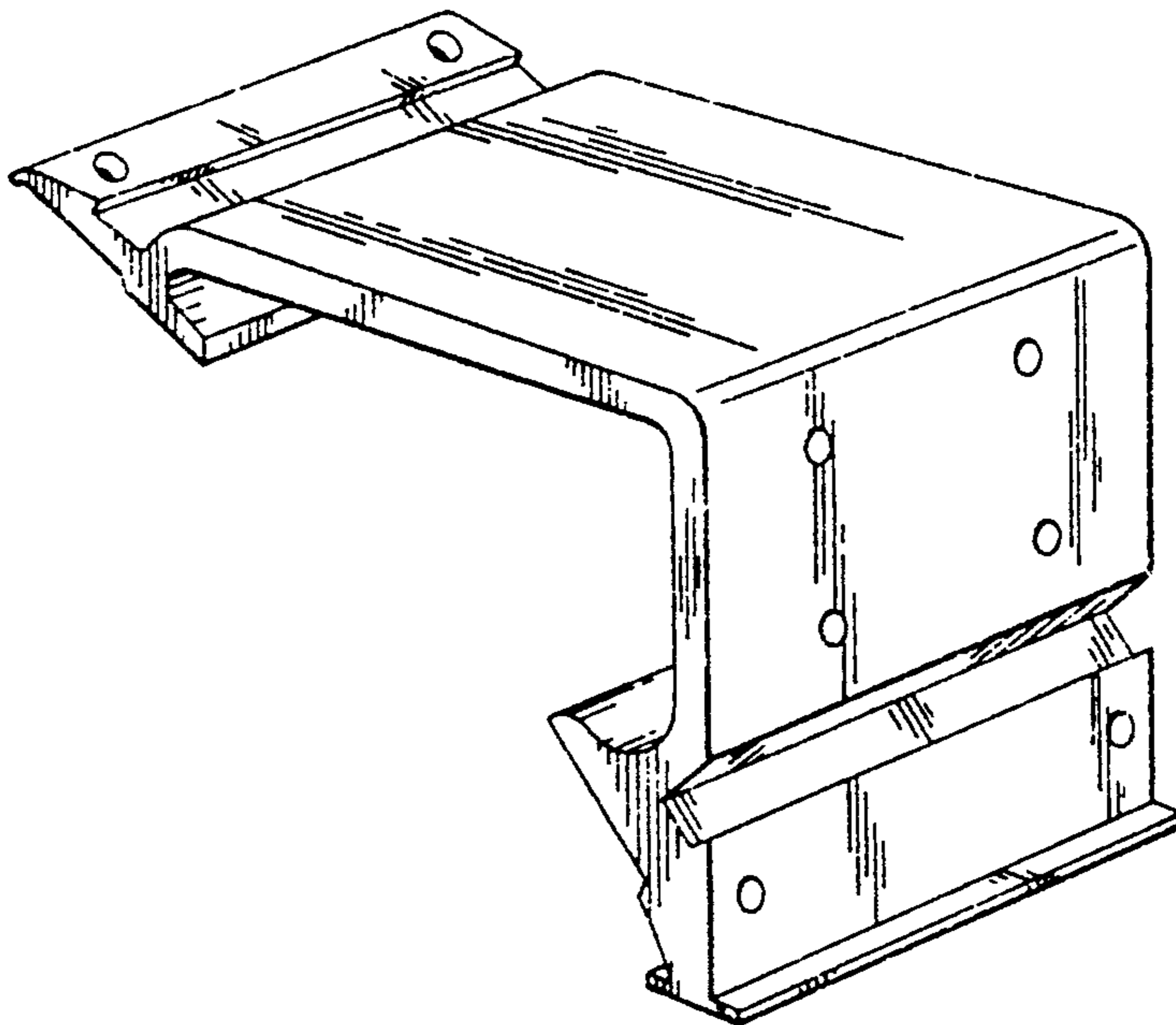
D. 227,858 7/1973 Goldman D8/373

[57] **CLAIM**

The ornamental design for a mounting bracket, as shown and described.

DESCRIPTION

FIG. 1 is a perspective view of a mounting bracket showing our new design;
FIG. 2 is a bottom plan view thereof;
FIG. 3 is a rear elevational view thereof;
FIG. 4 is a top plan view thereof; and,
FIG. 5 is a left side elevational view thereof with the opposite view being a mirror image.
The broken line showing of structure is for illustrative purposes only and forms no part of the claimed design.



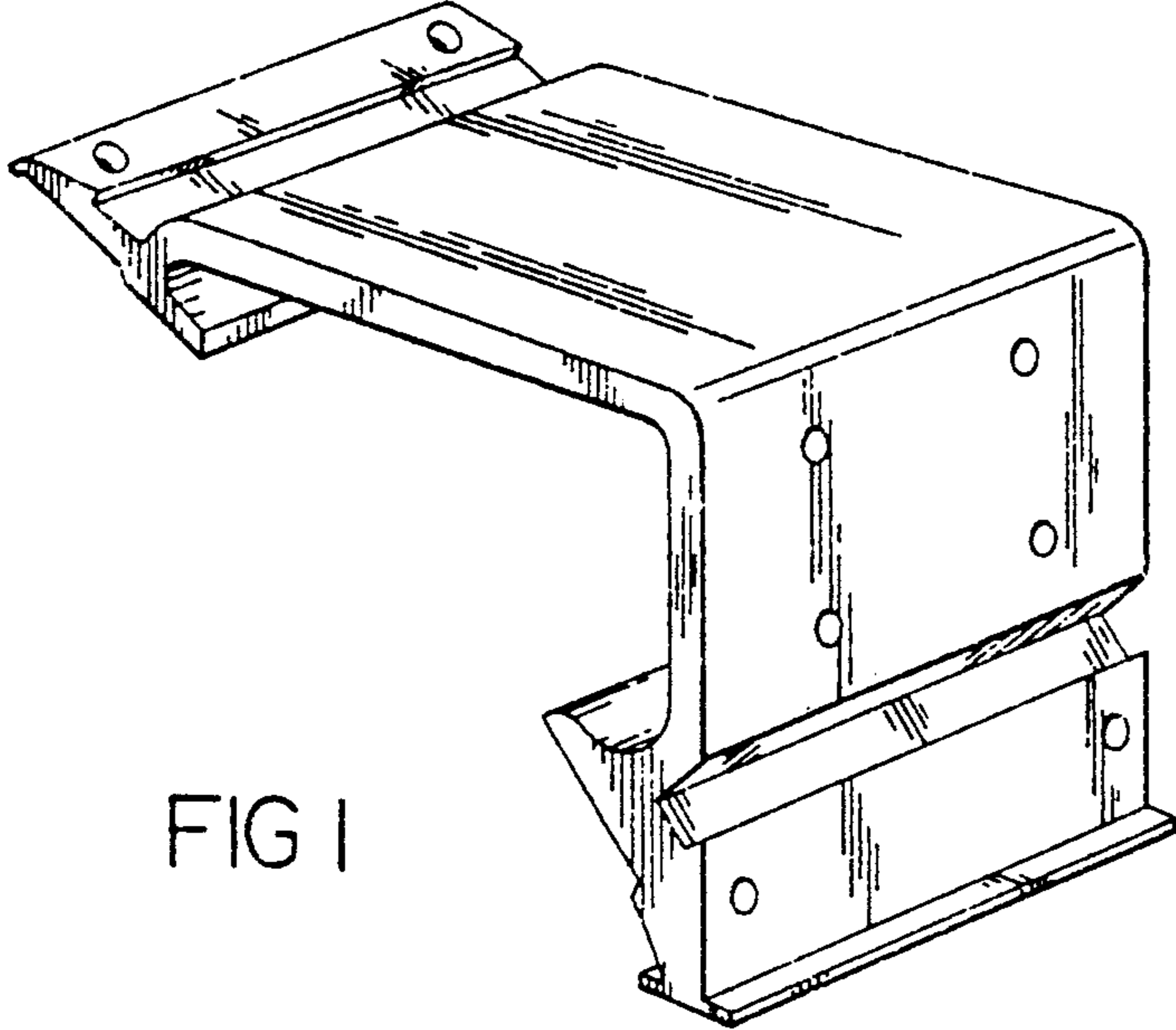


FIG 1

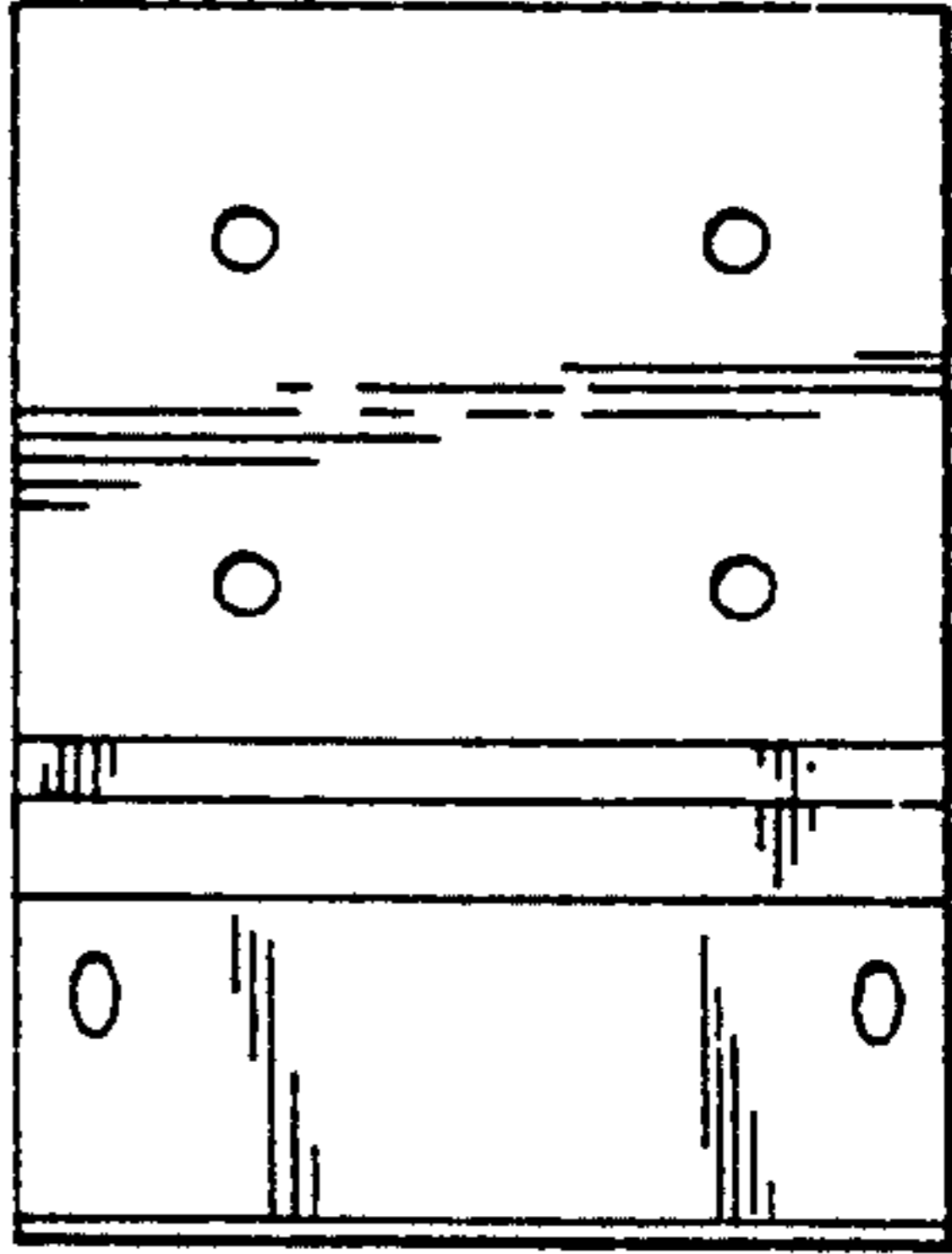


FIG 3

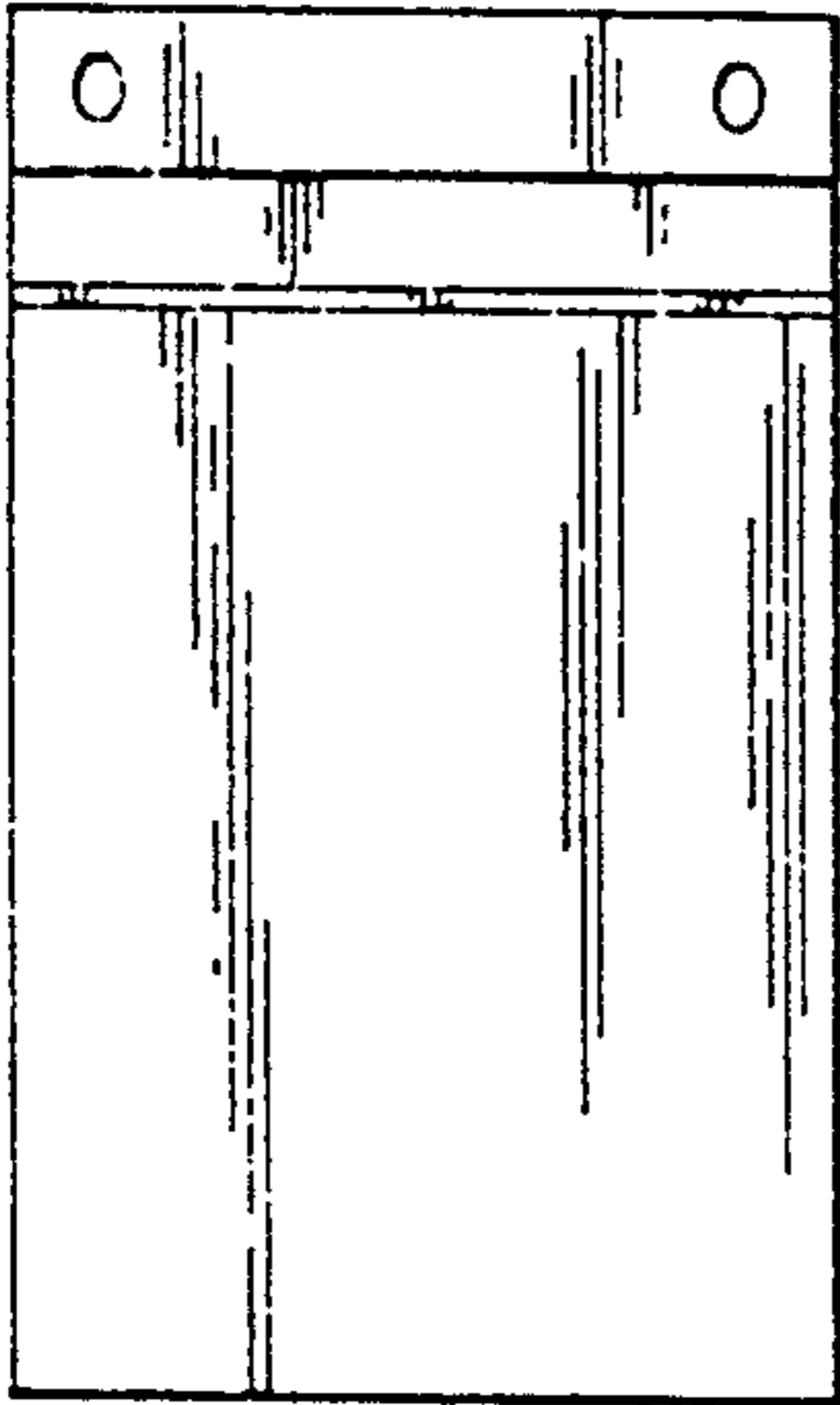


FIG 4

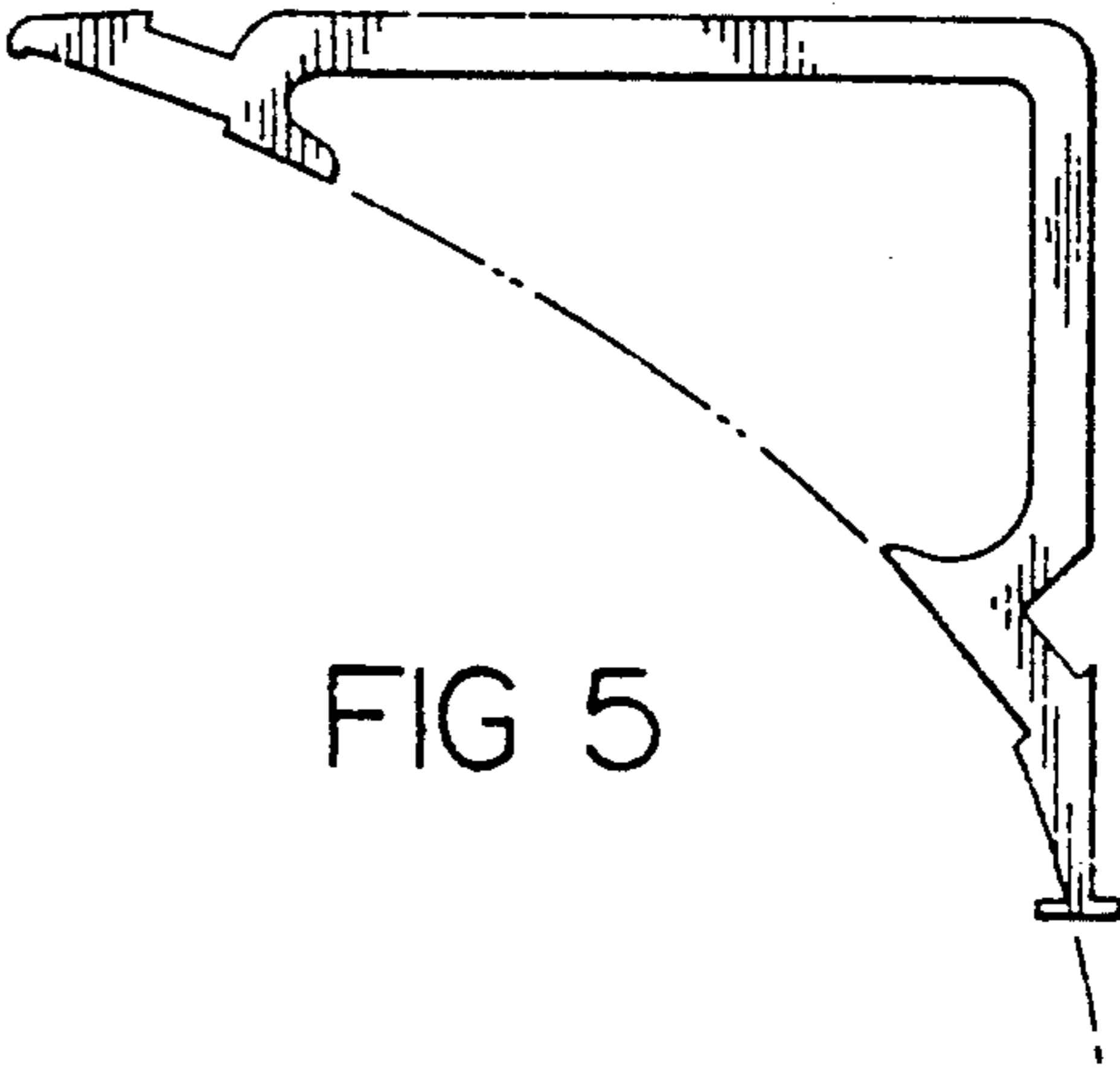


FIG 5

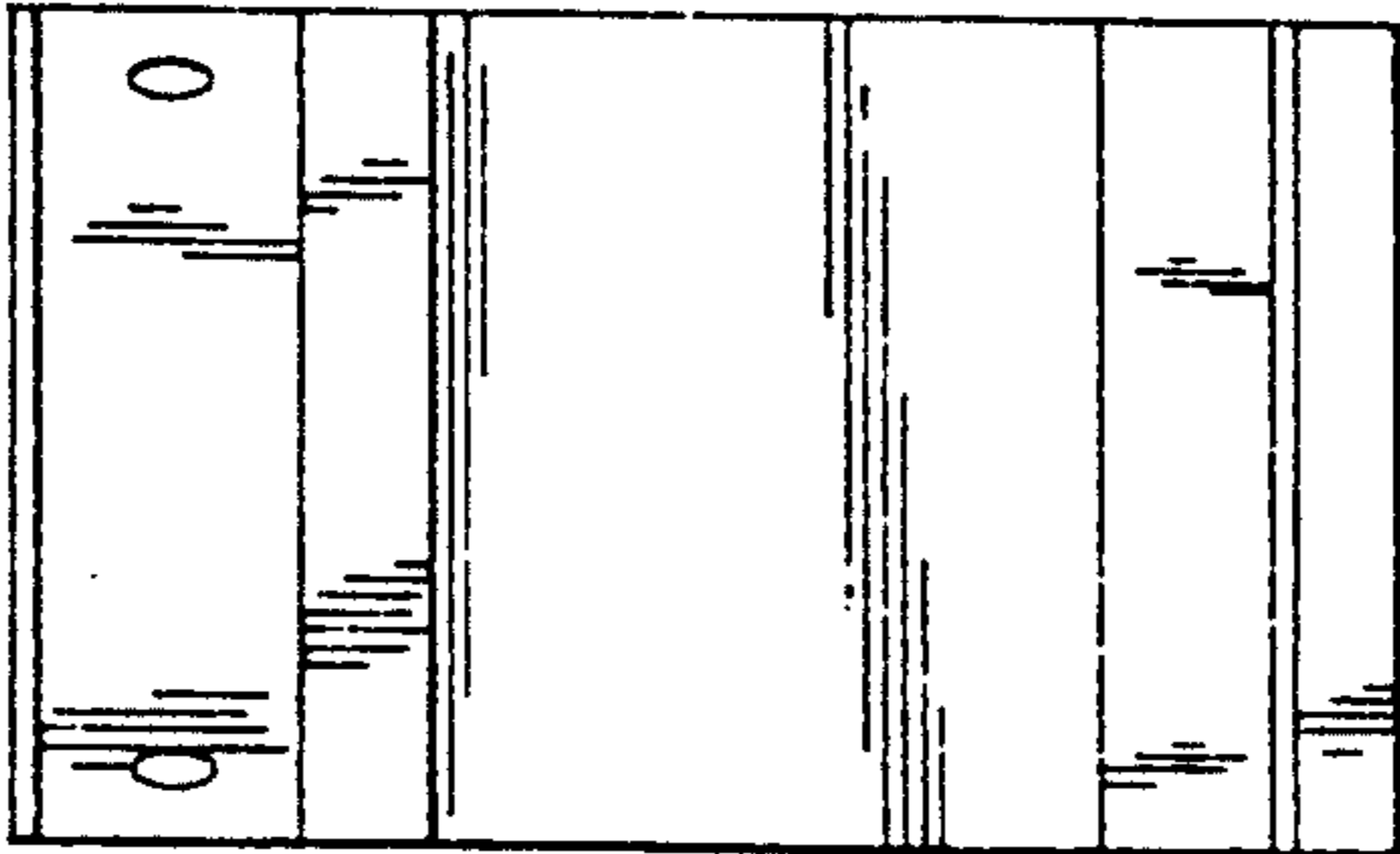


FIG 2