



US00D345905S

United States Patent [19]

[11] Patent Number: **Des. 345,905**

Hallgren

[45] Date of Patent: **** Apr. 12, 1994**

[54] **ADJUSTABLE MOUNTING SYSTEM FOR HOLDING AN OBJECT IN A DESIRED POSITION**

[75] Inventor: **Leander Hallgren, St. Paul, Minn.**

[73] Assignee: **AbleNet, Inc., Minneapolis, Minn.**

[**] Term: **14 Years**

[21] Appl. No.: **817,845**

[22] Filed: **Jan. 8, 1992**

[52] U.S. Cl. **D8/355**

[58] Field of Search **D8/363, 373, 355; D6/429; 248/271, 278-279**

[56] **References Cited**

U.S. PATENT DOCUMENTS

| | | | |
|-----------|---------|---------------------|-----------|
| 1,059,856 | 4/1913 | Fox . | |
| 1,275,311 | 8/1918 | Schumacher et al. . | |
| 1,714,003 | 5/1929 | Deach . | |
| 2,019,789 | 11/1935 | Manannah . | |
| 2,524,138 | 5/1946 | Raley . | |
| 3,170,665 | 2/1965 | Ryan . | |
| 3,215,467 | 11/1965 | McFarland et al. . | |
| 3,480,304 | 11/1969 | Mehr . | |
| 3,522,887 | 8/1970 | Petersen . | |
| 3,730,589 | 5/1973 | Lane . | |
| 3,759,569 | 9/1973 | Bennet . | |
| 3,870,362 | 3/1975 | Large . | |
| 4,158,428 | 6/1979 | Bates . | |
| 4,458,870 | 7/1984 | Duncan et al. . | |
| 4,735,388 | 4/1988 | Marks | 248/278 X |

OTHER PUBLICATIONS

Don Johnston Development Equipment, Inc. Communication & Computer Access Catalog (1992), "Universal Switch Mounting System," p. 16.
Comput Ability Products for the 90's, "Mounting System Kit," p. 3.
Tash Inc. Catalogue (1991-1992), p. 8.
Toys for Special Children, vol. 2, No. 4, p. 19.

Primary Examiner—Wallace R. Burke
Assistant Examiner—H. Baynham
Attorney, Agent, or Firm—Merchant, Gould, Smith, Edell, Welter & Schmidt

[57] **CLAIM**

The ornamental design for an adjustable mounting system for holding an object in a desired position, as shown.

DESCRIPTION

FIG. 1 is a top, front, and left side perspective view of adjustable mounting system for holding an object in a desired position showing our new design; FIG. 2 is a front elevational view thereof; FIG. 3 is a rear elevational view thereof; FIG. 4 is a right side elevational view thereof; FIG. 5 is a left side elevational view thereof; FIG. 6 is a top plan view thereof; and, FIG. 7 is a bottom plan view thereof. The broken line showing of mounting hardware is for illustrative purposes only and forms no part of the claimed design.

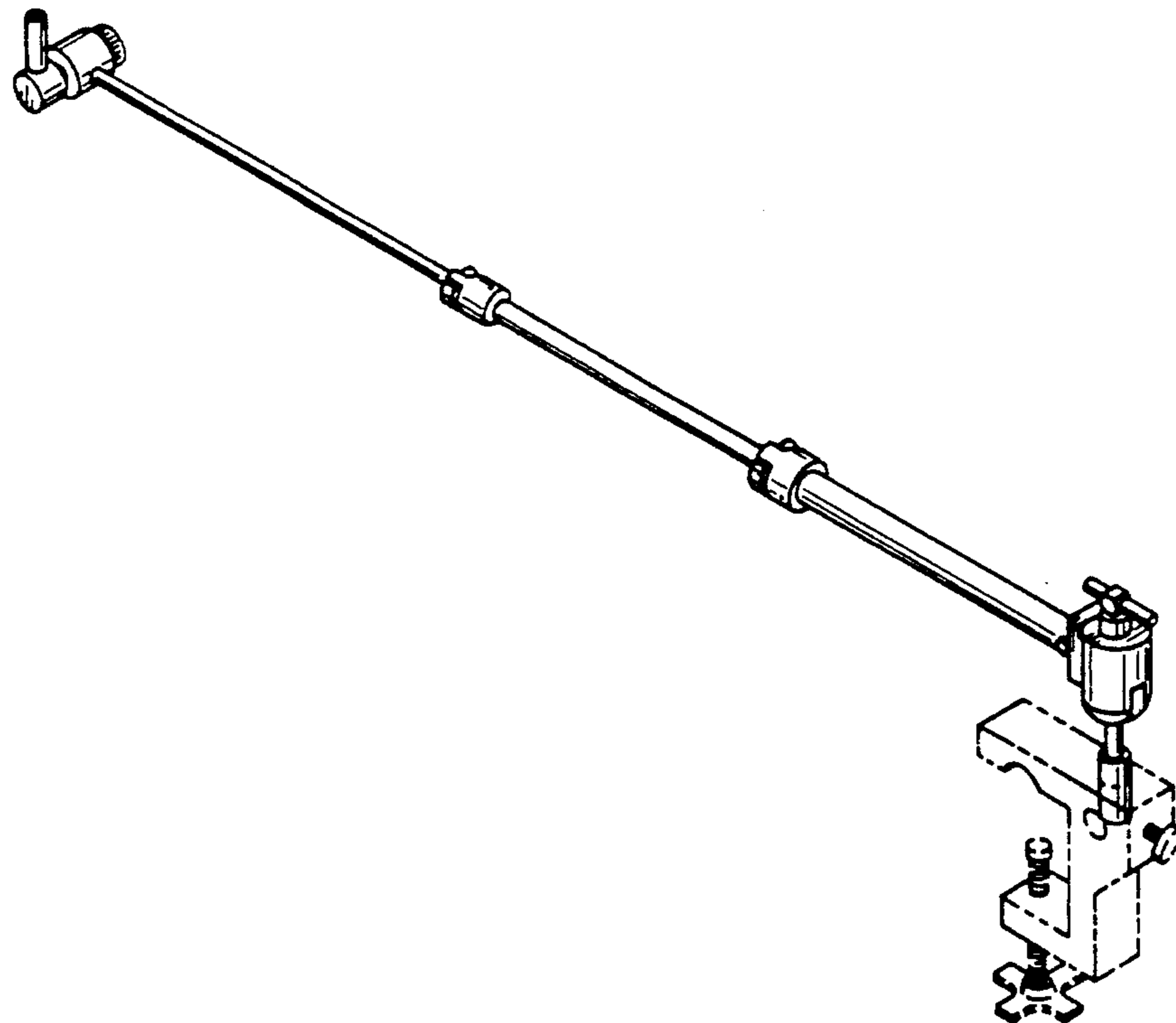


FIG. 1

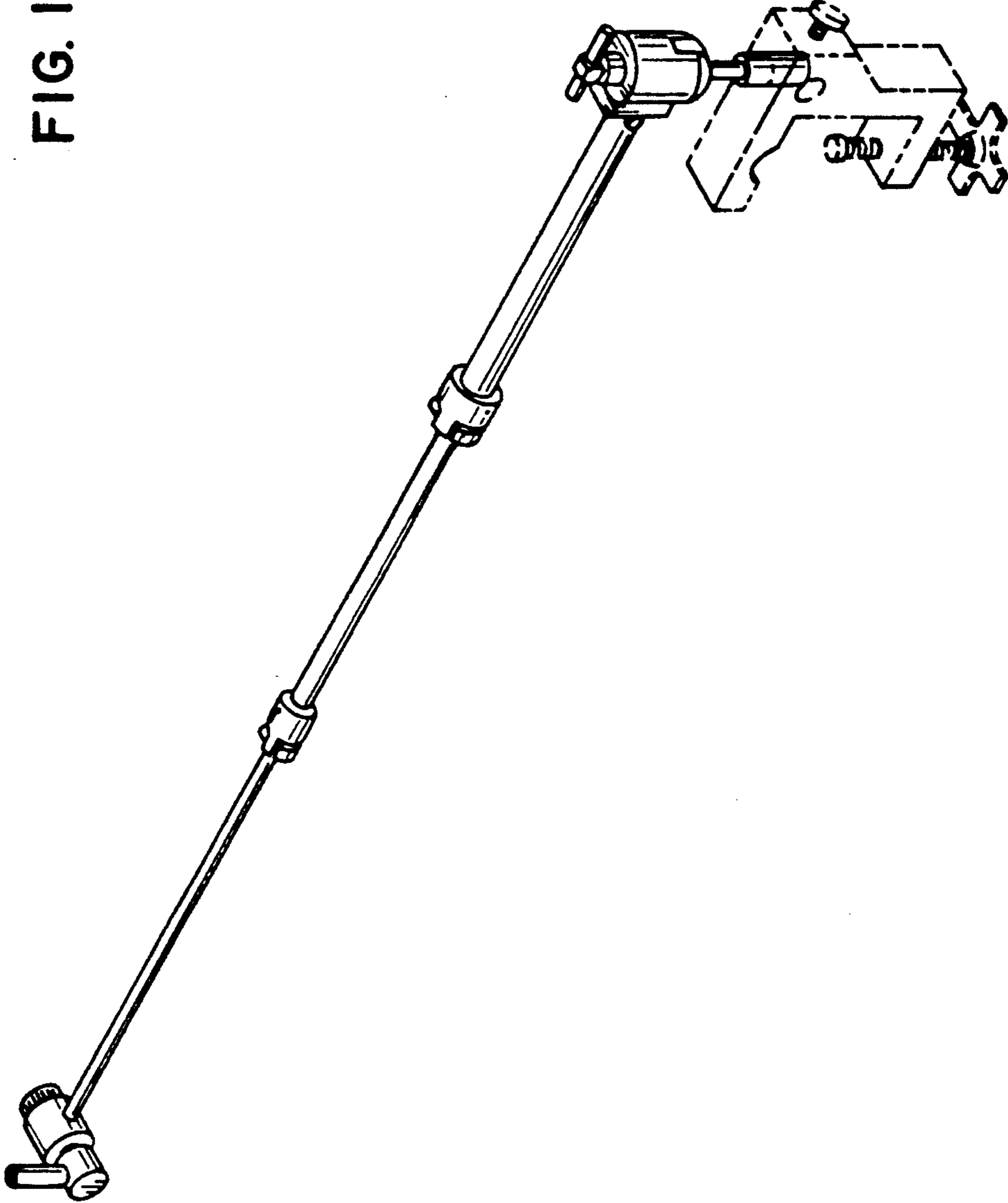


FIG. 2

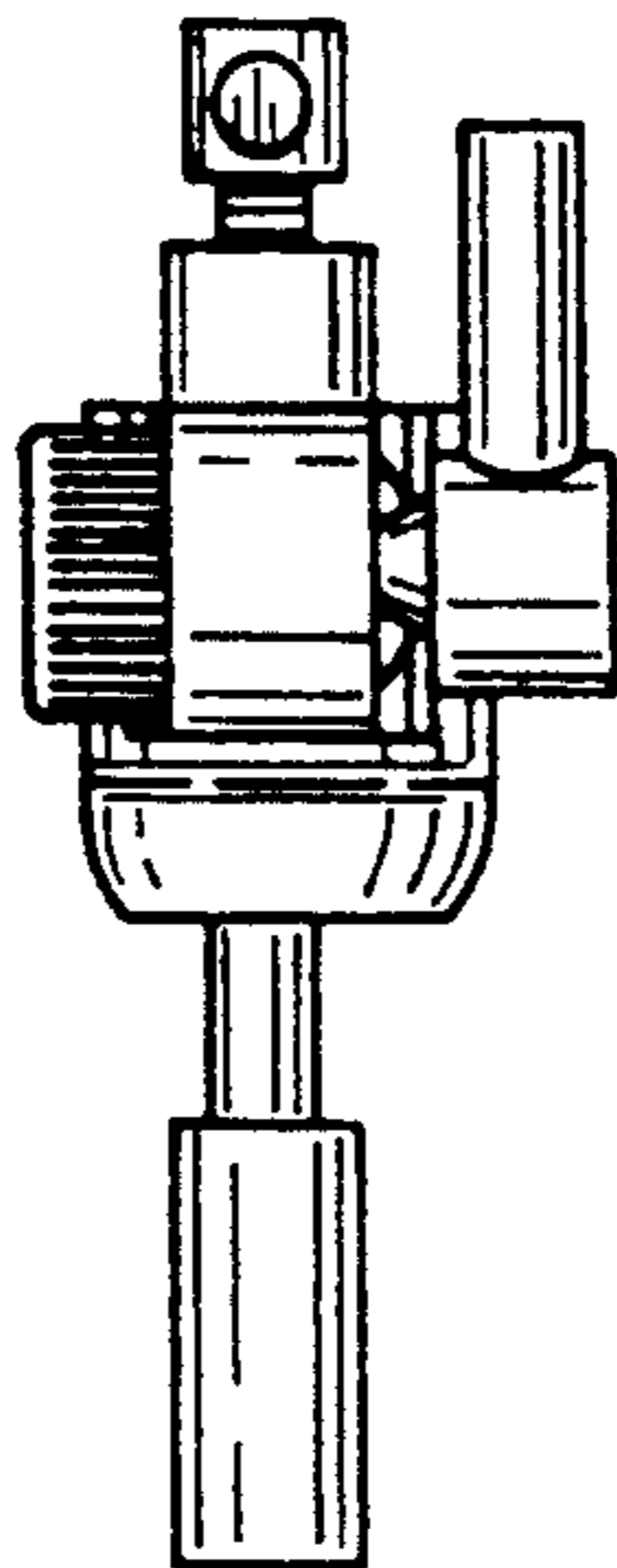


FIG. 3

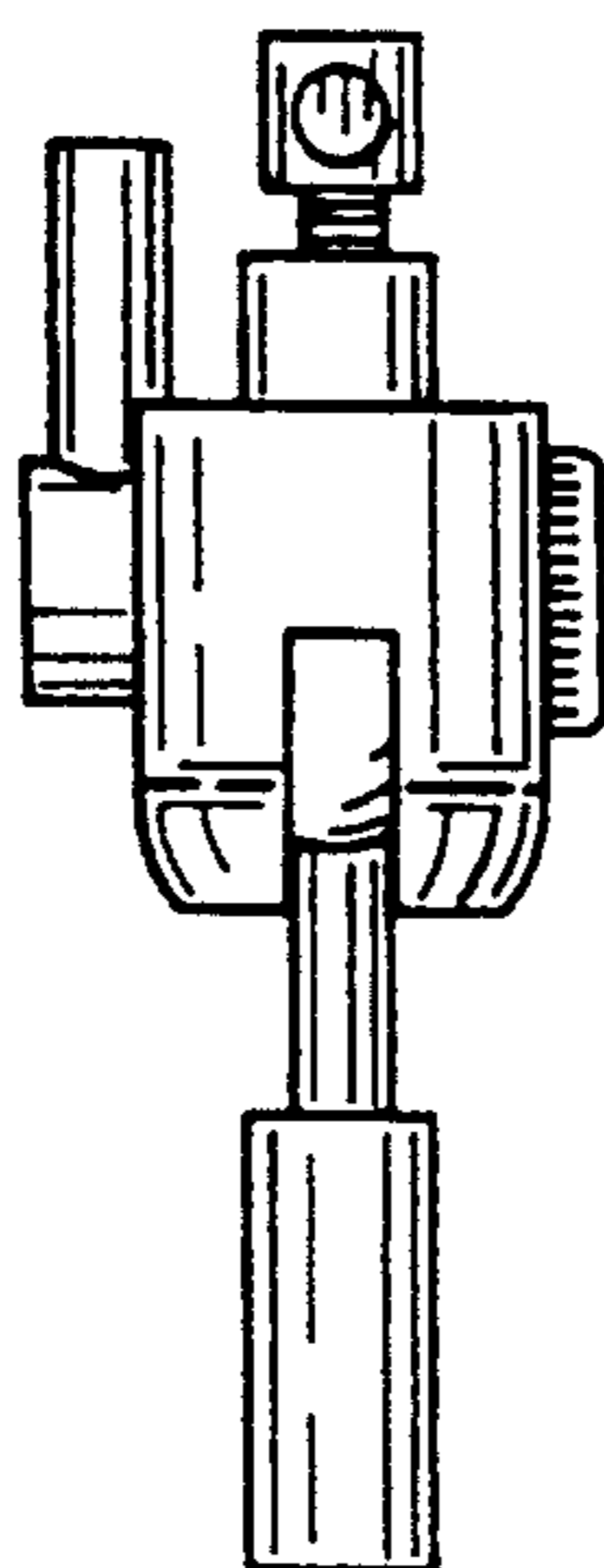


FIG. 4

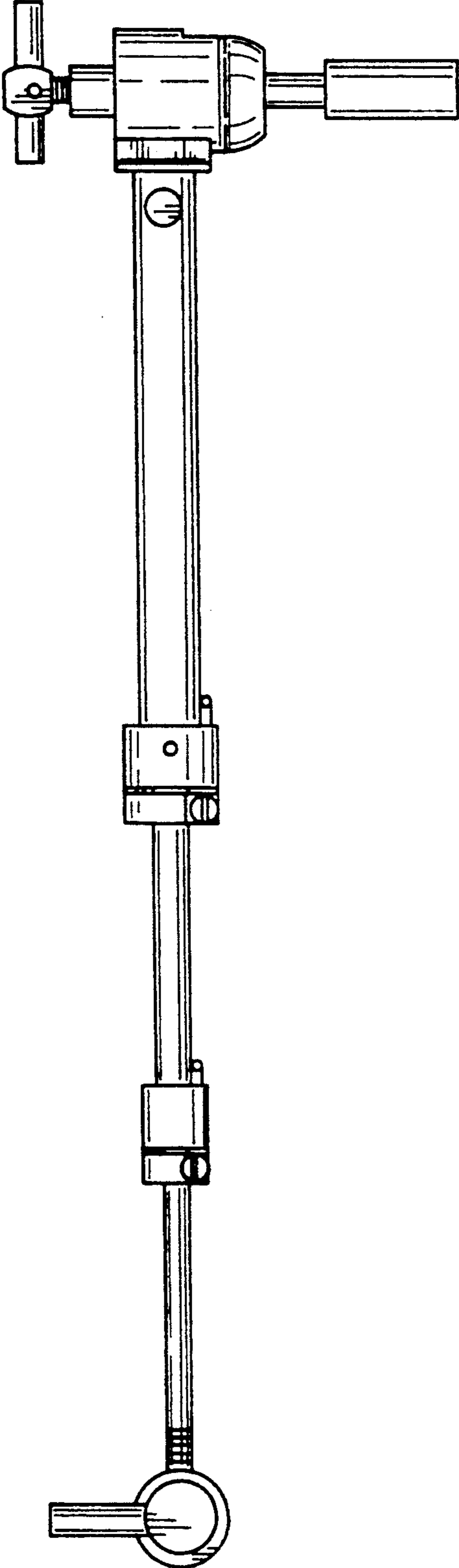


FIG. 5

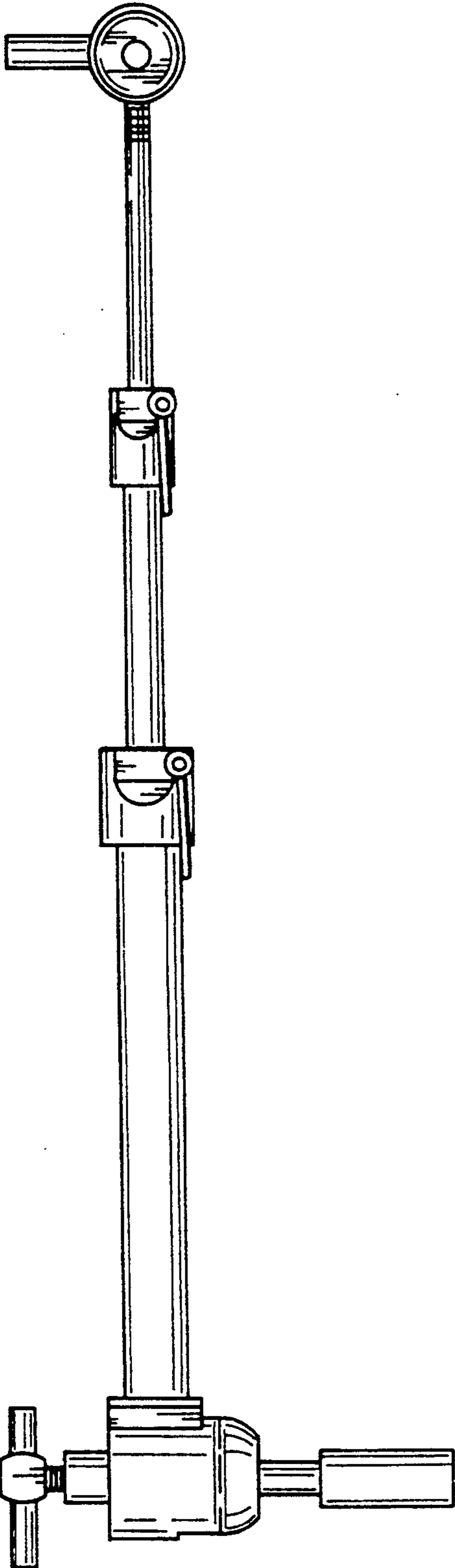


FIG. 6

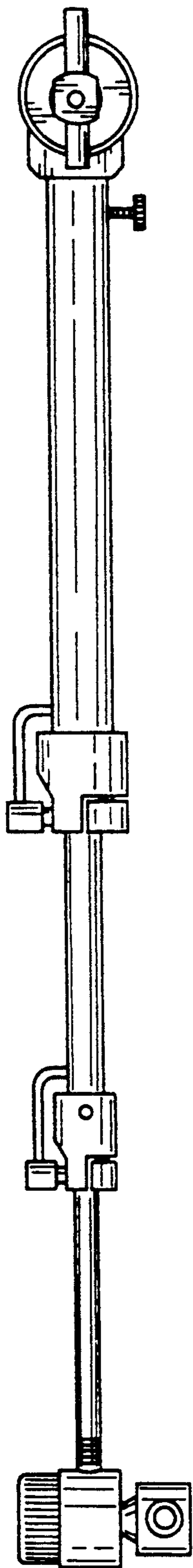


FIG. 7

