



US00D345904S

United States Patent [19]

[11] Patent Number: Des. 345,904

Sauber

[45] Date of Patent: ** Apr. 12, 1994

[54] SUPPORT BRACKET FOR SPOOLED WIRE FEEDING

D. 316,664 5/1991 Tull D12/317 X

[76] Inventor: Charles J. Sauber, 10 N. Sauber Rd., Virgil, Ill. 60182

Primary Examiner—Susan J. Lucas

Assistant Examiner—H. Baynham

Attorney, Agent, or Firm—Leydig, Voit & Mayer, Ltd.

[**] Term: 14 Years

[57] CLAIM

[21] Appl. No.: 875,704

The ornamental design for a support bracket for spooled wire feeding, as shown and described.

[22] Filed: Apr. 29, 1992

[52] U.S. Cl. D8/354

DESCRIPTION

[58] Field of Search D8/354, 358; 248/101, 248/224.1

FIG. 1 is a front elevational view of a support bracket for spooled wire feeding showing my new design;

FIG. 2 is an end view thereof with the opposite side being a mirror image thereof;

FIG. 3 is a rear elevational view thereof;

FIG. 4 is a top plan view thereof;

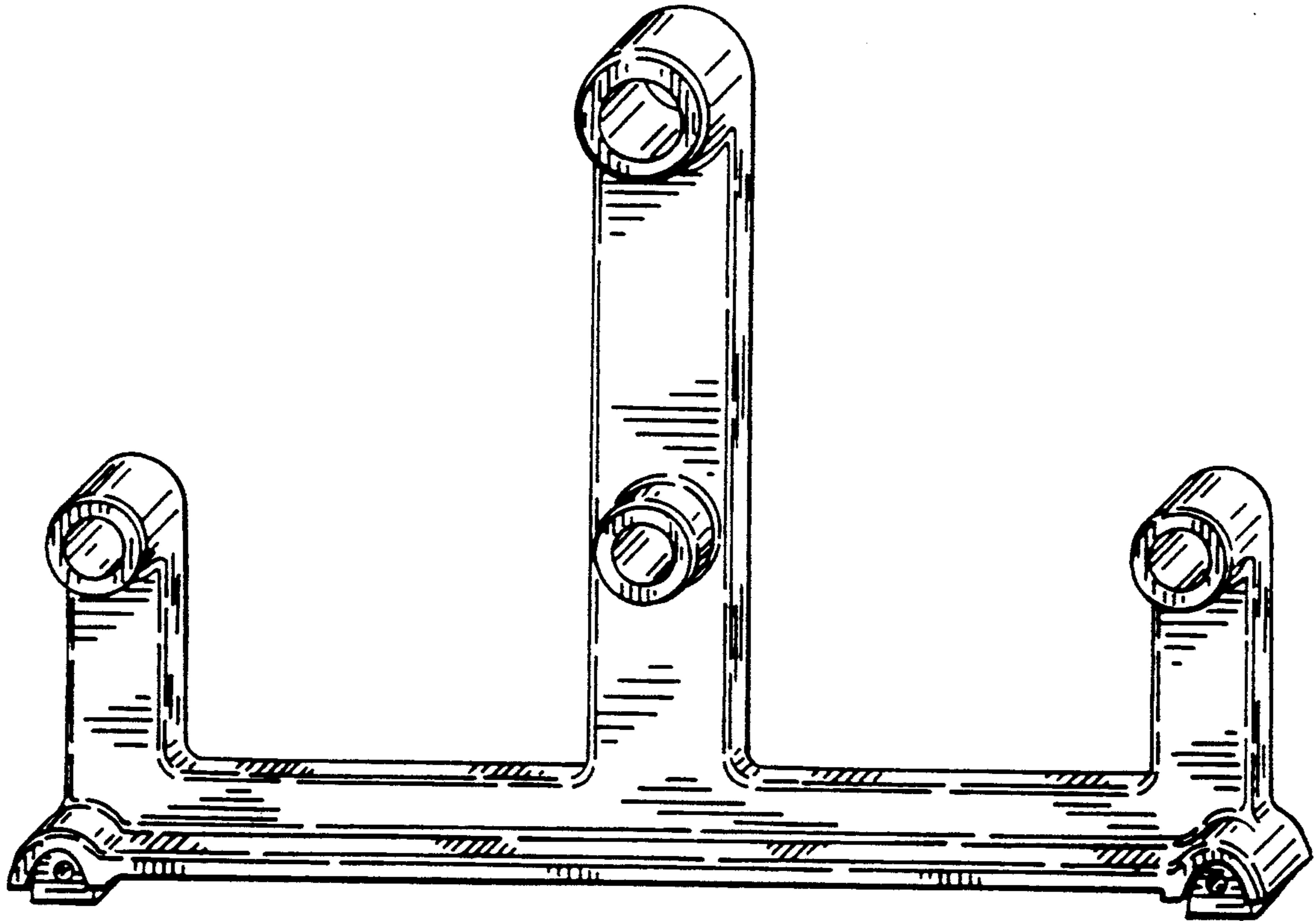
FIG. 5 is a bottom plan view thereof; and,

FIG. 6 is a frontal perspective view thereof.

[56] References Cited

U.S. PATENT DOCUMENTS

- D. 28,272 2/1898 Scherrer D8/358 X
- D. 32,337 3/1900 Cliff D8/380 X
- D. 262,688 1/1982 Nilsson D8/354 X



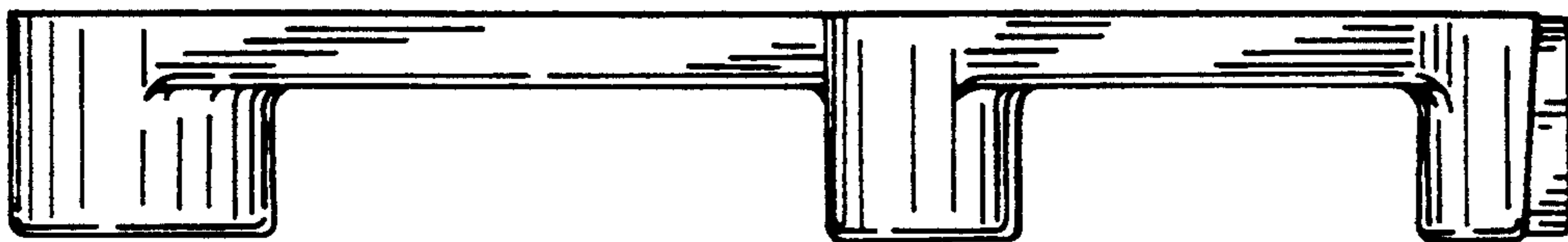


FIG. 2

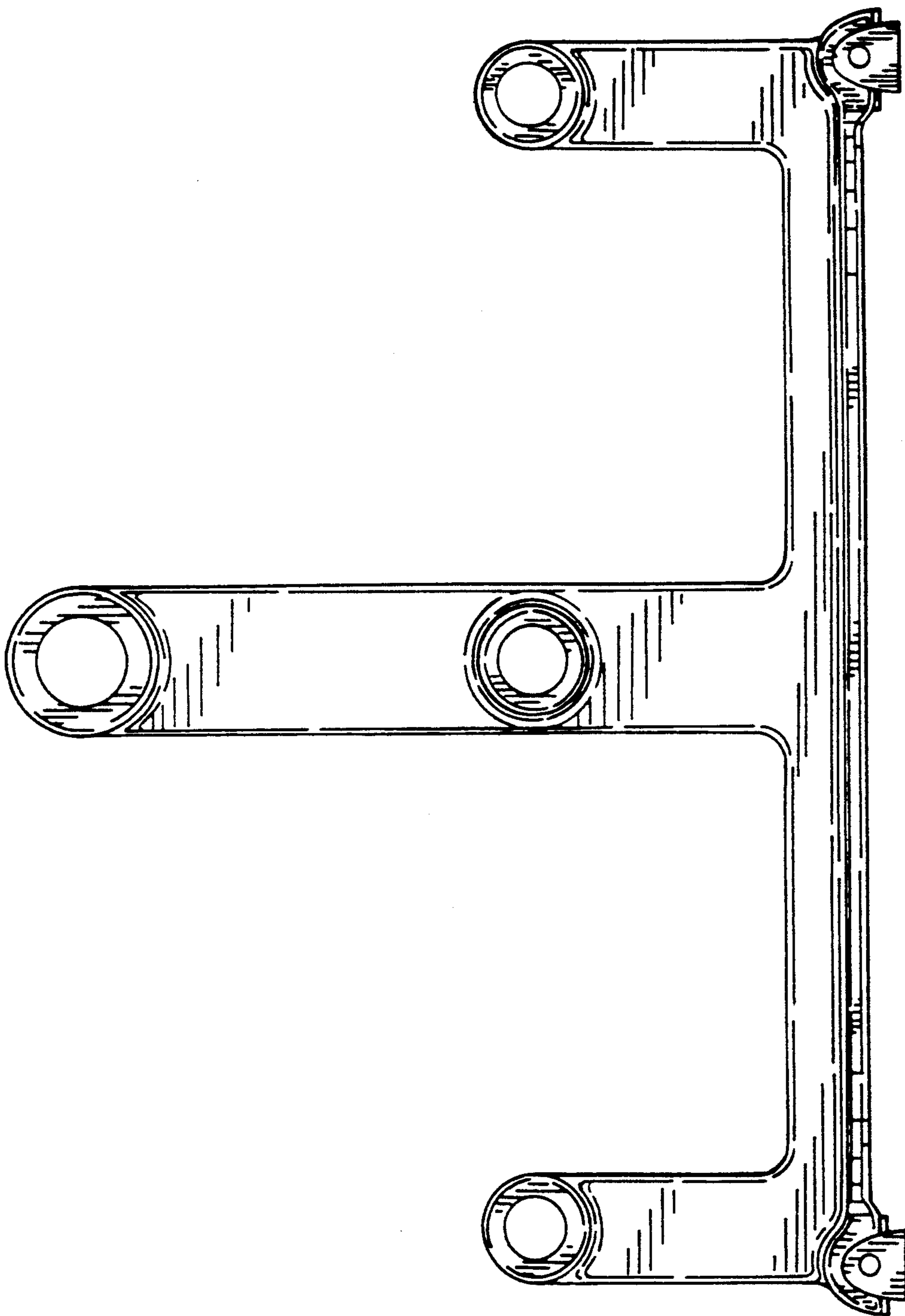


FIG. 1

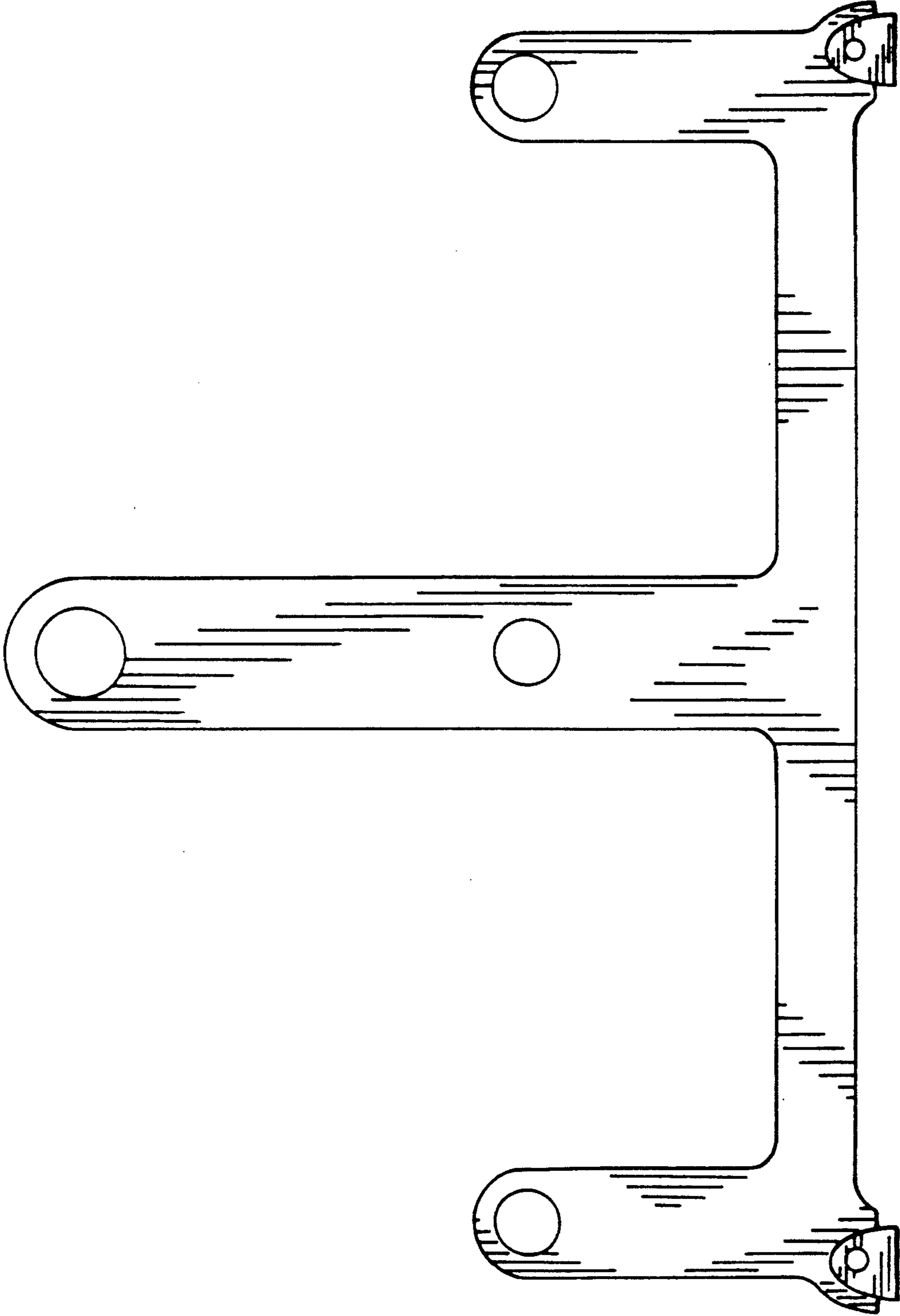


FIG. 3

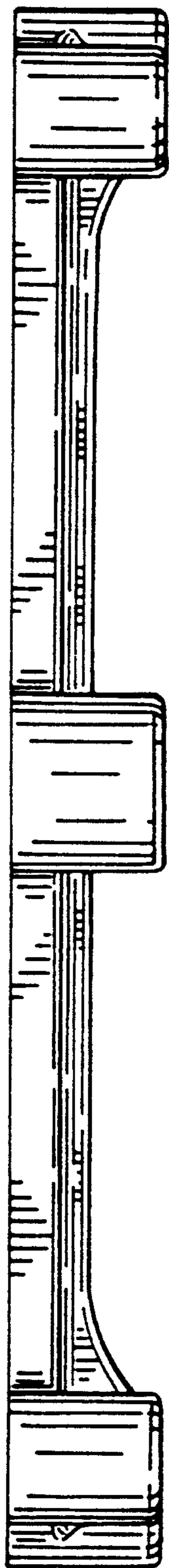


FIG. 4

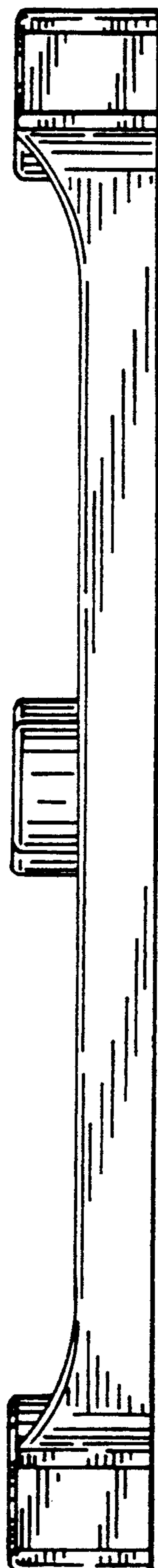


FIG. 5

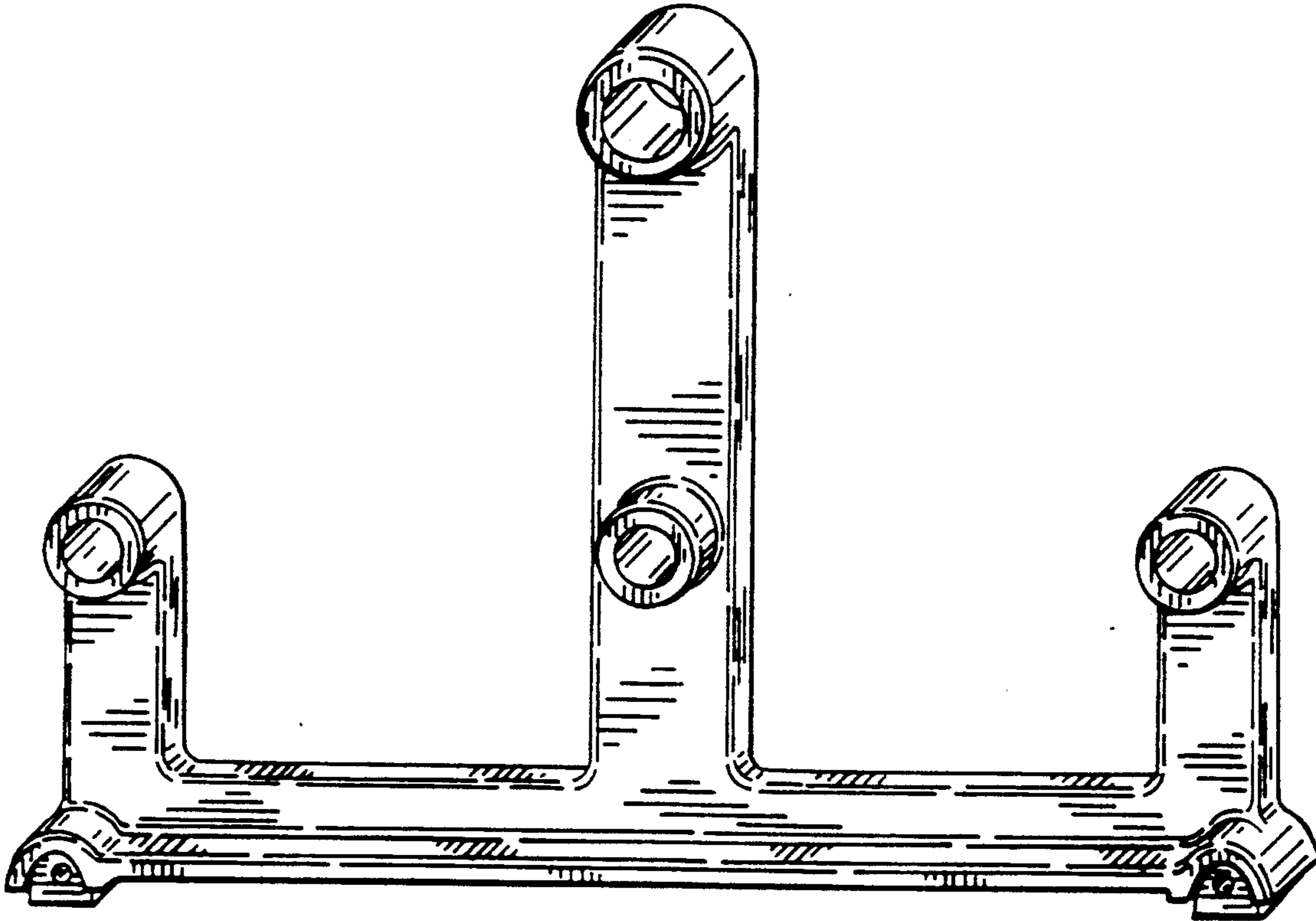


FIG. 6