



US00D345902S

# United States Patent [19]

[11] Patent Number: **Des. 345,902**

**Yung-Chang**

[45] Date of Patent: **\*\* Apr. 12, 1994**

[54] COMBINATION LOCK FOR A SUITCASE

D. 332,907	2/1993	Gisiger	.....	D8/331
4,343,162	8/1982	Giacometti	.....	70/67
4,385,509	5/1983	Milles	.....	70/312

[75] Inventor: **Yung-Chang Kuo, Chang-Hua, Taiwan**

*Primary Examiner*—Brian N. Vinson  
*Attorney, Agent, or Firm*—Browdy and Neimark

[73] Assignee: **Cedpo Metal Corporation, Chang Hua, Taiwan**

[57] **CLAIM**

[\*\*] Term: **14 Years**

The ornamental design for a combination lock for a suitcase, as shown and described.

[21] Appl. No.: **857,296**

**DESCRIPTION**

[22] Filed: **Mar. 24, 1992**

[52] U.S. Cl. .... **D8/330**

FIG. 1 is a top, front, and right side perspective view of a combination lock for a suitcase showing my new design;

[58] Field of Search .... **D8/330-338;**  
**70/57-58, 64, 66-72, 74-75, 286-288, 312, 330, 332, 326, 316, DIG. 26**

FIG. 2 is a front elevational view thereof;

FIG. 3 is a rear elevational view thereof;

FIG. 4 is a left side elevational view thereof;

FIG. 5 is a right side elevational view thereof;

FIG. 6 is a top plan view thereof;

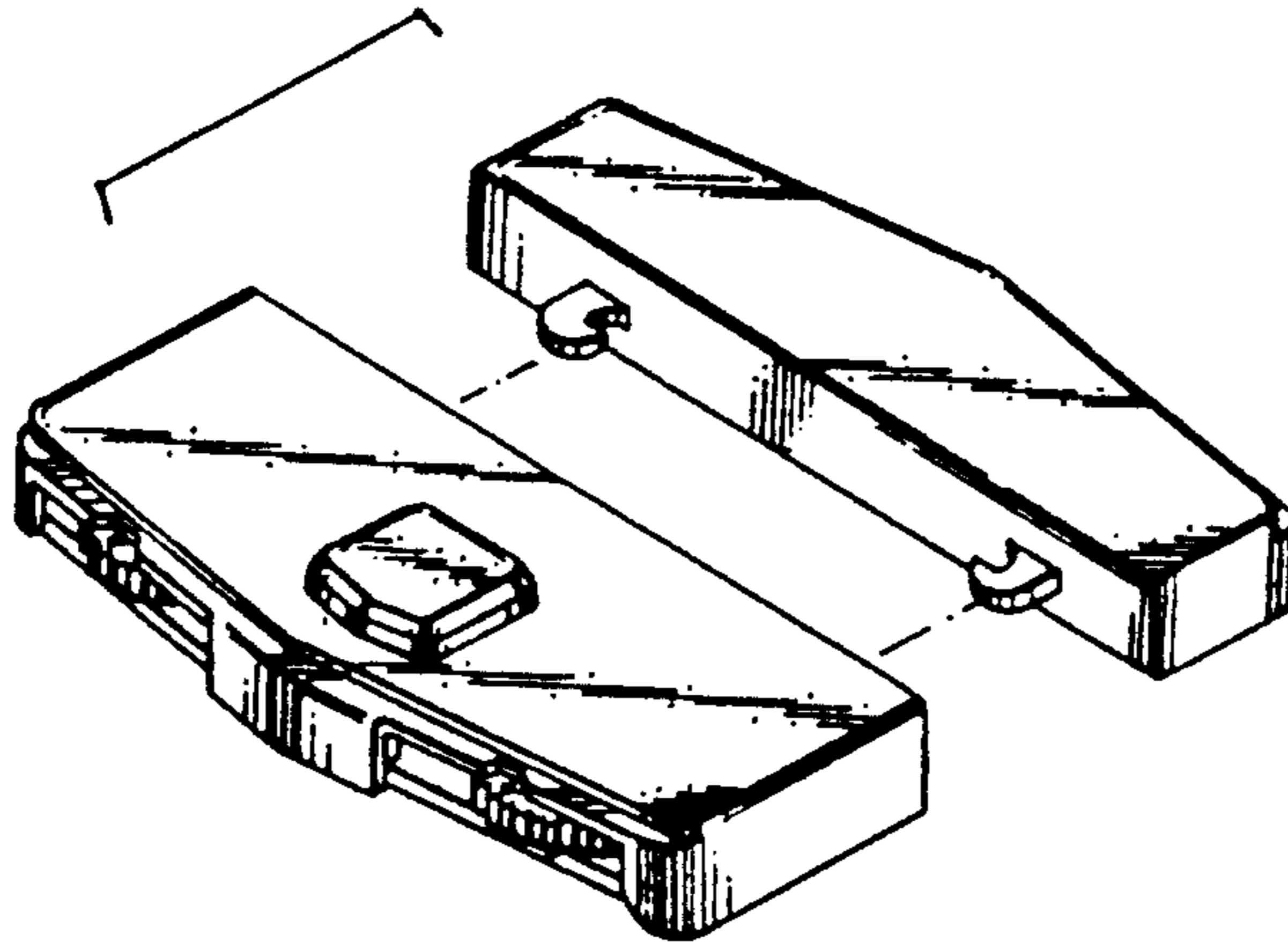
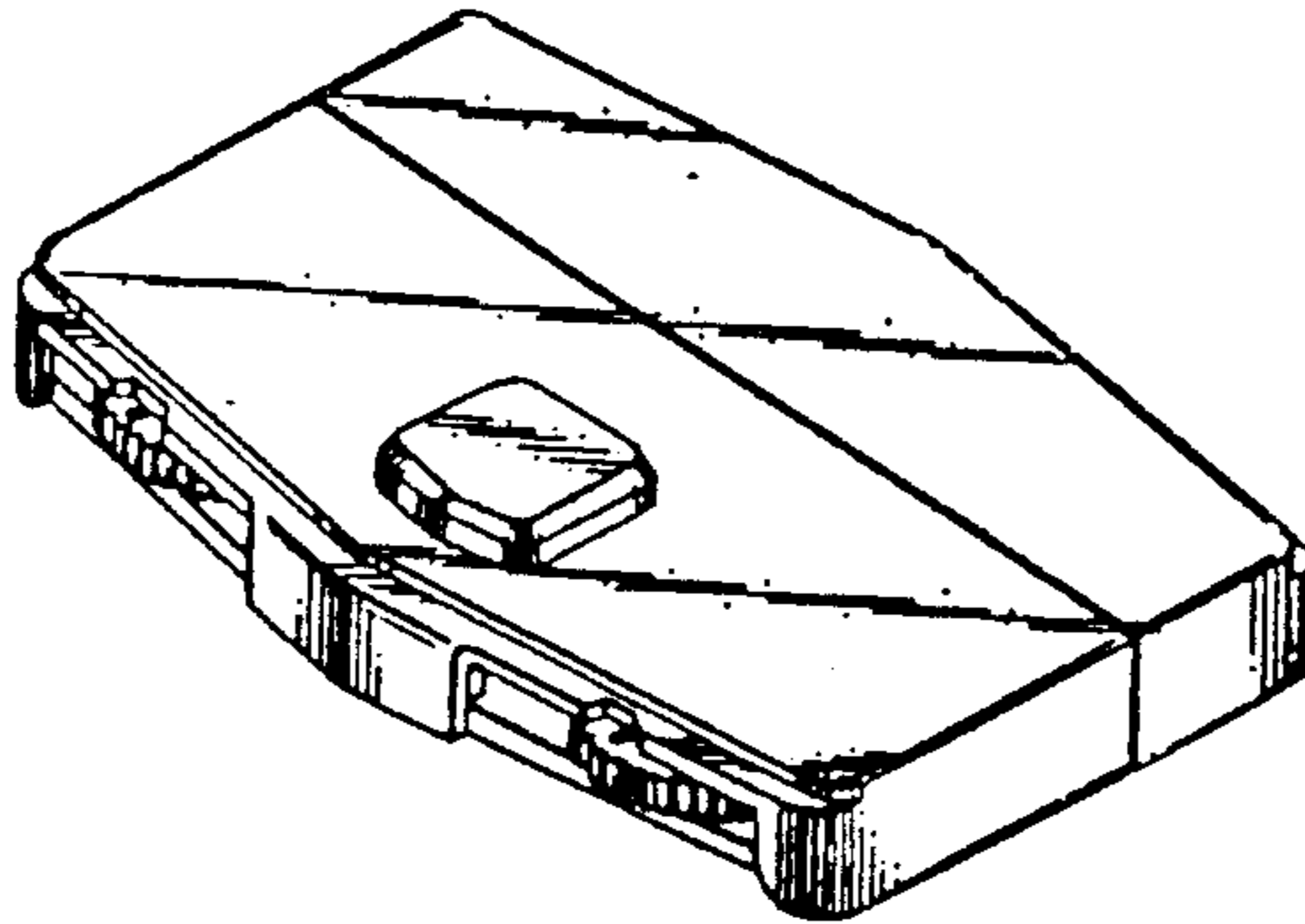
FIG. 7 is a bottom plan view thereof; and,

FIG. 8 is an exploded top, front, and right side perspective view thereof.

[56] **References Cited**

**U.S. PATENT DOCUMENTS**

D. 114,188	4/1939	Levine	.....	D8/338
D. 281,948	12/1985	Hesse	.....	D8/330 X
D. 283,005	3/1986	Gisiger	.....	D8/331
D. 288,931	3/1989	Gisiger	.....	D8/330



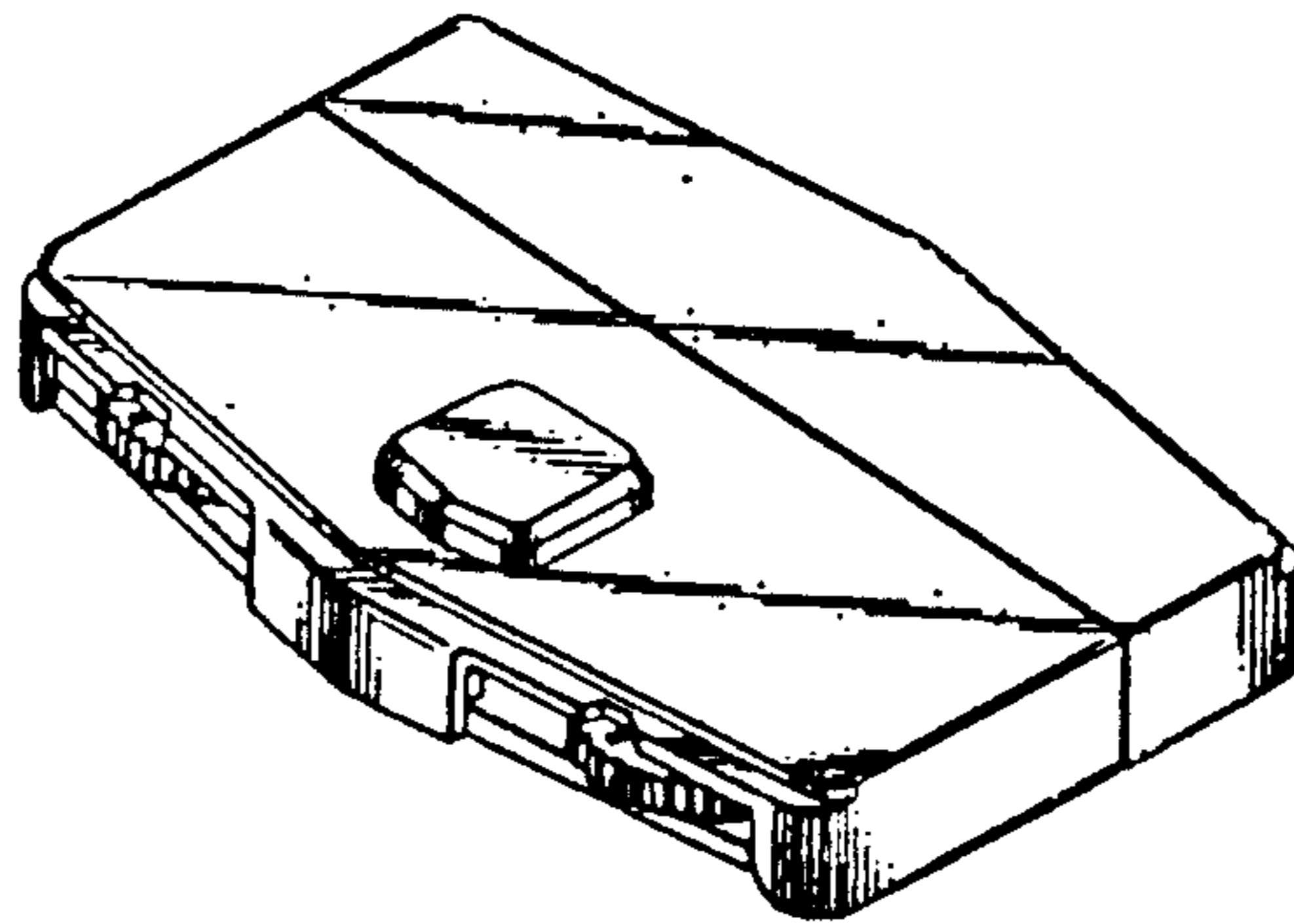


FIG. 1

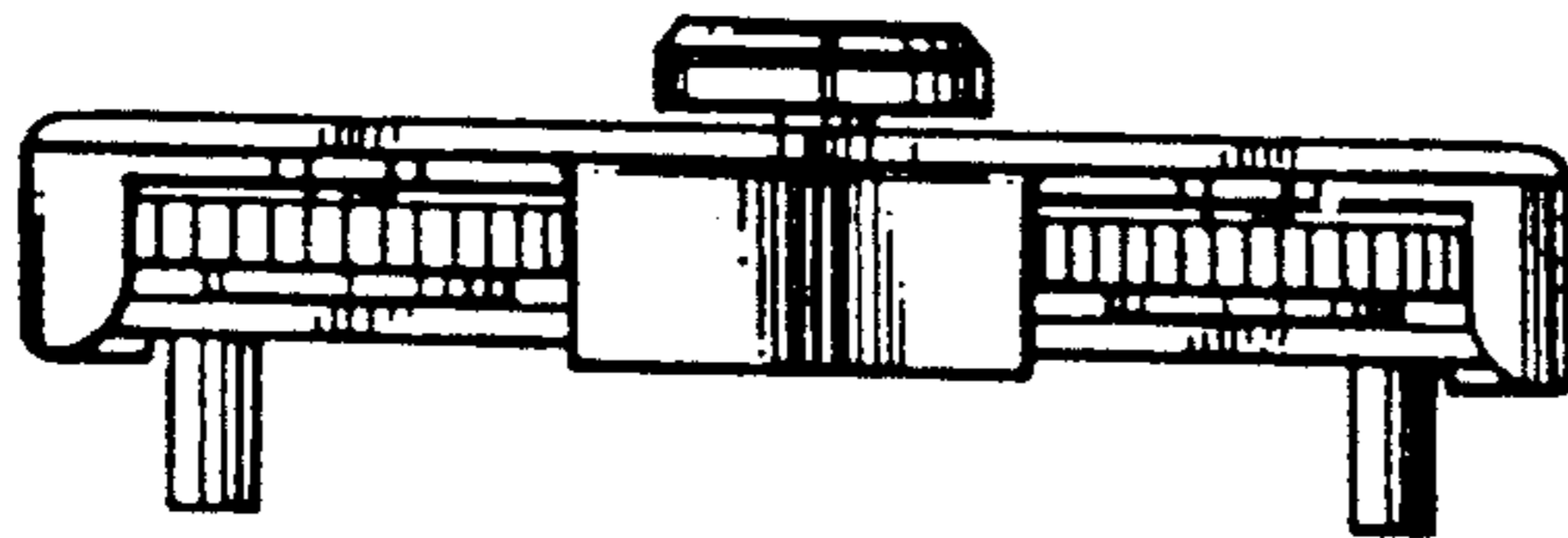


FIG. 2

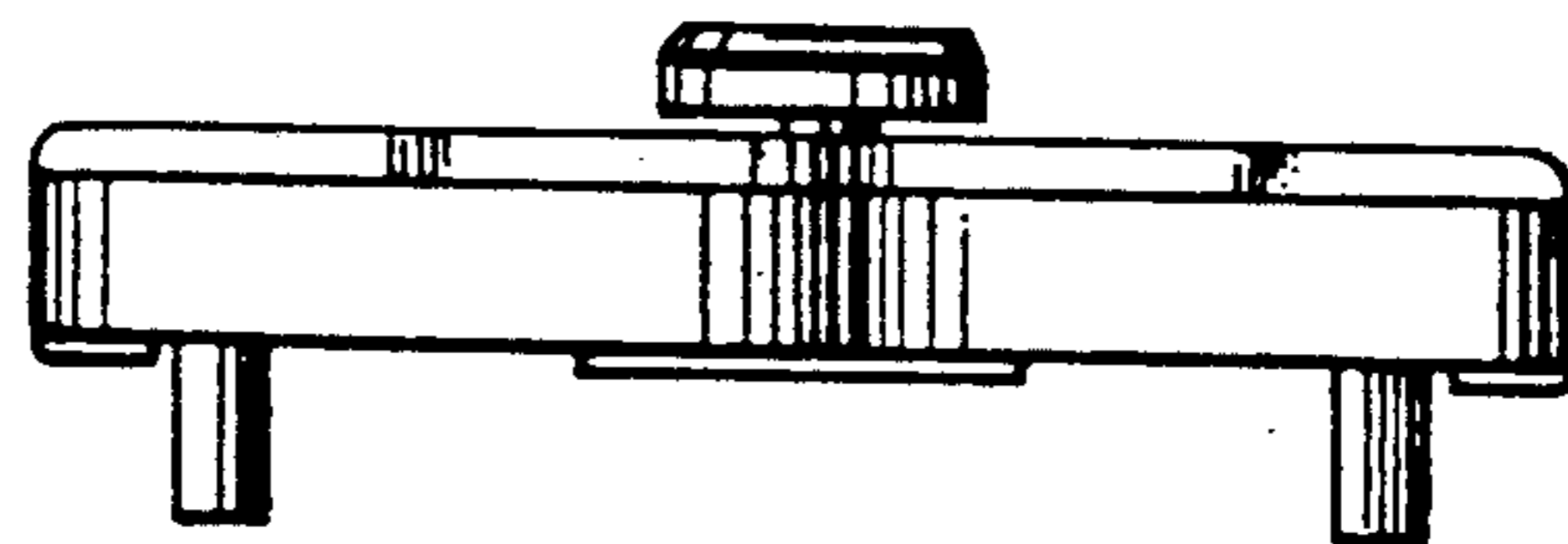


FIG. 3

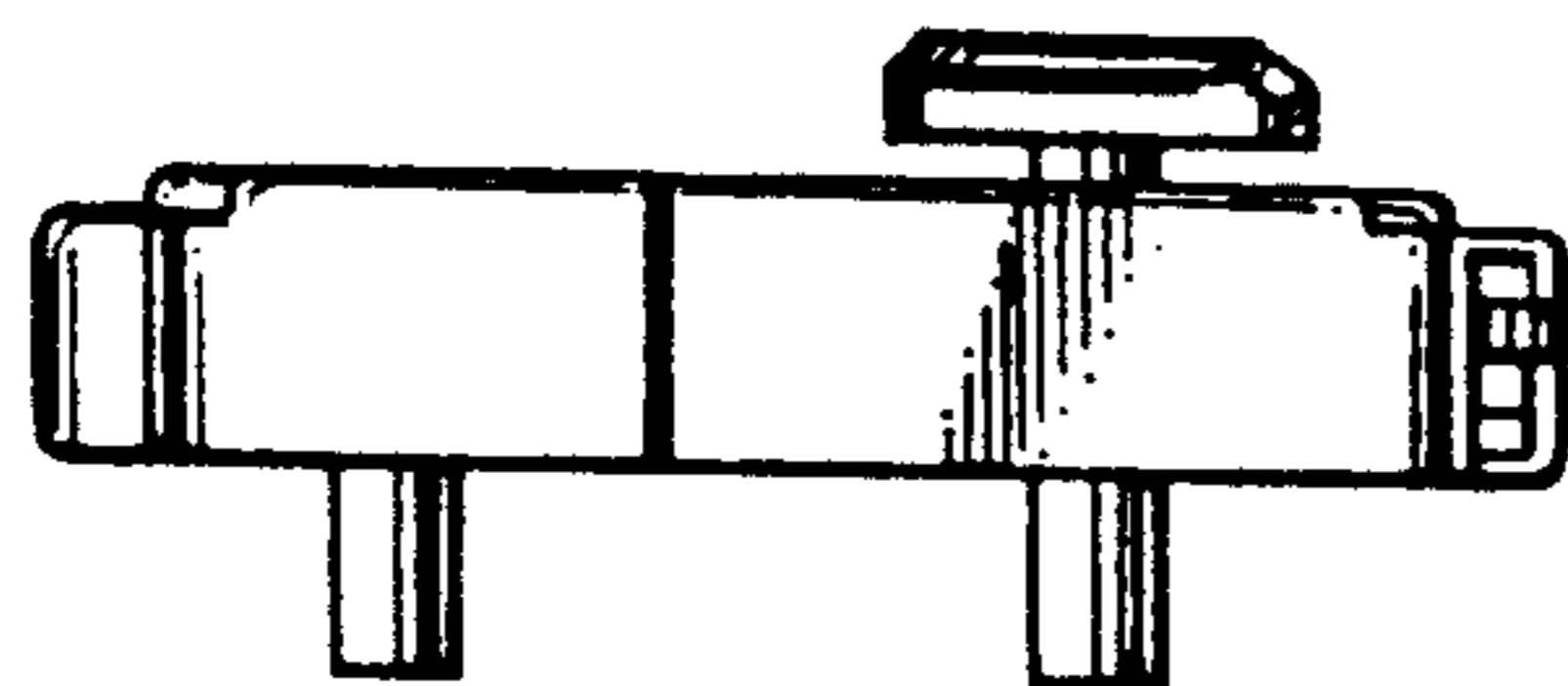


FIG. 4

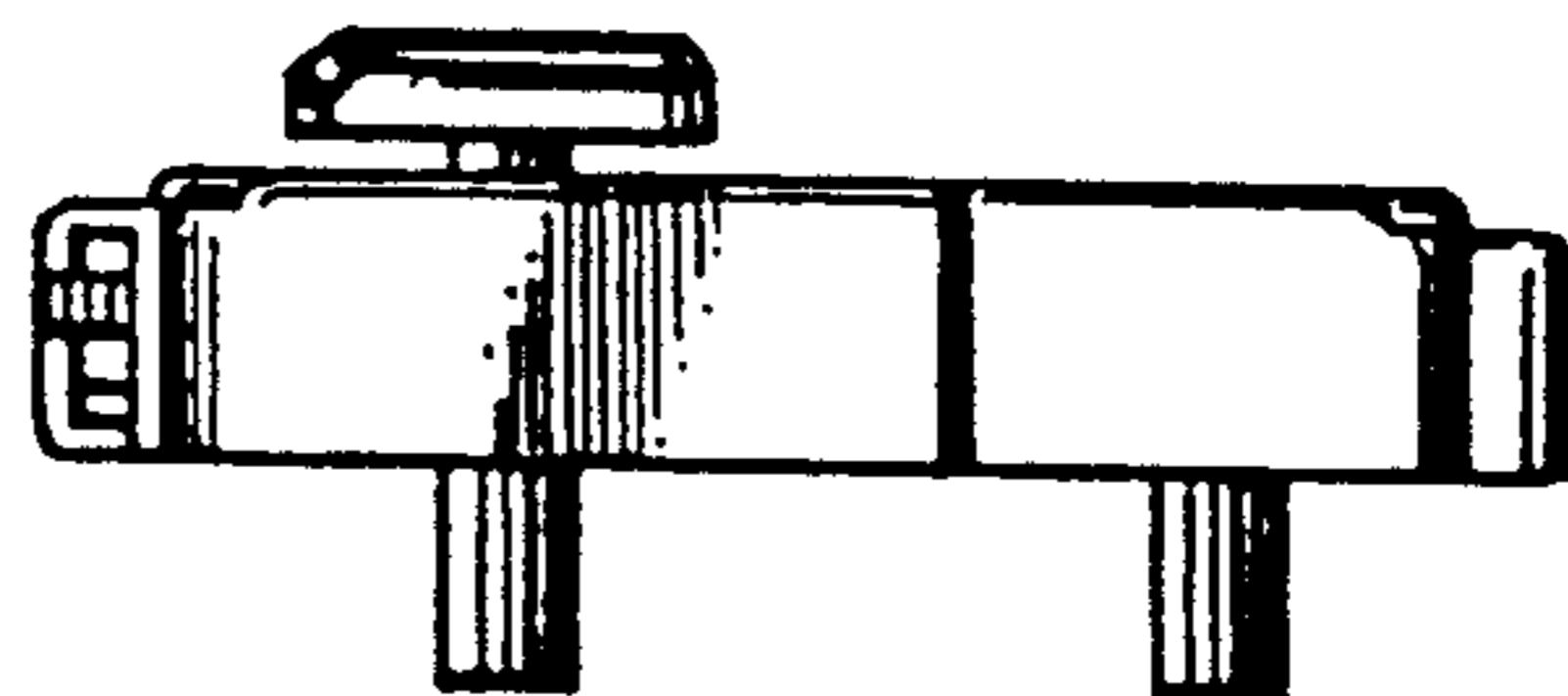


FIG. 5

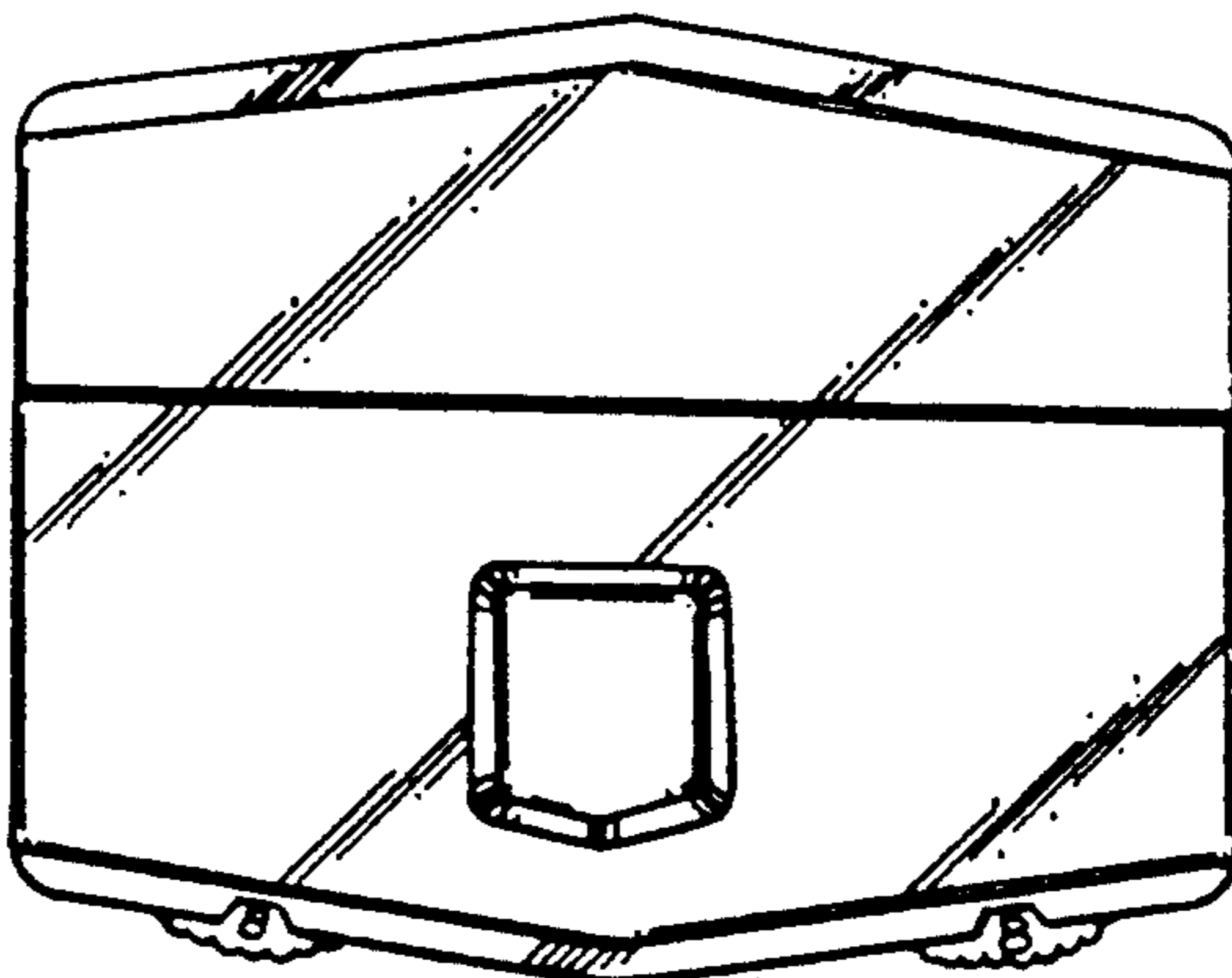


FIG. 6

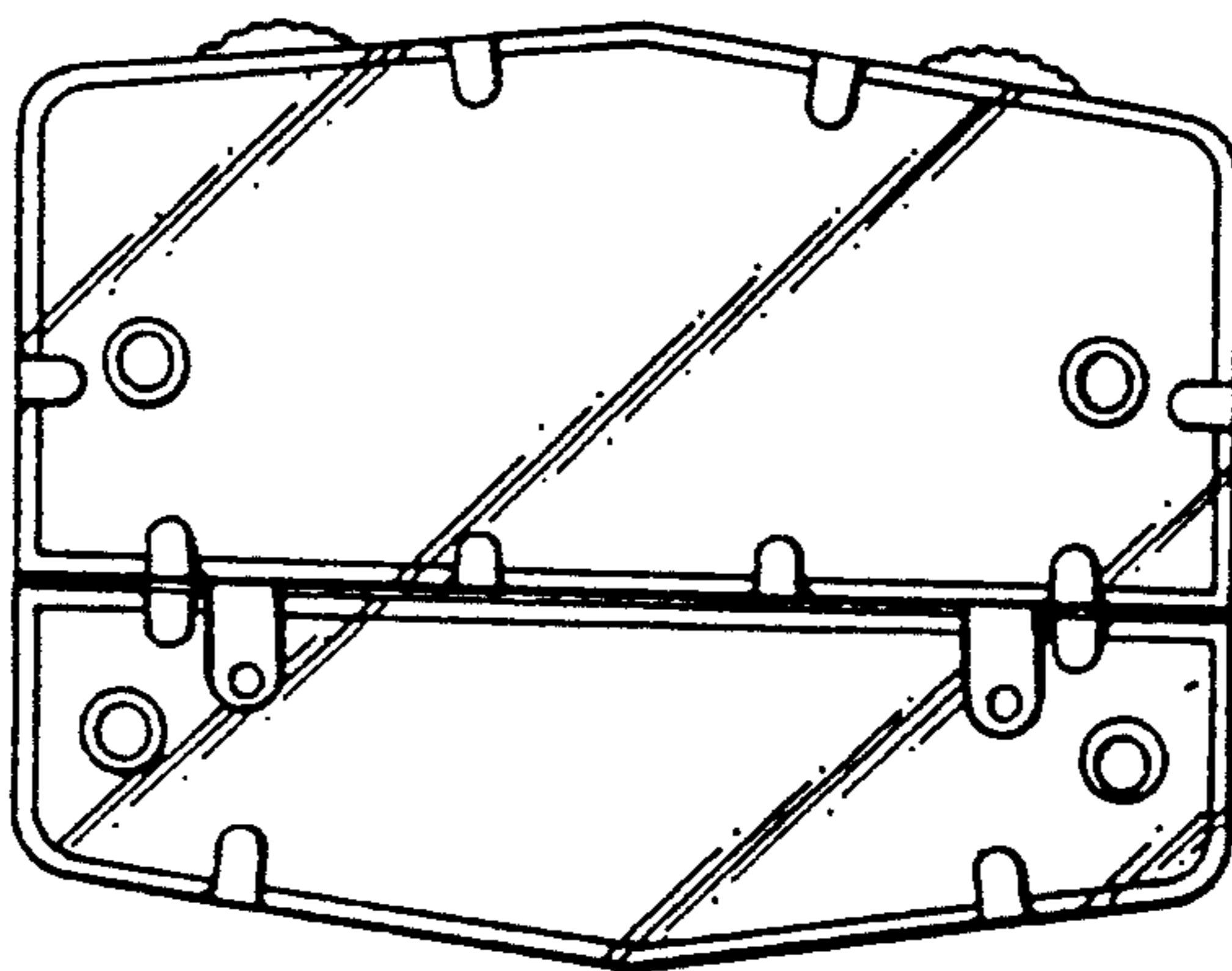


FIG. 7

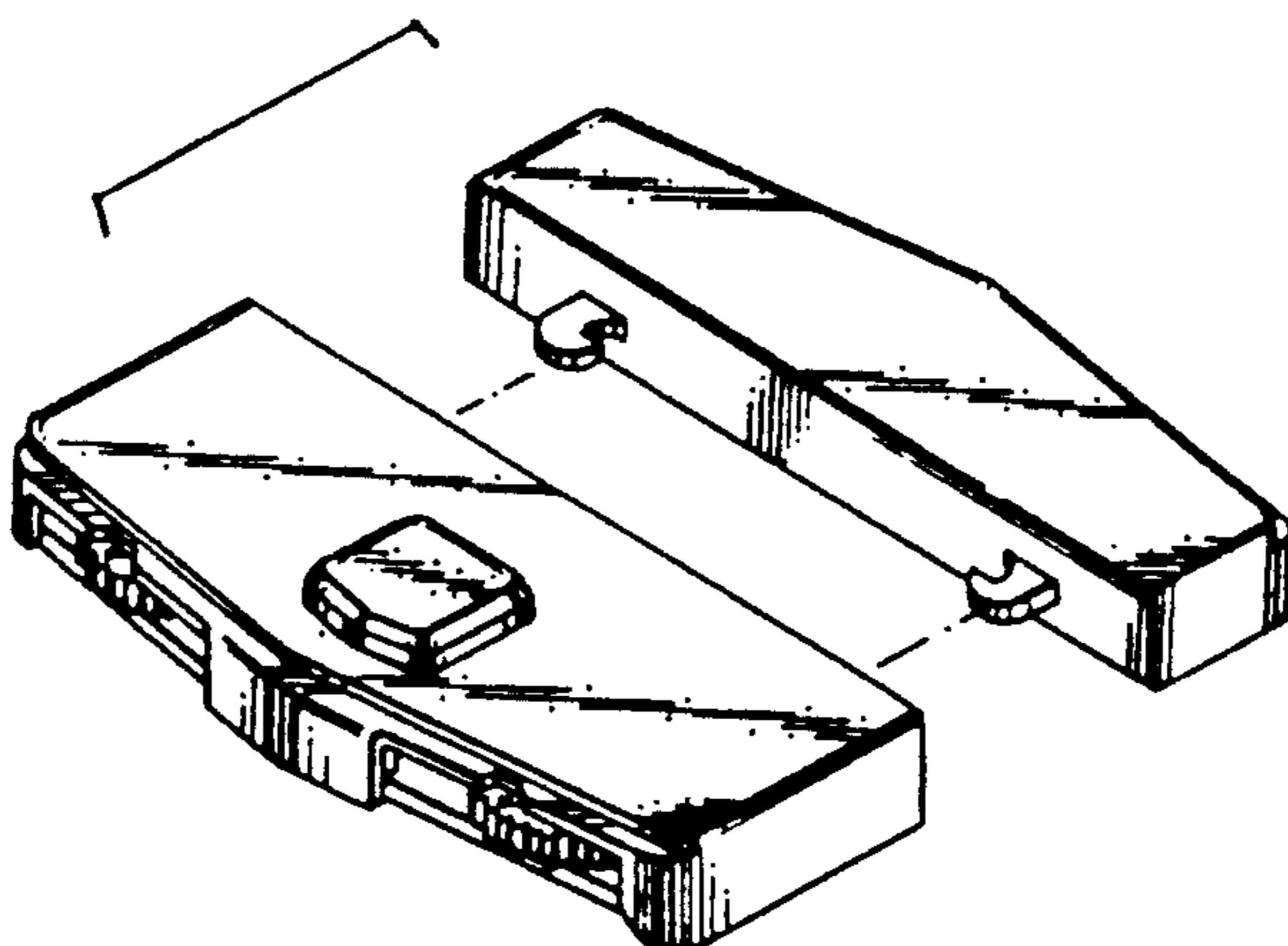


FIG. 8