



US00D345895S

United States Patent [19]

[11] Patent Number: **Des. 345,895**

Jaworski

[45] Date of Patent: **** Apr. 12, 1994**

[54] **BOUILLON CUP**

D. 288,044 2/1987 Unger D7/509
D. 288,048 2/1987 Unger D7/536 X
D. 288,397 2/1987 Unger D7/536

[75] Inventor: **Michele M. Jaworski, New Castle, Pa.**

Primary Examiner—Alan P. Douglas
Assistant Examiner—M. N. Pandozzi
Attorney, Agent, or Firm—Cushman, Darby & Cushman

[73] Assignee: **The Pfaltzgraff Co., York, Pa.**

[**] Term: **14 Years**

[57] **CLAIM**

[21] Appl. No.: **881,566**

The ornamental design for a bouillon cup, as shown and described.

[22] Filed: **May 14, 1992**

[52] U.S. Cl. **D7/560; D7/509**

[58] Field of Search **D7/500, 503, 509, 518, D7/529, 533, 536, 560, 566, 568, 570, 574, 584, 586, 587, 588, 396.4, 396.5**

DESCRIPTION

[56] **References Cited**

U.S. PATENT DOCUMENTS

- D. 22,485 5/1893 Tomey D7/396.5
- D. 36,330 5/1903 Johnson D7/536
- D. 59,219 10/1921 Haviland D7/536
- D. 83,899 4/1931 Graham D7/568
- D. 160,228 9/1950 Stier D7/518
- D. 282,331 1/1986 Pozzi D7/509

FIG. 1 is a side elevational view of a bouillon cup showing my new design. The opposite side is a mirror image thereof;

FIG. 2 is an end elevational view thereof with the opposite end view being a mirror image thereof;

FIG. 3 is a top plan view thereof;

FIG. 4 is a bottom plan view thereof;

FIG. 5 is a sectional view taken along line 5—5 in FIG. 4; and,

FIG. 6 is a sectional view taken along line 6—6 in FIG. 4.

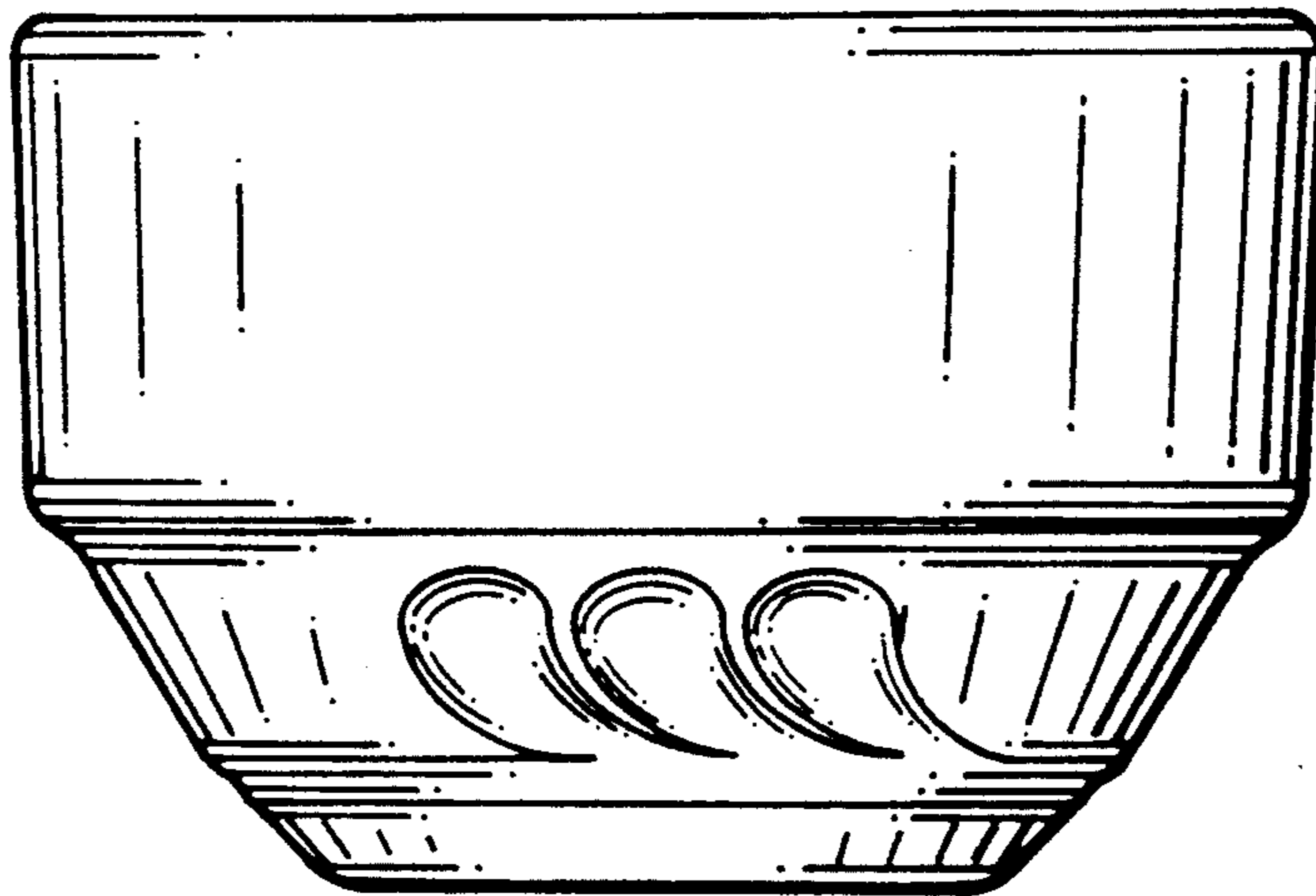


FIG. 2

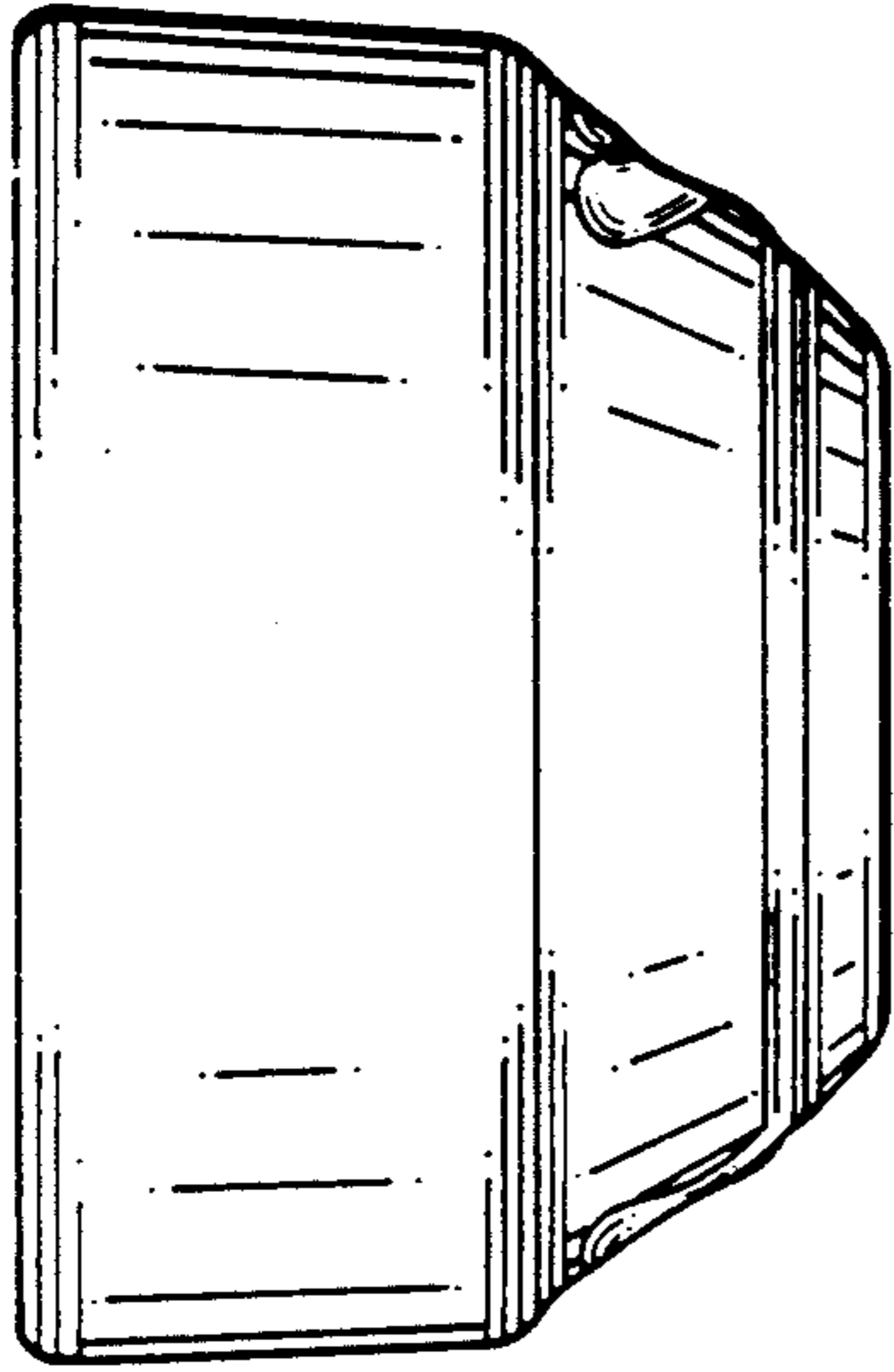


FIG. 1

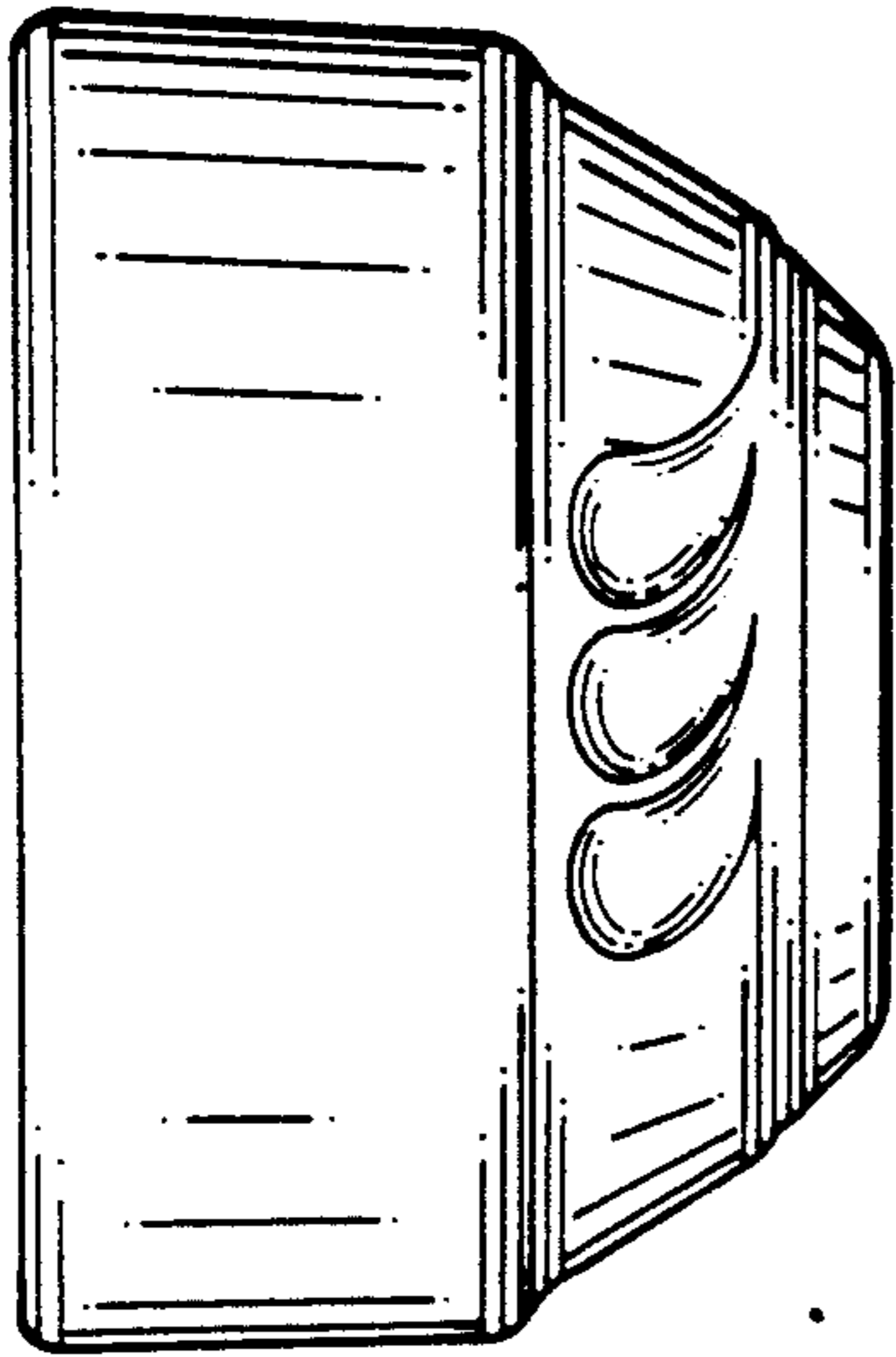


FIG. 4

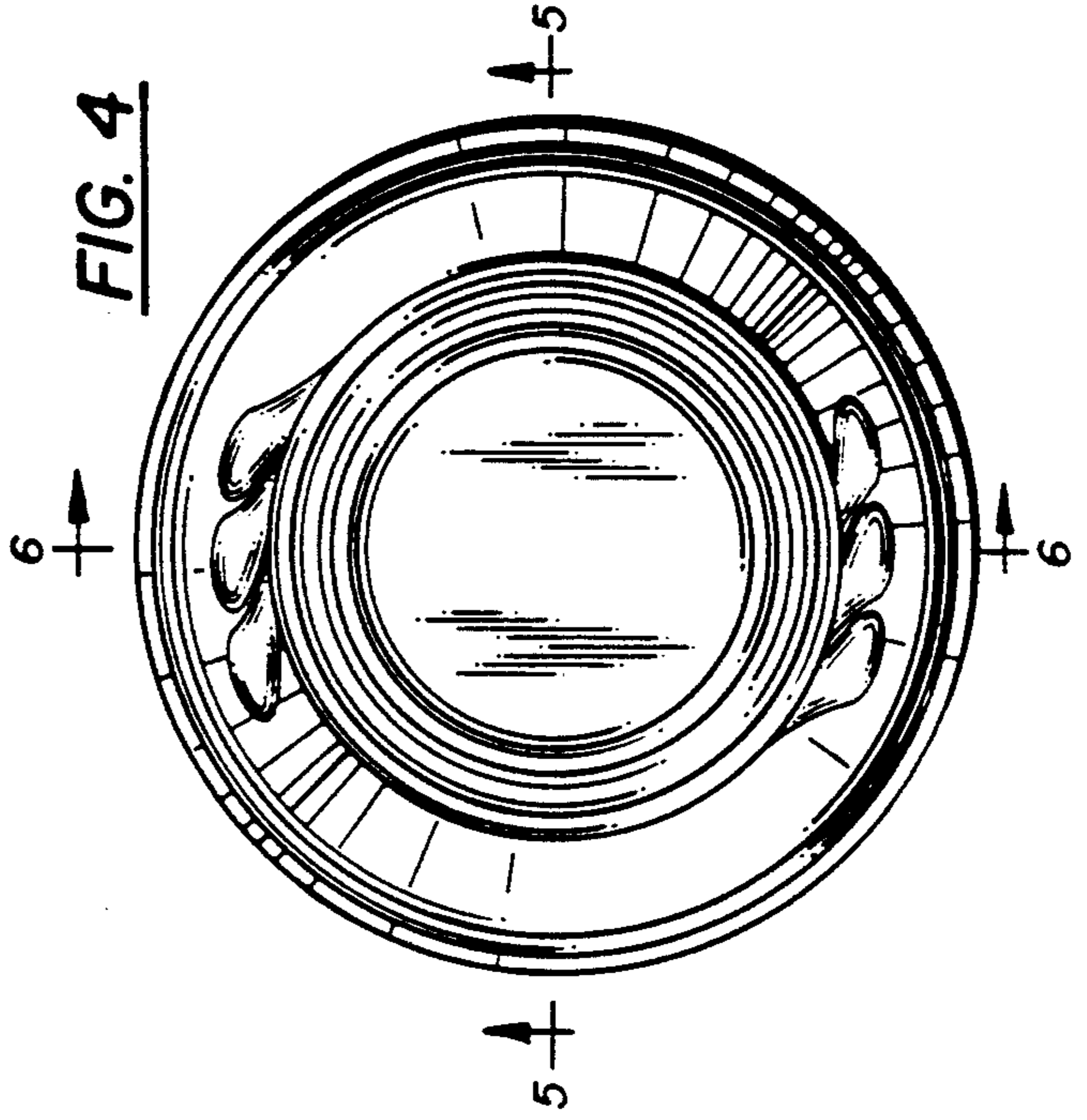


FIG. 3

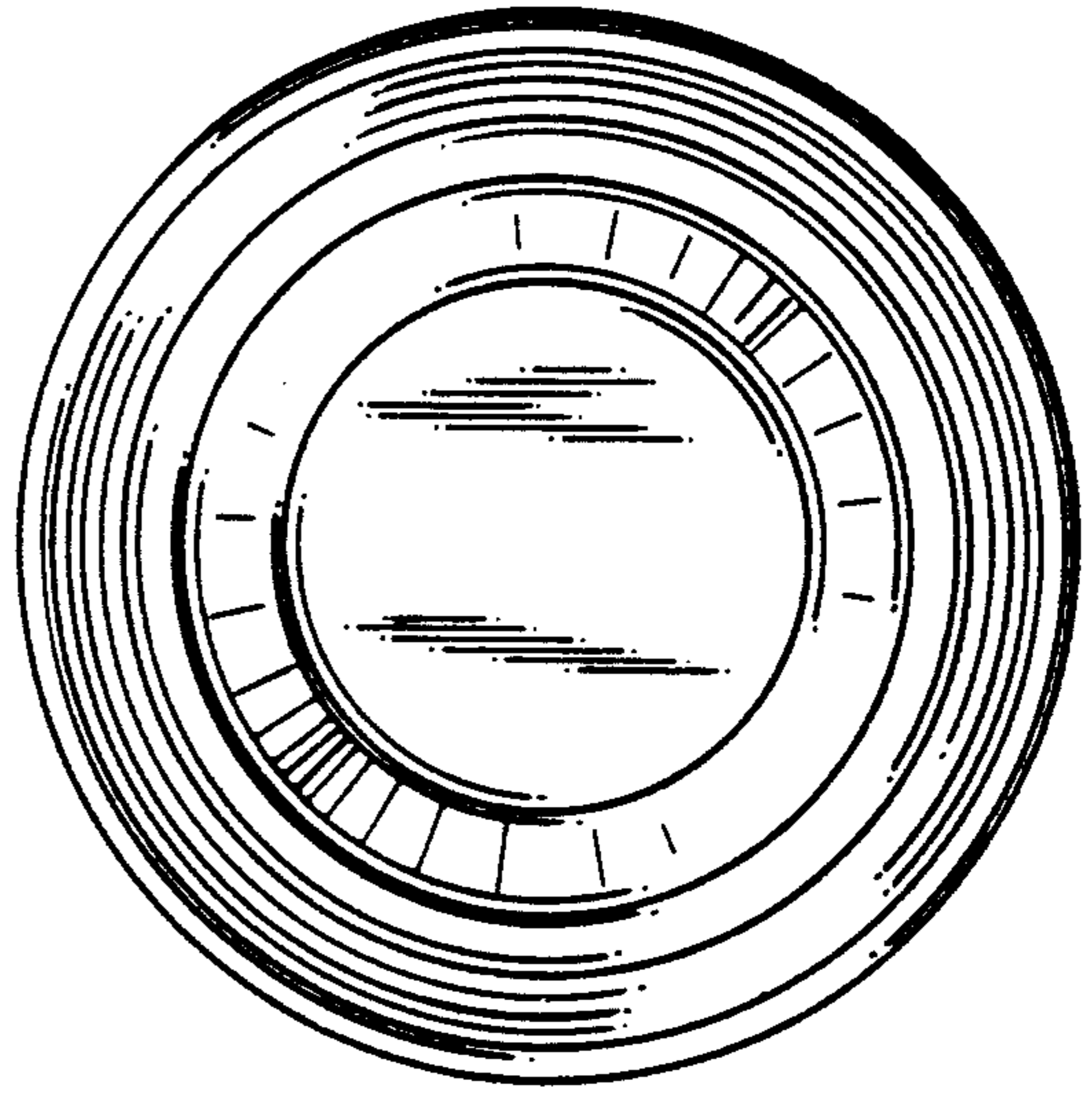


FIG. 6

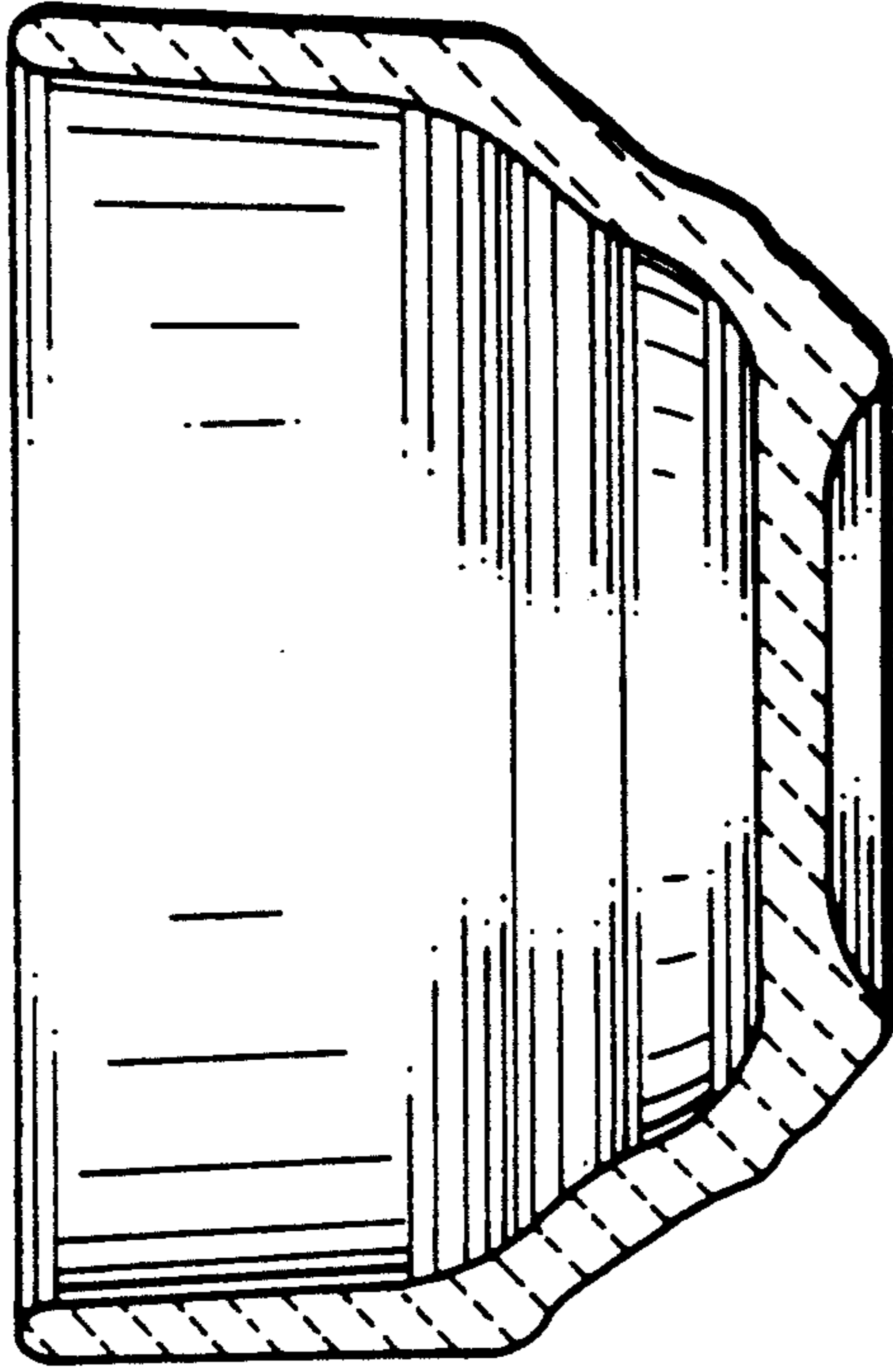


FIG. 5

