



US00D345894S

United States Patent [19]

[11] Patent Number: **Des. 345,894**

Krupa

[45] Date of Patent: **** Apr. 12, 1994**

- [54] **TRAY FOR BAKED GOODS**
- [75] Inventor: **Calvin S. Krupa**, Plymouth, Minn.
- [73] Assignee: **Ultra Pac, Inc.**, Rogers, Minn.
- [**] Term: **14 Years**
- [21] Appl. No.: **4,349**
- [22] Filed: **Feb. 2, 1993**
- [52] U.S. Cl. **D7/552; D9/429**
- [58] Field of Search **D9/428, 429, 425, 424, D9/341, 430, 456; D7/552, 553, 554, 562, 602, 608, 584, 587; 220/574, 669, 670, 672, 675, 912, DIG. 12, 658; 206/203, 557, 508; 229/906, 904**

4,435,434 3/1984 Caporaso 206/508 X

OTHER PUBLICATIONS

Modern Packaging, 1978, p. 300 bottom left of the page.
 D & C1, Feb. 1982, p. 62 bottom of the page round container.
 Modern Packaging, 1963, p. 88 as shown.

Primary Examiner—Prabhakar G. Deshmukh
Attorney, Agent, or Firm—Haugen and Nikolai

[57] CLAIM

The ornamental design for a tray for baked goods, as shown and described.

DESCRIPTION

FIG. 1 is a perspective view of a tray for baked goods of the present invention;
 FIG. 2 is a side view of the tray of the present invention;
 FIG. 3 is a second side view of the tray rotated 90 degrees from the position shown in FIG. 2;
 FIG. 4 is a top view of the tray of the present invention; and,
 FIG. 5 is a bottom view of the tray of the present invention.

[56] References Cited

U.S. PATENT DOCUMENTS

D. 188,127	6/1960	Libera	D9/429
D. 230,338	2/1974	Andre	D9/429
D. 291,398	8/1987	Schmidt	D7/562
D. 293,995	2/1988	Shin	D7/354 X
D. 334,323	3/1993	Rohrbeck	D9/429 X
2,242,684	5/1941	Stuart	206/45.32 X
3,545,645	12/1970	Smith	220/658
4,206,845	6/1980	Christian	206/508

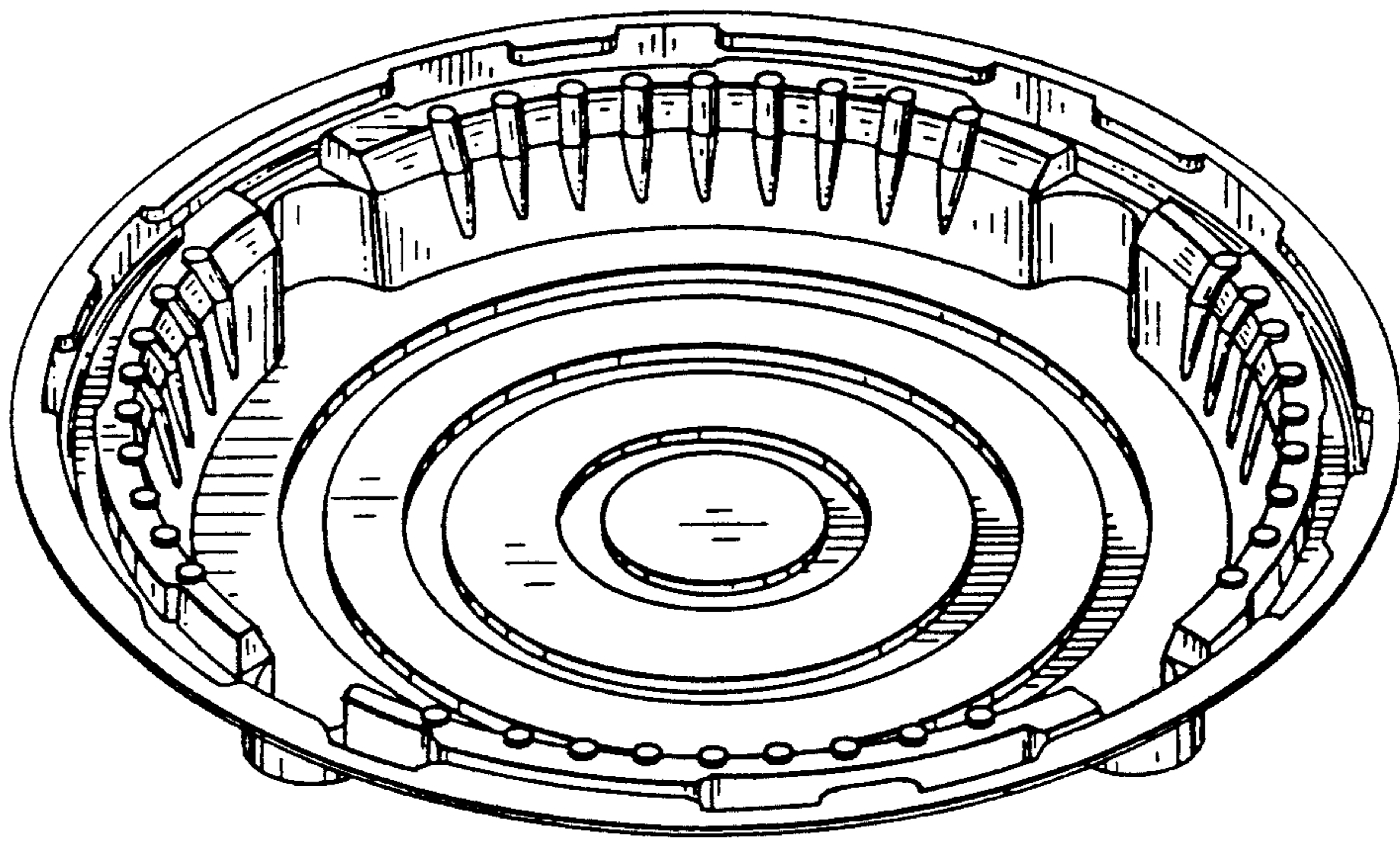


Fig.-1

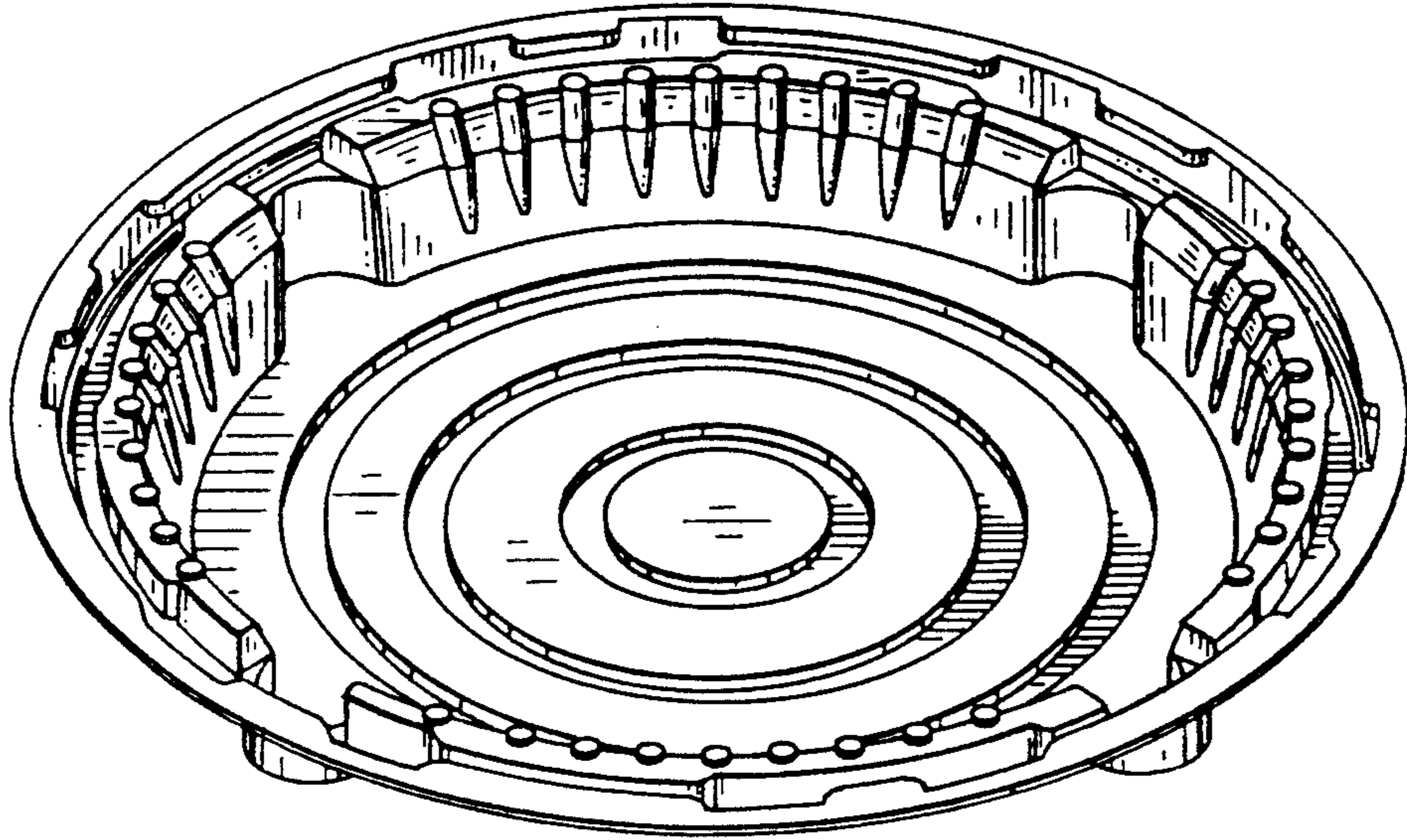


Fig.-2

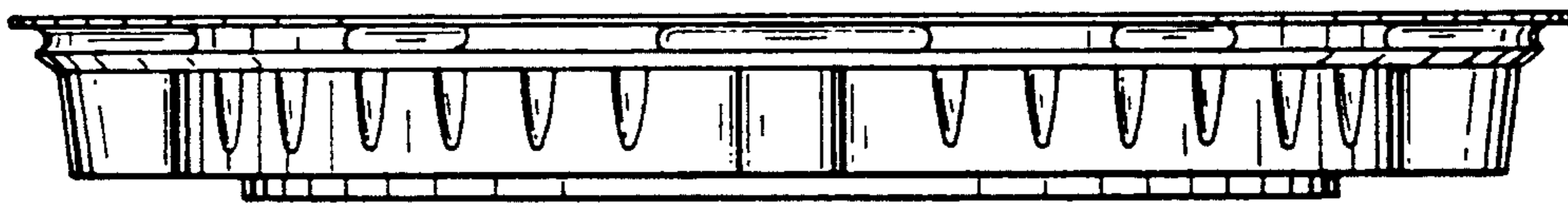
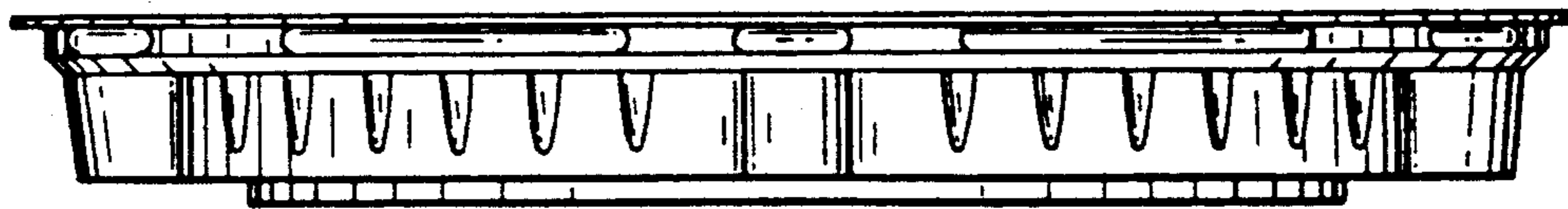


Fig.-3



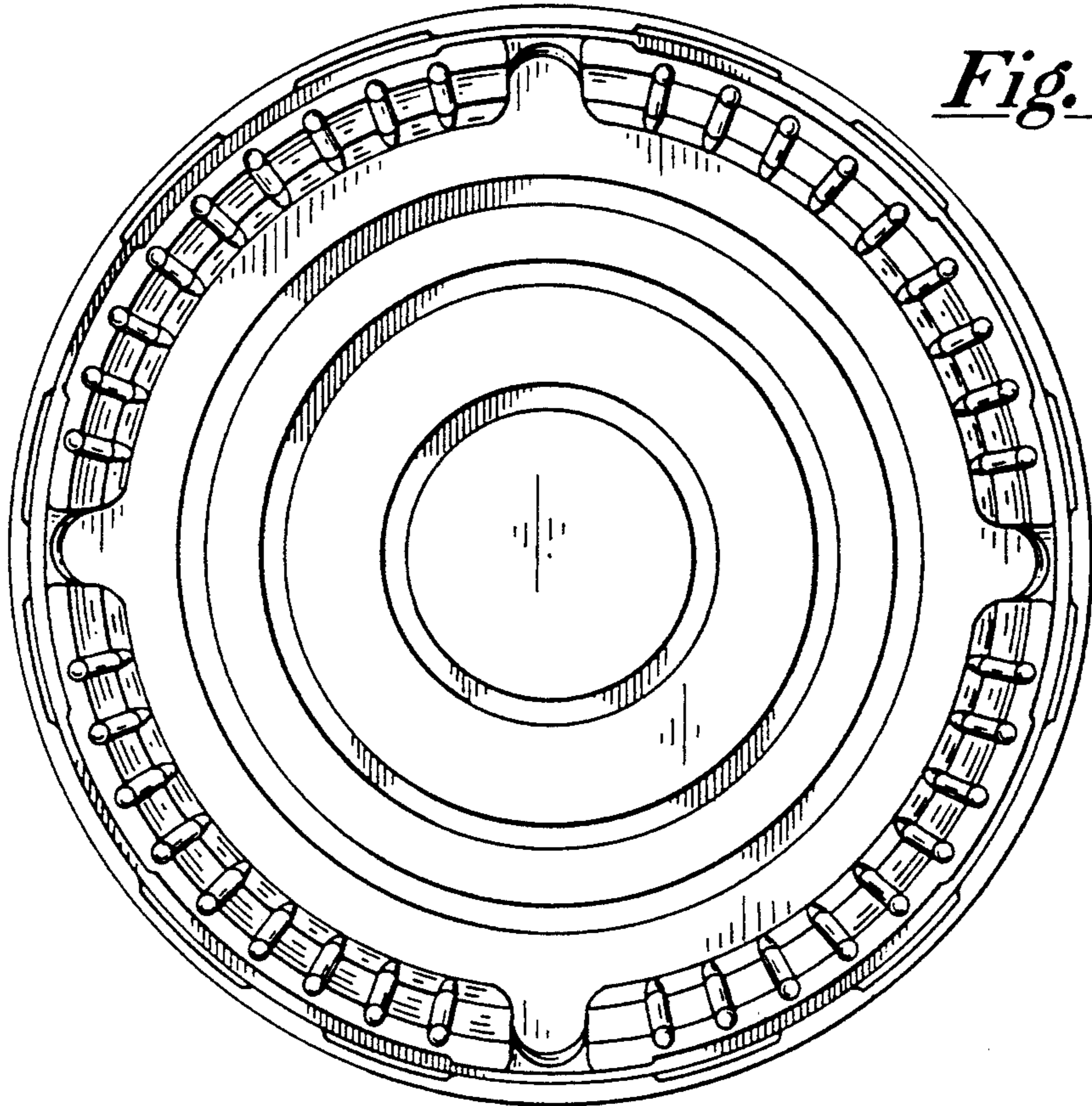


Fig.-4

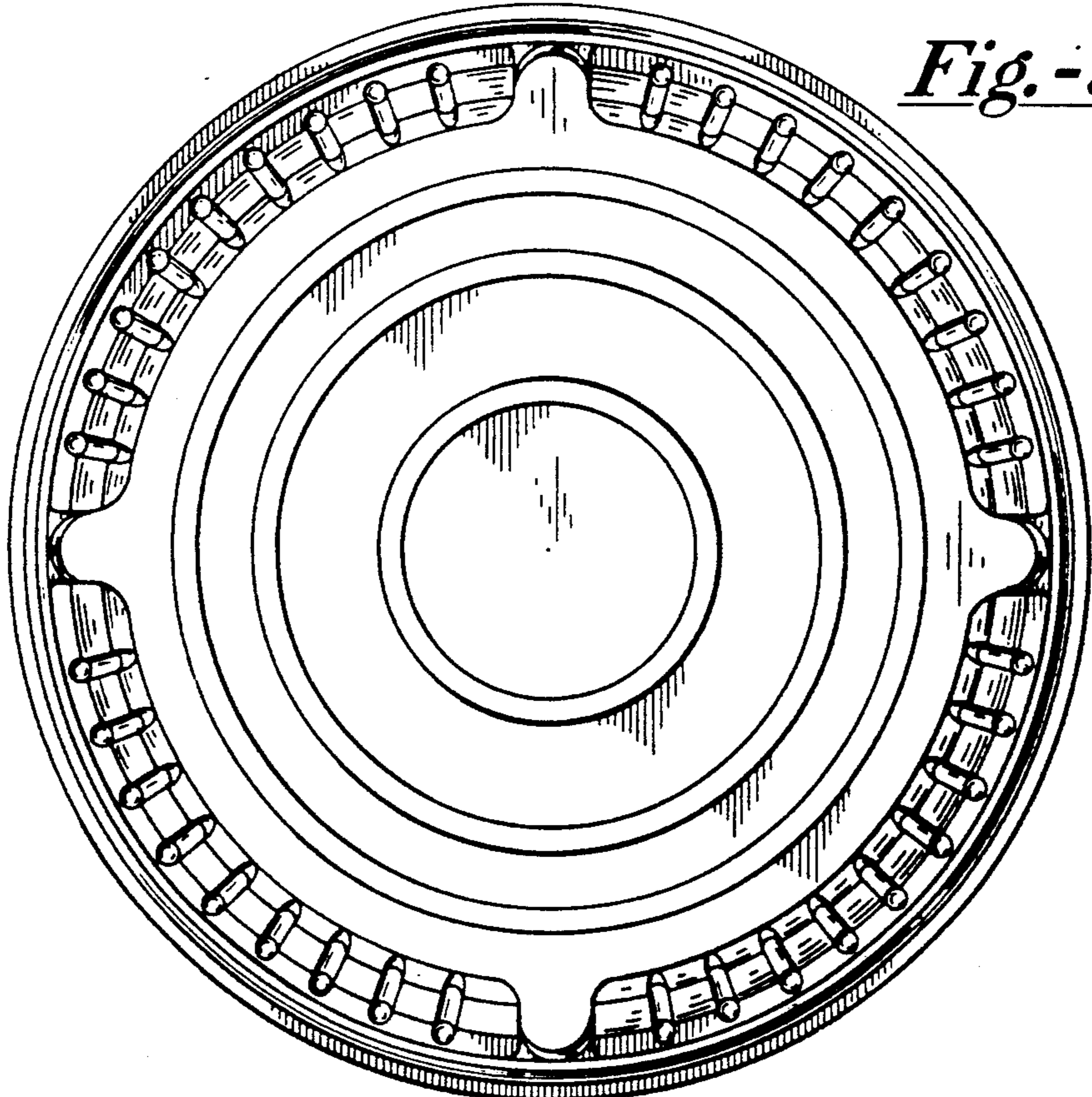


Fig.-5