



US00D345890S

# United States Patent [19]

[11] Patent Number: **Des. 345,890**

**Majors**

[45] Date of Patent: **\*\* Apr. 12, 1994**

[54] **GRILL DRIP PAN**

3,972,318 8/1976 Lenoir ..... D7/354  
4,291,616 9/1981 Taylor ..... D7/355

[76] Inventor: **Reginald M. Majors**, P.O. Box 1334,  
Front Royal, Va. 22630

[\*\*] Term: **14 Years**

[21] Appl. No.: **796,230**

[22] Filed: **Nov. 22, 1991**

### OTHER PUBLICATIONS

Hornung's Handbook of Designs & Devices, ©1932, p. 20 "Item 175-Ring Interlacement Design".  
Hardware Age, Oct. 1983, p. 113 "Broil-Bake Pan".

*Primary Examiner*—Ruth McInroy  
*Attorney, Agent, or Firm*—Hugh E. Smith

### Related U.S. Application Data

[63] Continuation-in-part of Ser. No. 216,245, Jul. 7, 1988,  
abandoned.

[52] U.S. Cl. .... **D7/402**

[58] Field of Search ..... **D7/332, 354, 355, 360-361,**  
**D7/586, 550, 402, 407, 396.4, 396.5; 126/14, 51,**  
**25 R; 99/444, 446; D20/11**

### [57] CLAIM

The ornamental design for a grill drip pan, as shown and described.

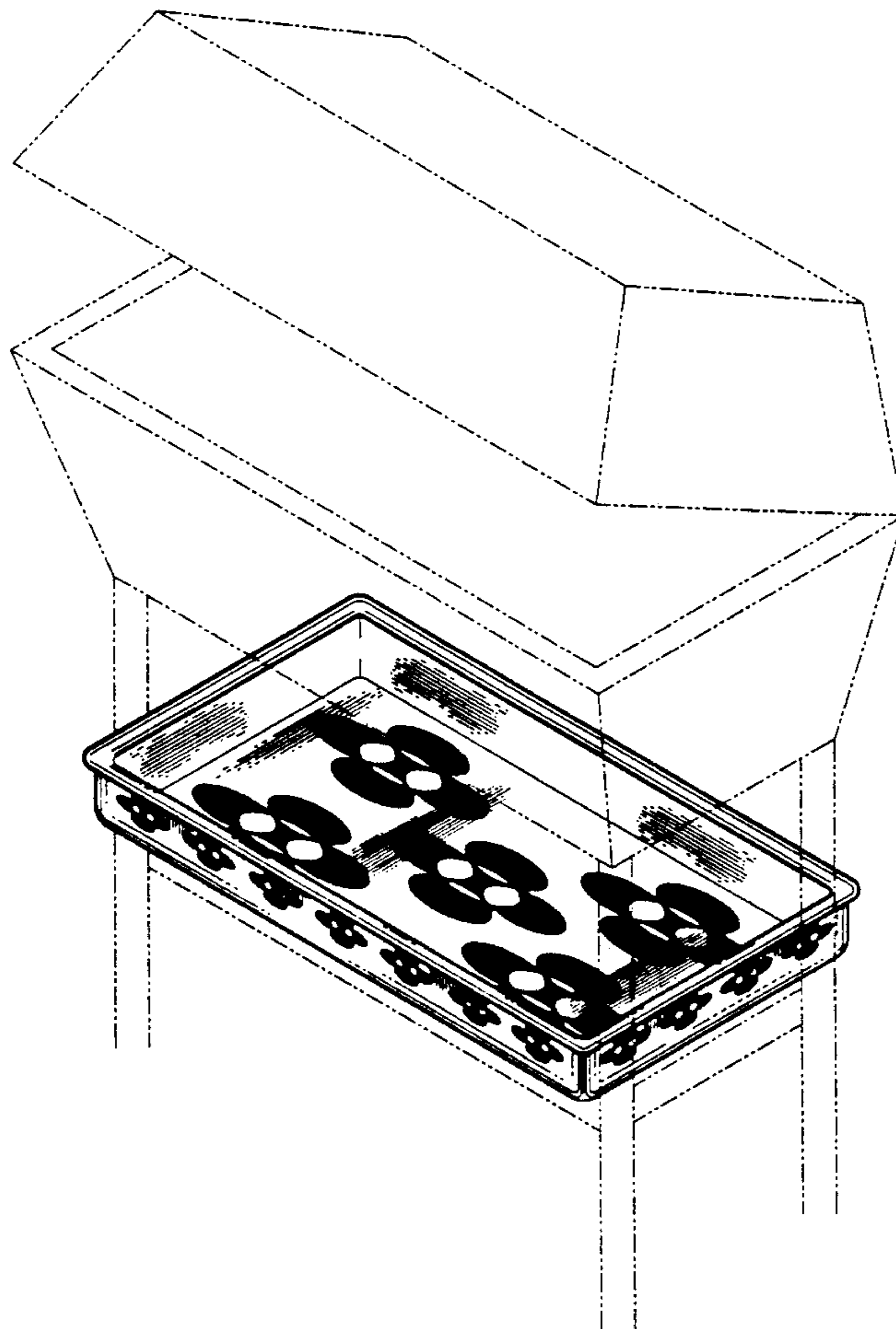
### DESCRIPTION

FIG. 1 is a front elevational view of the grill drip pan showing my new design;  
FIG. 2 is a rear elevational view thereof;  
FIG. 3 is a left side elevational view thereof;  
FIG. 4 is a right side elevational view thereof;  
FIG. 5 is a top plan view thereof;  
FIG. 6 is a bottom plan view thereof; and,  
FIG. 7 is a perspective view thereof, the grill shown in broken lines is for illustrative purposes only and forms no part of the claimed design.

### [56] References Cited

#### U.S. PATENT DOCUMENTS

D. 112,247	11/1938	Exelmans	.....	D7/560
D. 171,168	12/1953	Ross	.....	D7/544
D. 213,899	4/1969	Rickmeier, Jr.	.....	D7/355
D. 291,526	8/1987	Heaney et al.	.....	D7/354
D. 292,470	10/1987	Oh	.....	D7/354



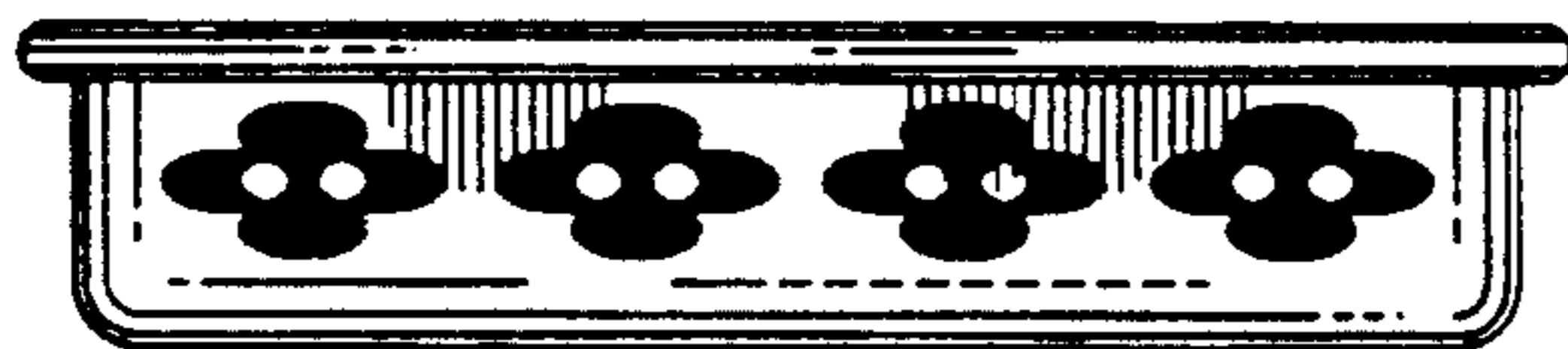
*FIG. 1*



*FIG. 2*



*FIG. 3*



*FIG. 4*



FIG. 5

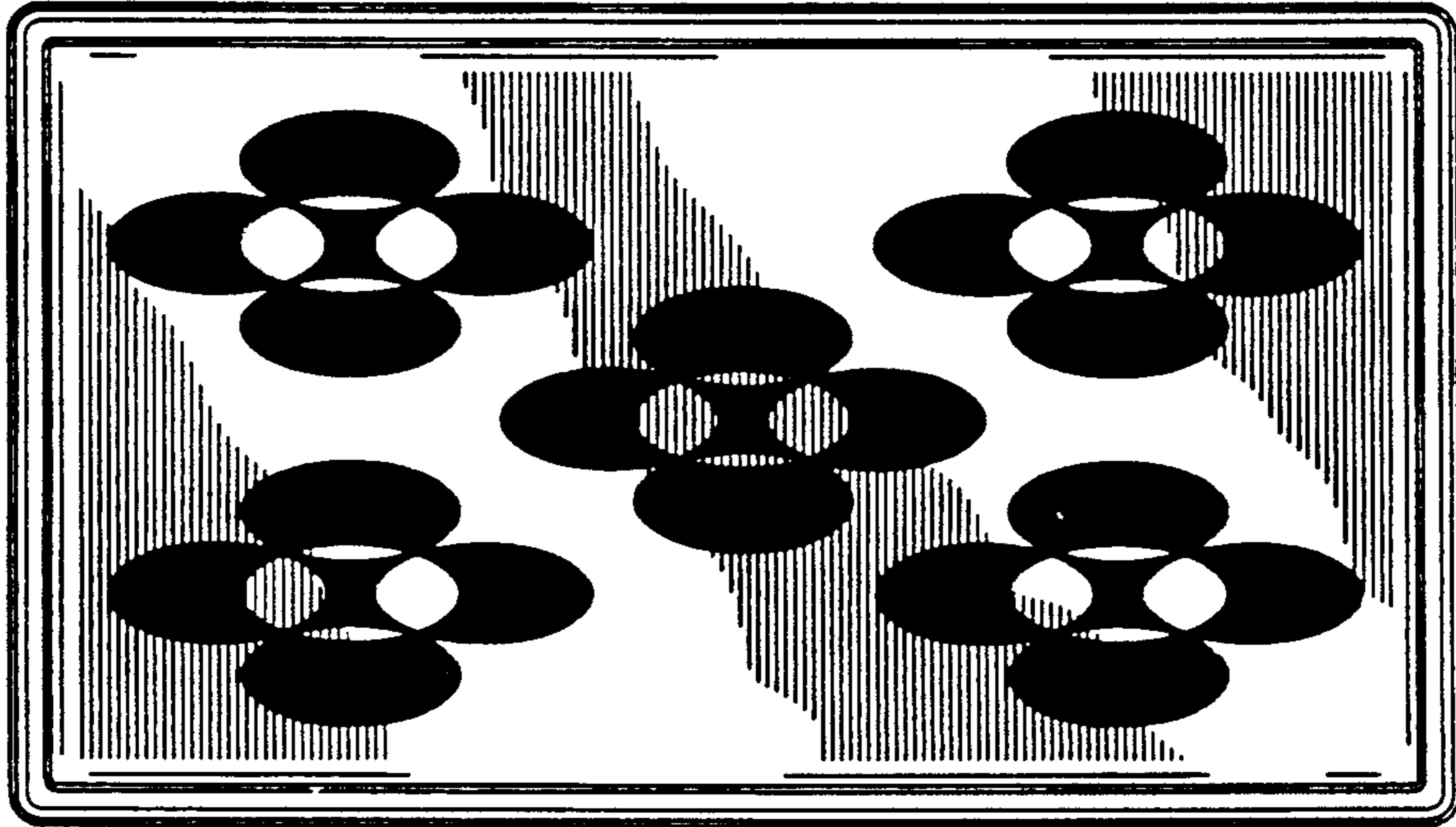


FIG. 6

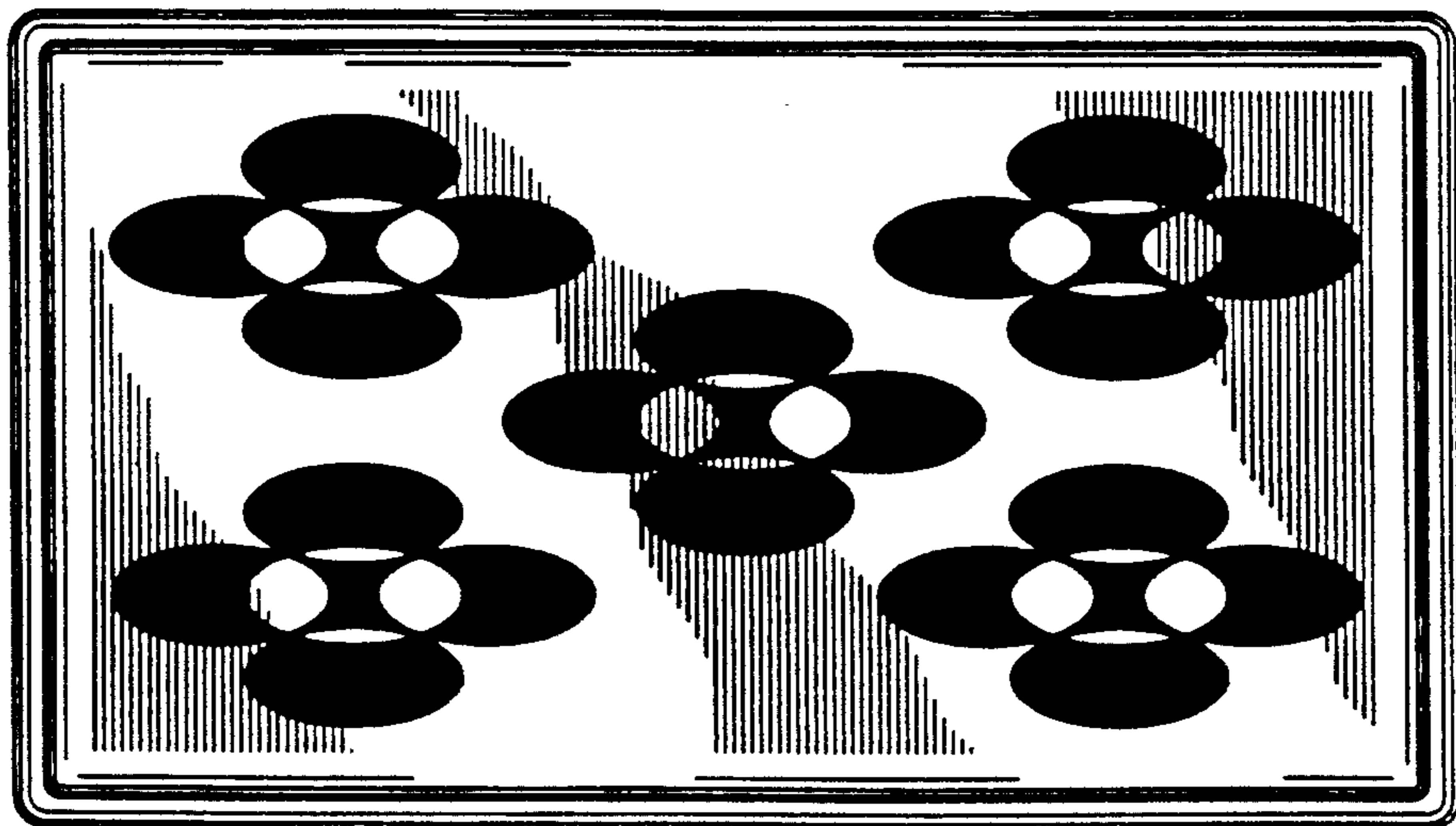


FIG. 7

