



US00D345888S

# United States Patent [19]

[11] Patent Number: **Des. 345,888**

Joss et al.

[45] Date of Patent: **\*\* Apr. 12, 1994**

- [54] **HAND MIXER**
- [75] Inventors: **Michael S. Joss, Chicago; Stanley T. Gresens, Homewood, both of Ill.**
- [73] Assignee: **Rival Manufacturing Company, Kansas City, Mo.**
- [\*\*] Term: **14 Years**
- [21] Appl. No.: **925,585**
- [22] Filed: **Aug. 4, 1992**
- [52] U.S. Cl. .... **D7/379; D7/412**
- [58] Field of Search ..... **D7/376-380, D7/413; 241/37.5, 92, 169.1, 282.1, 282.2**

2,987,636	6/1961	Jepson .....	310/50
3,566,059	2/1971	Madan .....	200/80
3,924,169	12/1975	Craft et al. ....	318/354
4,309,631	1/1982	Christensen .....	310/50

*Primary Examiner*—Alan P. Douglas  
*Assistant Examiner*—Caron D. Veynar  
*Attorney, Agent, or Firm*—William Brinks Hofer Gilson & Lione

### [57] CLAIM

The ornamental design for a hand mixer, as shown.

### DESCRIPTION

FIG. 1 is a perspective view of a hand mixer showing our new design;  
 FIG. 2 is a left side elevational view thereof;  
 FIG. 3 is a front view thereof;  
 FIG. 4 is a right side elevational view thereof;  
 FIG. 5 is a rear view thereof;  
 FIG. 6 is a top view thereof; and,  
 FIG. 7 is a bottom view thereof.  
 The broken line showing a portion of an electrical cord in FIGS. 1, 3, 5, 6 and 7 is environmental only and forms no part of the claimed design.

### [56] References Cited

#### U.S. PATENT DOCUMENTS

D. 224,132	7/1972	Yamamoto .....	D7/379
D. 234,742	4/1975	Stut .....	D7/379
D. 315,080	3/1991	Naft .....	D7/379
D. 329,165	9/1992	Doggett .....	D7/376
2,048,184	7/1936	Dormeyer .....	259/131
2,637,824	5/1953	Kessel .....	310/68
2,737,371	3/1956	Gerry .....	259/1

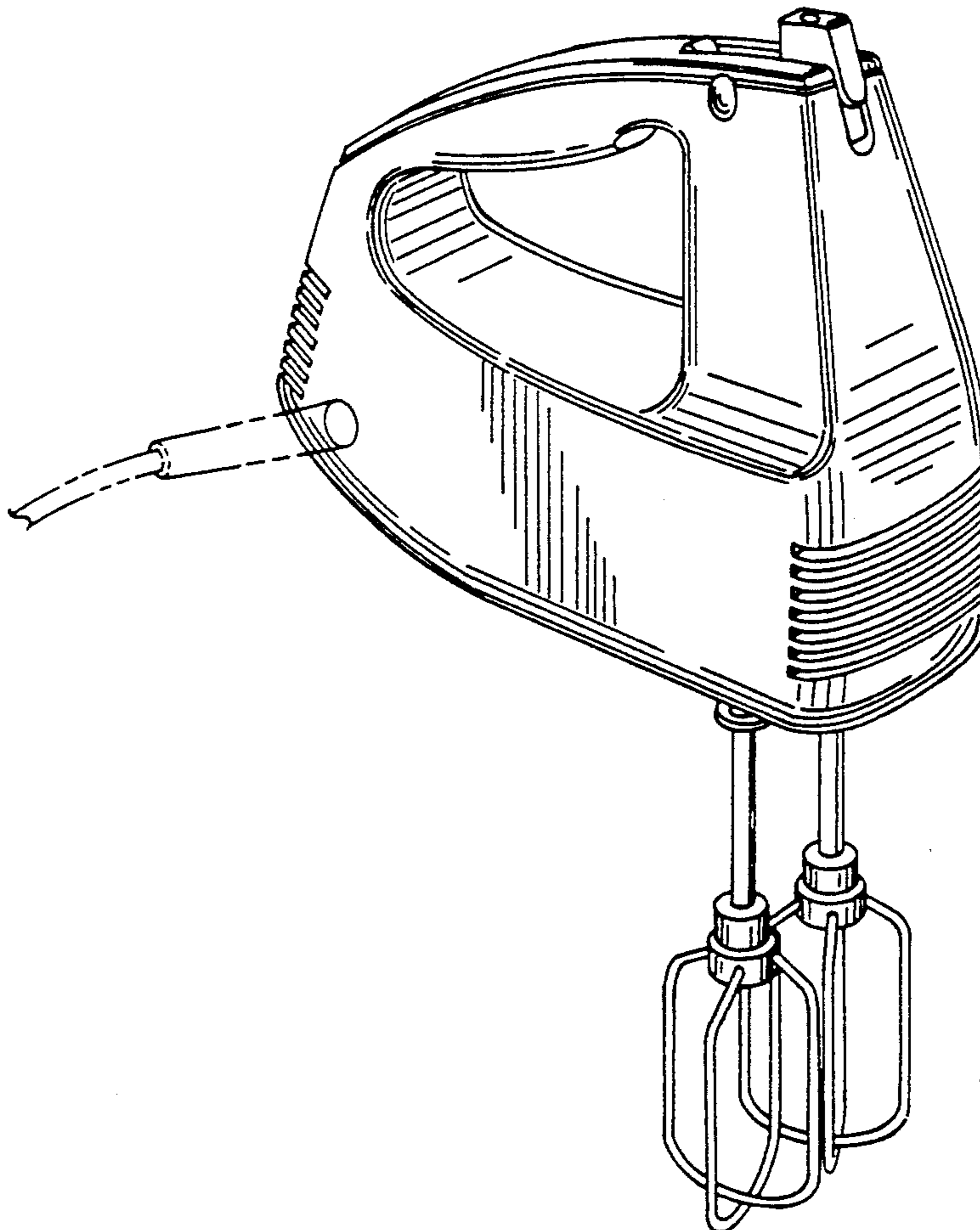


FIG. 2

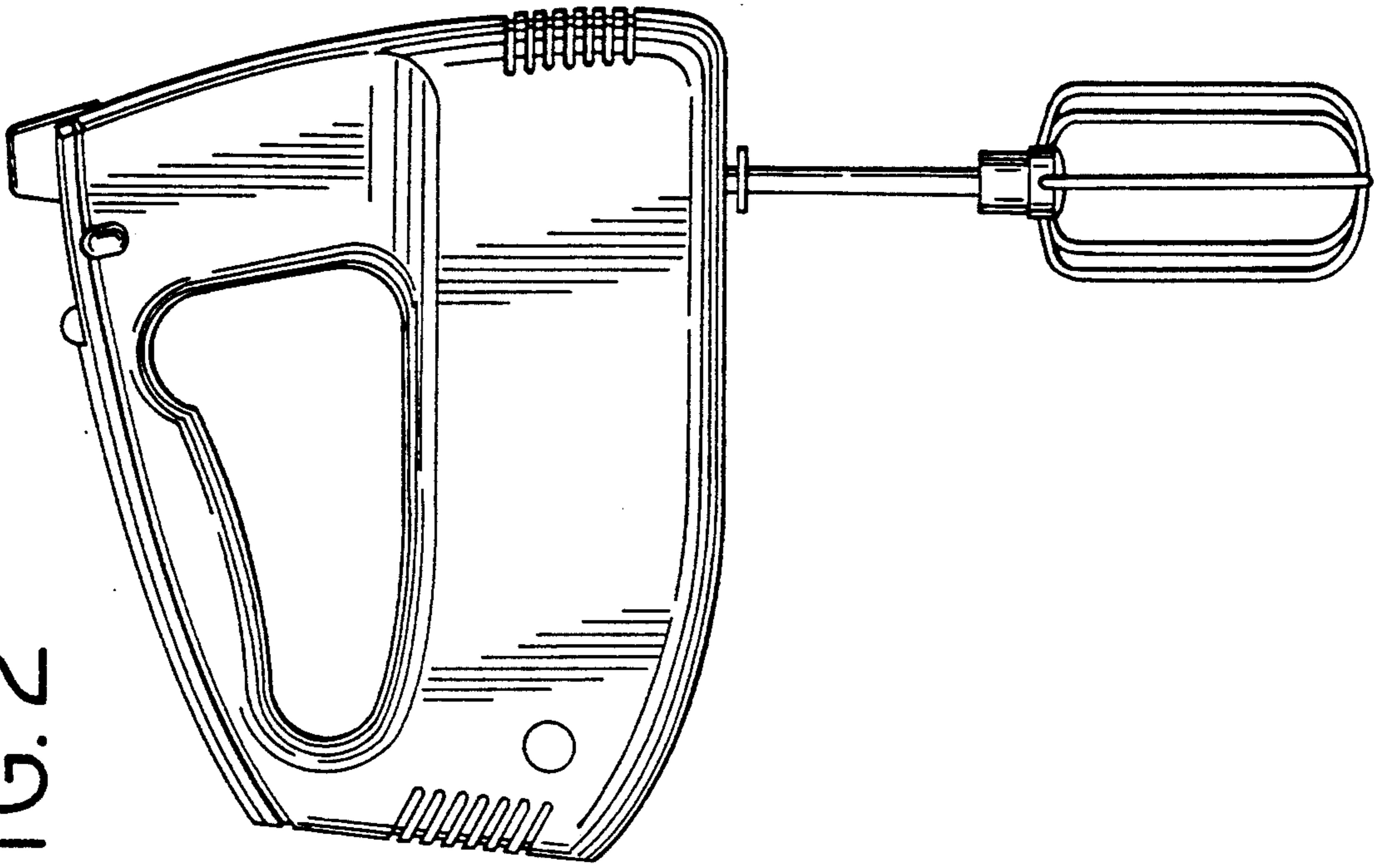


FIG. 1

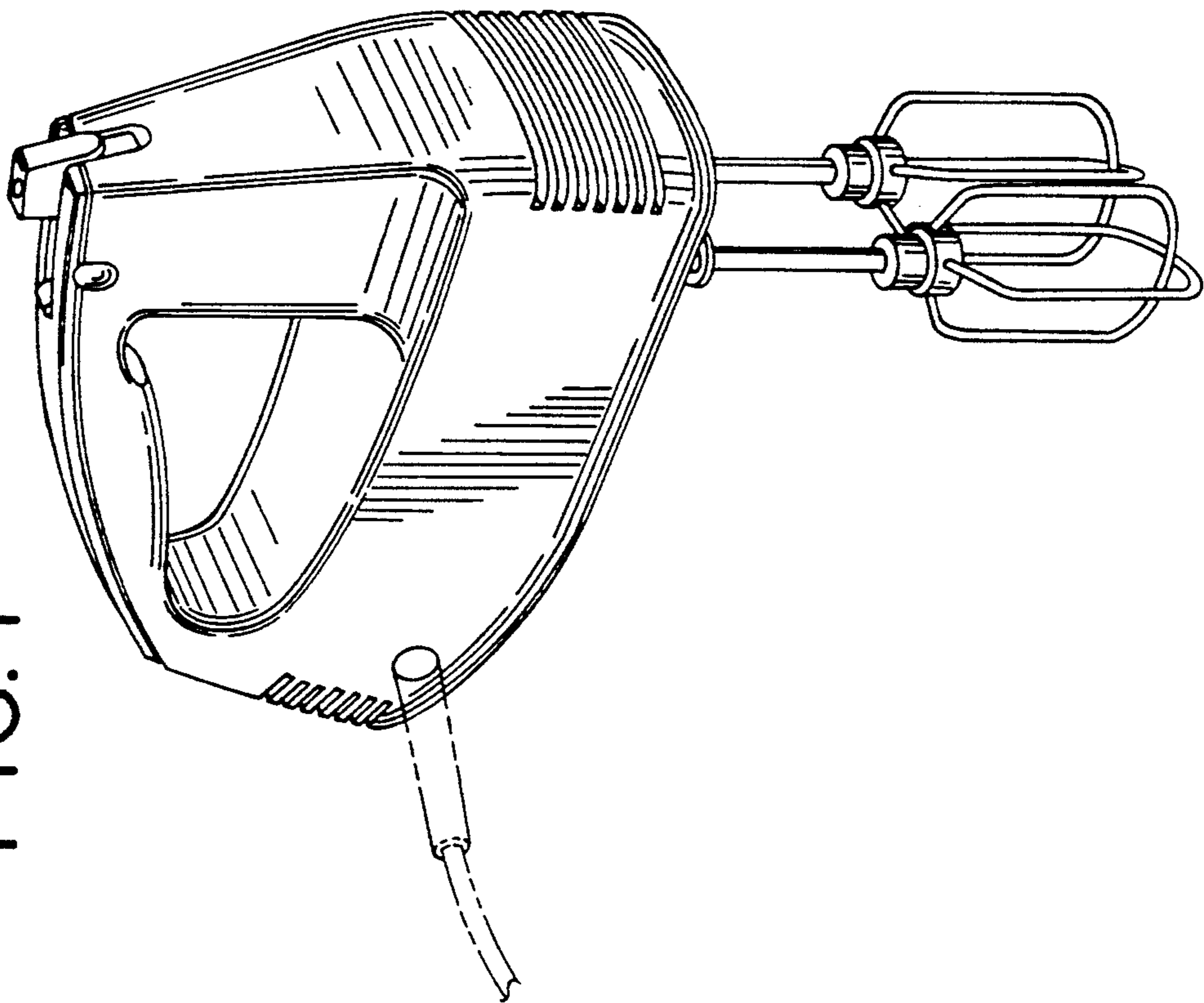


FIG. 5

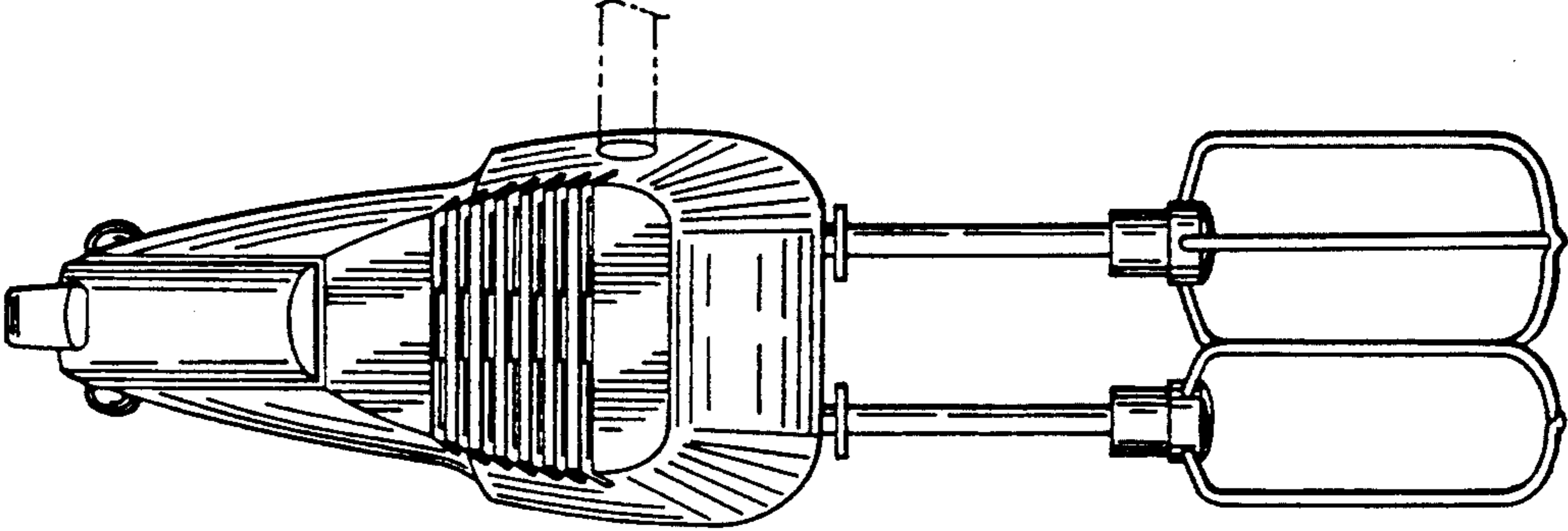


FIG. 4

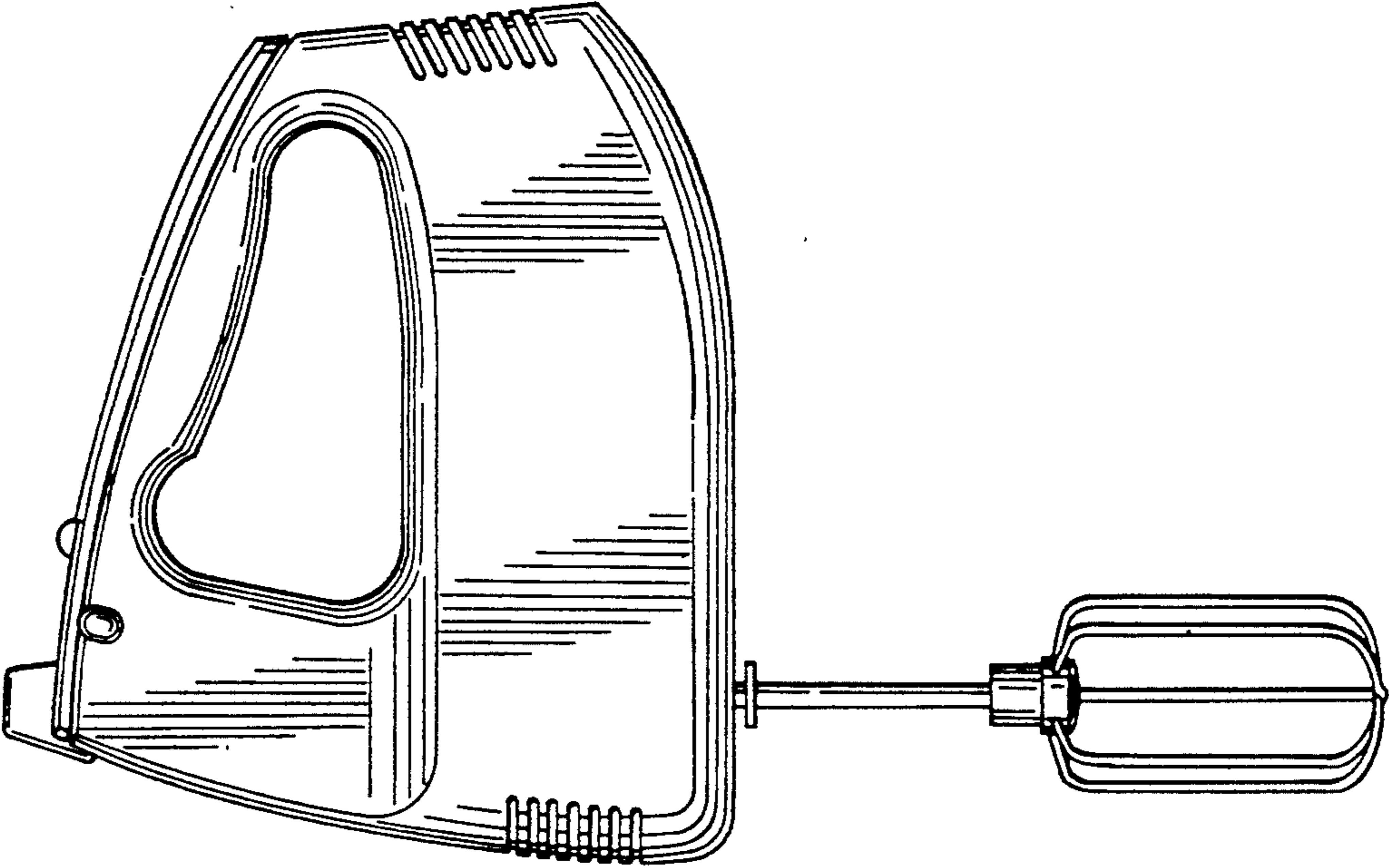


FIG. 3

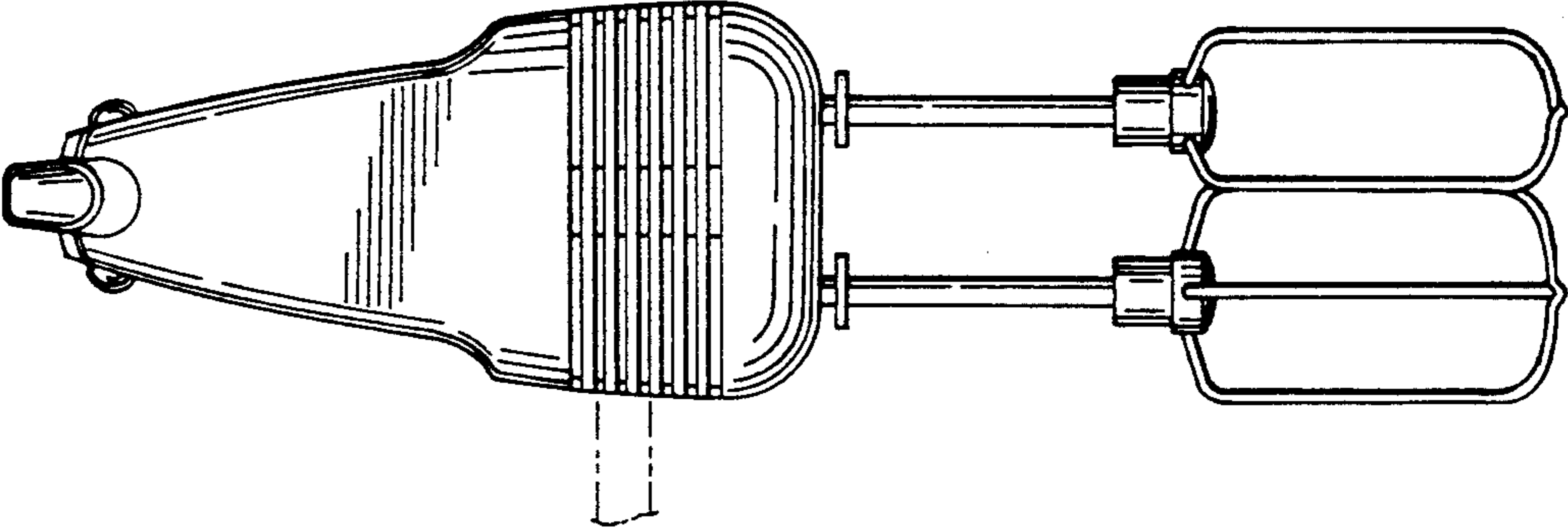


FIG. 6

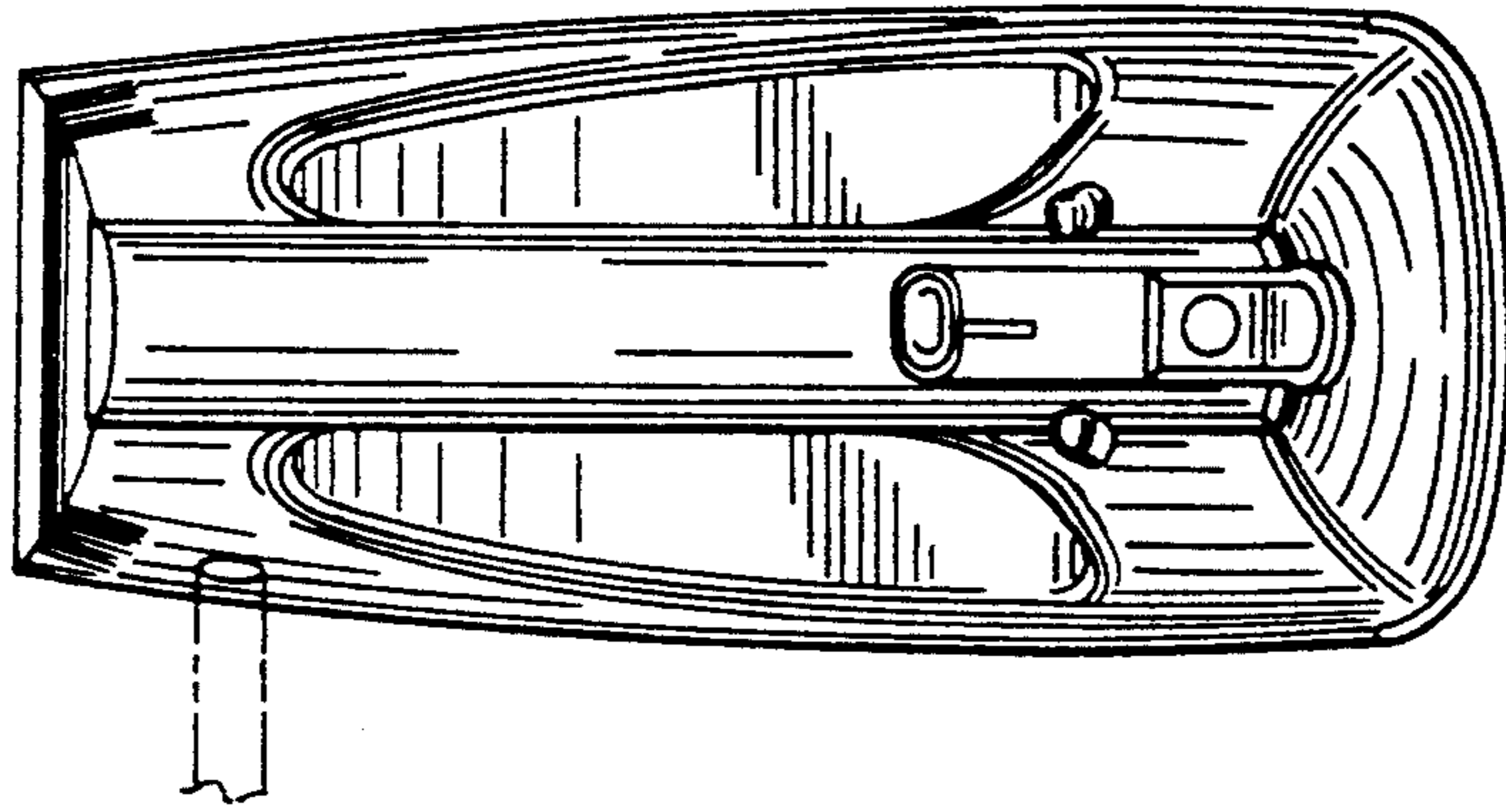


FIG. 7

