



US00D345887S

United States Patent [19] Heiberg

[11] Patent Number: **Des. 345,887**

[45] Date of Patent: **** Apr. 12, 1994**

[54] **KITCHEN IMPLEMENT**

[75] Inventor: **Jakob Heiberg**, Vesterfaelledvej,
Denmark

[73] Assignee: **Dart Industries, Inc.**, Deerfield, Ill.

[**] Term: **14 Years**

[21] Appl. No.: **755,216**

[22] Filed: **Sep. 4, 1991**

[52] U.S. Cl. **D7/376; D7/381;**
D7/688; D7/696; D32/46

[58] Field of Search **D7/376, 381, 688, 696;**
D3/40, 46; 15/236.01, 236.07, 236.08; 30/169,
172

[56] **References Cited**

U.S. PATENT DOCUMENTS

D. 199,962	1/1965	Peterson .	
D. 208,190	8/1967	Parry	D32/46
D. 221,244	7/1971	Lawrence	D32/46
D. 233,586	11/1974	Kopp	D32/46
D. 275,723	10/1984	Leininger	D7/696 X
D. 297,494	9/1988	Derting, Jr.	D7/688
975,599	11/1910	Bates	30/169

2,056,408	10/1936	Ohmer	30/172 X
2,253,116	8/1941	Findlay	15/236.08 X
3,178,747	4/1965	Peterson	15/236.1
3,545,081	12/1970	Butler	30/123

Primary Examiner—Alan P. Douglas
Assistant Examiner—Caron D. Veynar
Attorney, Agent, or Firm—John A. Doninger

[57] CLAIM

The ornamental design for a kitchen implement, as shown and described.

DESCRIPTION

FIG. 1 is a perspective view of a kitchen implement showing the new design;
FIG. 2 is a top plan view thereof;
FIG. 3 is a side view thereof;
FIG. 4 is a bottom plan view thereof;
FIG. 5 is a side view thereof opposite the side of FIG. 3;
FIG. 6 is a front end view thereof;
FIG. 7 is a rear end view thereof;
FIG. 8 is an enlarged cross-sectional view thereof taken on the plane of line 8—8 in FIG. 1; and,
FIG. 9 is an enlarged transverse cross-sectional view thereof taken on the plane of line 9—9 in FIG. 8.

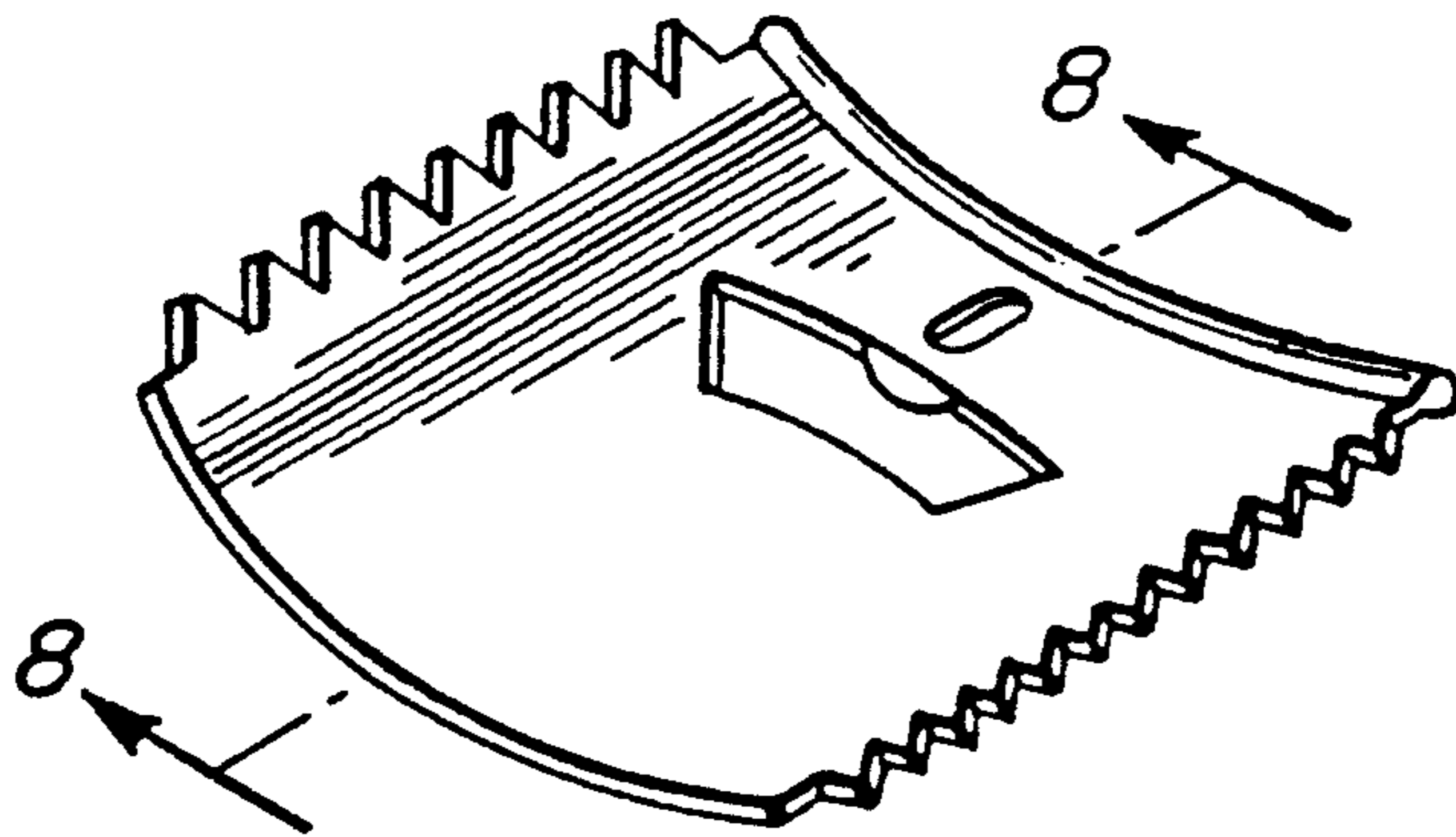


FIG. 1

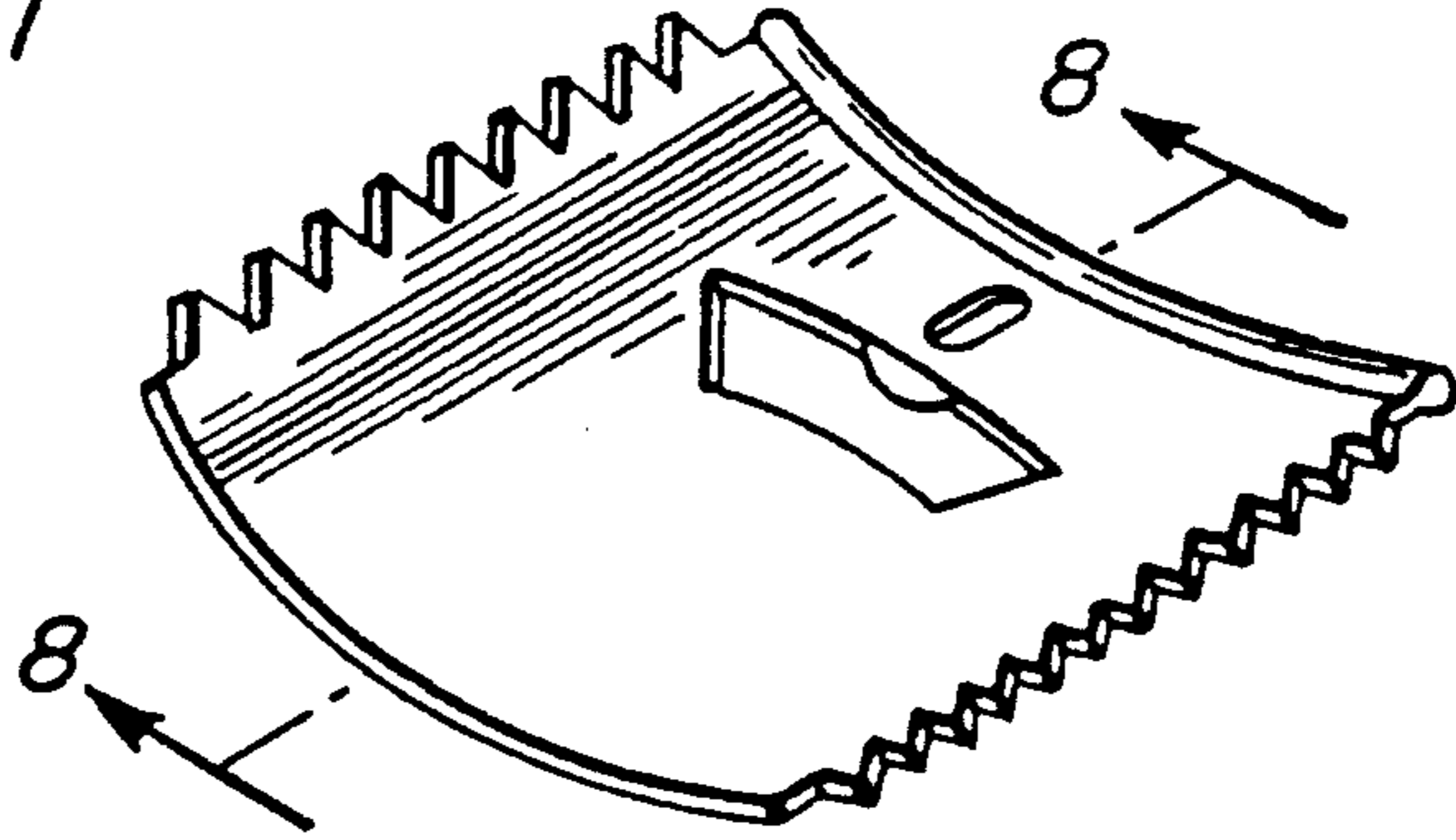


FIG. 2

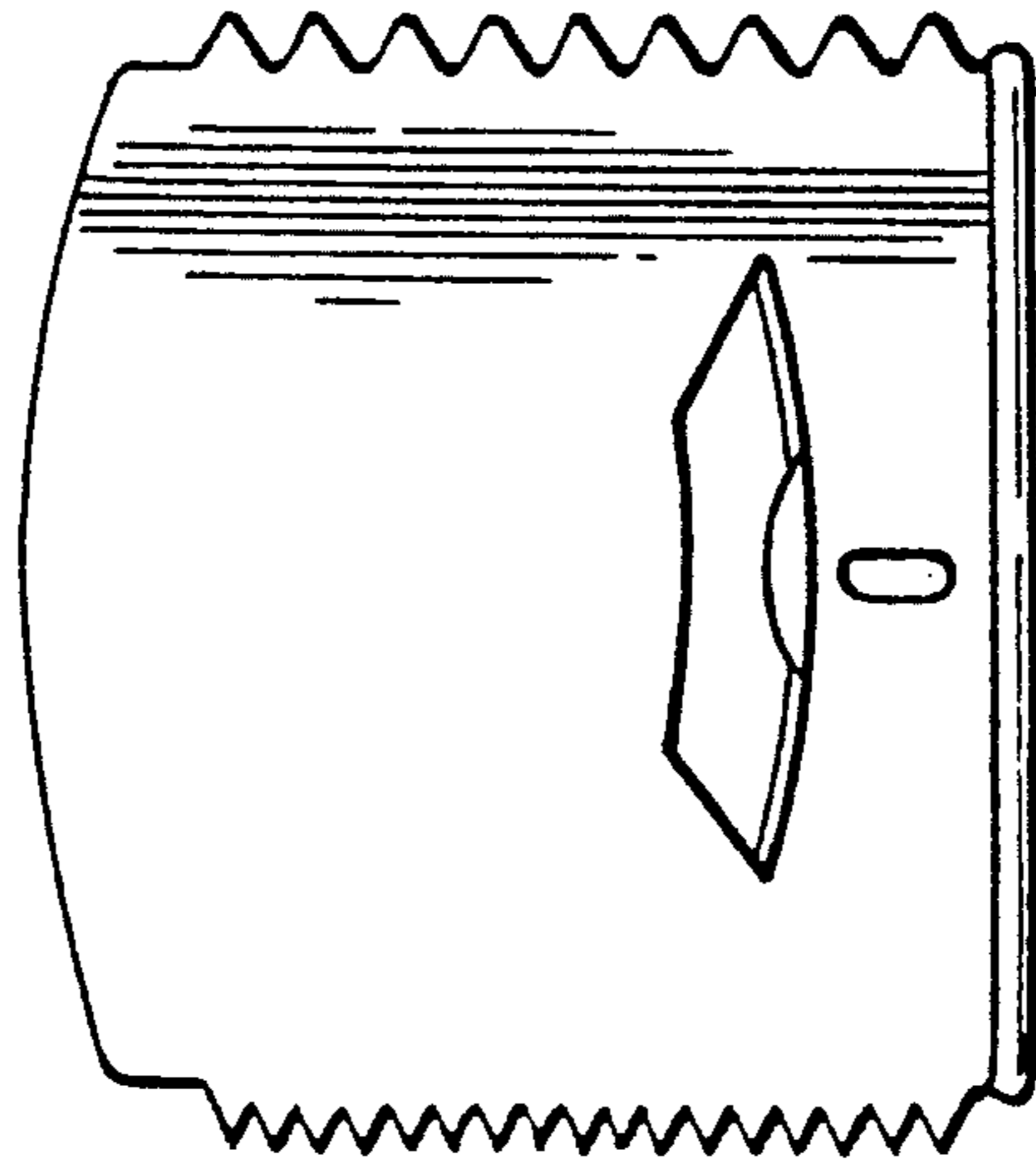


FIG. 3

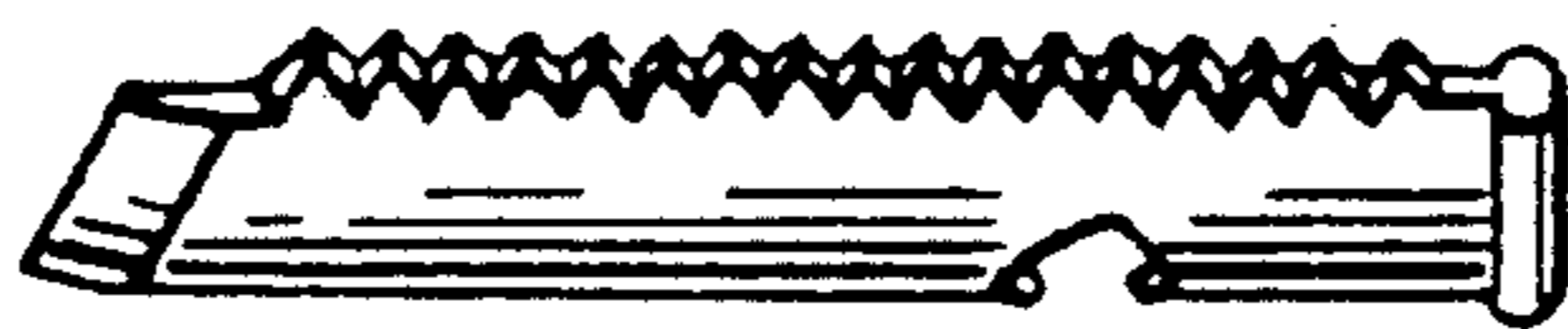


FIG. 4

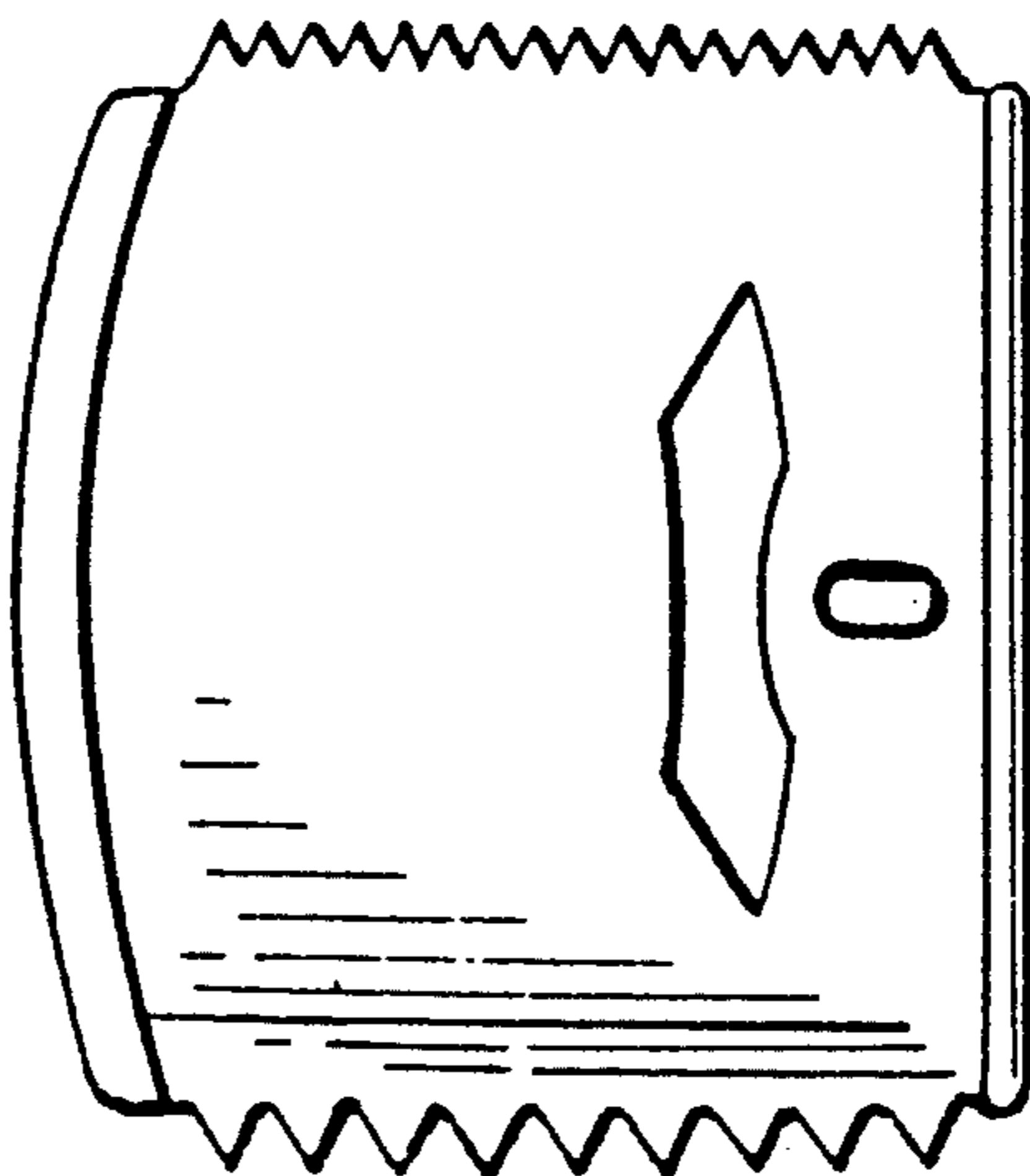


FIG. 5



FIG. 6



FIG. 7



FIG. 8

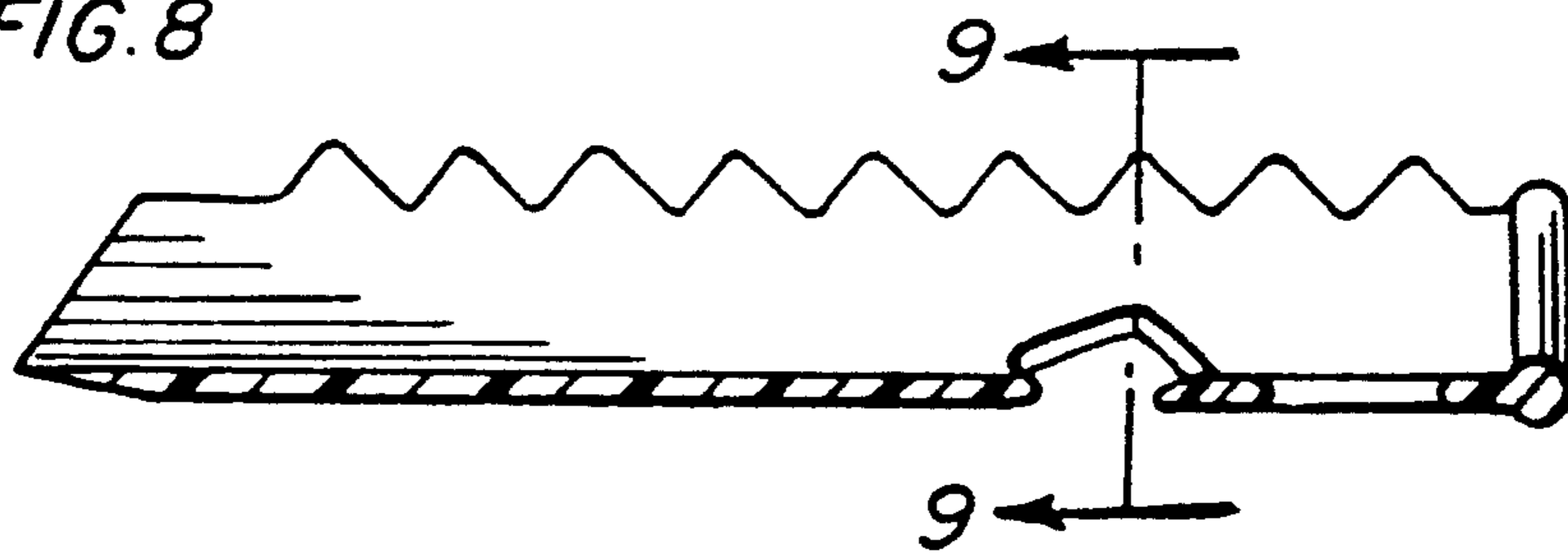


FIG. 9

