



US00D345886S

United States Patent [19]

[11] Patent Number: **Des. 345,886**

Gingele

[45] Date of Patent: **** Apr. 12, 1994**

[54] **COOKING POT**

[56] **References Cited**

U.S. PATENT DOCUMENTS

[75] Inventor: **Thomas Gingele,**
Simmersfeld-Ettmannsweiler, Fed.
Rep. of Germany

D. 232,148 7/1974 Yarrington D7/360
D. 263,270 3/1982 Pauty D7/358
D. 329,570 9/1992 Gerlach D7/354 X

[73] Assignee: **Fissler GmbH, Idar-Oberstein, Fed.**
Rep. of Germany

Primary Examiner—Alan P. Douglas
Assistant Examiner—Caron D. Veynar
Attorney, Agent, or Firm—Wenderoth, Lind & Ponack

[**] Term: **14 Years**

[57] **CLAIM**

The ornamental design for a cooking pot, as shown.

[21] Appl. No.: **900,936**

DESCRIPTION

[22] Filed: **Jun. 17, 1992**

FIG. 1 is a top front perspective view of a cooking pot showing my new design;

[30] **Foreign Application Priority Data**

Dec. 27, 1991 [DE] Fed. Rep. of Germany M 91 09
048.2

FIG. 2 is a rear elevational view thereof;

FIG. 3 is a front elevational view thereof;

FIG. 4 is a left side elevational view thereof;

FIG. 5 is a right side elevational view thereof;

FIG. 6 is a top plan view thereof;

FIG. 7 is a bottom plan view thereof;

FIG. 8 is an enlarged partial top, front and left side perspective view thereof; and,

FIG. 9 is an enlarged partial top, rear and right side perspective view thereof.

[52] U.S. Cl. **D7/360; D7/354;**
D7/358

[58] Field of Search **D7/323, 354, 358, 360,**
D7/391-392.1; 220/912; 99/324, 336, 403

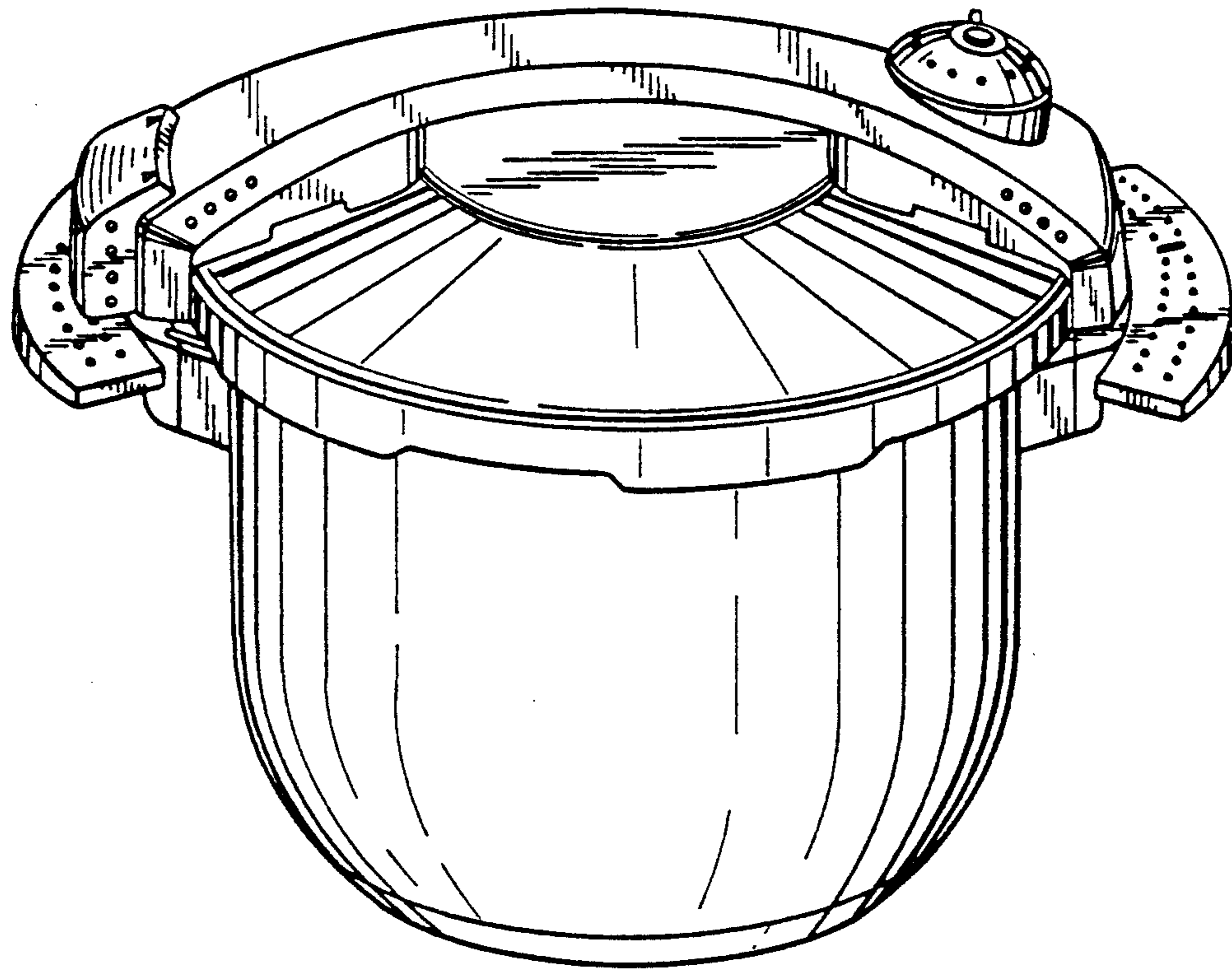


FIG. 1

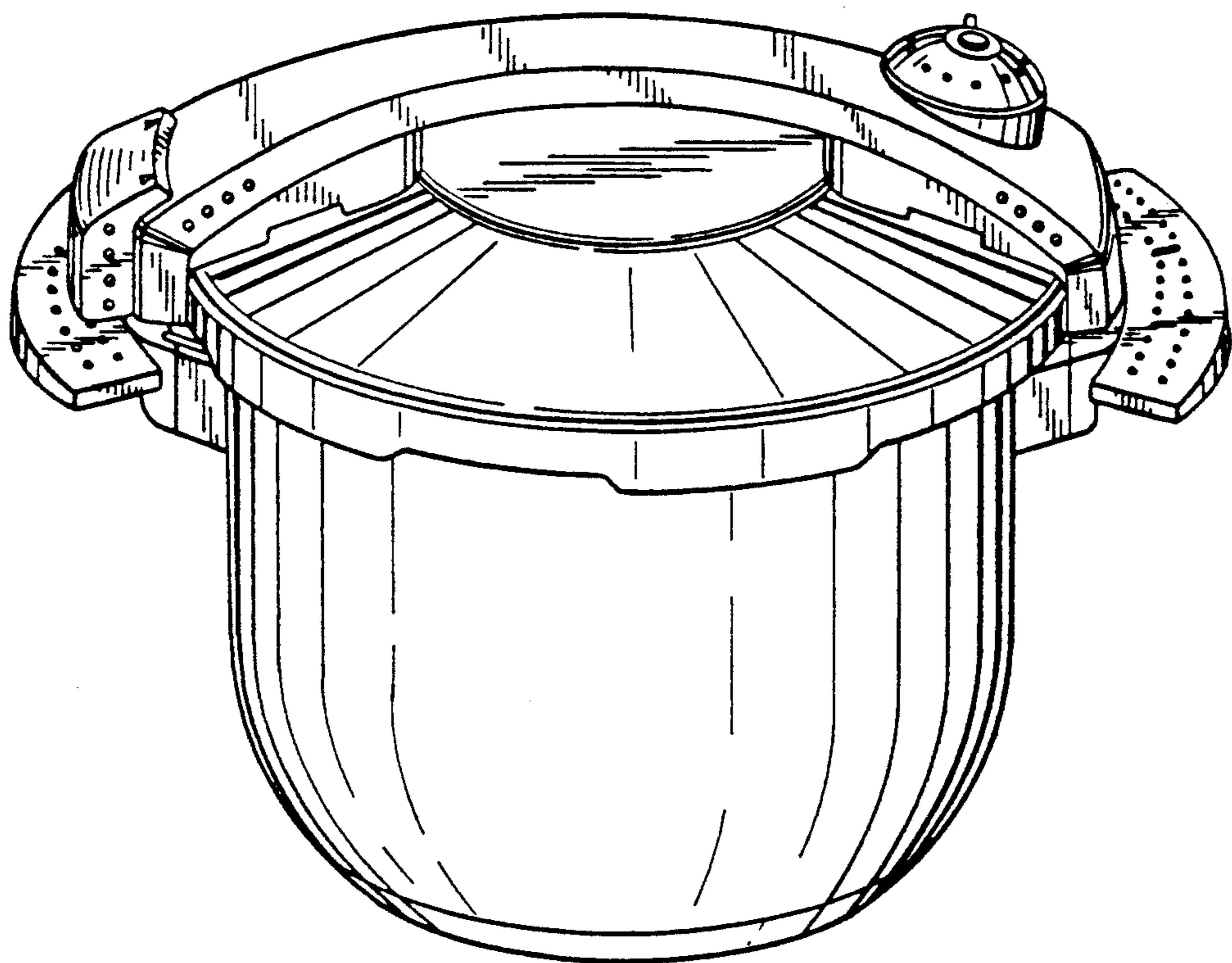


FIG. 2

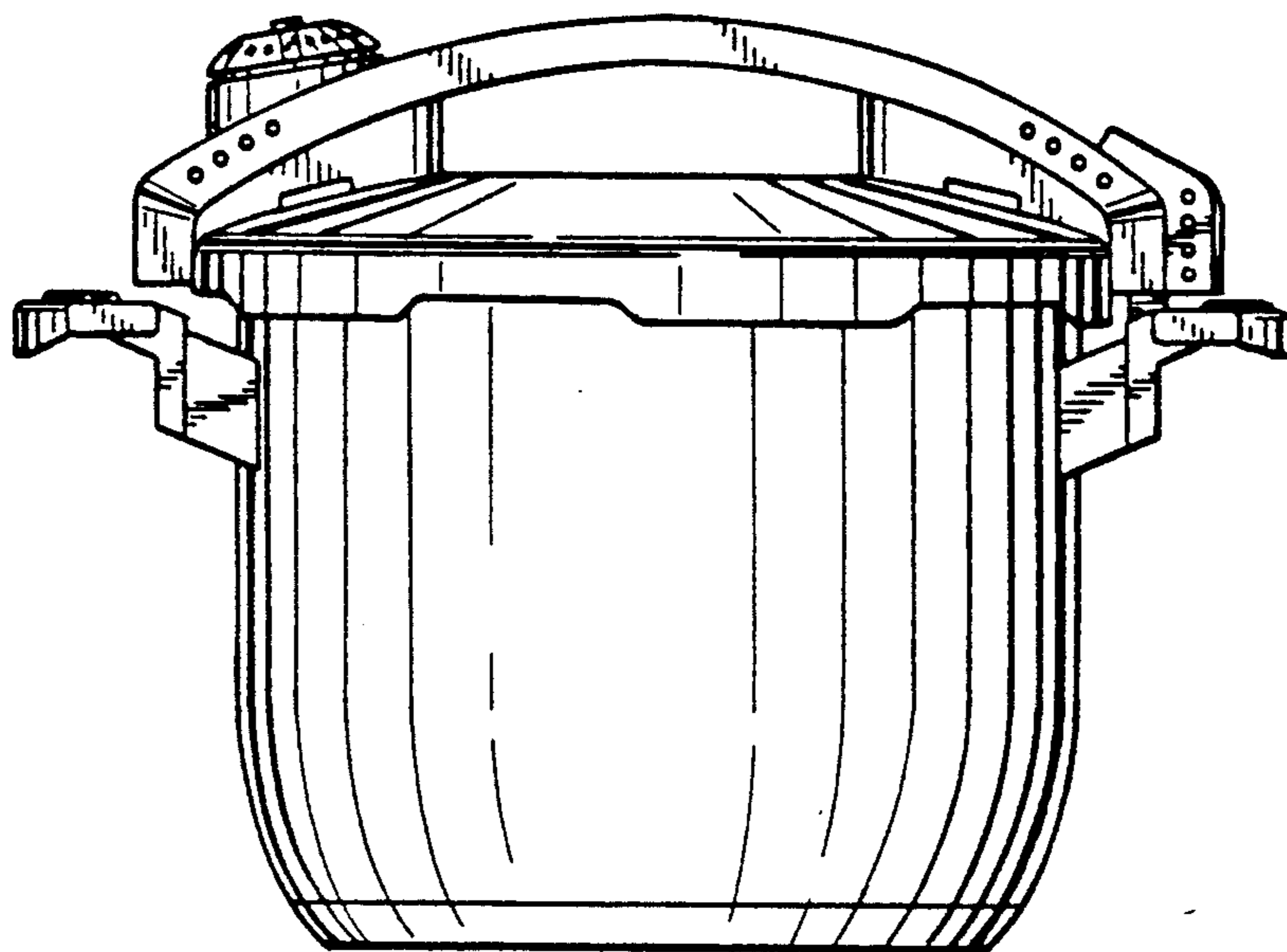


FIG. 3

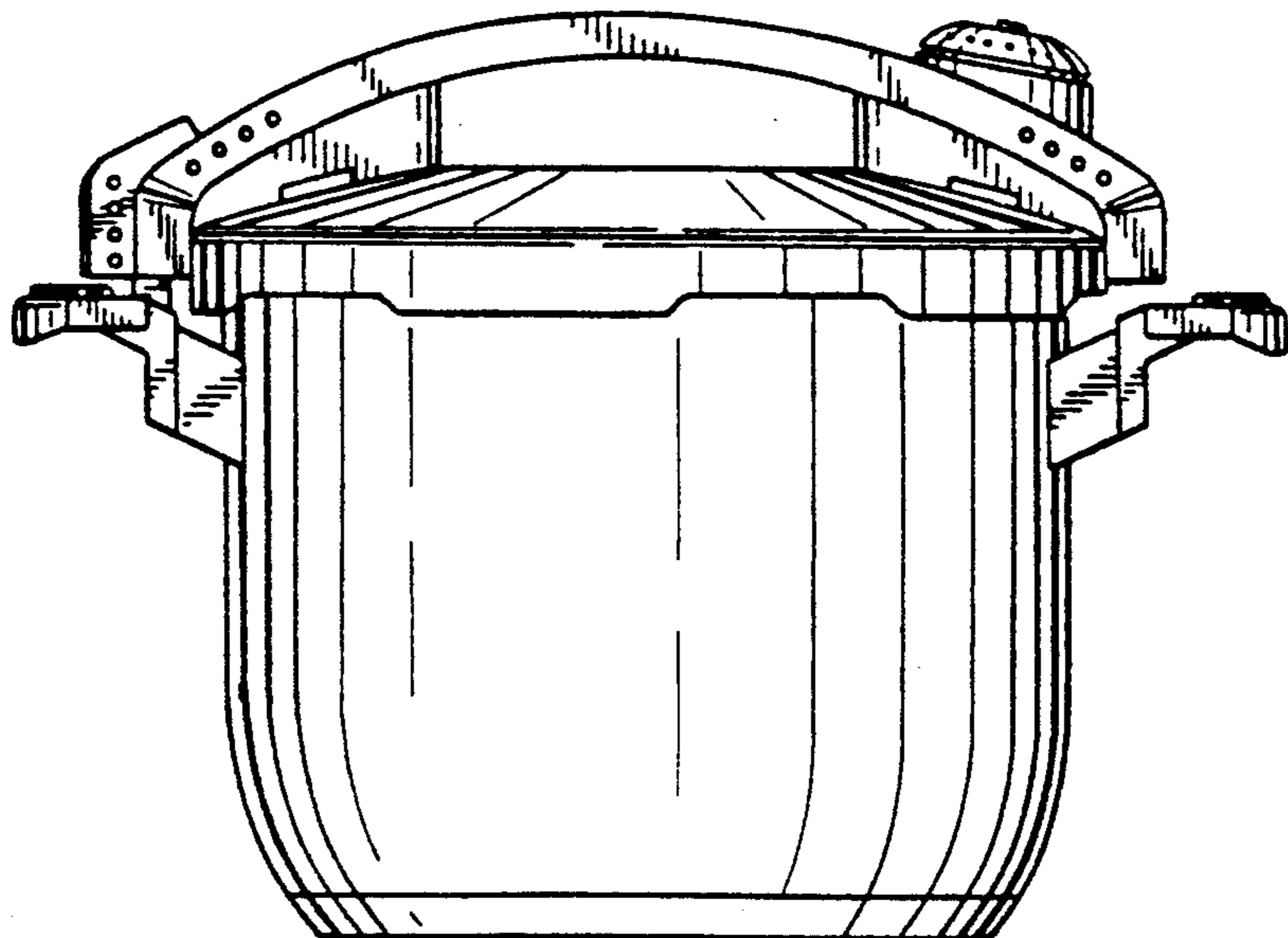


FIG. 4

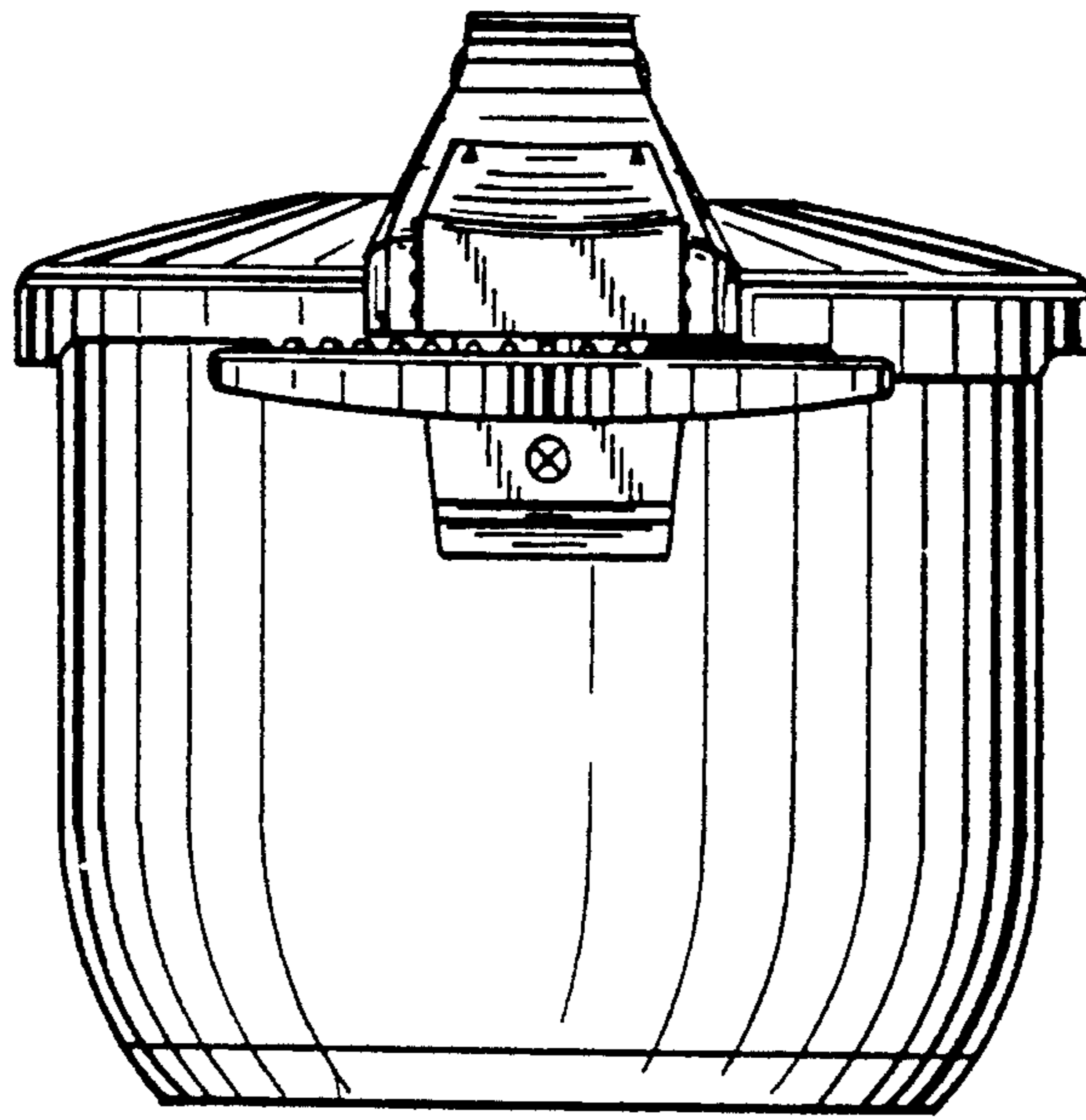


FIG. 5

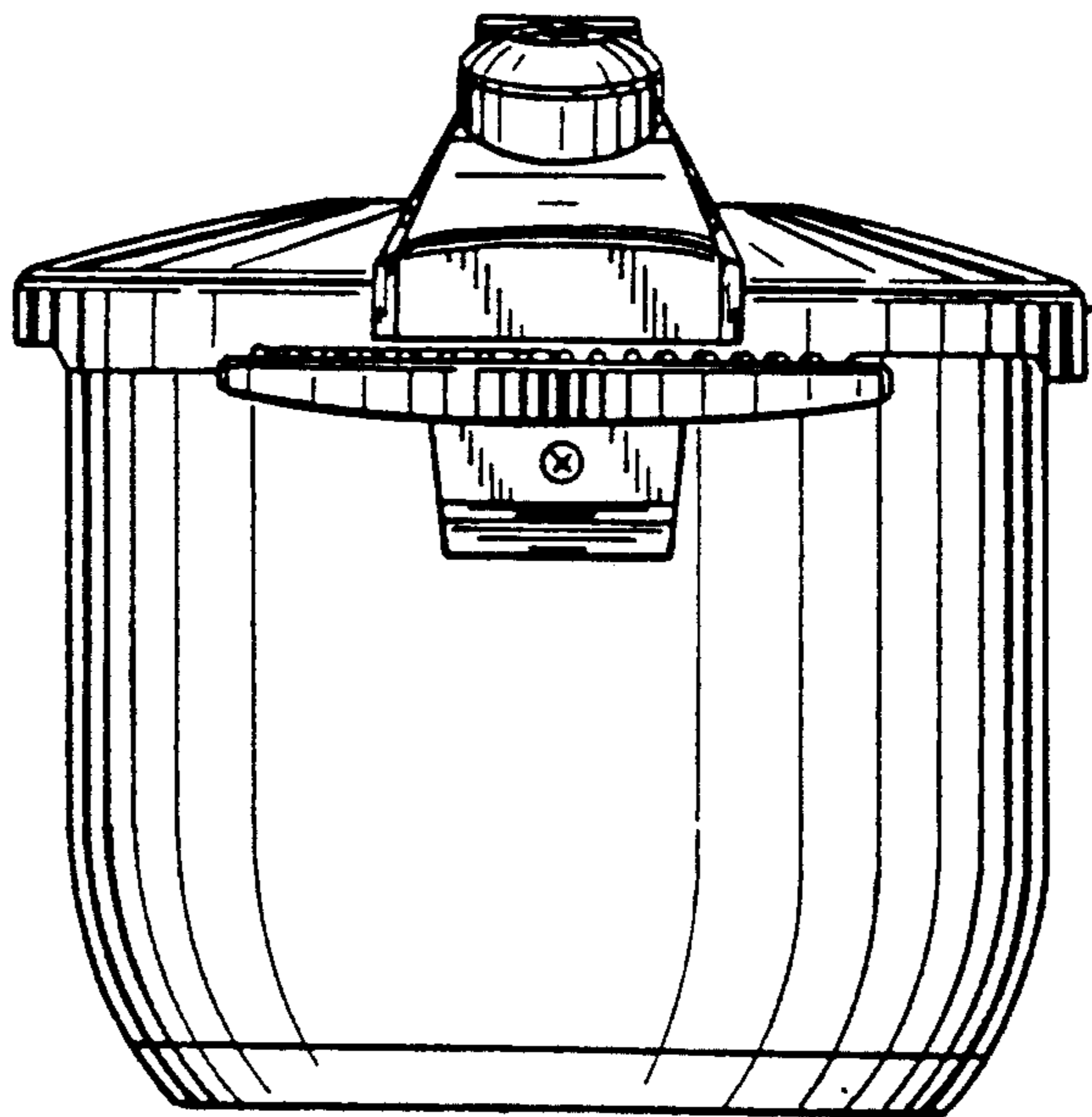


FIG. 6

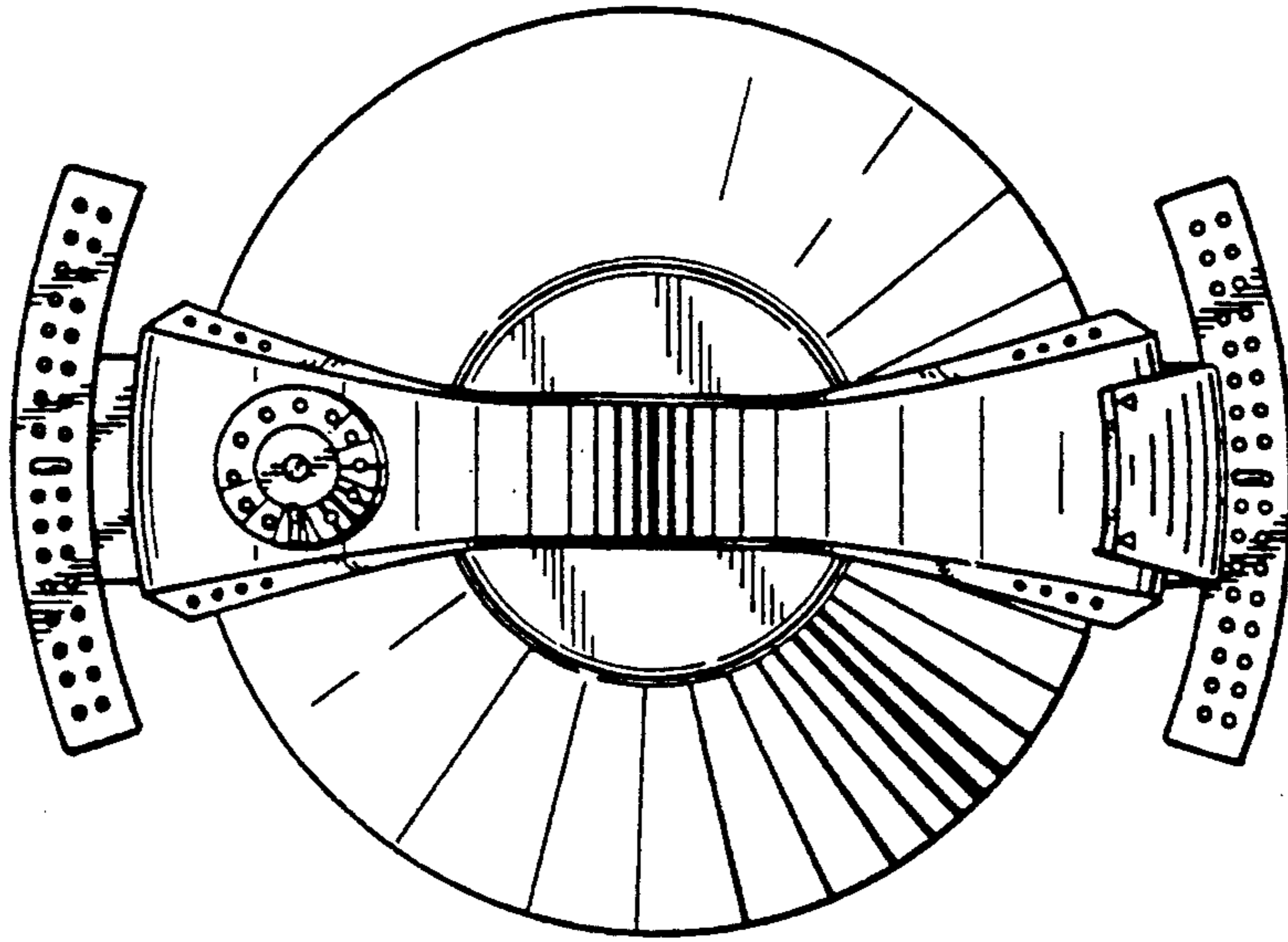


FIG. 7

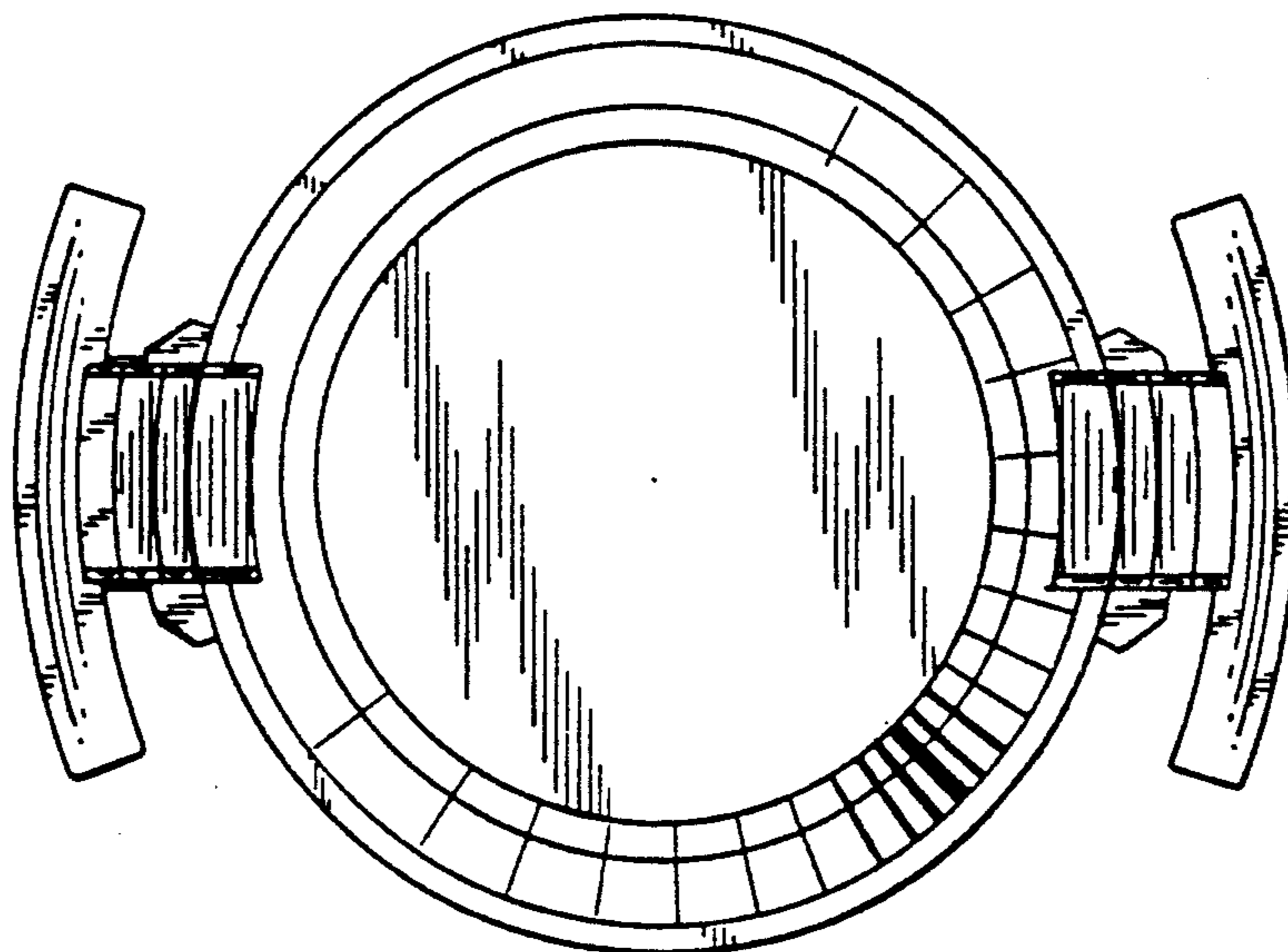


FIG. 8

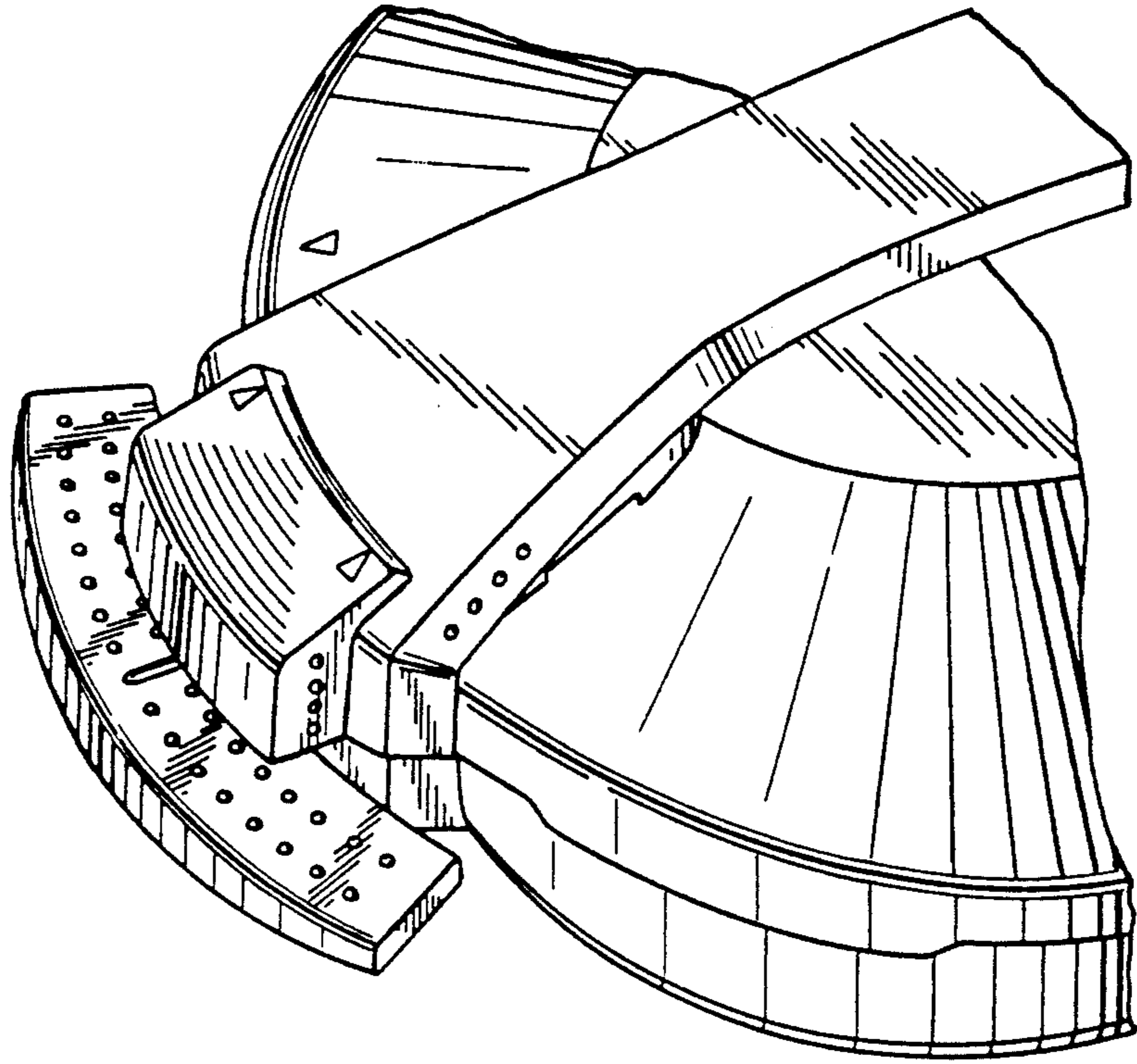


FIG. 9

