



US00D345885S

United States Patent [19]

[11] Patent Number: **Des. 345,885**

Bannigan

[45] Date of Patent: **** Apr. 12, 1994**

- [54] **YOGHURT MAKER**
- [75] Inventor: **Francis R. Bannigan**, Huntingdale, Australia
- [73] Assignee: **Kambrook Distributing Pty. Ltd.**, Australia
- [**] Term: **14 Years**
- [21] Appl. No.: **908,009**
- [22] Filed: **Jul. 1, 1992**
- [52] U.S. Cl. **D7/323; D7/376; D7/381**
- [58] Field of Search **D7/323, 679, 372-374, D7/376, 381, 384, 383; 99/359, 367, 448, 452, 453**

- D. 262,975 2/1982 Garriga D7/679
- D. 284,252 6/1986 Lichtenvort D7/679
- D. 305,396 1/1990 Weller D7/347
- 4,195,561 4/1980 Castanis 99/453

OTHER PUBLICATIONS

Better Homes & Gardens, Dec. 1975, p. 214, "Braun Coffee Grinder".

Primary Examiner—Ruth McInroy
Attorney, Agent, or Firm—Andrus, Scales, Starke & Sawall

[57] CLAIM

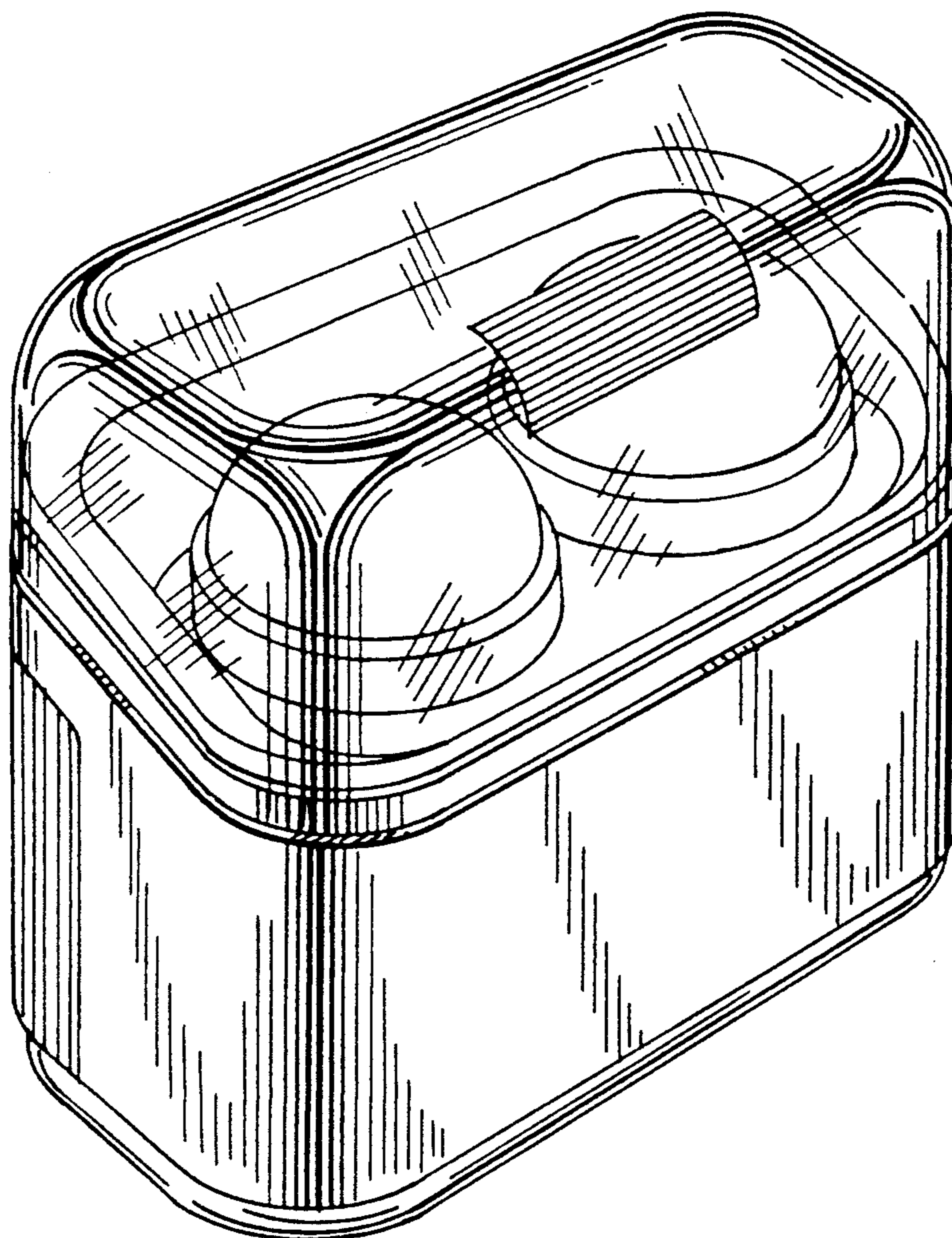
The ornamental design for a yoghurt maker, as shown.

DESCRIPTION

FIG. 1 is a right side elevational view of a yoghurt maker showing my new design; FIG. 2 is a top plan view thereof; FIG. 3 is a front elevational view thereof; FIG. 4 is a bottom, rear perspective view thereof; and, FIG. 5 is a top, front perspective view thereof.

[56] References Cited U.S. PATENT DOCUMENTS

- D. 96,679 8/1935 Kopf D7/372
- D. 218,256 8/1970 Rams D7/373
- D. 253,157 10/1979 Dziekonski D7/372



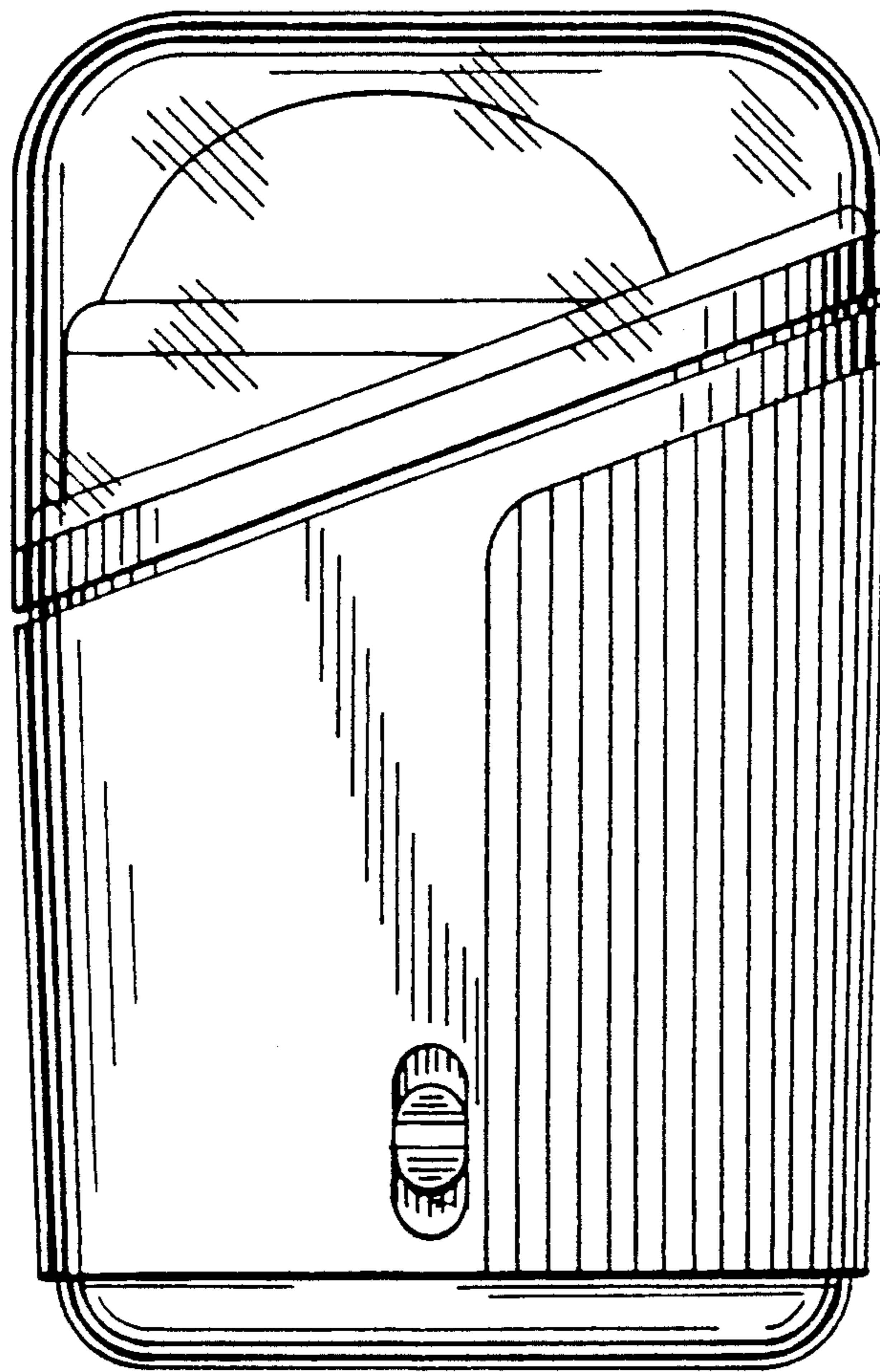


FIG. 1

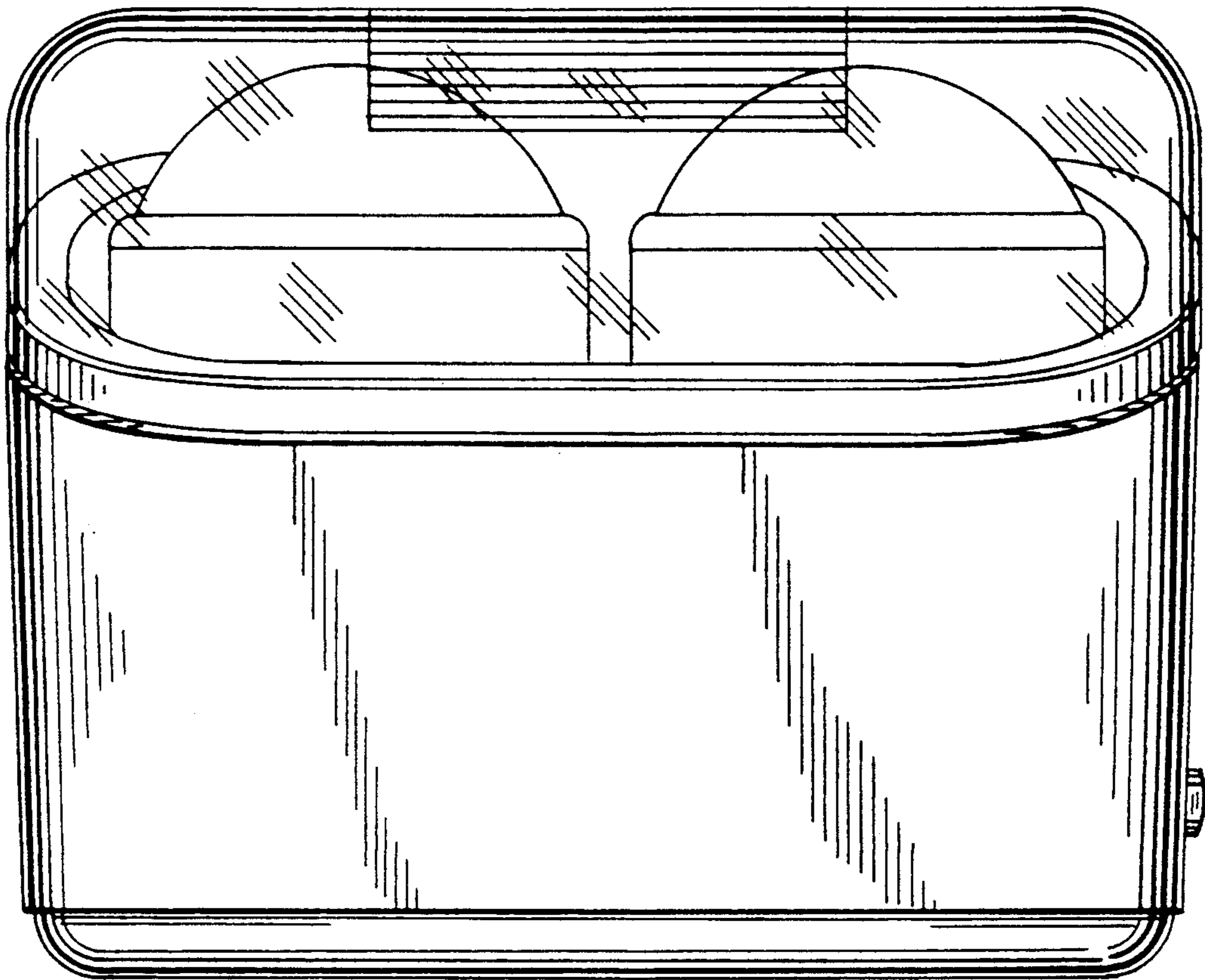


FIG. 3

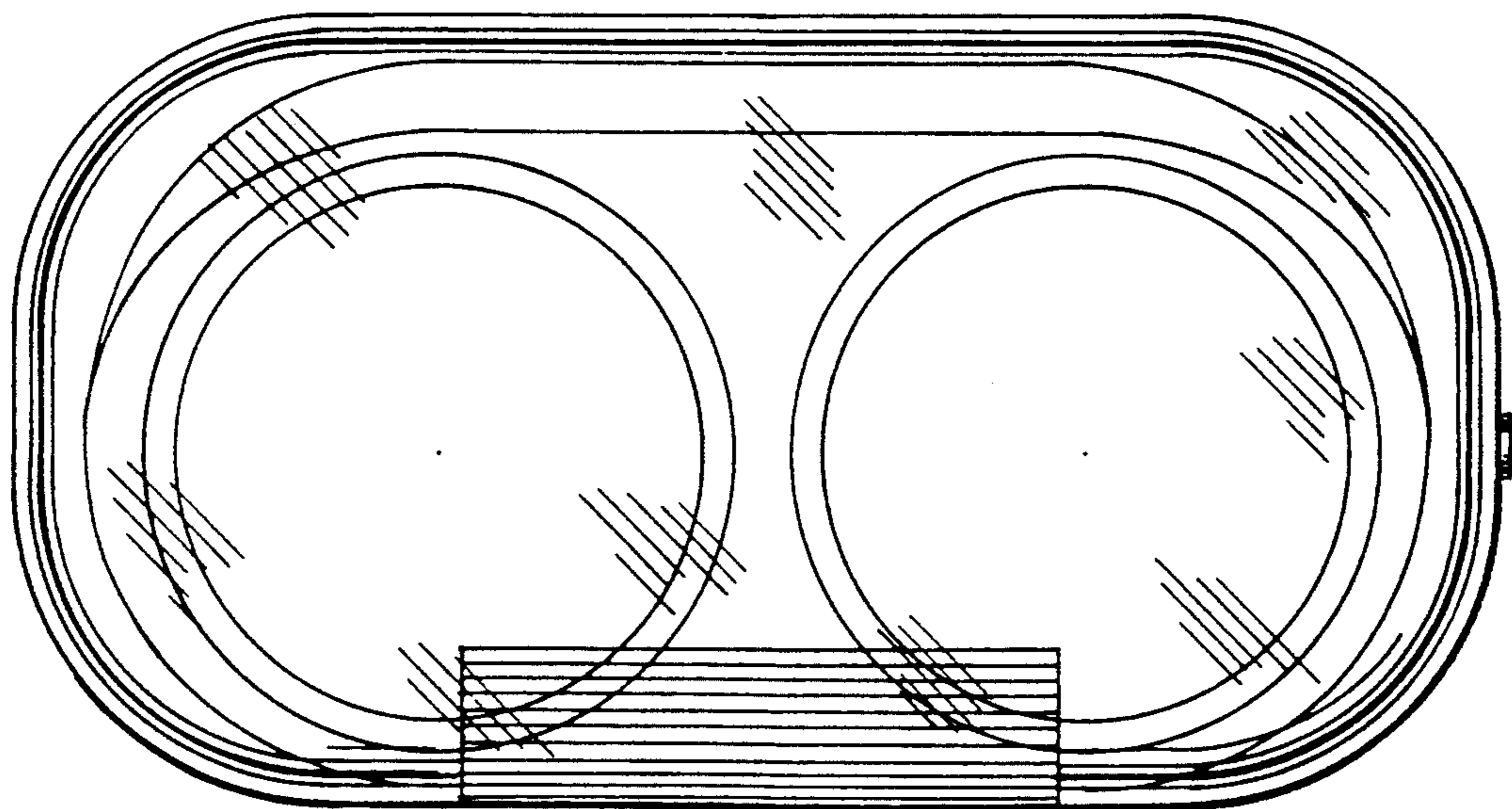


FIG. 2

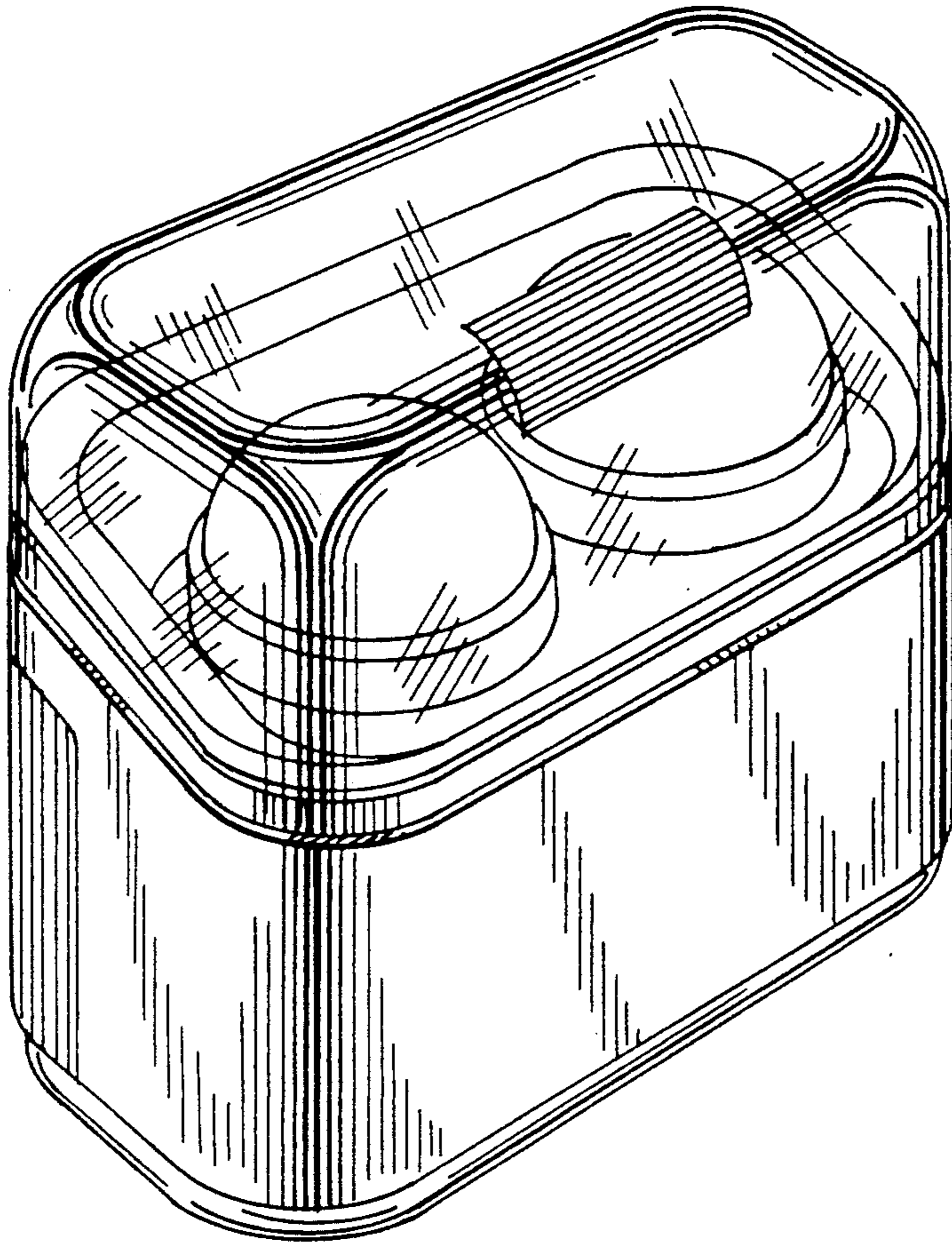


FIG. 5

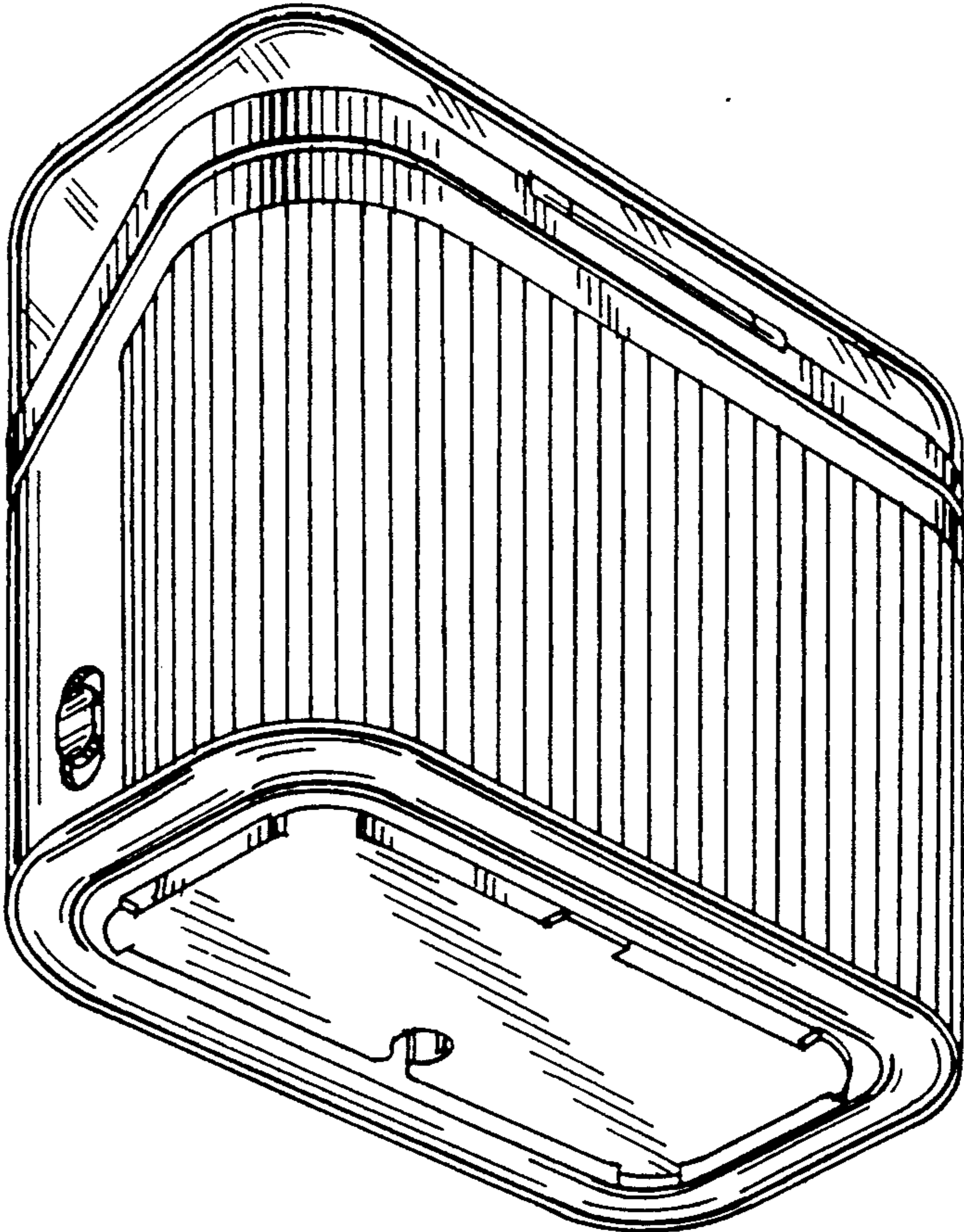


FIG. 4