



US00D345884S

# United States Patent [19]

[11] Patent Number: **Des. 345,884**

Rossari

[45] Date of Patent: **\*\* Apr. 12, 1994**

[54] **KETTLE**

[75] Inventor: **Ambrogio Rossari, Milan, Italy**

[73] Assignee: **Fratelli Cuzzini S.p.A., Recanati, Italy**

[\*\*] Term: **14 Years**

[21] Appl. No.: **927,815**

[22] Filed: **Aug. 10, 1992**

[30] **Foreign Application Priority Data**

Feb. 13, 1992 [IT] Italy ..... M1920 00078

[52] U.S. Cl. .... **D7/318; D7/316; D7/317**

[58] **Field of Search** ..... **D7/300, 301, 302, 303, D7/312, 316, 317, 318, 319, 321, 322, 602, 619, 628; 222/465.1, 469, 470, 471, 475.1; 99/275, 279, 292; 220/769**

[56] **References Cited**

**U.S. PATENT DOCUMENTS**

D. 178,658 9/1956 Guild et al. .... D7/321  
D. 295,940 5/1988 Bellini ..... D7/319 X

D. 311,110 10/1990 Hess ..... D7/302  
D. 312,942 12/1990 Huang ..... D7/303  
D. 313,529 1/1991 Bormioli ..... D7/317  
3,516,380 6/1970 Hester ..... D7/312 X

**OTHER PUBLICATIONS**

Kanne "Skorpion" by Lars Hakansson Jan. 1984 p. 50  
Goldschmiede Zeitung.

Teapot w/Handle Curving Upward, "Form" Jan. 1985,  
p. 45.

*Primary Examiner*—Alan P. Douglas

*Assistant Examiner*—M. N. Pandozzi

*Attorney, Agent, or Firm*—Hedman, Gibson & Costigan

[57] **CLAIM**

The ornamental design for a kettle, as shown and described.

**DESCRIPTION**

FIG. 1 is a plan view showing my new design;

FIG. 2 is a bottom plan view thereof;

FIG. 3 is a front elevation view thereof;

FIG. 4 is a side elevation view thereof; and,

FIG. 5 is a rear elevation view thereof.

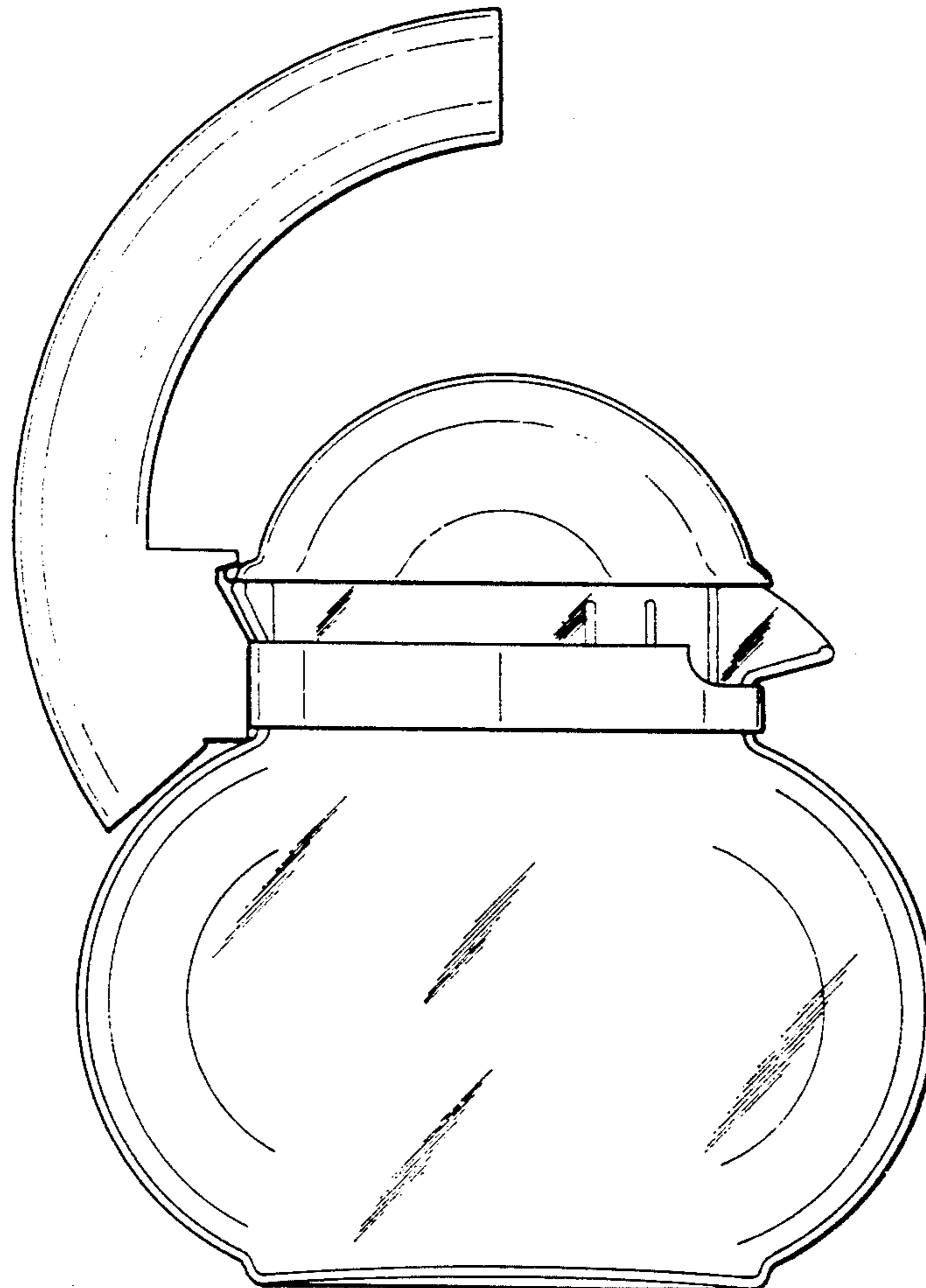


Fig.1

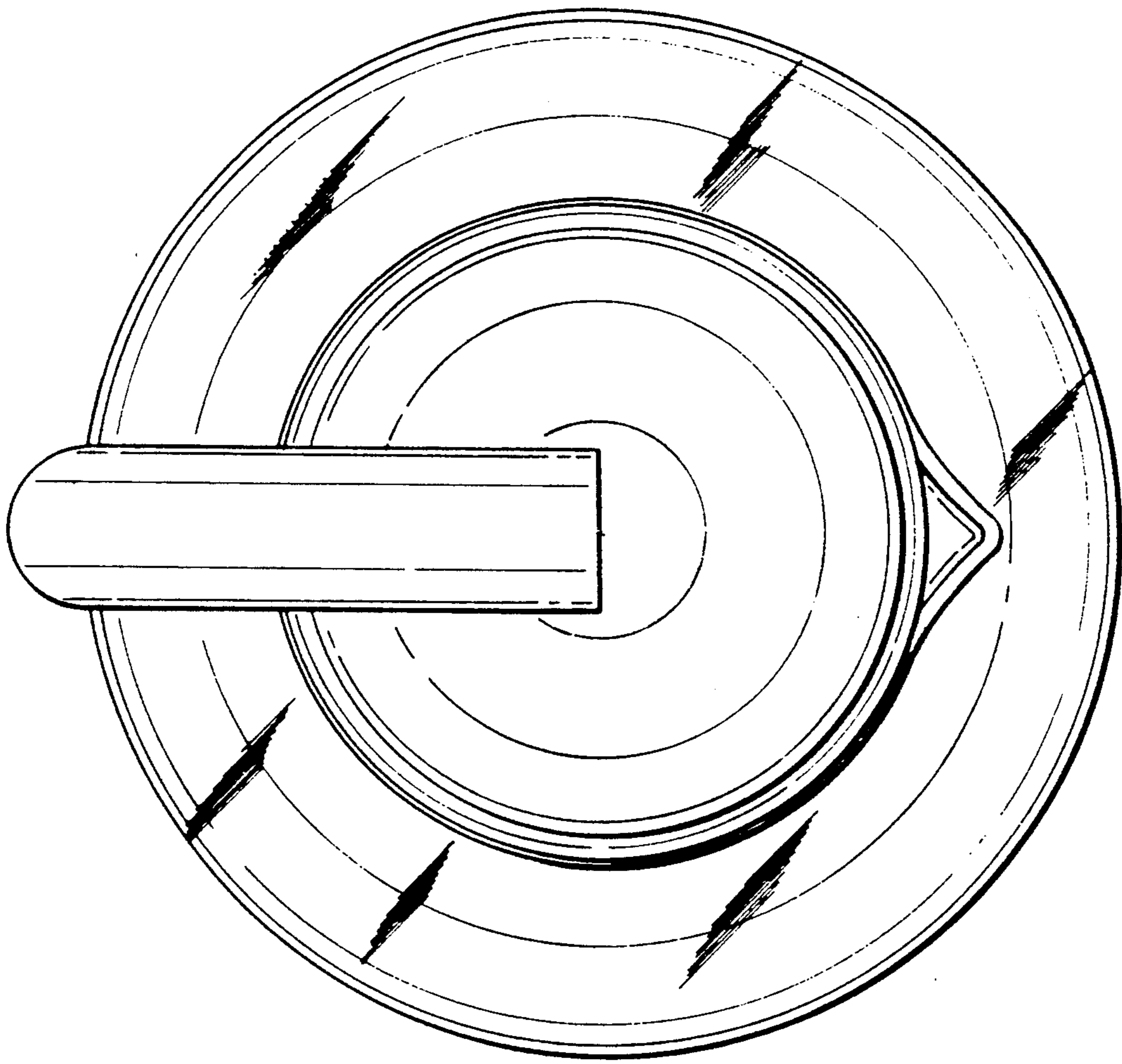
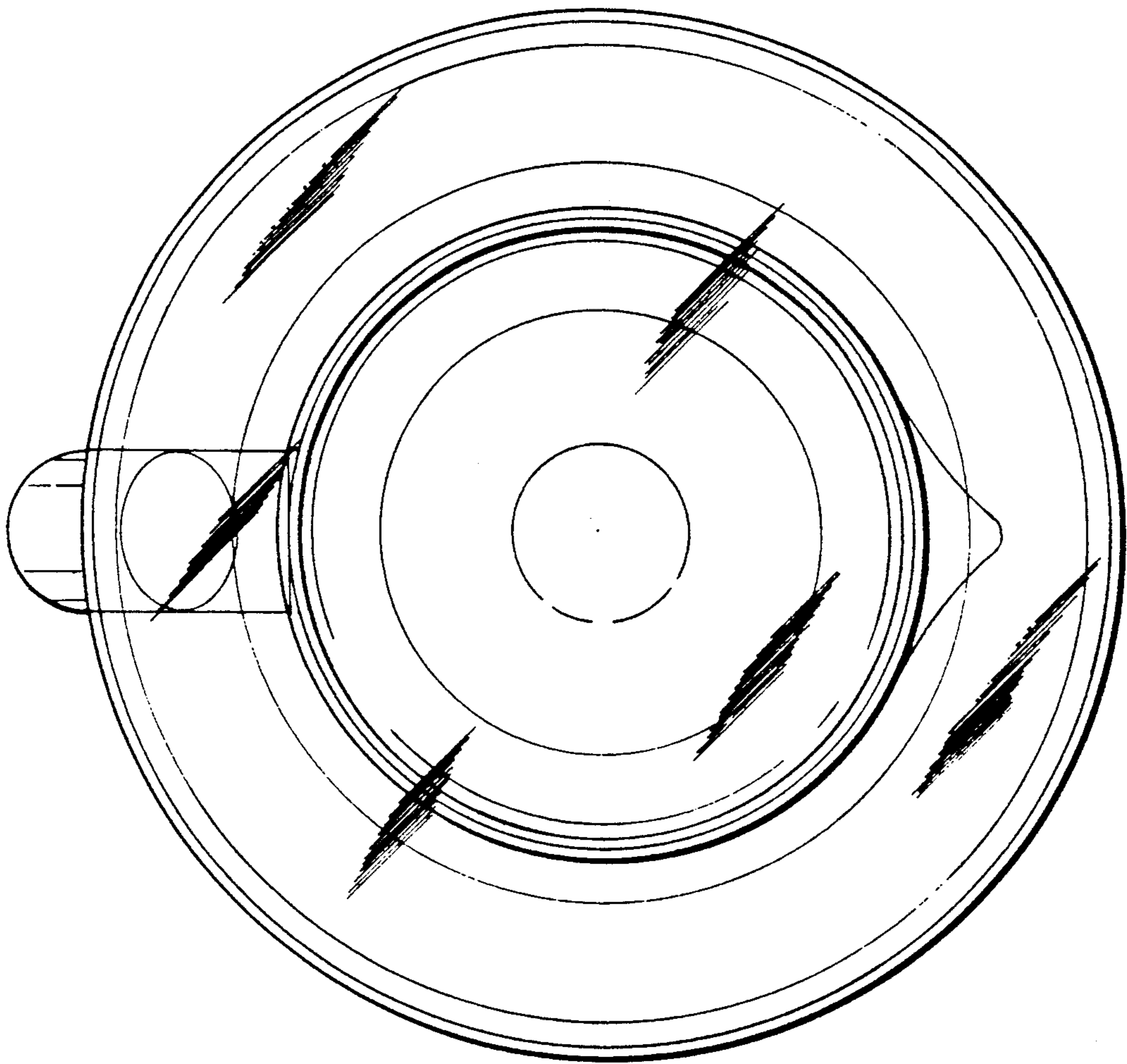
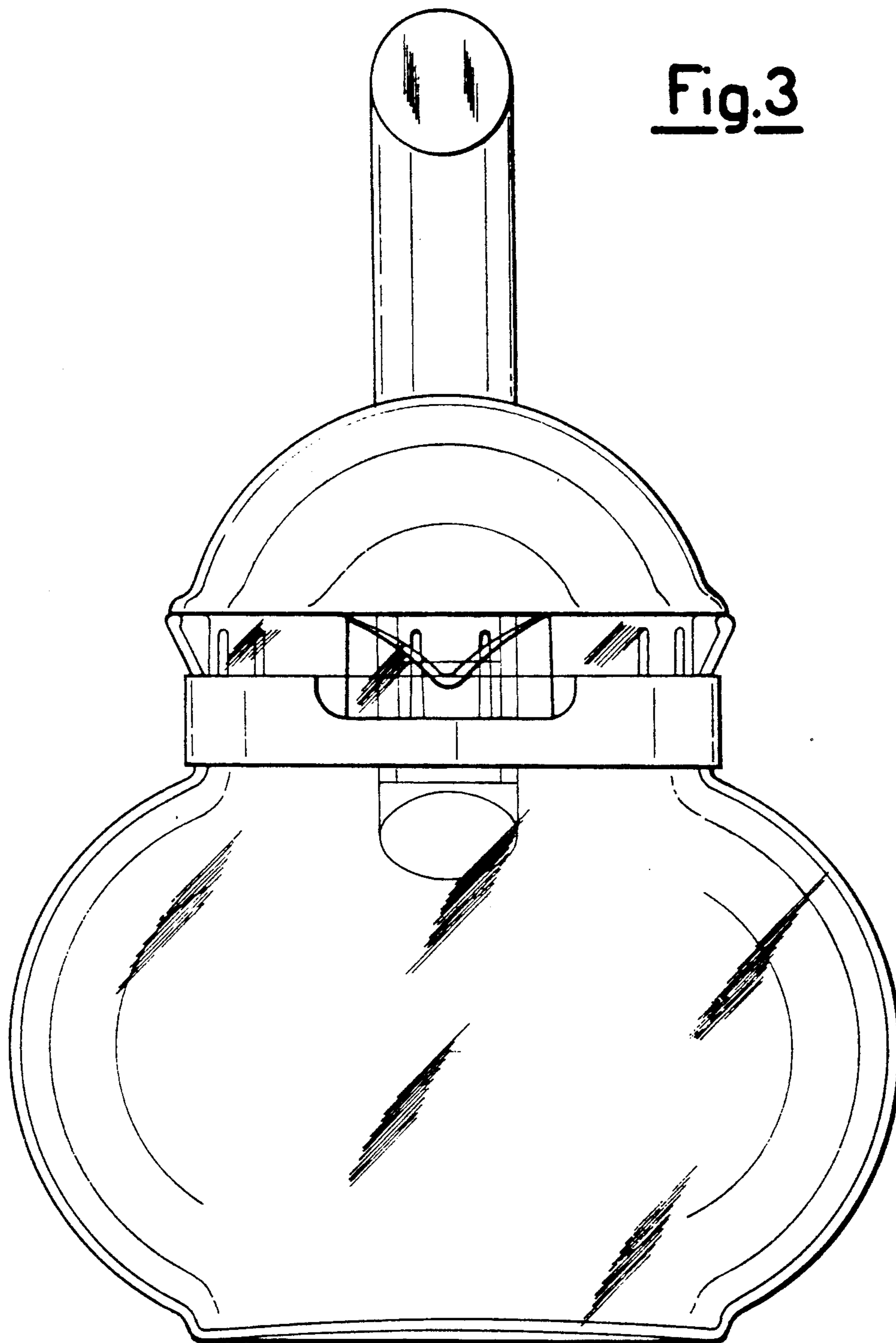


Fig.2





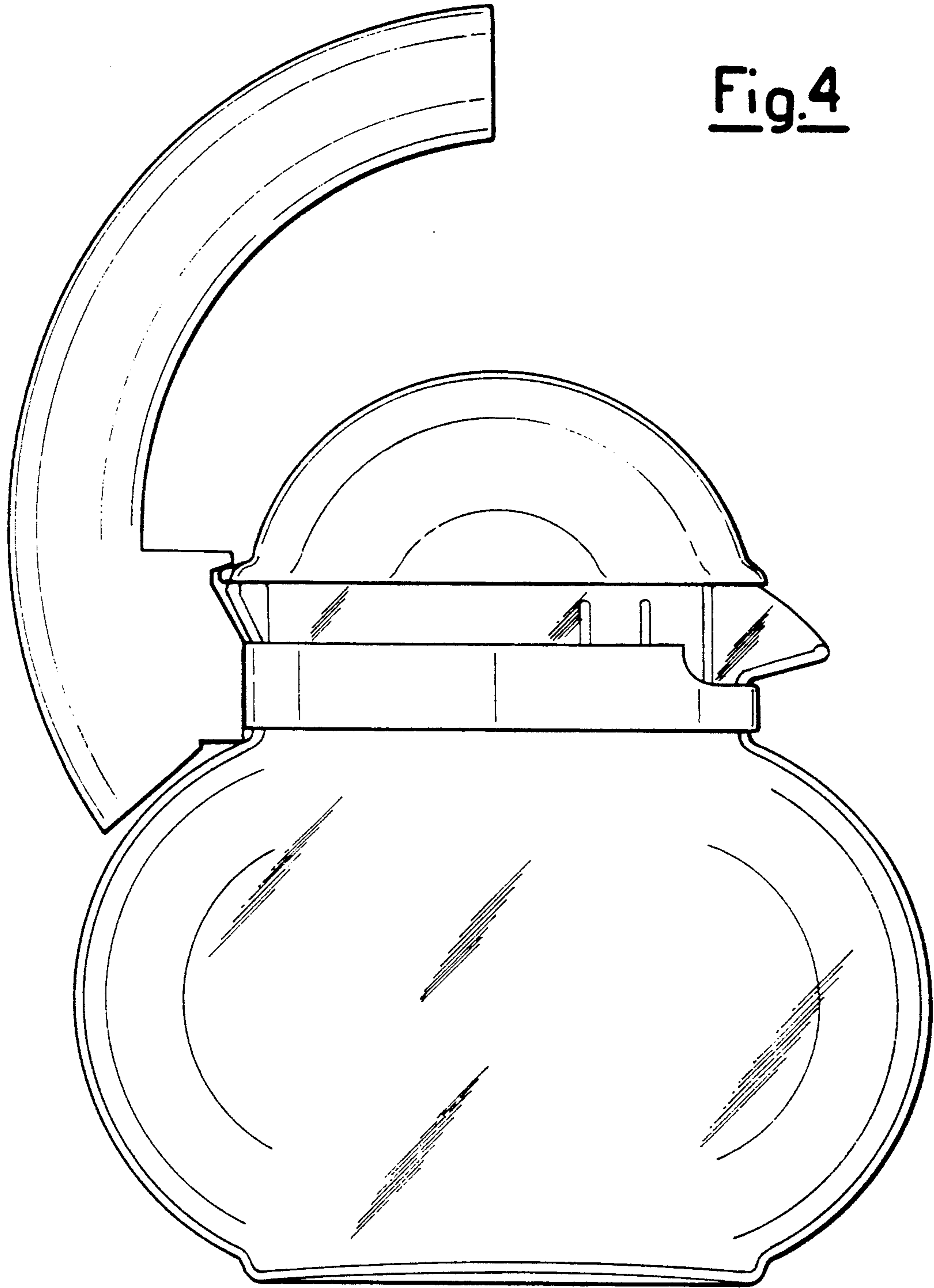


Fig. 4

Fig. 5

