



US00D345883S

United States Patent [19]
Maass

[11] **Patent Number: Des. 345,883**
[45] **Date of Patent: ** Apr. 12, 1994**

[54] **COFFEE MAKING MACHINE**
[75] **Inventor: Rudolf Maass, Solingen, Fed. Rep. of Germany**
[73] **Assignee: Robert Krups GmbH. & Co. KG, Solingen, Fed. Rep. of Germany**
[**] **Term: 14 Years**
[21] **Appl. No.: 847,814**
[22] **Filed: Mar. 6, 1992**

D. 316,004 4/1991 Eugster D7/309
D. 317,099 5/1991 Micoley D7/309
D. 317,996 7/1991 Jack D7/309
D. 328,217 7/1992 Beeren D7/309

OTHER PUBLICATIONS

Cafe Cino by Philips, HFD p. 120 Apr. 6, 1987.

Primary Examiner—Alan P. Douglas
Assistant Examiner—M. N. Pandozzi
Attorney, Agent, or Firm—Darby & Darby

[30] **Foreign Application Priority Data**
Oct. 25, 1991 [XH] Hague DM/020977
[52] **U.S. Cl. D7/309; D7/310; D7/311**
[58] **Field of Search D7/300, 309, 310, 311, D7/312, 316, 317, 321, 602, 619; 99/293, 279, 295, 300**

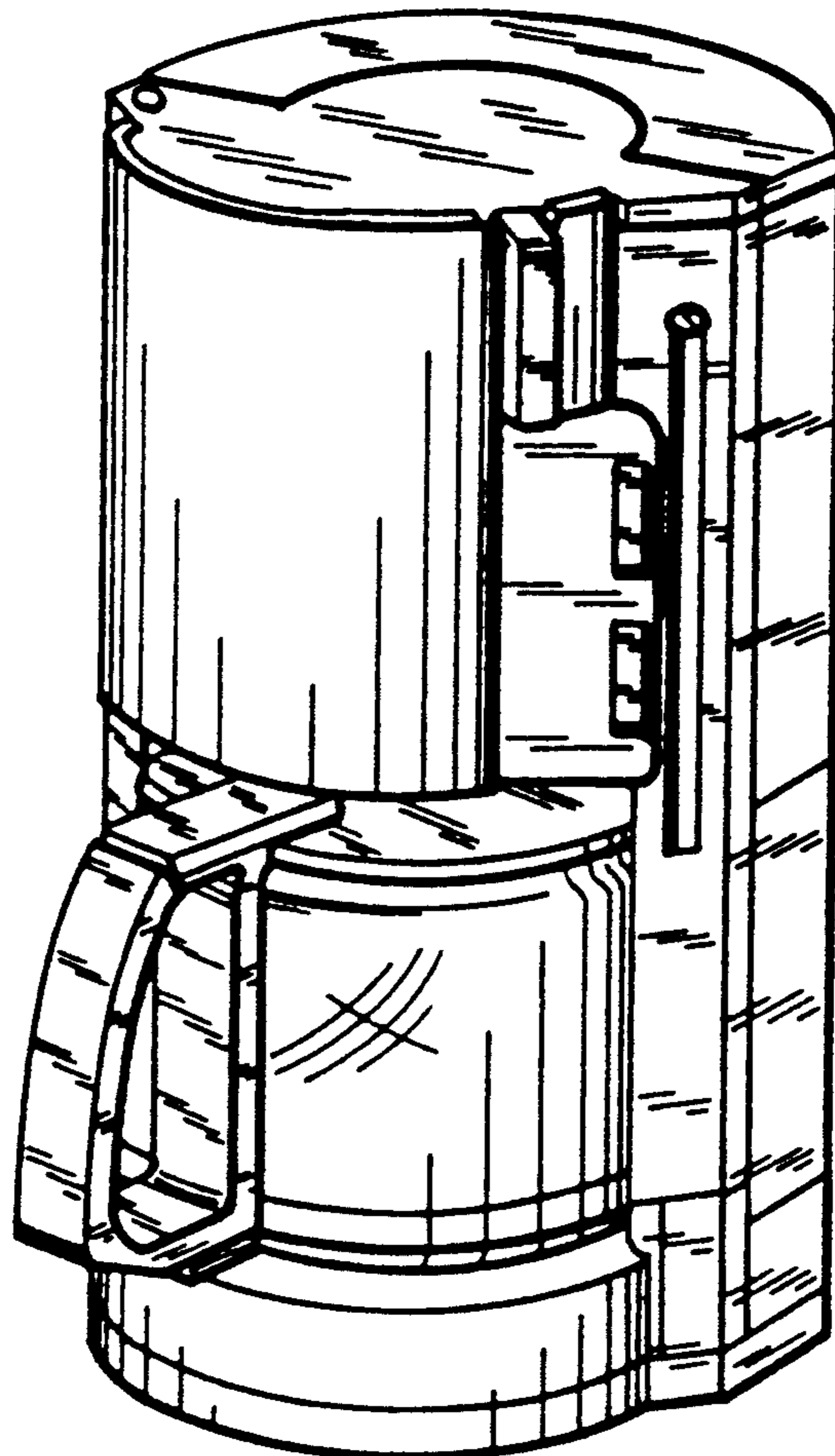
[57] **CLAIM**

The ornamental design for a coffee making machine, as shown and described.

DESCRIPTION

FIG. 1 is a top right-hand perspective view of a coffee making machine showing my new design; FIG. 2 is a front elevational view thereof; FIG. 3 is a top plan view thereof; FIG. 4 is a left-hand side elevational view thereof; FIG. 5 is a right-hand side elevational view thereof; FIG. 6 is a bottom plan view thereof; and, FIG. 7 is a rear elevational view thereof.

[56] **References Cited**
U.S. PATENT DOCUMENTS
D. 261,344 10/1981 Maass D7/309
D. 288,517 3/1987 Kahlcke D7/309



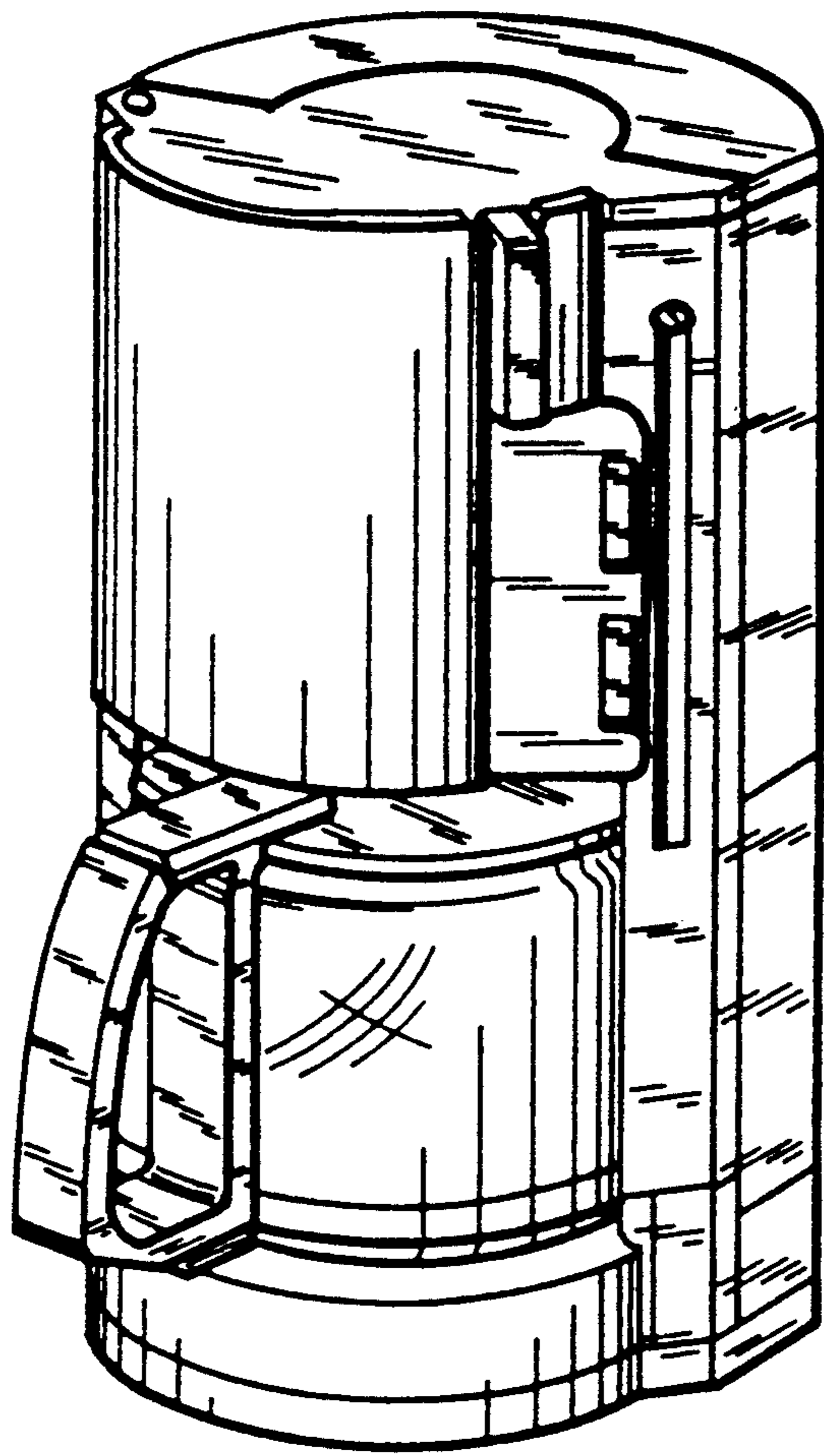


FIG.1

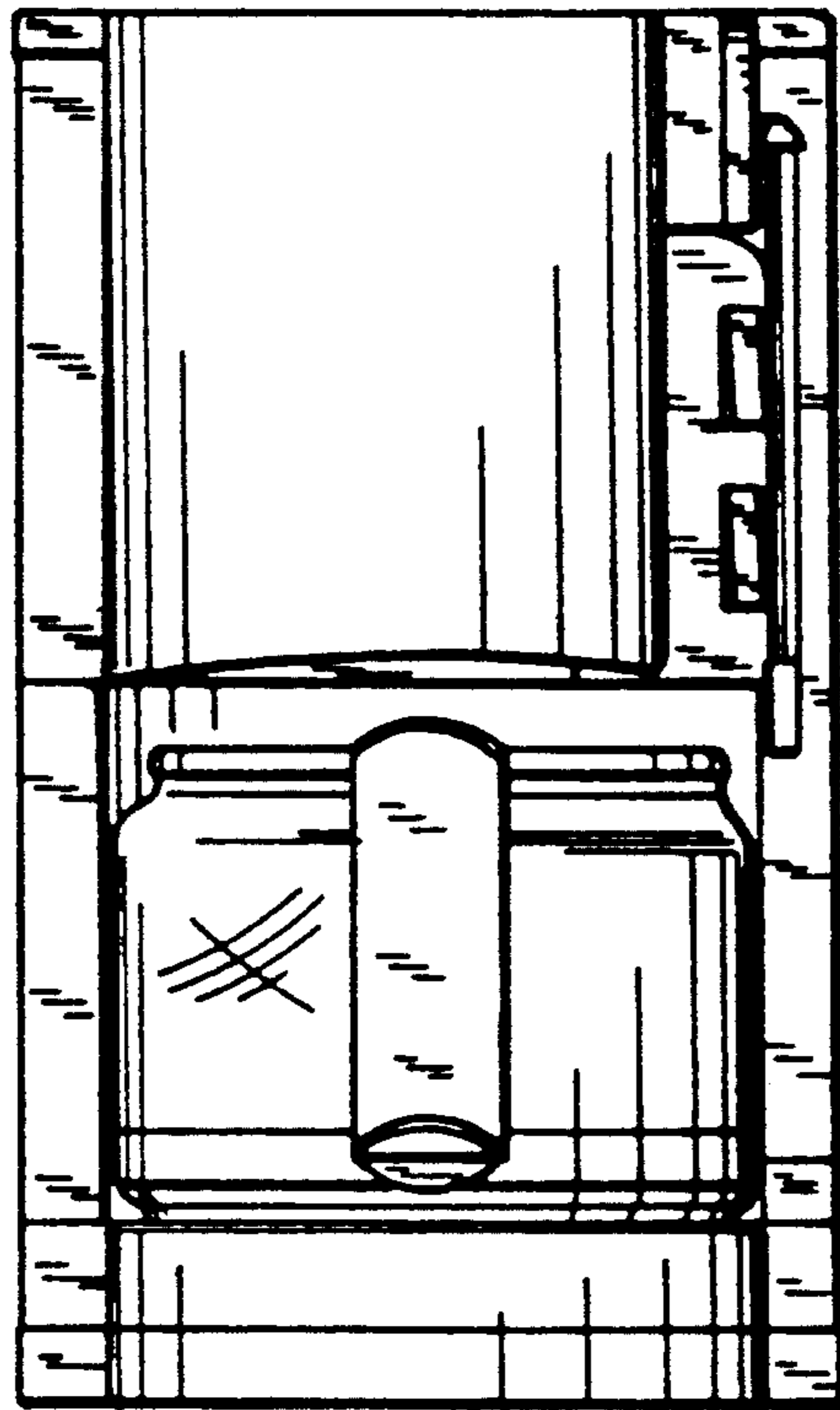


FIG. 2

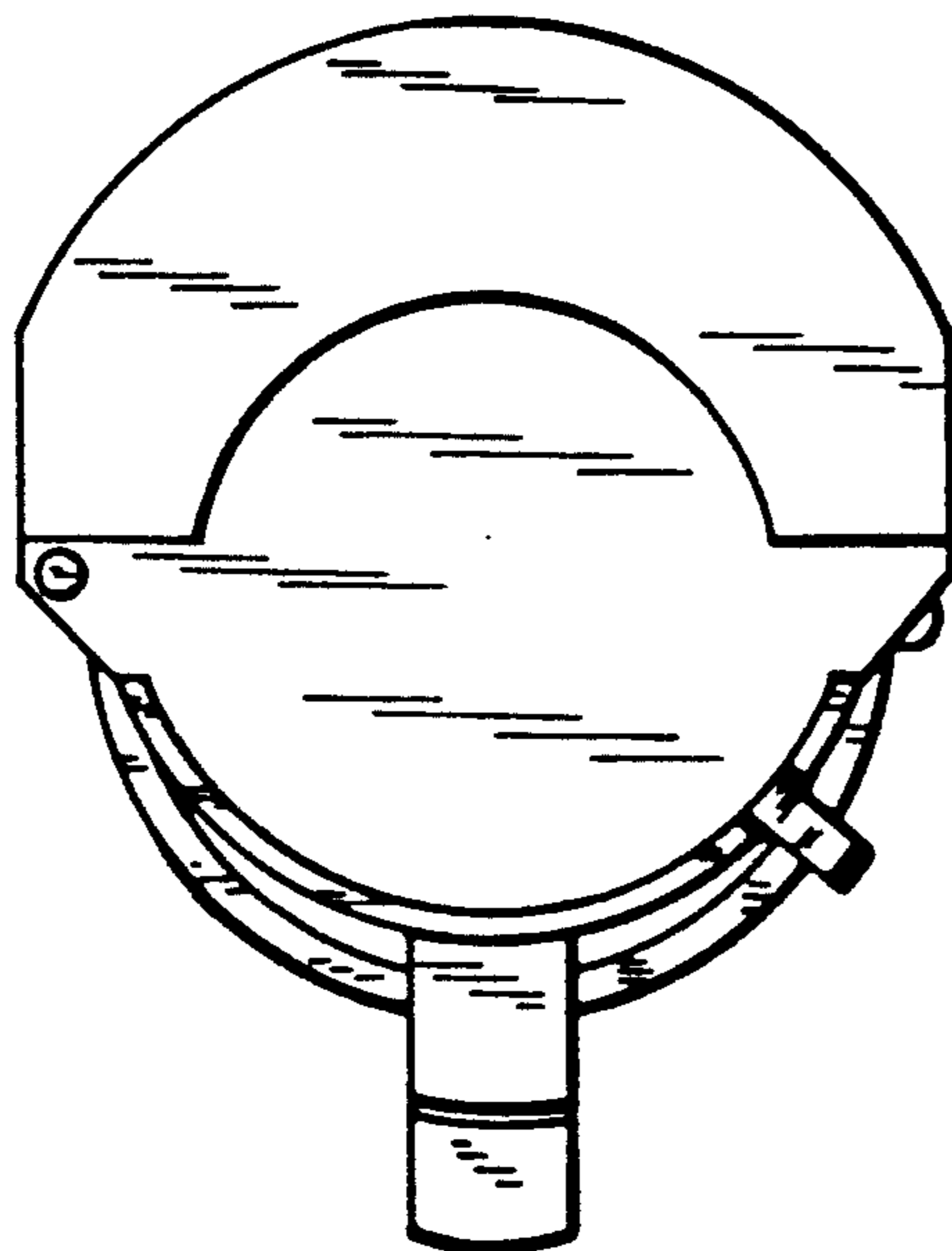


FIG. 3

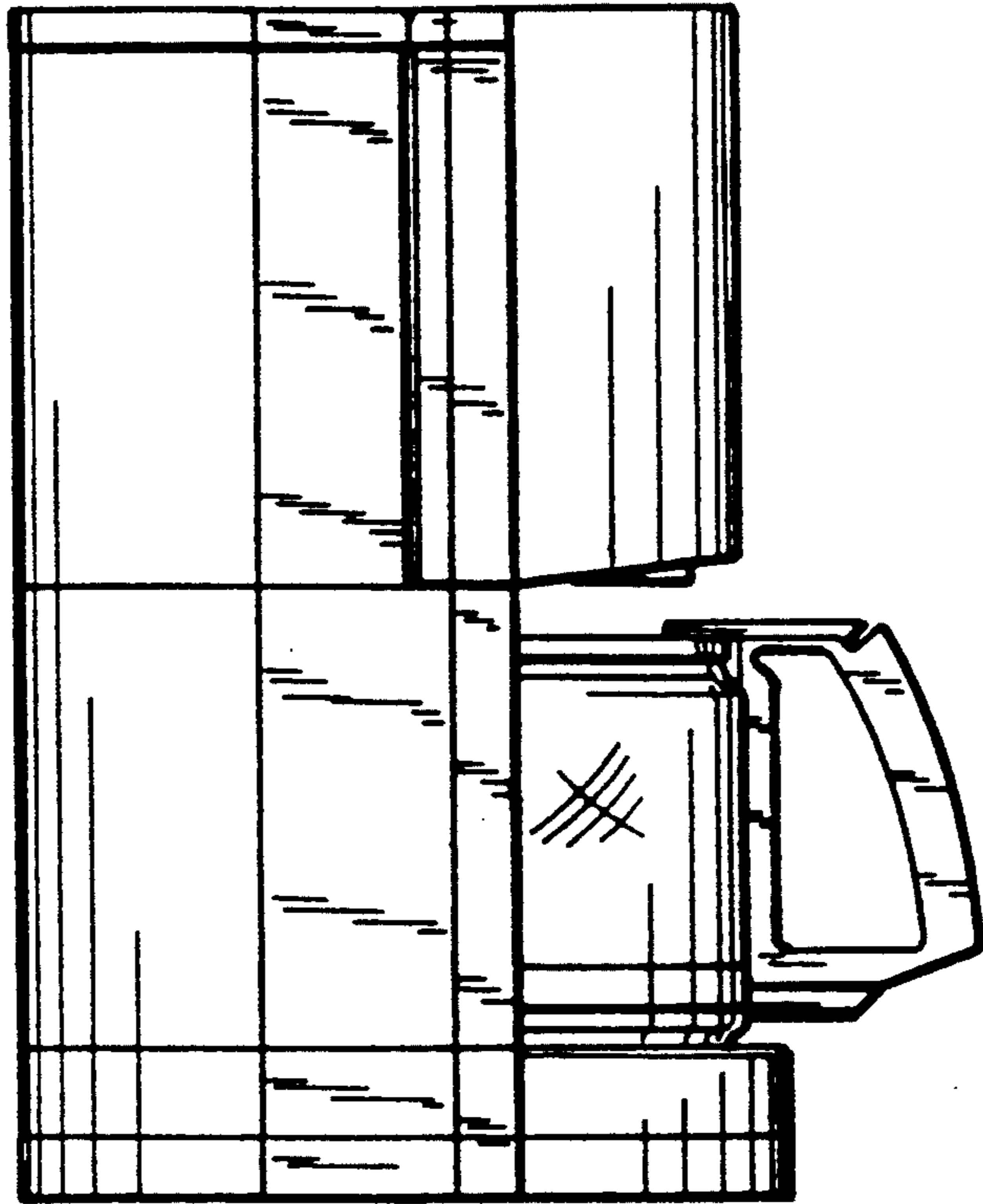


FIG. 4

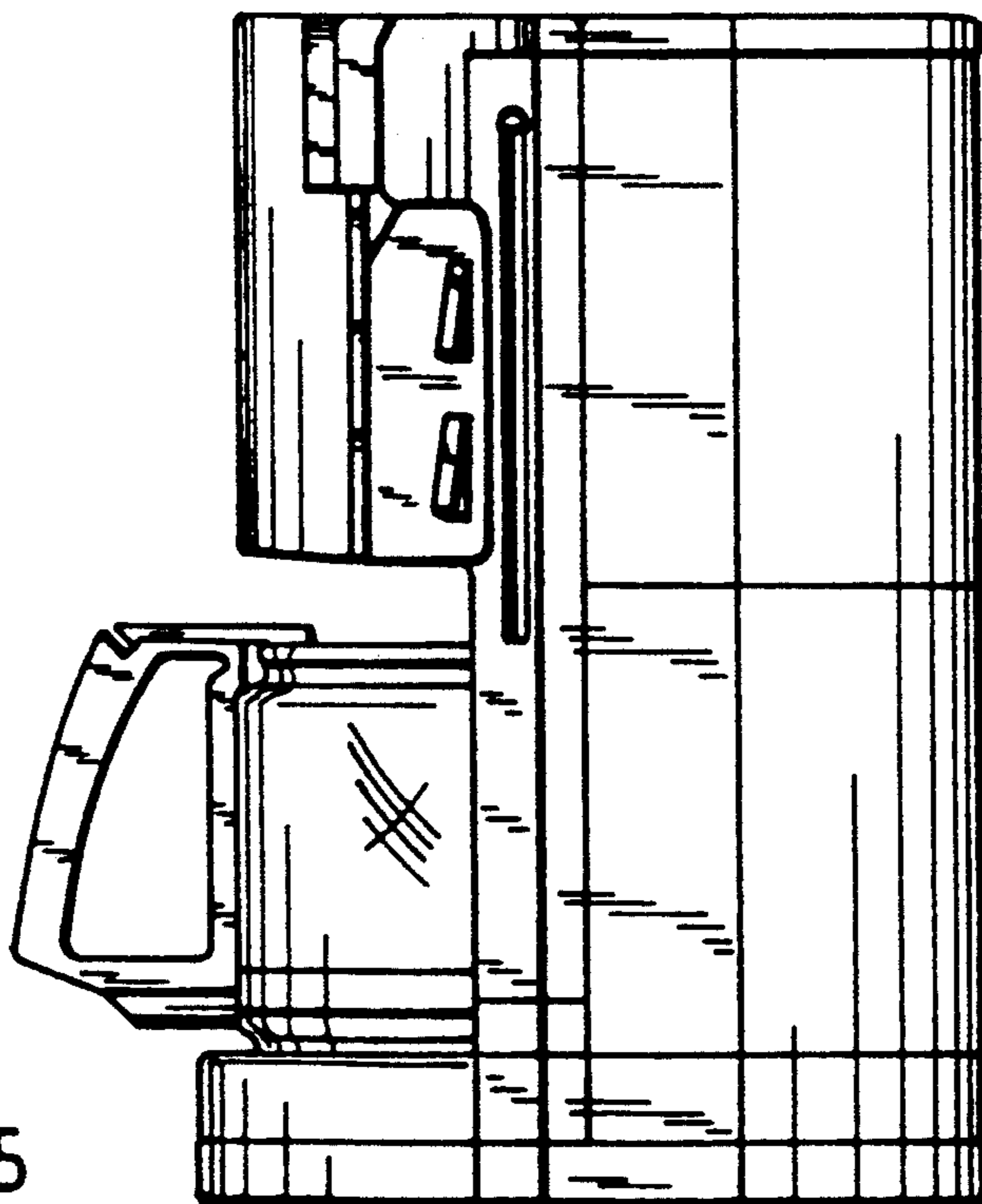


FIG. 5

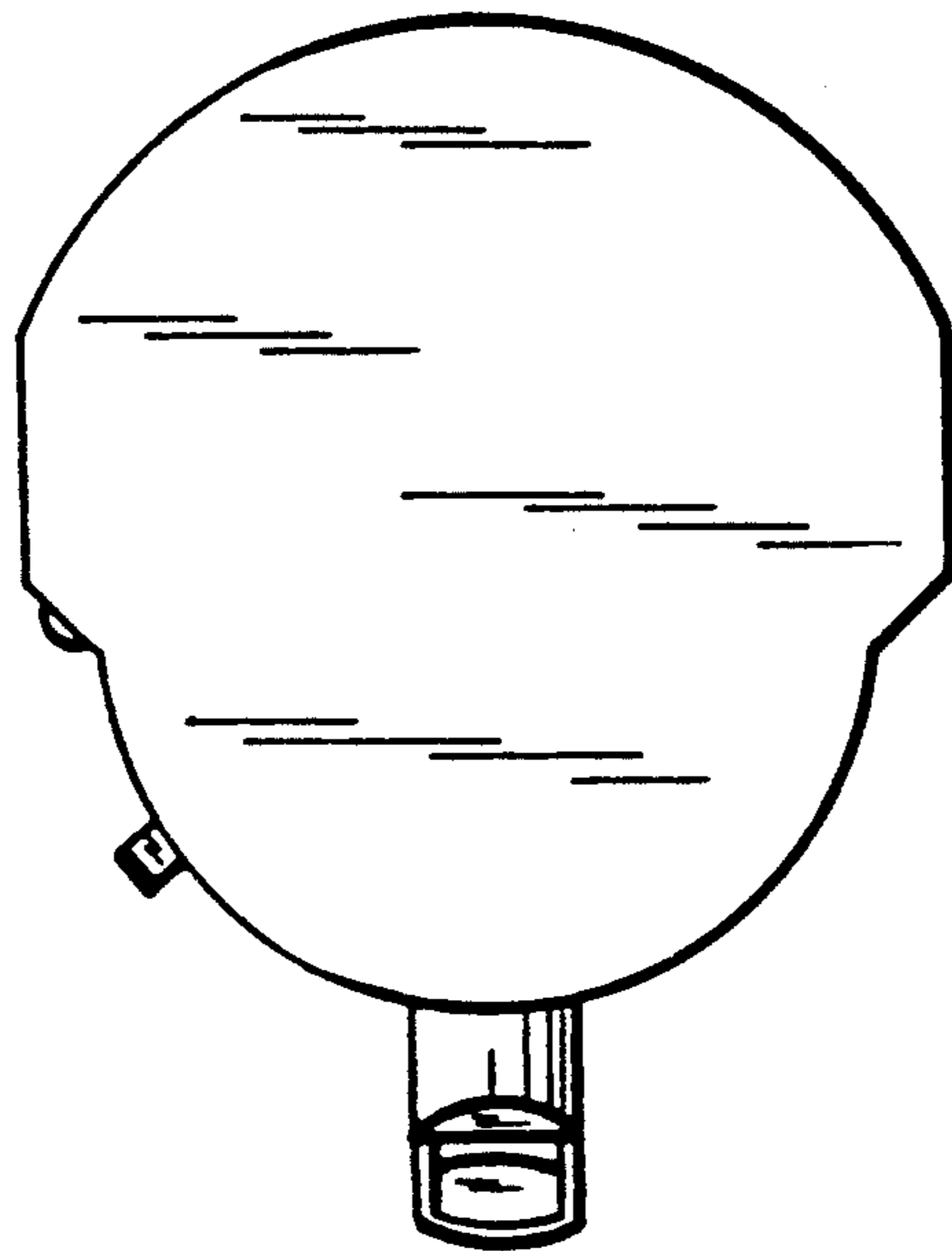


FIG. 6

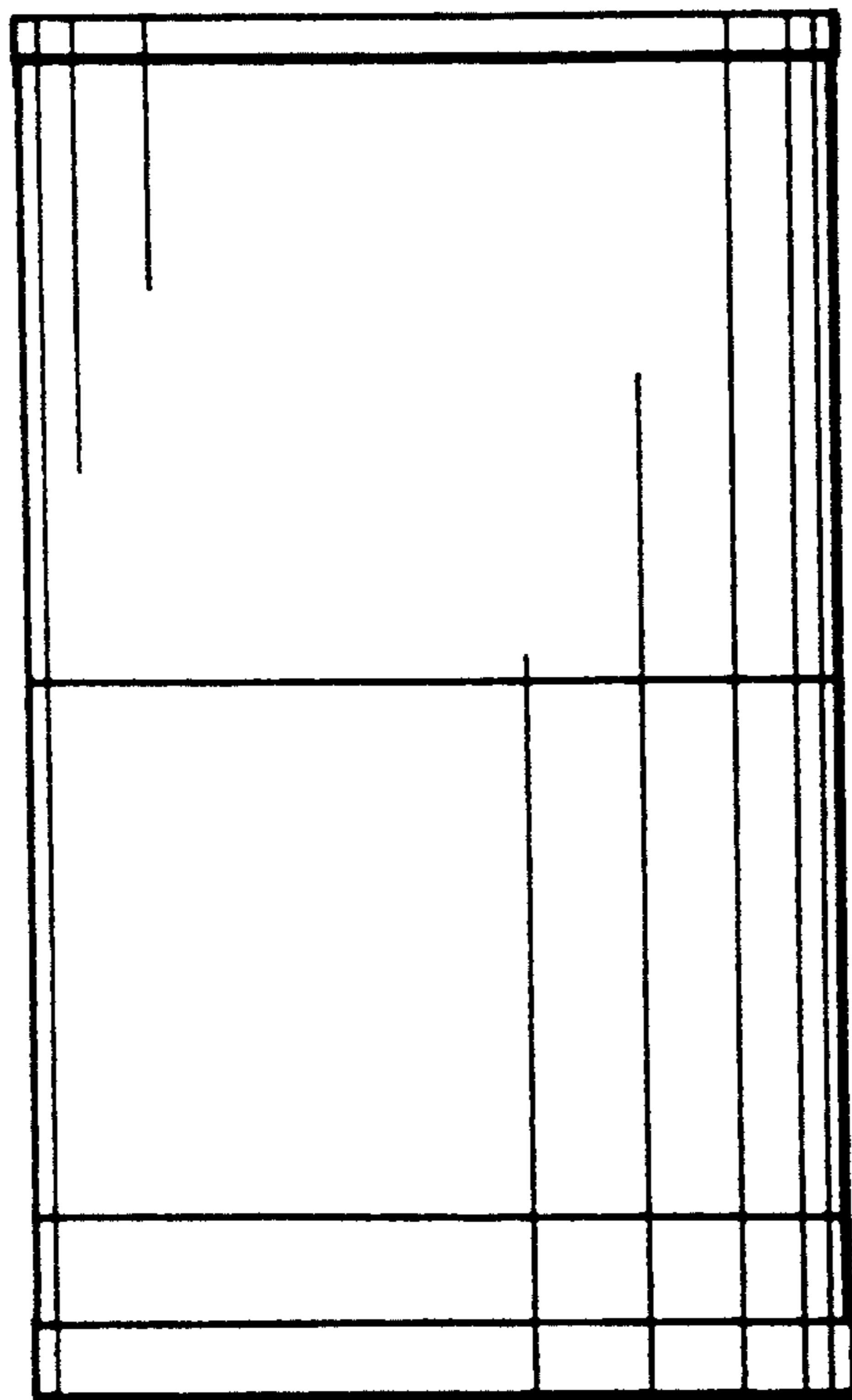


FIG. 7