



US00D345875S

# United States Patent [19]

[11] Patent Number: Des. 345,875

Thomason

[45] Date of Patent: \*\* Apr. 12, 1994

[54] **ROLLED PRODUCT DISPENSER**

[76] Inventor: **Joseph A. Thomason**, 3723 Woodside Dr., Geneva, Ohio 44041

[\*\*] Term: **14 Years**

[21] Appl. No.: **874,428**

[22] Filed: **Apr. 27, 1992**

[52] U.S. Cl. .... **D6/518**

[58] Field of Search ..... **D6/518, 522-523; 206/389; 221/282-283; 248/55.2, 55.3, 55.53**

[56] **References Cited**

**U.S. PATENT DOCUMENTS**

D. 217,187	4/1970	Andis	.....	D6/522
D. 303,891	10/1989	Lee	.....	D6/523
D. 308,612	6/1990	Cuevas	.....	D6/523
D. 335,597	5/1993	Winebrenner	.....	D6/522 X

*Primary Examiner*—Brian N. Vinson  
*Attorney, Agent, or Firm*—Lovercheck and Lovercheck

[57] **CLAIM**

The ornamental design for a rolled product dispenser, as shown and described.

**DESCRIPTION**

FIG. 1 is a top, front, and left side perspective view of a rolled product dispenser showing my new design, the broken-line disclosure of a rolled product being for illustrative purposes only and forming no part of the claimed design;

FIG. 2 is a reduced front elevational view thereof;

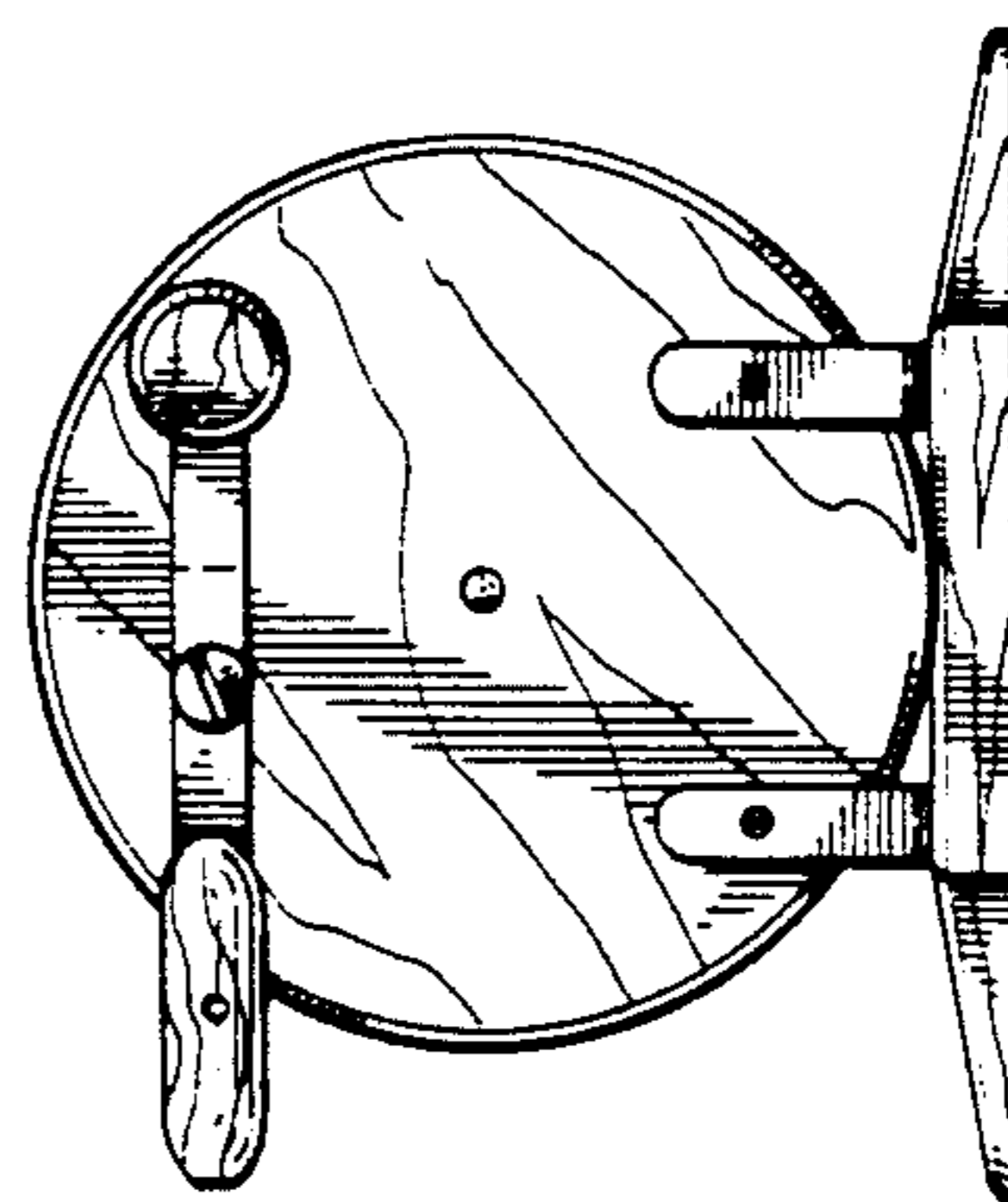
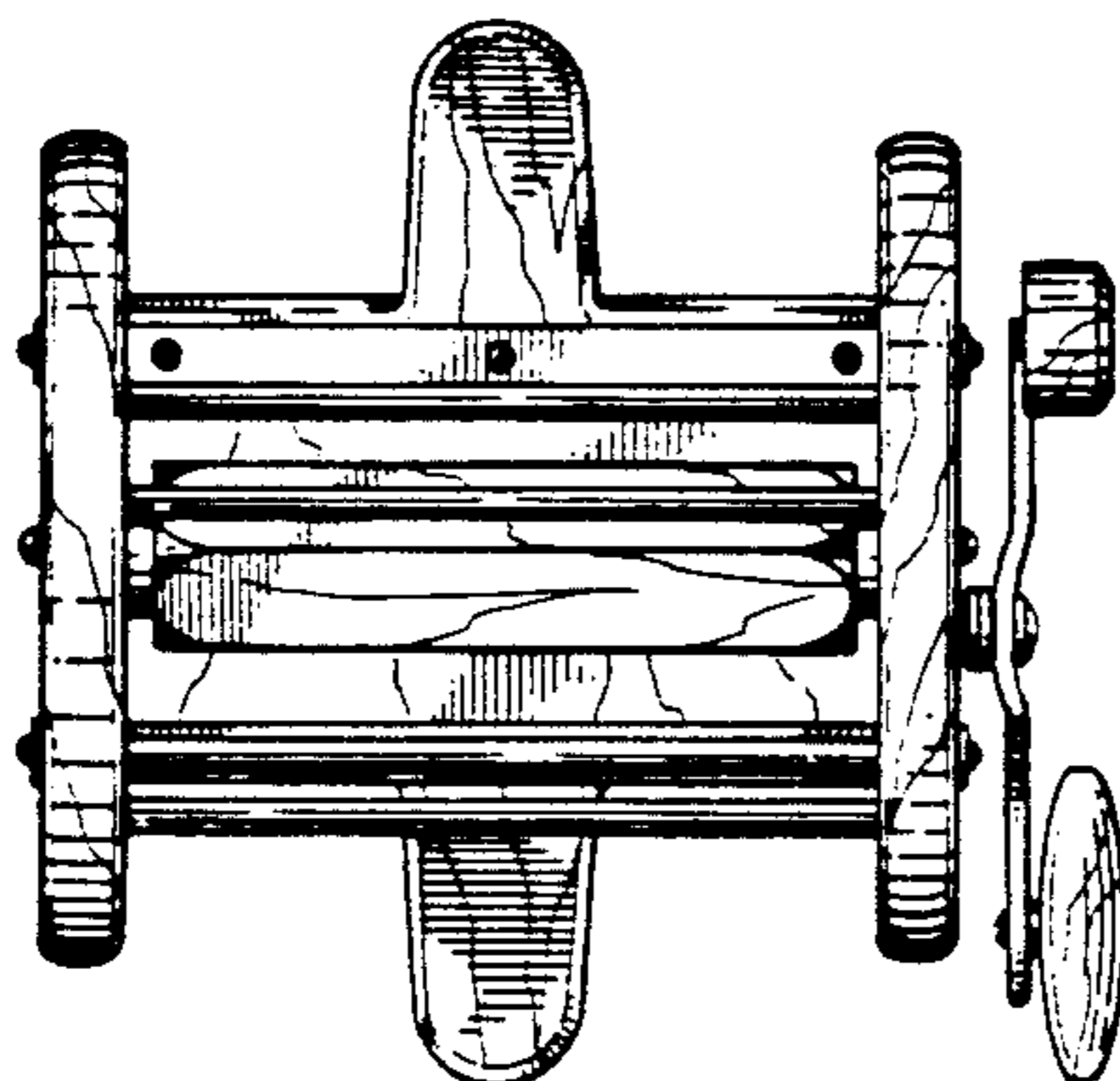
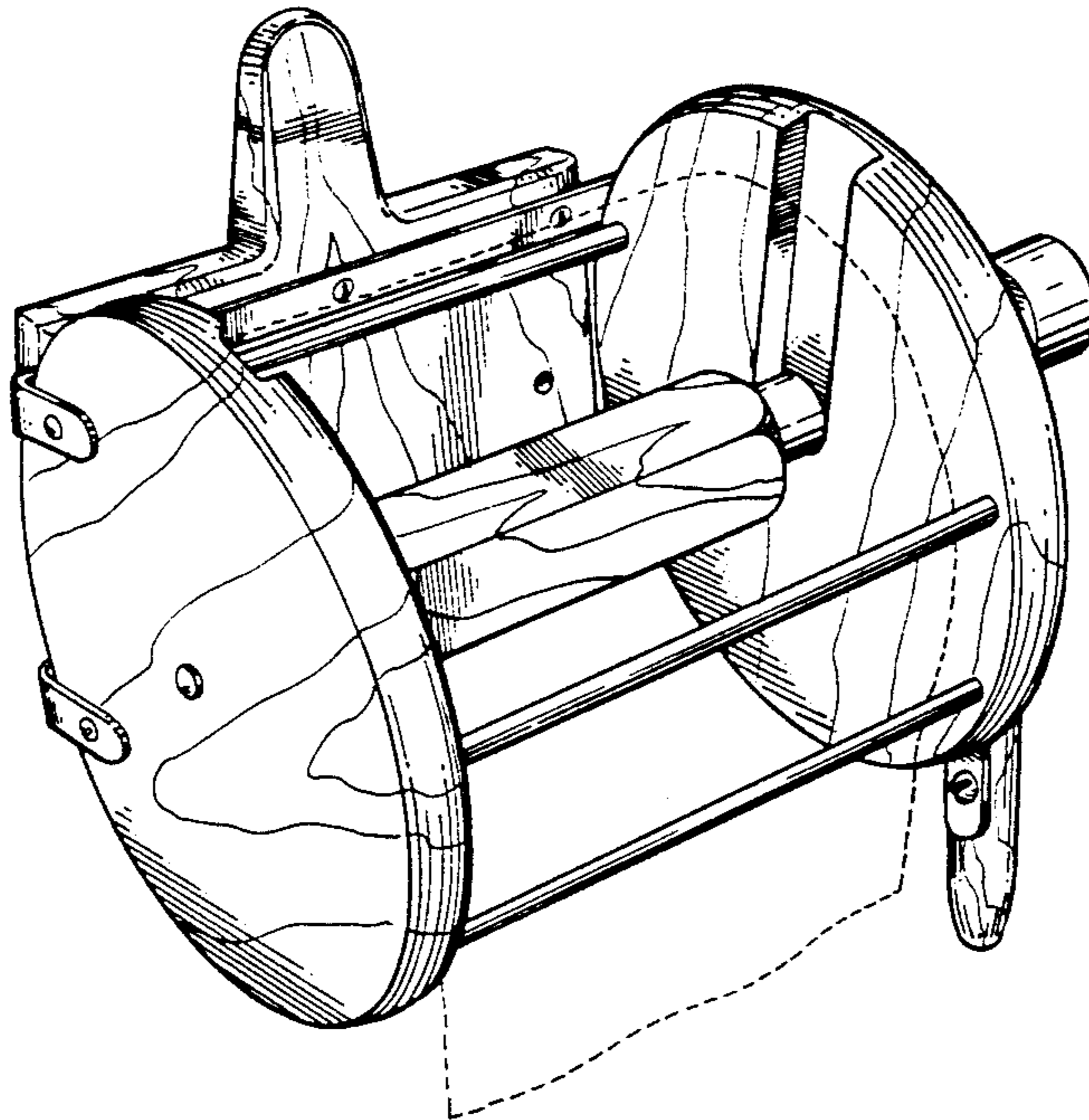
FIG. 3 is a reduced right side elevational view thereof;

FIG. 4 is a reduced rear elevational view thereof;

FIG. 5 is a reduced left side elevational view thereof;

FIG. 6 is a reduced top plan view thereof; and,

FIG. 7 is a reduced bottom plan view thereof.



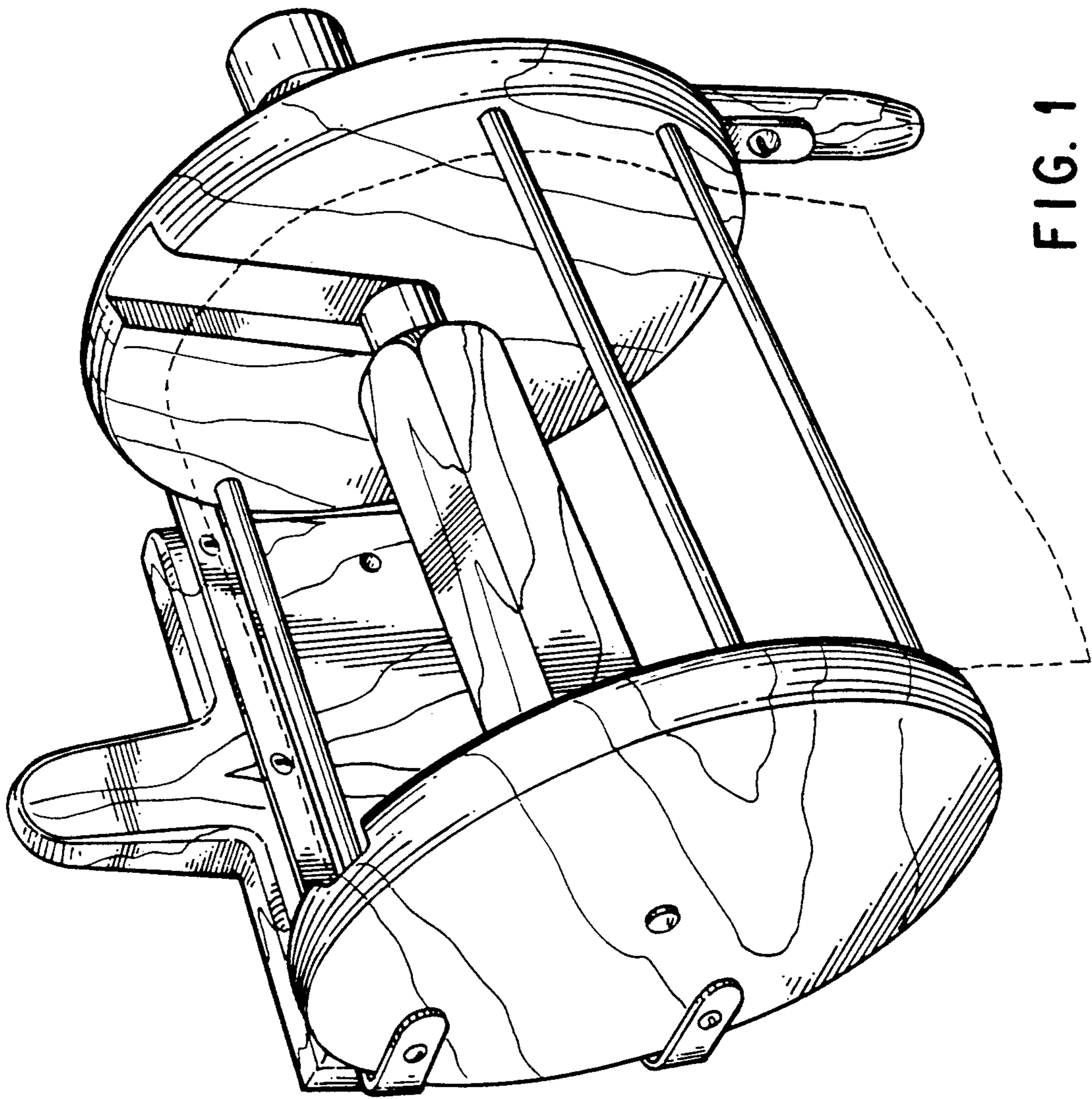


FIG. 1

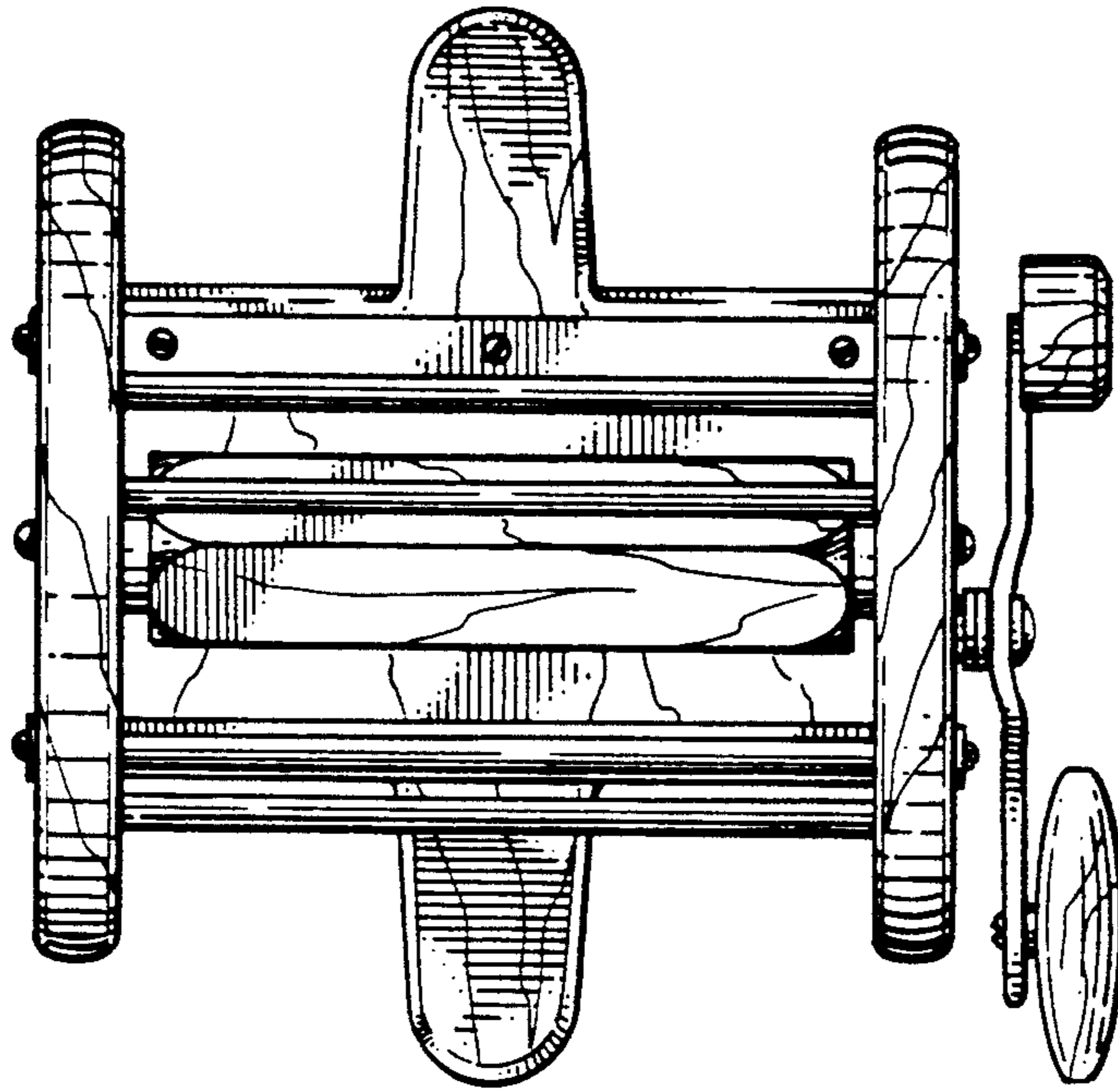


FIG. 2

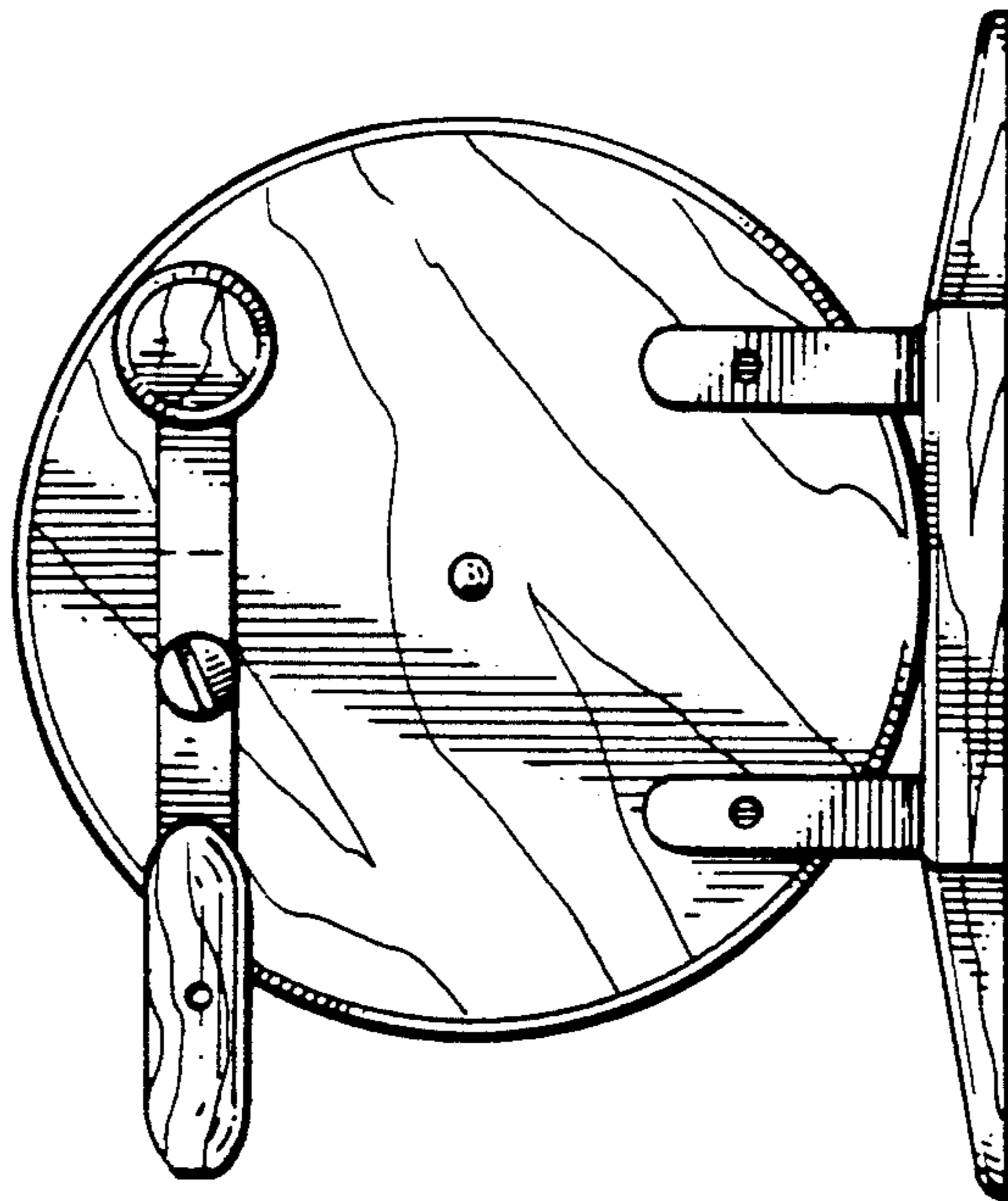


FIG. 3

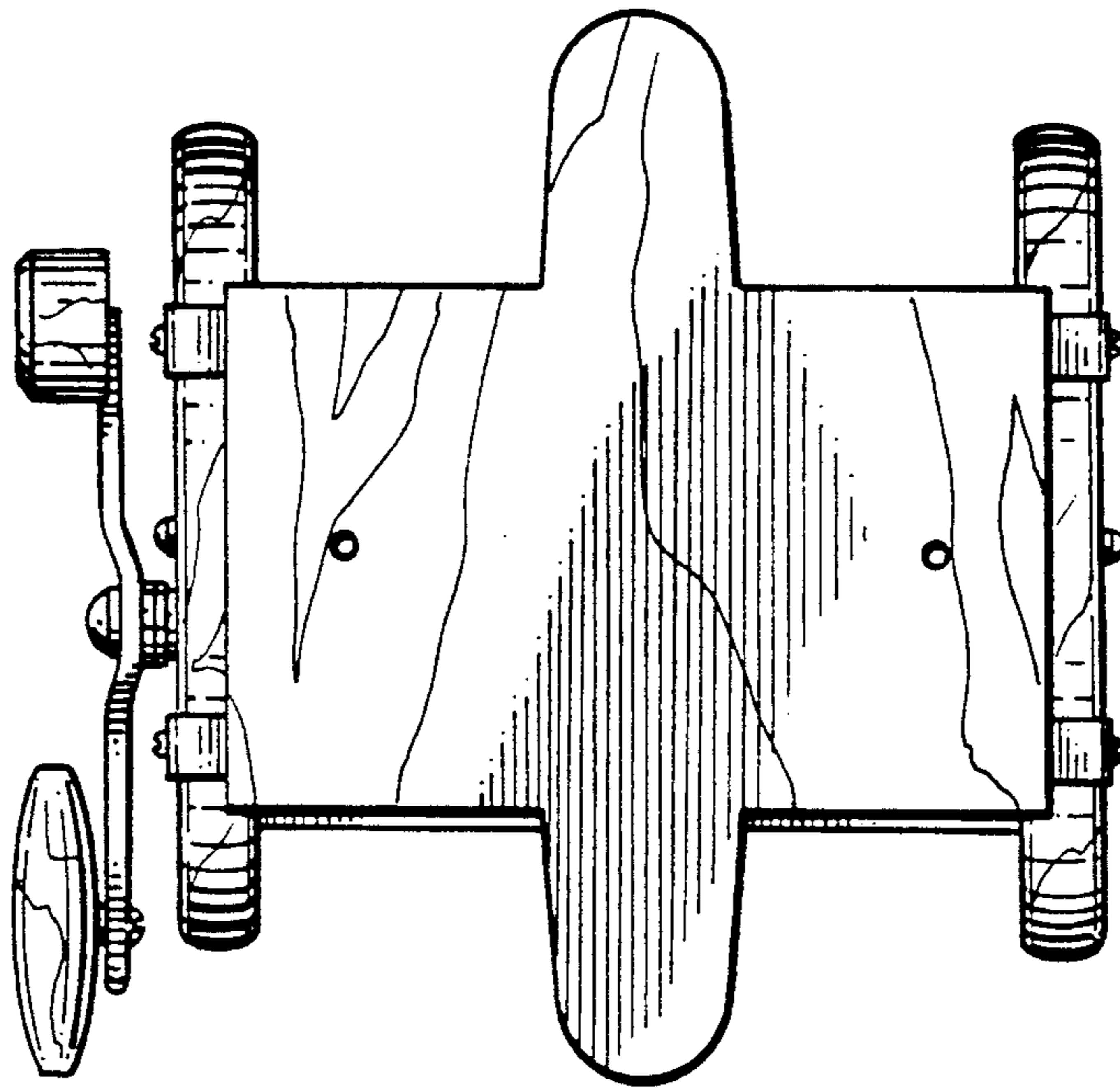


FIG. 4

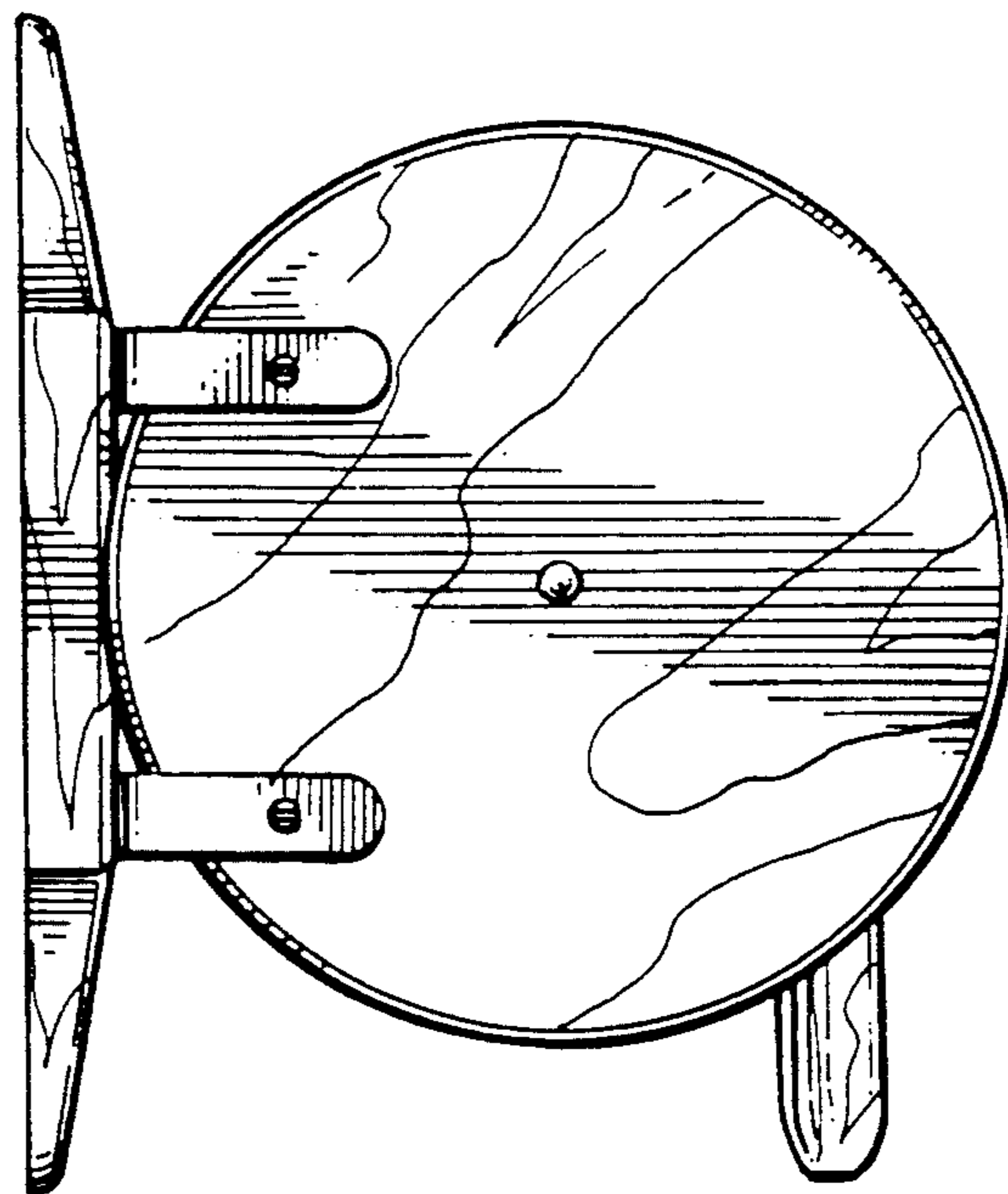


FIG. 5

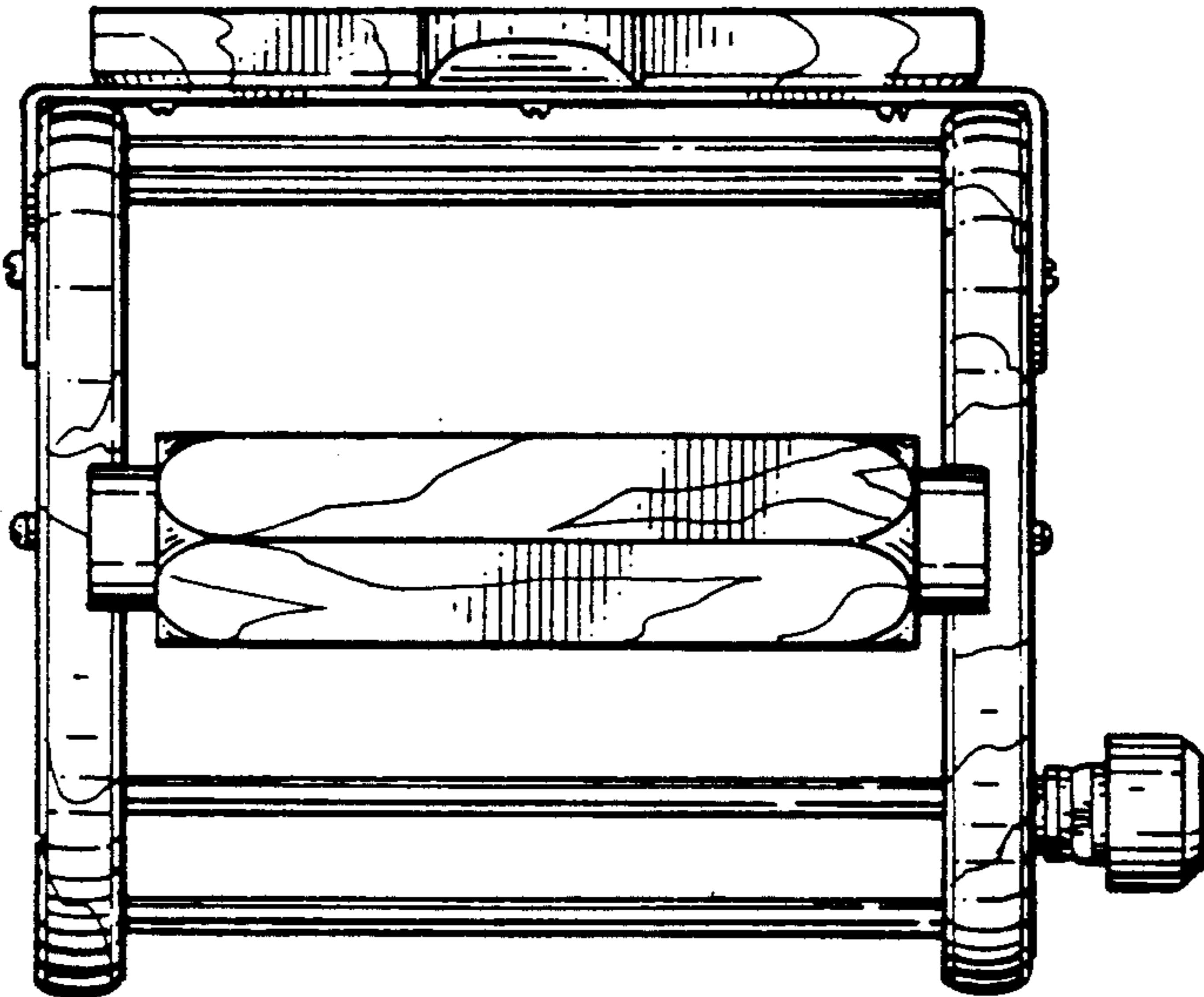


FIG. 6

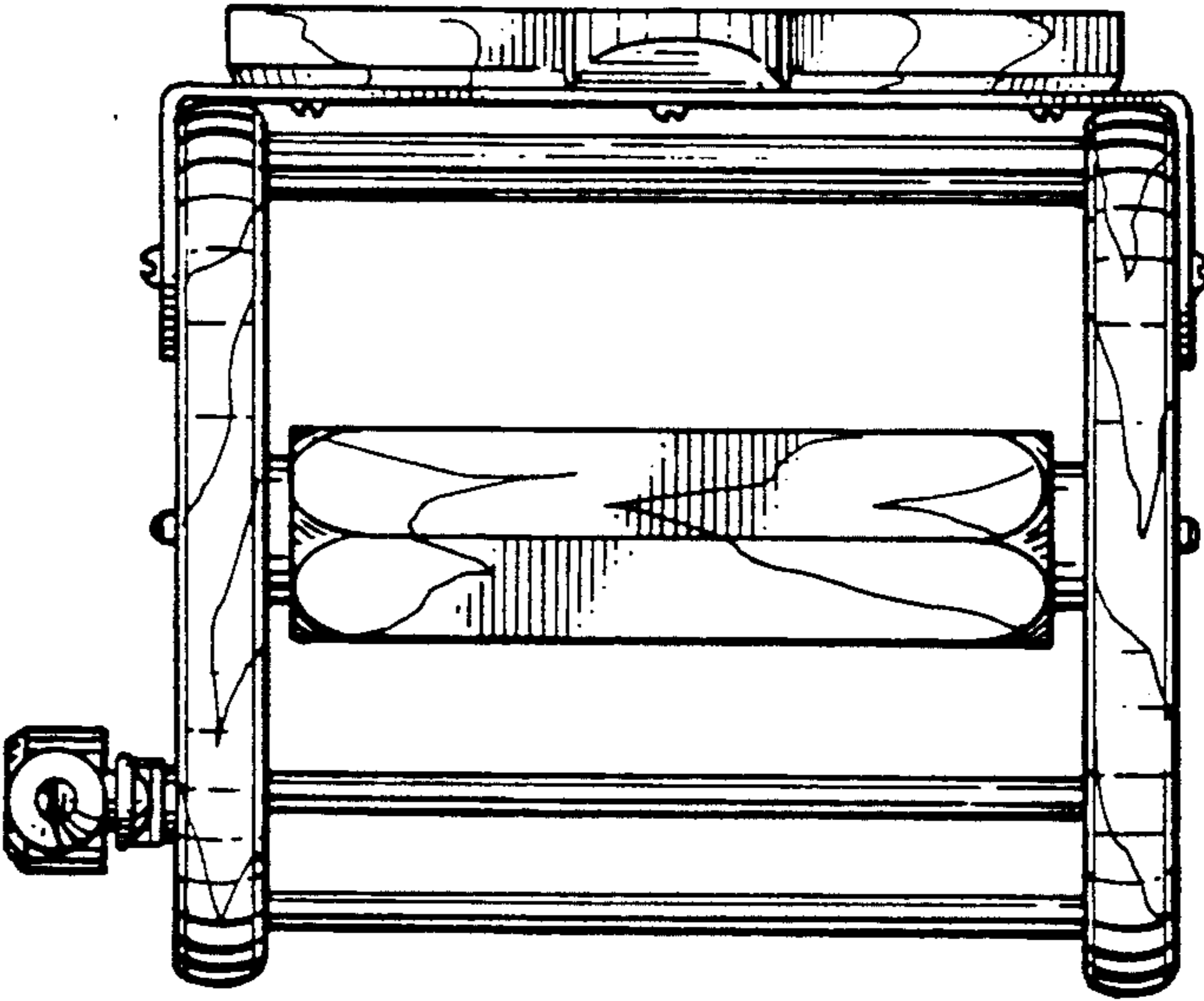


FIG. 7