



US00D345874S

United States Patent [19]

[11] Patent Number: **Des. 345,874**

Muller

[45] Date of Patent: **** Apr. 12, 1994**

[54] **ARM REST**

D. 330,303 10/1992 Nunnally D6/501

[76] Inventor: **Vlad Muller**, 35 40th Street, Toronto, Ontario, Canada

OTHER PUBLICATIONS

DOMUS, Jan. 1981, inside front cover, armrest on chair.

[**] Term: **14 Years**

Primary Examiner—Nelson C. Holtje

Assistant Examiner—J. E. Seeger

[21] Appl. No.: **766,146**

[22] Filed: **Sep. 27, 1991**

[52] U.S. Cl. **D6/501**

[57] CLAIM

[58] Field of Search **D6/500-502, D6/491, 334, 374, 375, 379, 380, 366; 297/411, 412, 422, 219**

The ornamental design for a arm rest, as shown and described.

DESCRIPTION

[56] References Cited

FIG. 1 is a perspective view of an arm rest, showing my new design;

U.S. PATENT DOCUMENTS

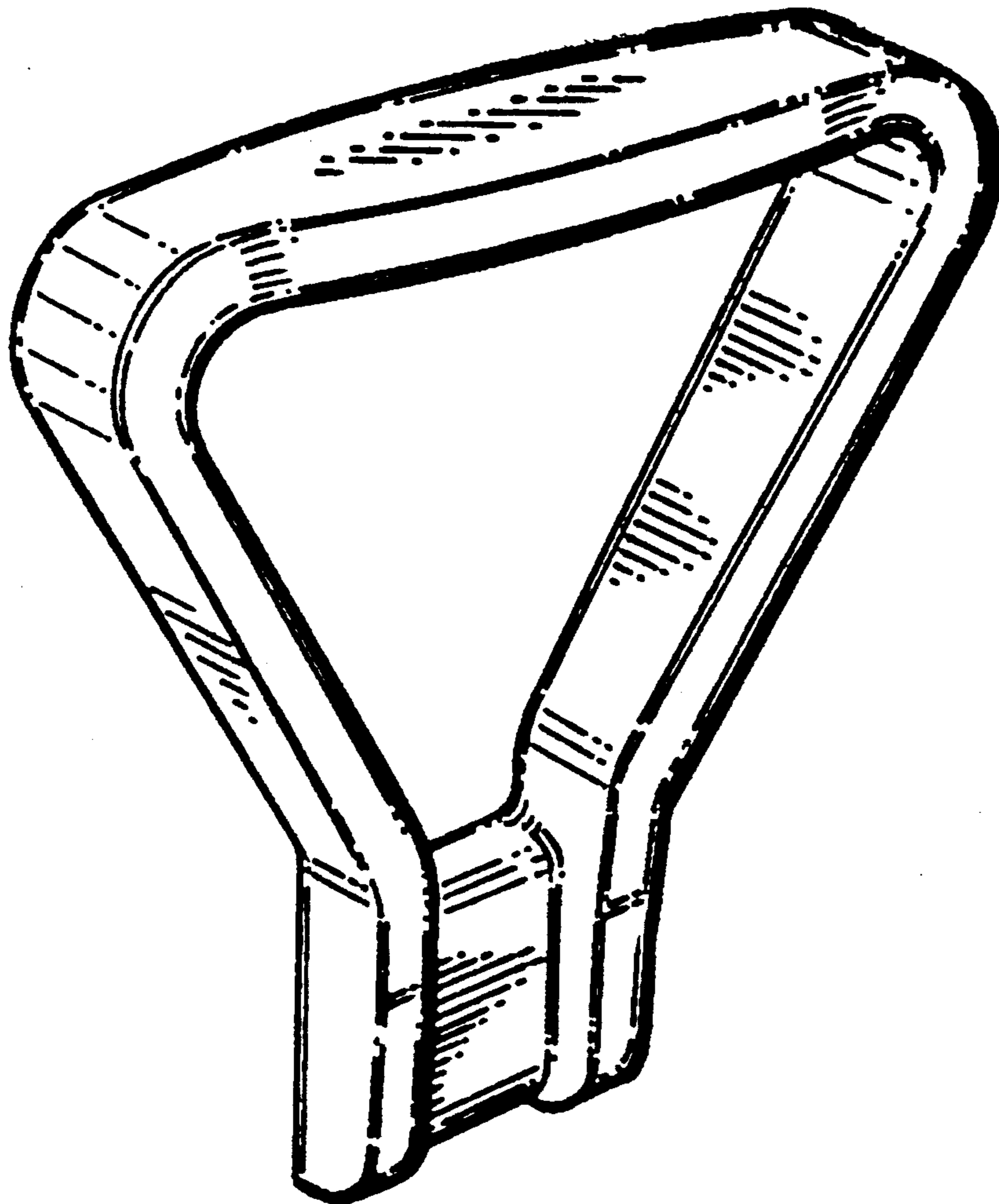
- D. 272,393 1/1984 Klier D6/334
- D. 274,769 7/1984 Klier D6/366
- D. 298,492 11/1988 Ochsner D6/379
- D. 309,990 8/1990 von Klier et al. D6/366
- D. 311,826 11/1990 Schwartz et al. D6/379 X

FIG. 2 is a front elevational view;

FIG. 3 is a rear elevational view;

FIG. 4 is a top plan view; and,

FIG. 5 is a side elevational view, the opposite side being a mirror image thereof.



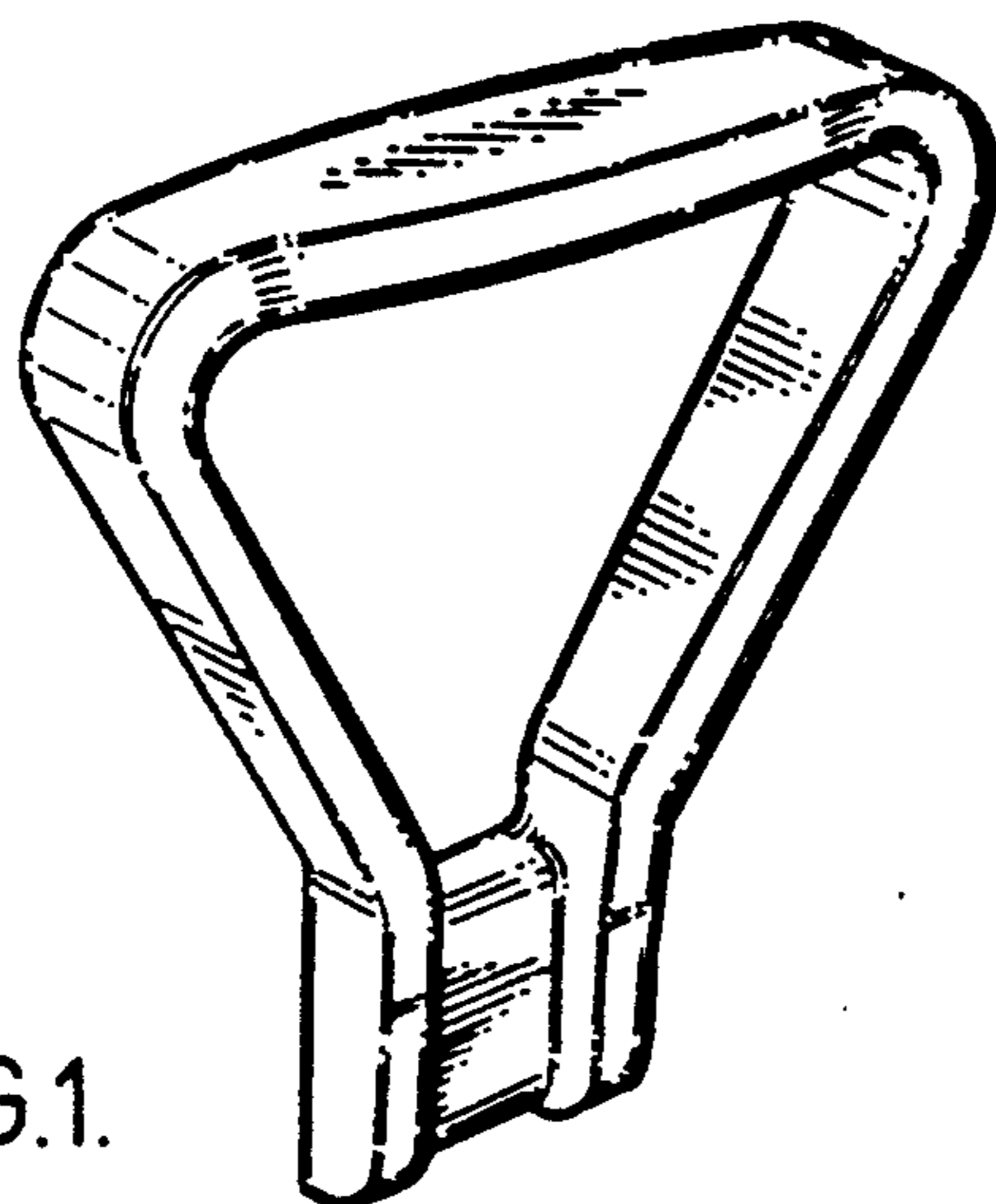


FIG. 1.

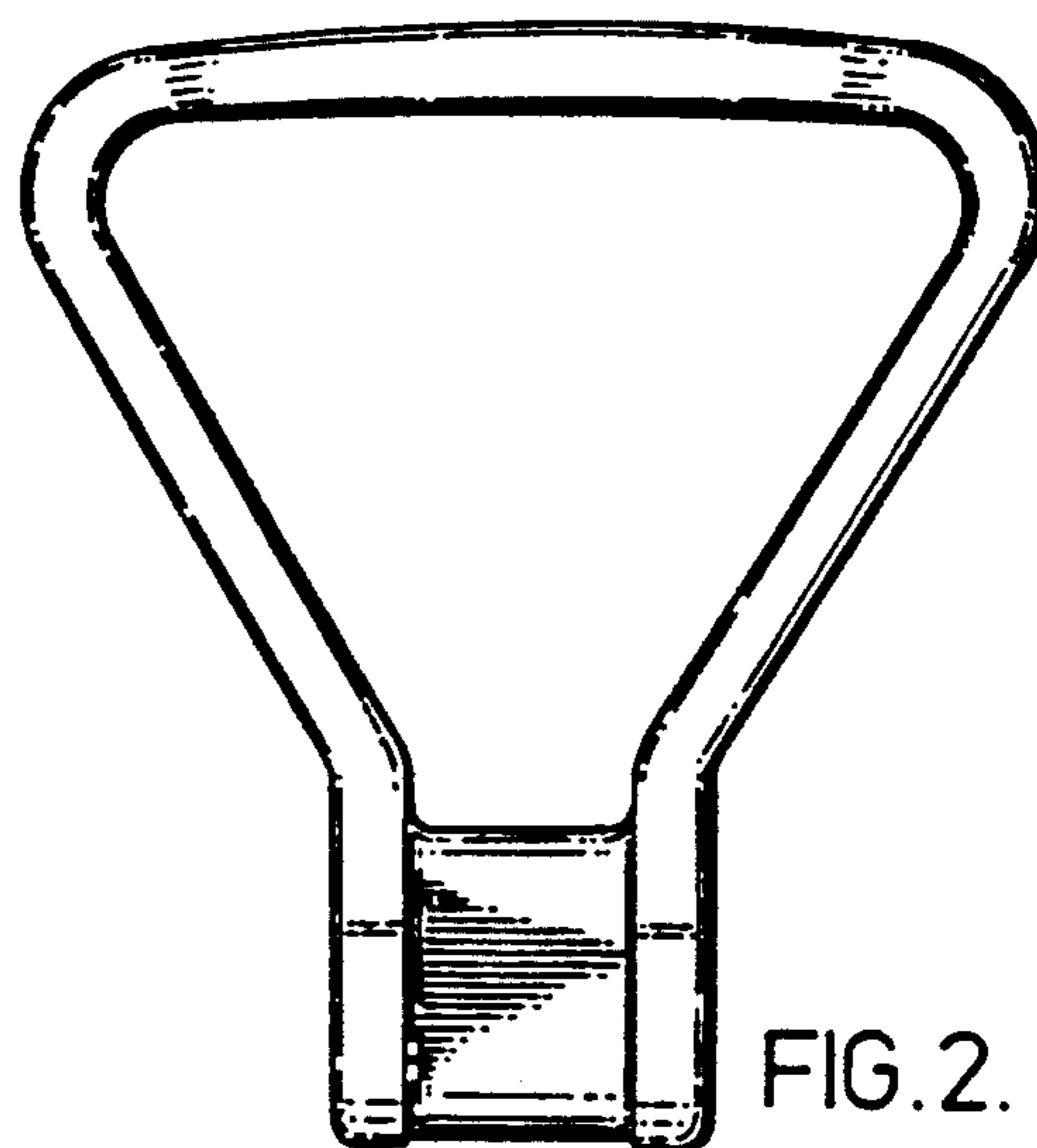


FIG. 2.

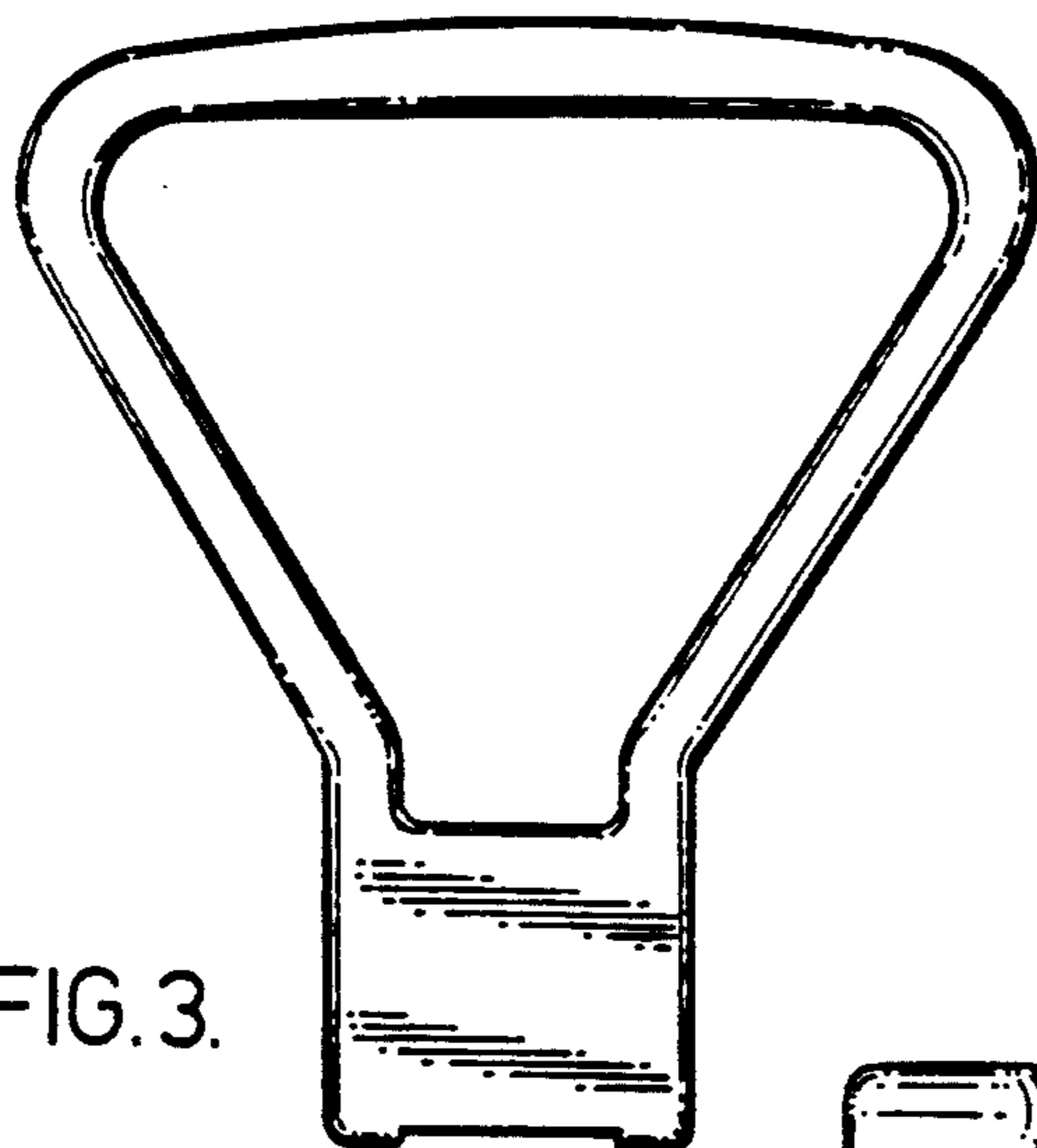


FIG. 3.

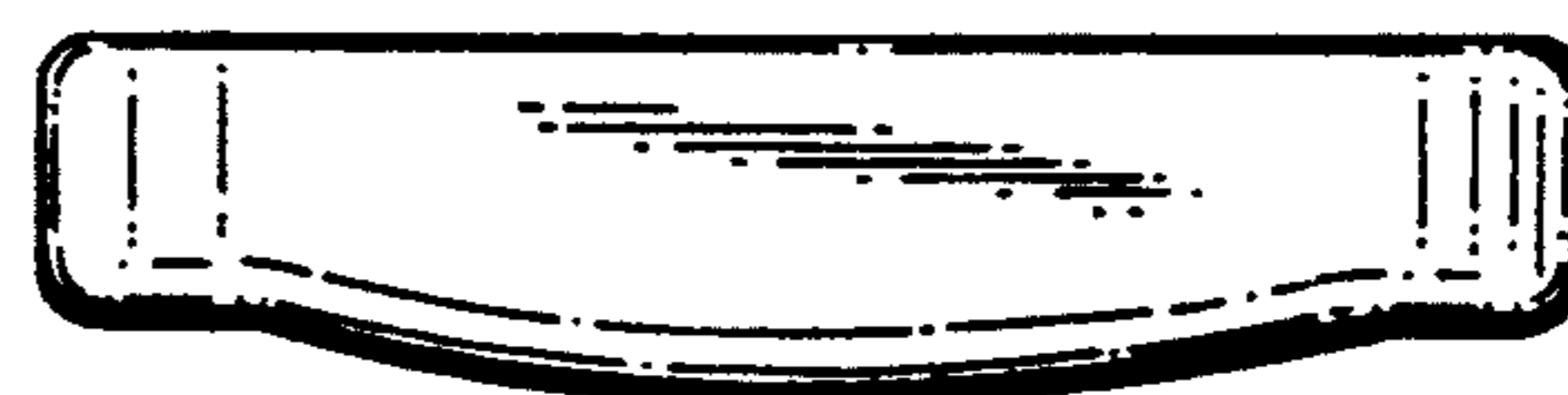


FIG. 4.



FIG. 5.