



US00D345866S

**United States Patent** [19]  
**Barker**

[11] **Patent Number: Des. 345,866**  
[45] **Date of Patent: \*\* Apr. 12, 1994**

[54] **CHAIR**

D. 333,735 3/1993 Carter ..... D6/366  
4,834,453 5/1989 Makiol ..... 297/DIG. 2 X

[75] **Inventor: David Barker, Marlow, England**

[73] **Assignee: President Office Furniture Limited, England**

[\*\*] **Term: 14 Years**

[21] **Appl. No.: 690,232**

[22] **Filed: Apr. 23, 1991**

[30] **Foreign Application Priority Data**

Oct. 24, 1990 [GB] United Kingdom ..... 2010459

[52] **U.S. Cl. .... D6/366**

[58] **Field of Search ..... D6/344, 365, 366, 369, D6/379; 297/DIG. 2, 301**

[56] **References Cited**

**U.S. PATENT DOCUMENTS**

- D. 272,393 1/1984 Klier ..... D6/379 X
- D. 285,629 9/1986 Frank et al. .... D6/366
- D. 297,687 9/1988 Uredat ..... D6/366
- D. 298,492 11/1988 Ochsner ..... D6/379

**OTHER PUBLICATIONS**

*Office Furniture Dealer*, vol. 113, Jan.-Jun. 1985, p. 66, "Office Chair", upper rt. corner of page.

*Vecta Chair Cat.*, "Wilkhahn FS & Grand Class Chair", center of page.

*Facilities Design & Management Brochure*, p. 79, "United Chair", bottom left of page.

*Primary Examiner*—Nelson C. Holtje

*Assistant Examiner*—Monica A. Hannon

*Attorney, Agent, or Firm*—Kirschstein et al.

[57] **CLAIM**

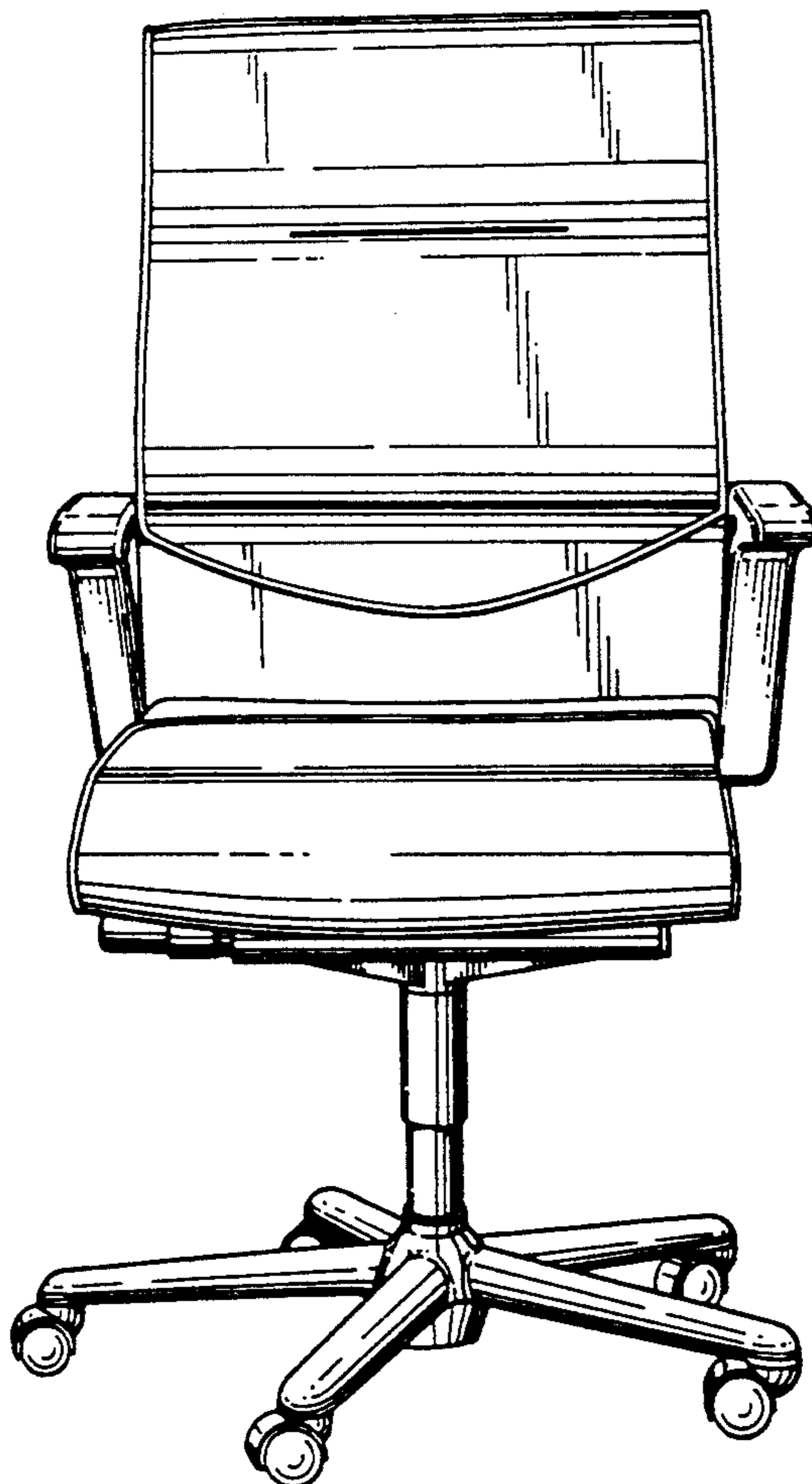
The ornamental design for a chair, as shown and described.

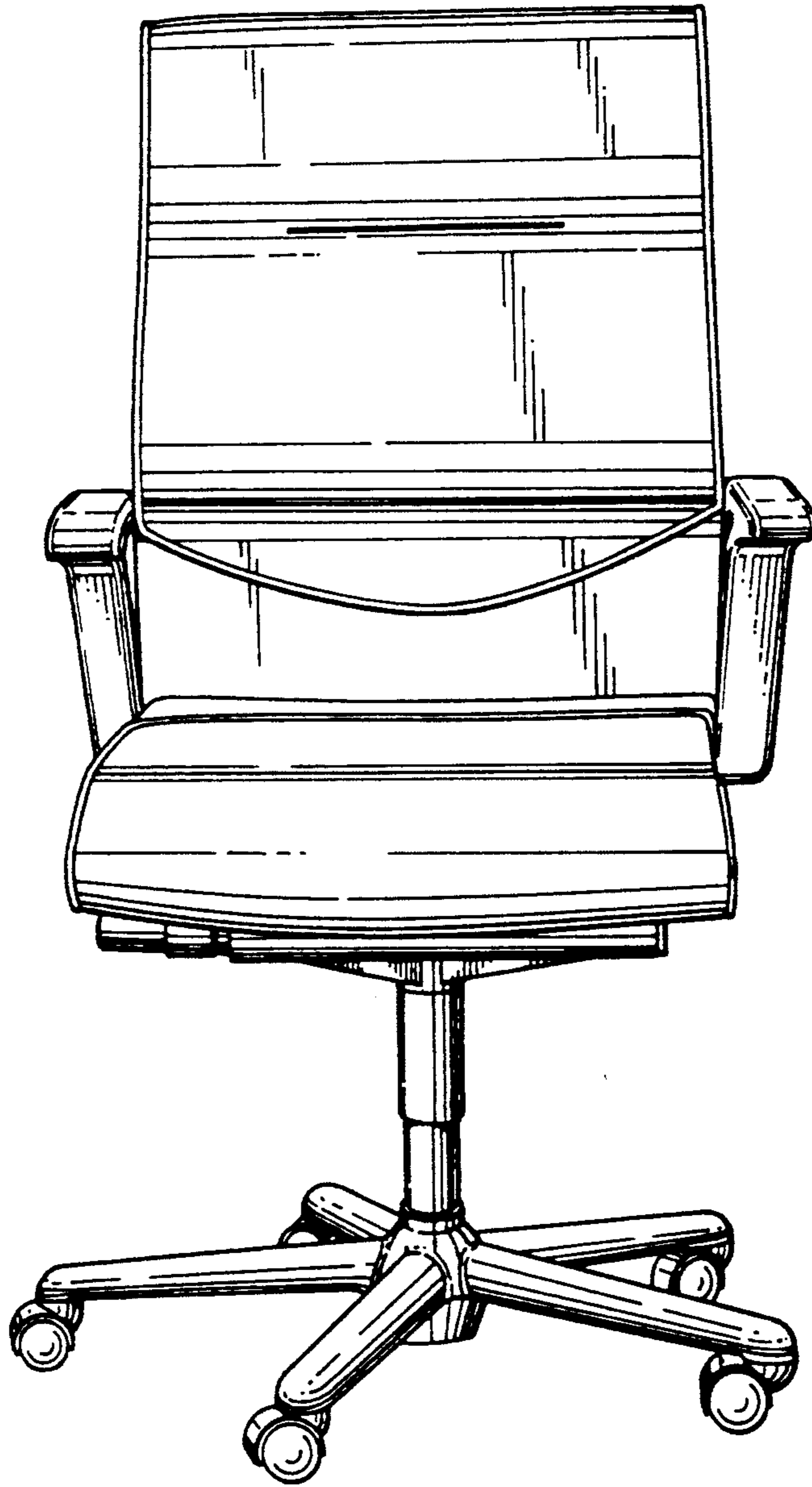
**DESCRIPTION**

FIG. 1 is a front perspective view of a chair showing my new design;

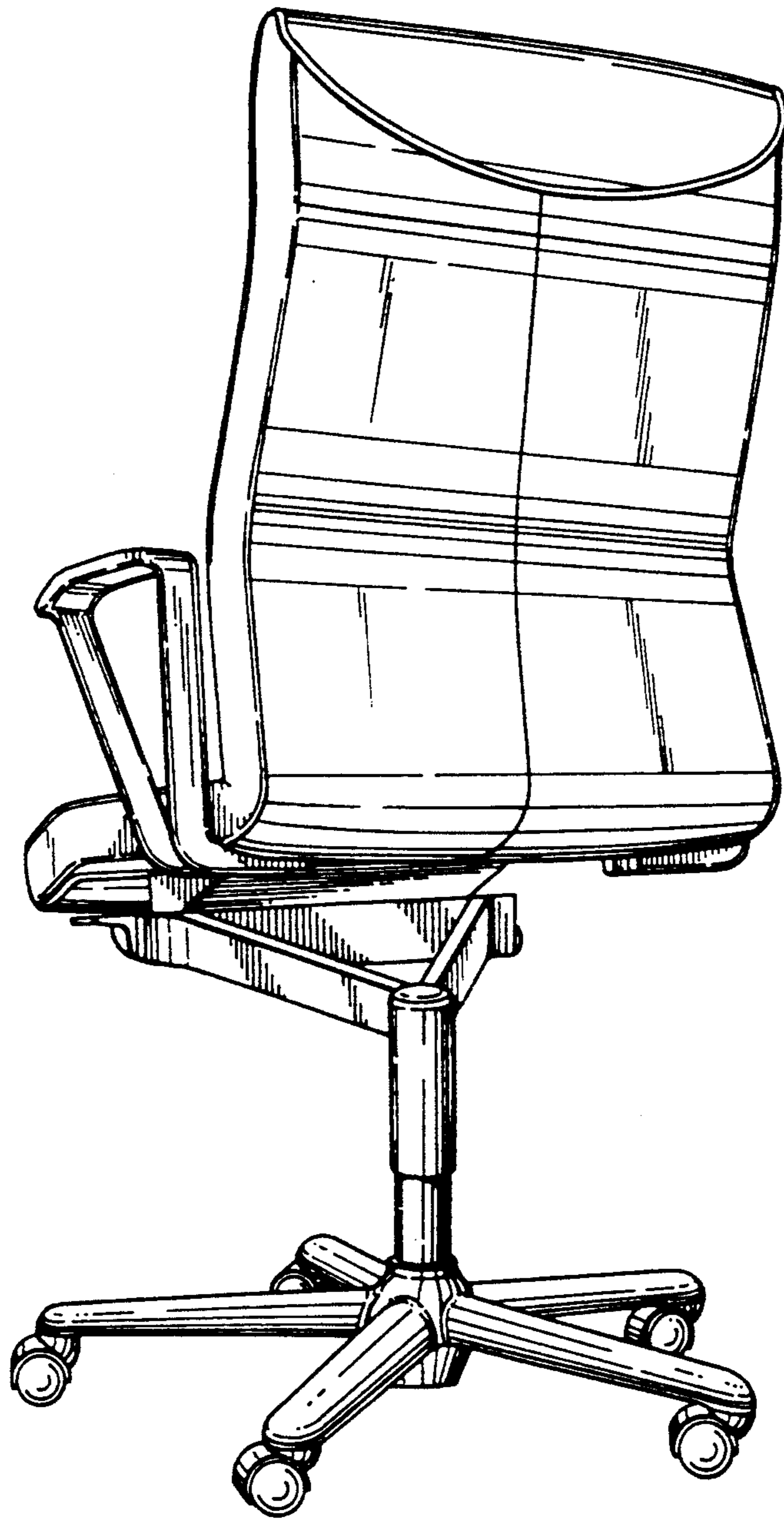
FIG. 2 is a rear perspective view thereof; and,

FIG. 3 is a left side elevational view, the right side being a mirror image thereof.

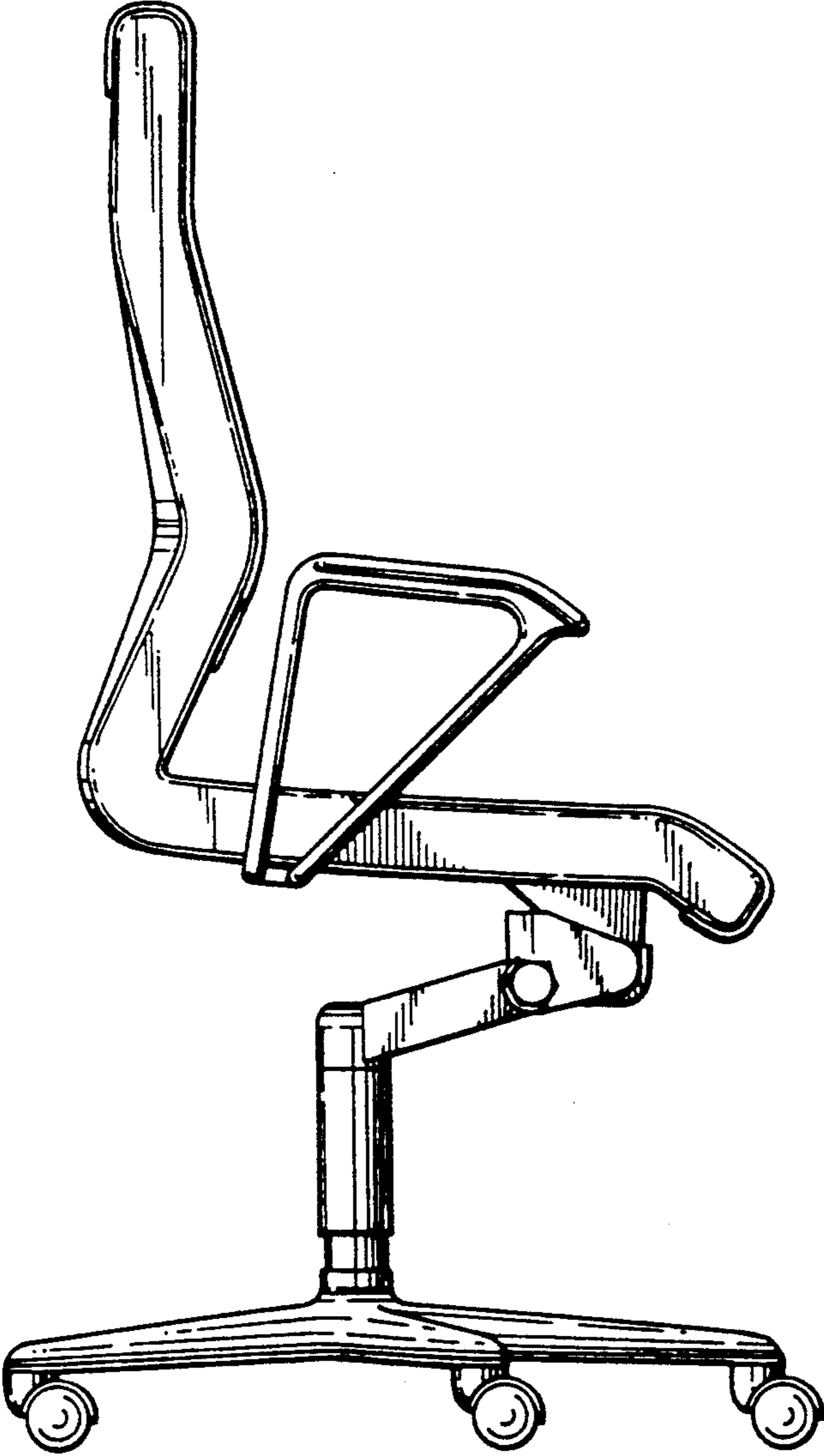




*FIG. 1*



**FIG. 2**



*FIG. 3*