



US00D345865S

United States Patent [19]

[11] Patent Number: **Des. 345,865**

Tintori

[45] Date of Patent: **** Apr. 12, 1994**

[54] **COMBINED SEAT AND FISHING TACKLE HOLDER**

3,967,869 7/1976 Jackson D3/38 X
4,128,170 12/1978 Elliott 206/315.11
4,790,432 12/1988 Rees 206/315.11

[76] Inventor: **John Tintori**, 2147 76th Ave.,
Elmwood Park, Ill. 60635

FOREIGN PATENT DOCUMENTS

[**] Term: **14 Years**

953035 11/1956 Fed. Rep. of Germany .
304321 1/1932 Italy .

[21] Appl. No.: **844,378**

Primary Examiner—Alan P. Douglas
Assistant Examiner—Gary D. Watson
Attorney, Agent, or Firm—Terry M. Gernstein

[22] Filed: **Feb. 28, 1992**

[52] U.S. Cl. **D6/336; D3/904**

[58] Field of Search **D6/334, 335, 336, 368,**
D6/380, 500, 501, 502; D3/38; 297/17, 183,
188, 192; D22/134

[57] CLAIM

The ornamental design for a combined seat and fishing tackle holder, as shown and described.

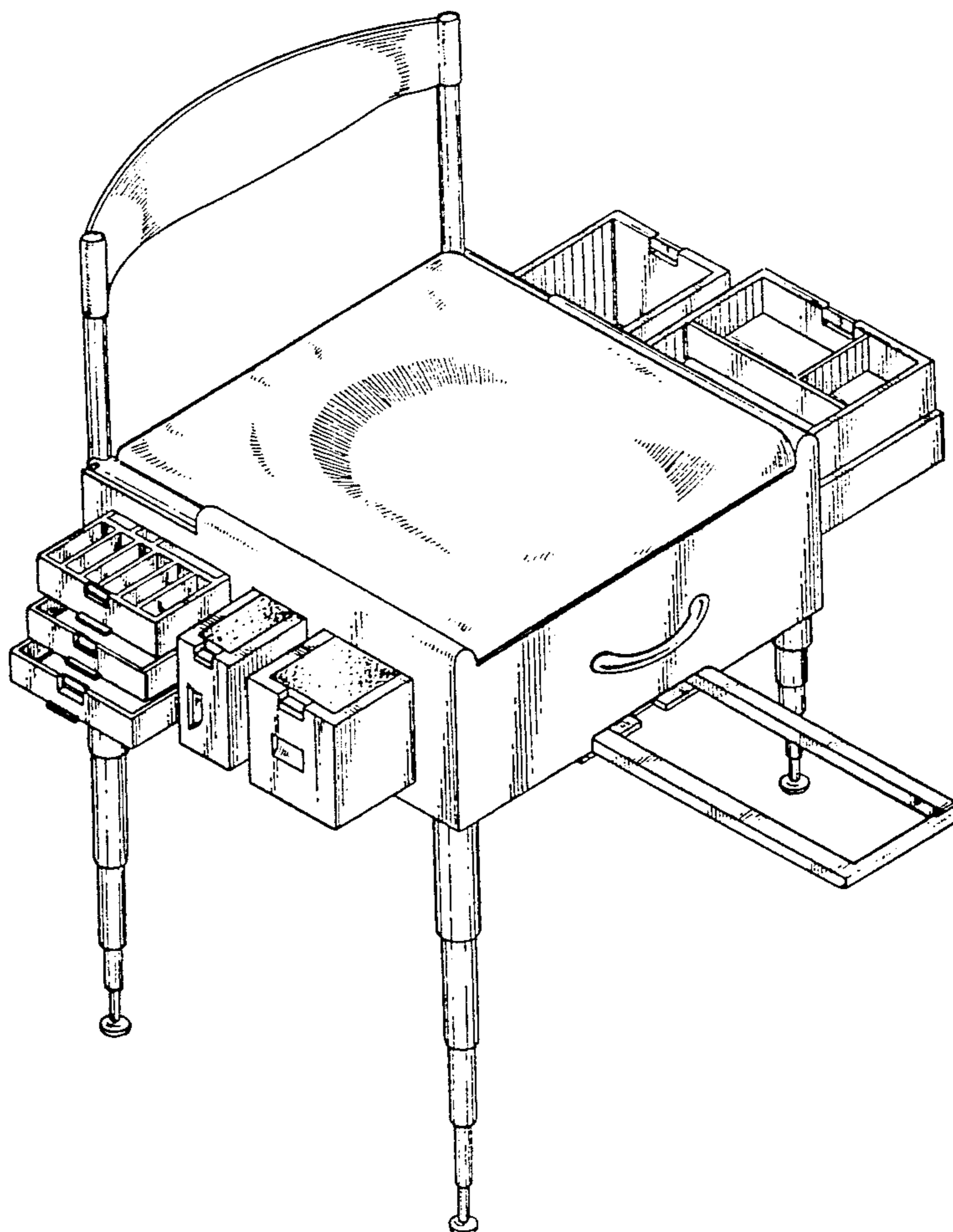
[56] References Cited

U.S. PATENT DOCUMENTS

D. 101,895	11/1936	Stoddard	D6/336
D. 133,094	7/1942	Amberton	D6/336
D. 200,309	2/1965	Sokolis	D6/336
D. 274,581	7/1984	Gallock	D6/336
D. 316,785	5/1991	Beane	D6/336
1,673,988	6/1928	Nitti	297/17 X
2,966,204	12/1960	Caravias	297/17
3,128,137	4/1964	Dokter	206/315.11
3,765,718	10/1973	Chen	297/17

DESCRIPTION

FIG. 1 is a perspective view of the combined seat and fishing tackle holder embodying the design of the present invention;
FIG. 2 is a left side elevational view thereof;
FIG. 3 is a right side elevational view thereof;
FIG. 4 is a front elevational view thereof;
FIG. 5 is a rear elevational view thereof;
FIG. 6 is a top plan view thereof; and,
FIG. 7 is a bottom view thereof.



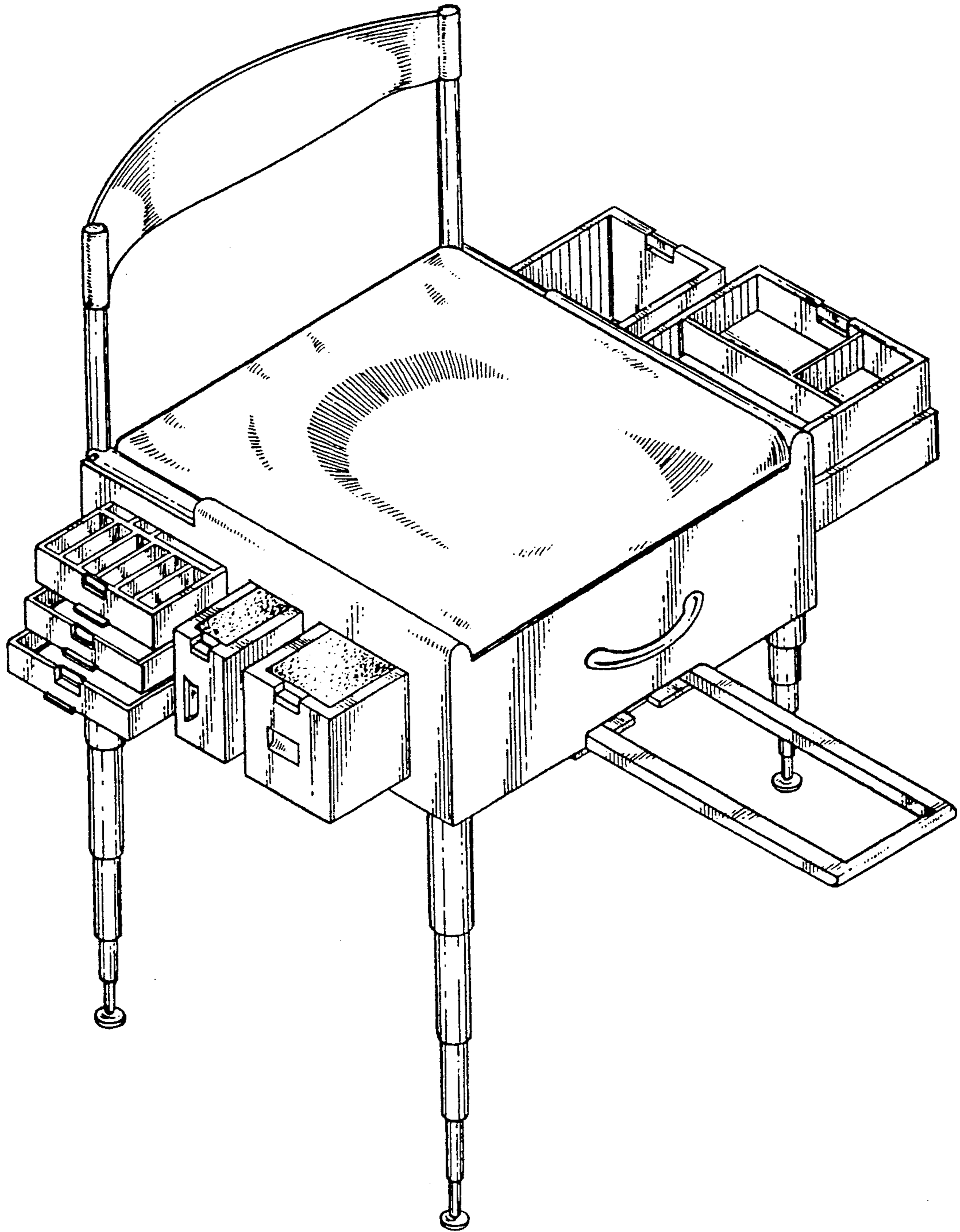


FIG. 1

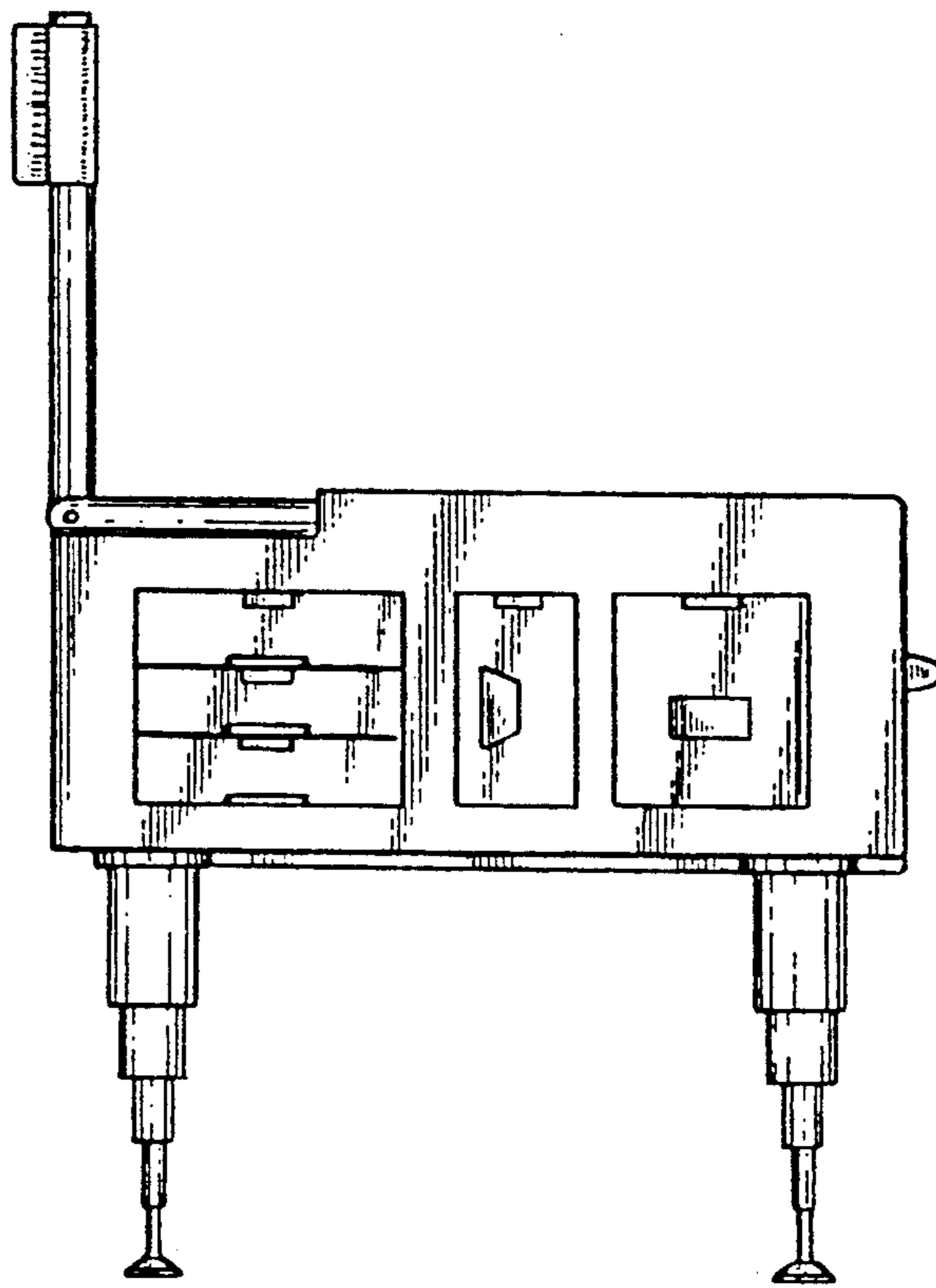


FIG. 2

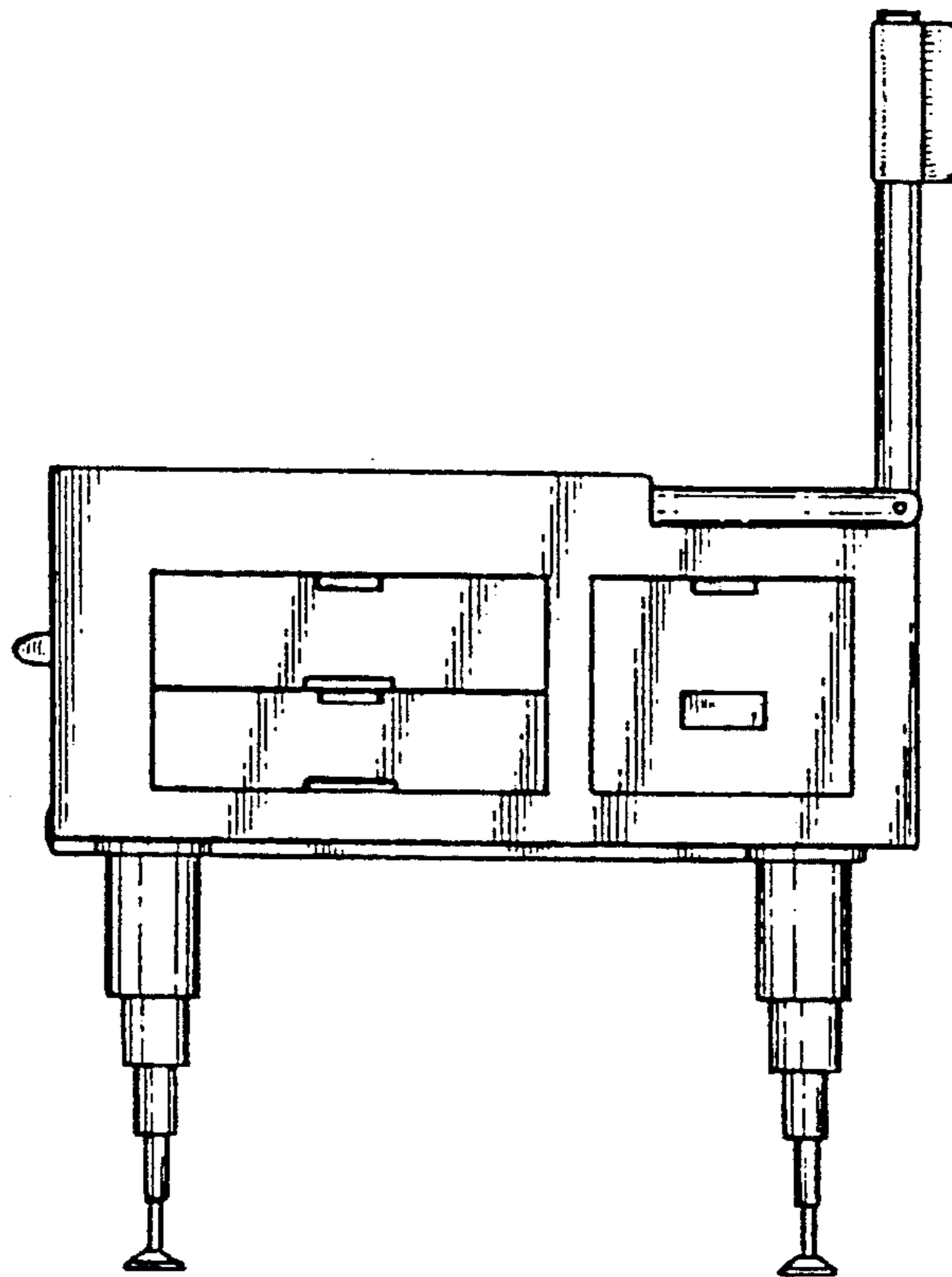


FIG. 3

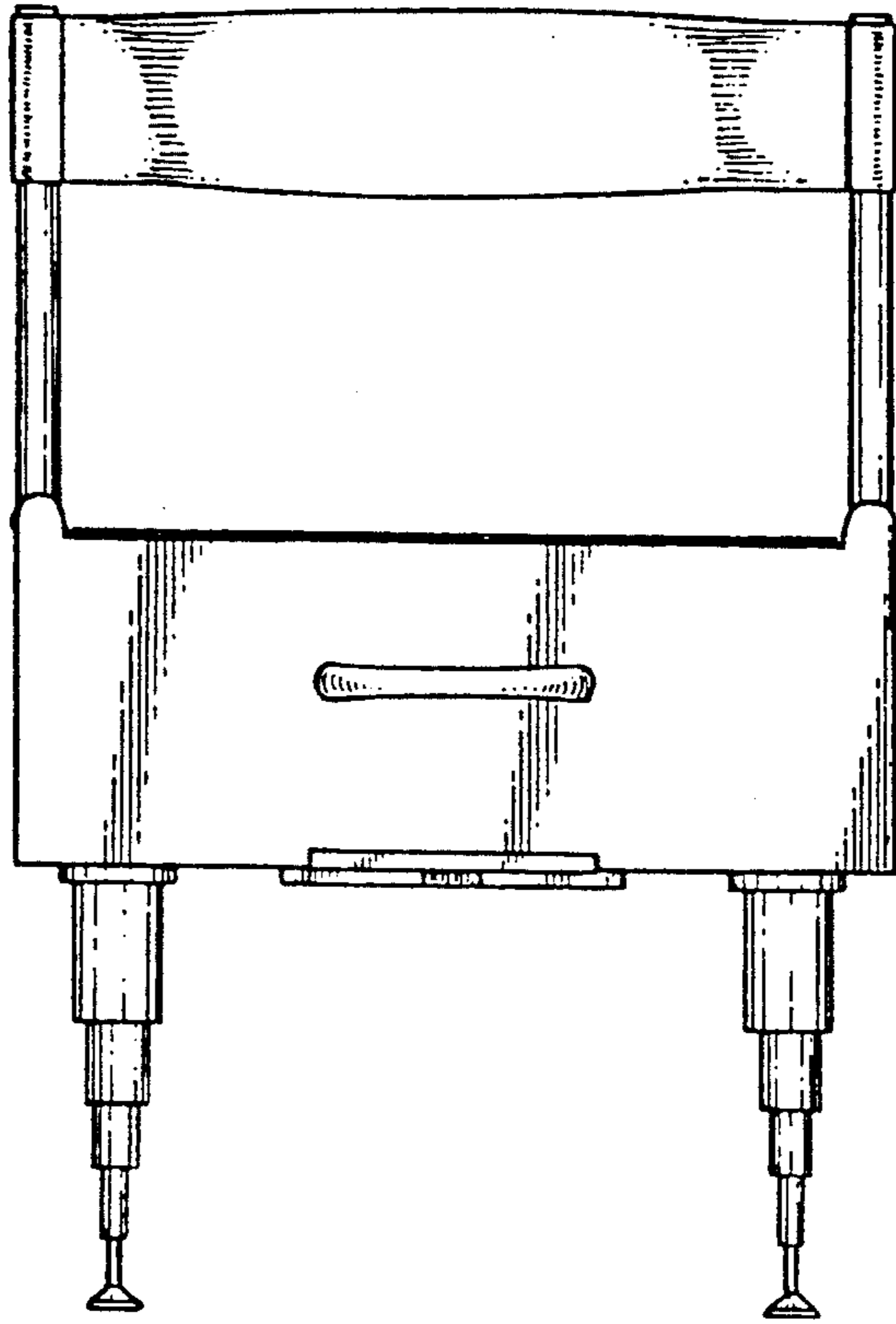


FIG. 5

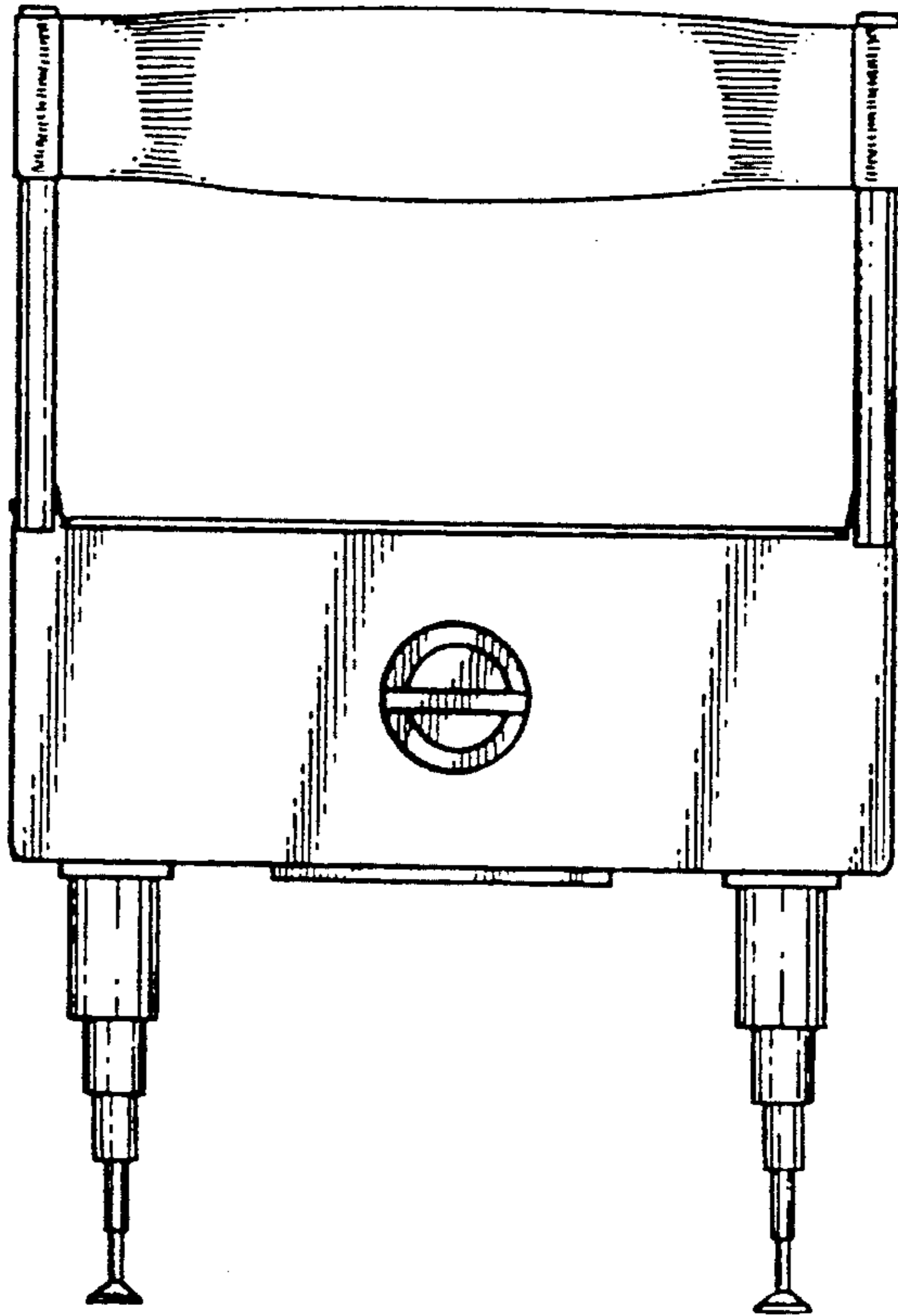


FIG. 4

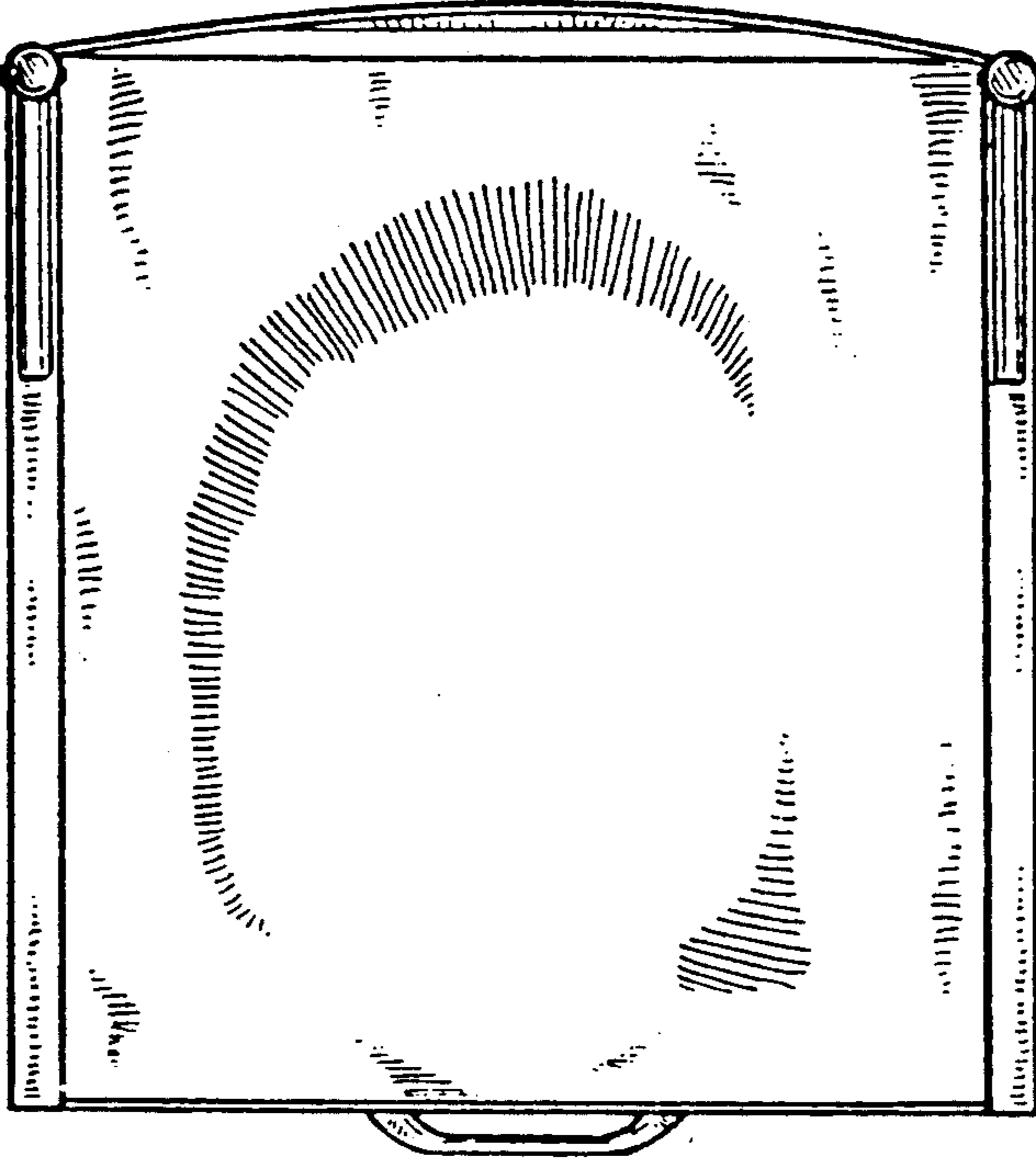


FIG. 6

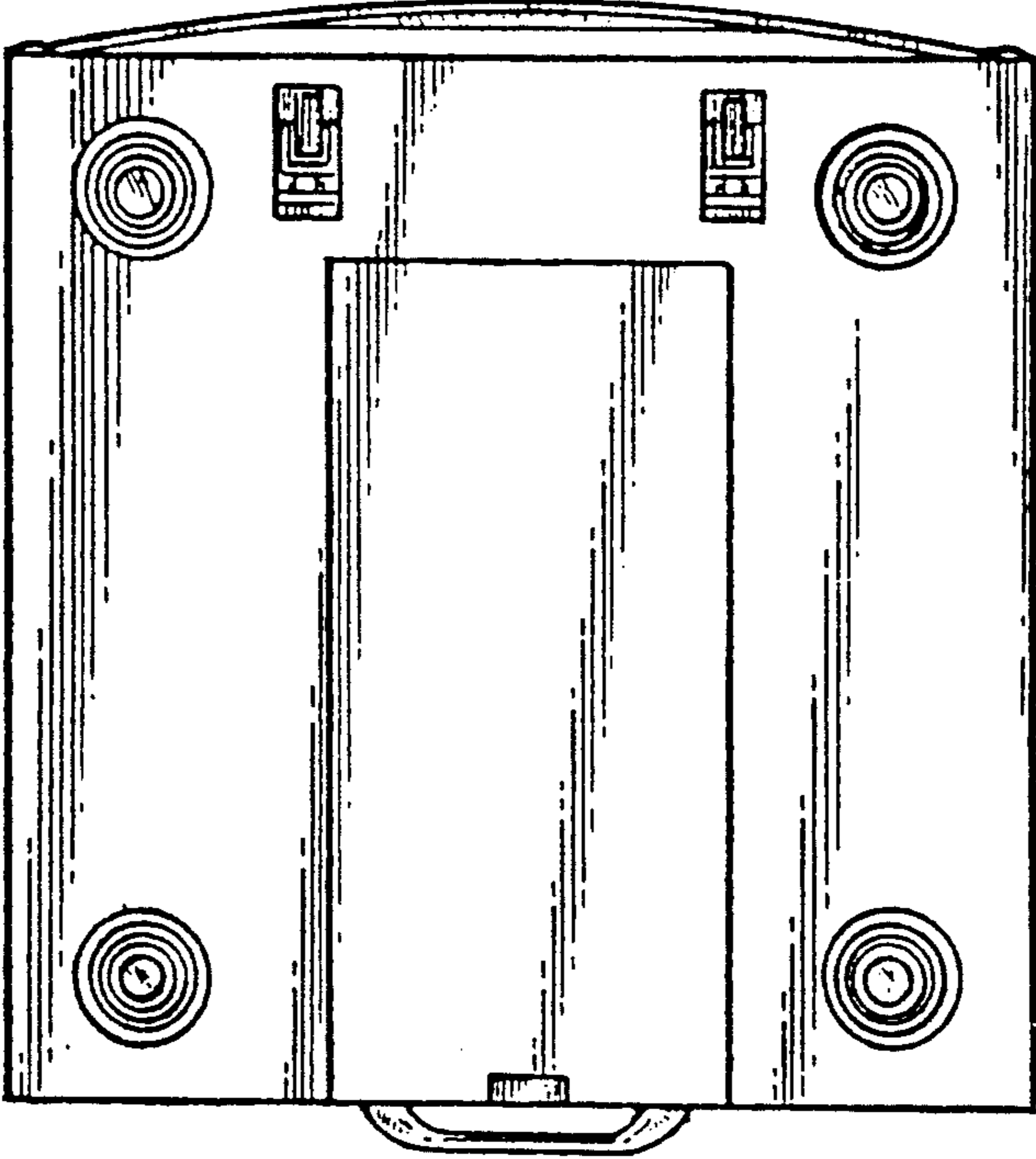


FIG. 7