



US00D345860S

United States Patent [19]
Lacy

[11] **Patent Number: Des. 345,860**
[45] **Date of Patent: ** Apr. 12, 1994**

[54] **CARD HOLDER JACKET**
[76] **Inventor: Rodney G. Lacy**, 1221 Heatherton Dr., Naperville, Ill. 60563
[**] **Term: 14 Years**
[21] **Appl. No.: 913,617**
[22] **Filed: Jul. 16, 1992**
[52] **U.S. Cl. D3/247**
[58] **Field of Search D3/40, 56-60; 40/904, 649, 651, 653; D19/88, 89, 10, 90, 91, 92; D20/43**

3,289,676 12/1966 Saunders D19/88 X
4,048,737 9/1977 McDermott 40/649
4,356,646 11/1982 Johnson, Jr. 40/651

Primary Examiner—Louis S. Zarfes
Attorney, Agent, or Firm—Hill, Steadman & Simpson

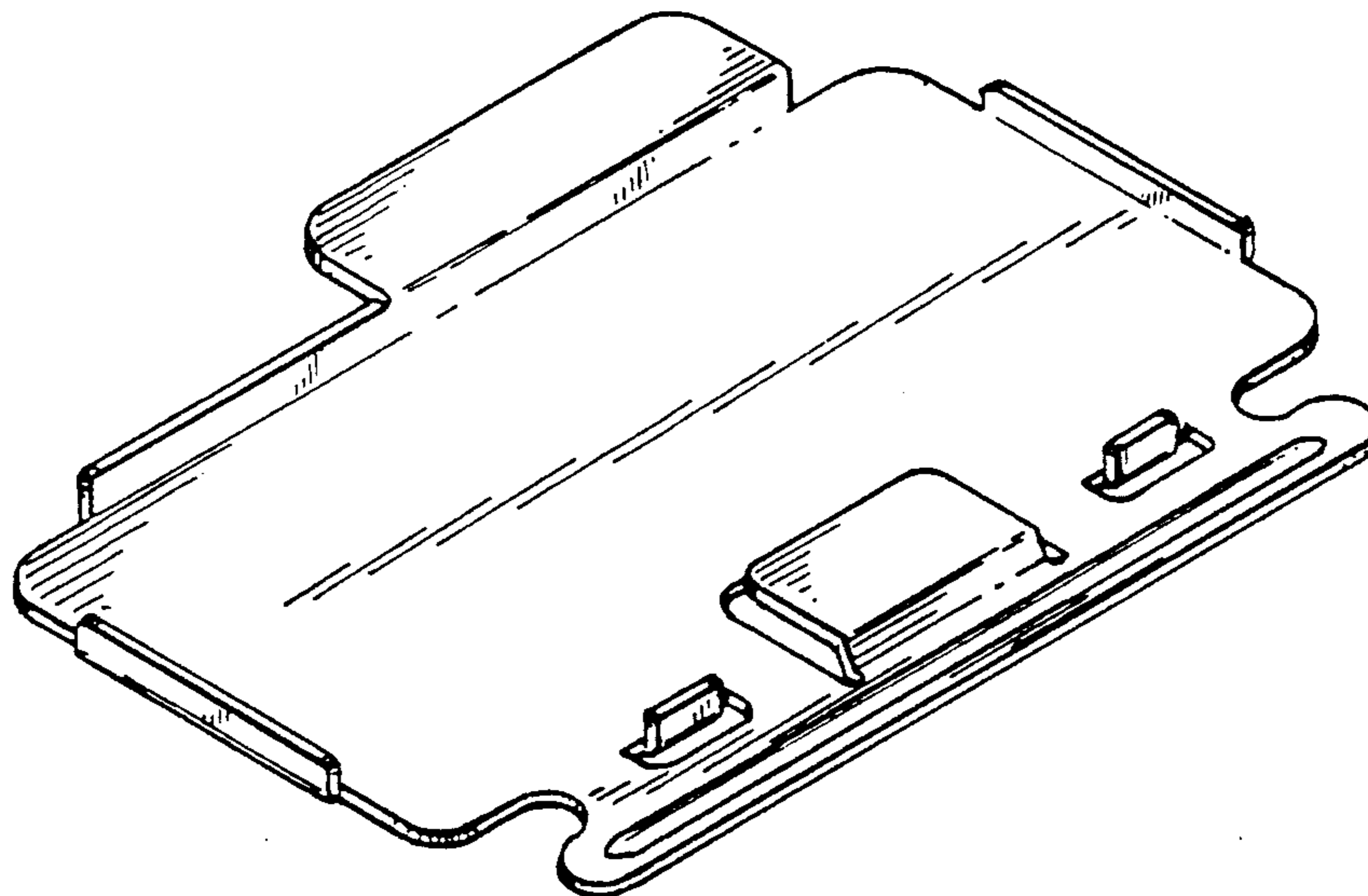
[57] **CLAIM**

The ornamental design for a card holder jacket, as shown and described.

DESCRIPTION

FIG. 1 is a perspective view of a card holder jacket showing my new design;
FIG. 2 is a right side view thereof;
FIG. 3 is a front view thereof;
FIG. 4 is a top view thereof;
FIG. 5 is a rear view thereof;
FIG. 6 is a left side view thereof; and,
FIG. 7 is a bottom view thereof.

[56] **References Cited**
U.S. PATENT DOCUMENTS
D. 273,002 3/1984 Schafer D3/40 X
760,381 5/1904 Callery et al. 40/653
3,029,537 4/1962 Hopp et al. 40/653



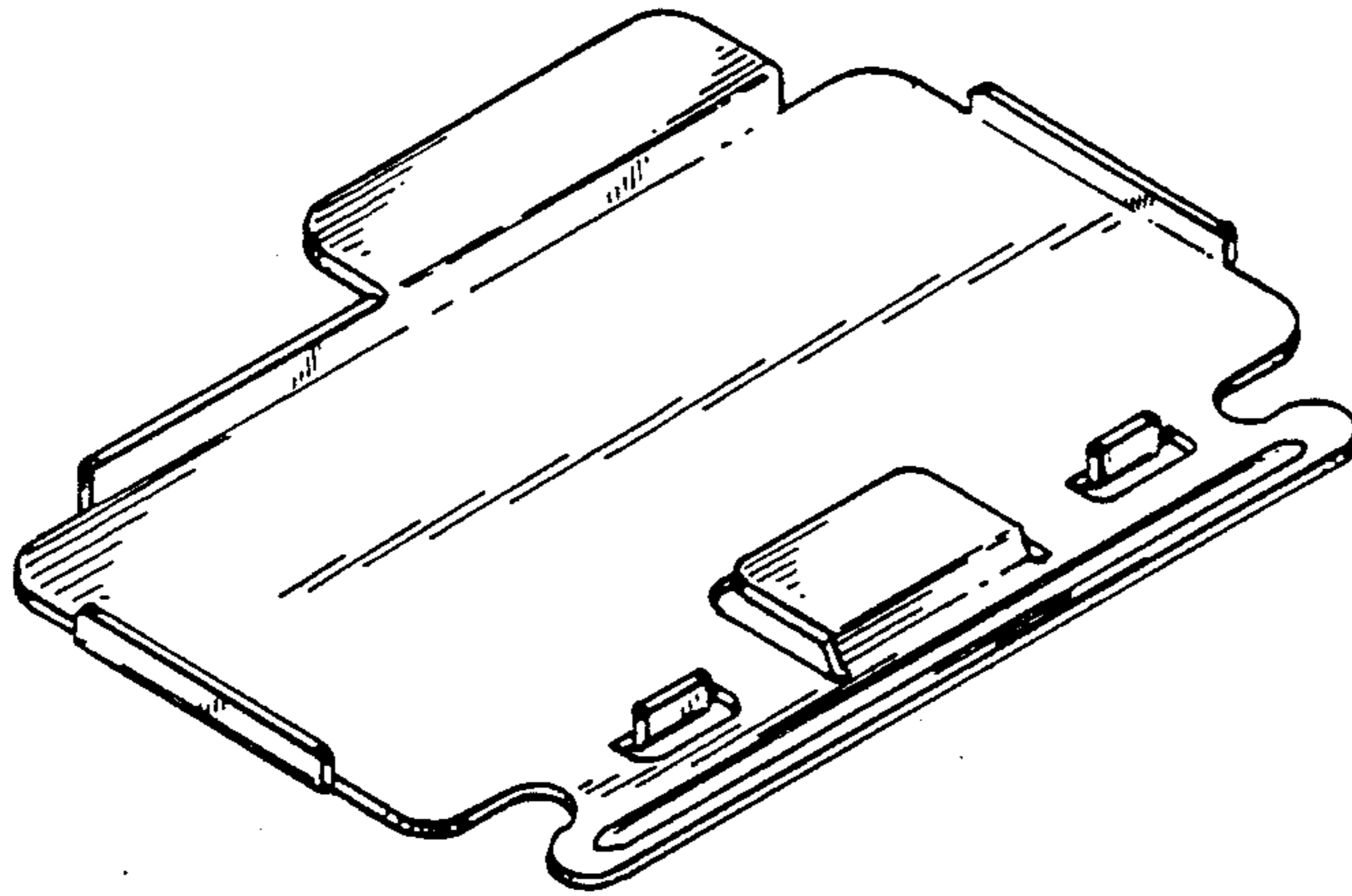


FIG. 1

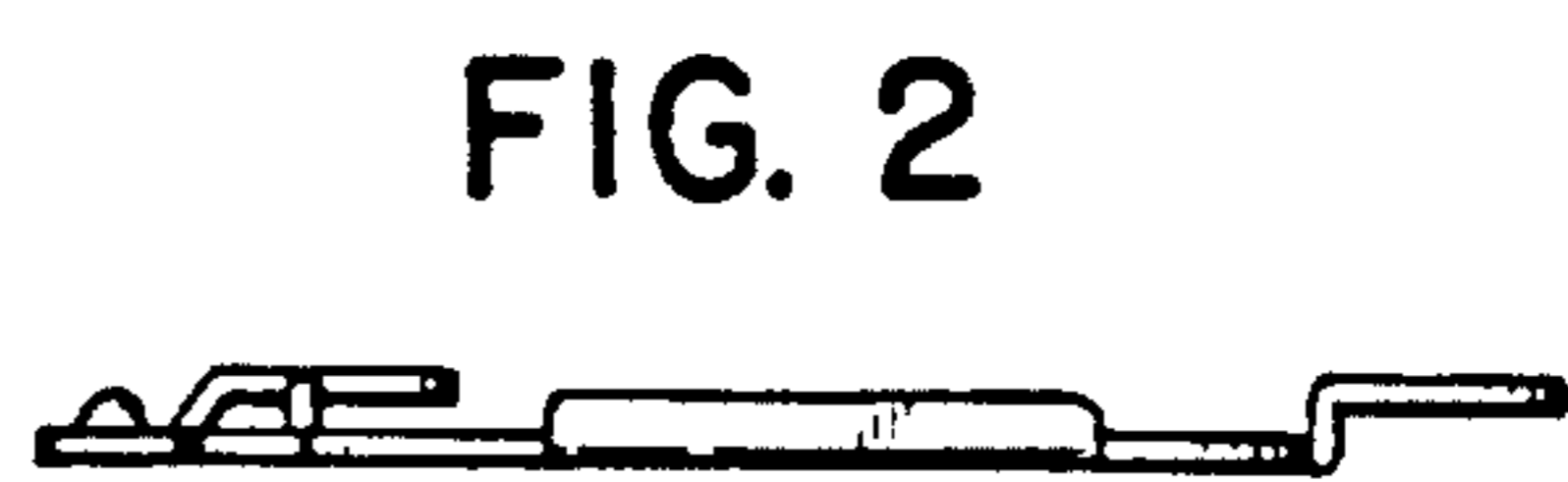


FIG. 2

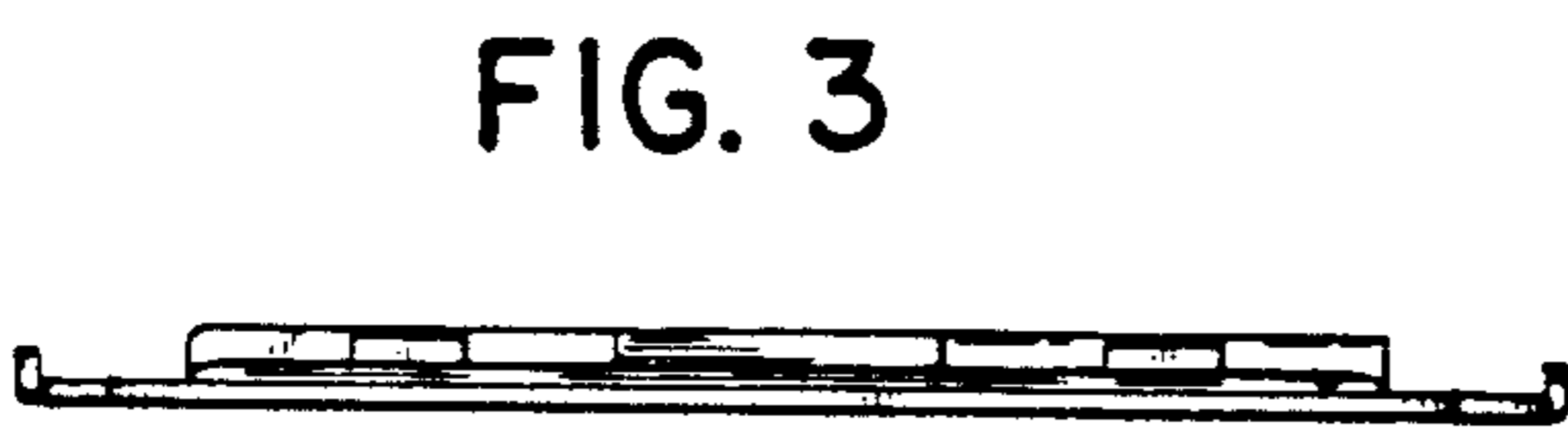


FIG. 3

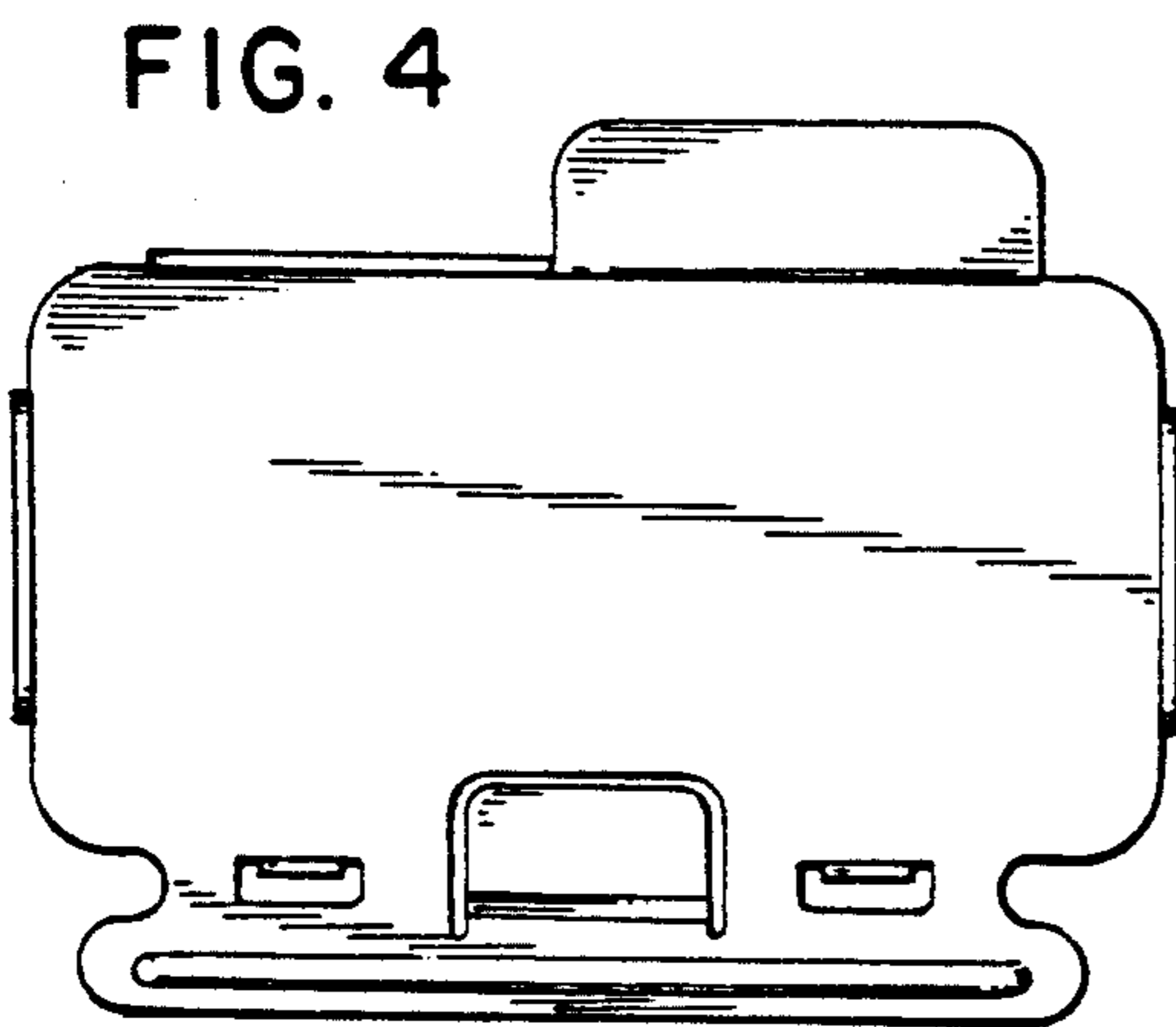


FIG. 4

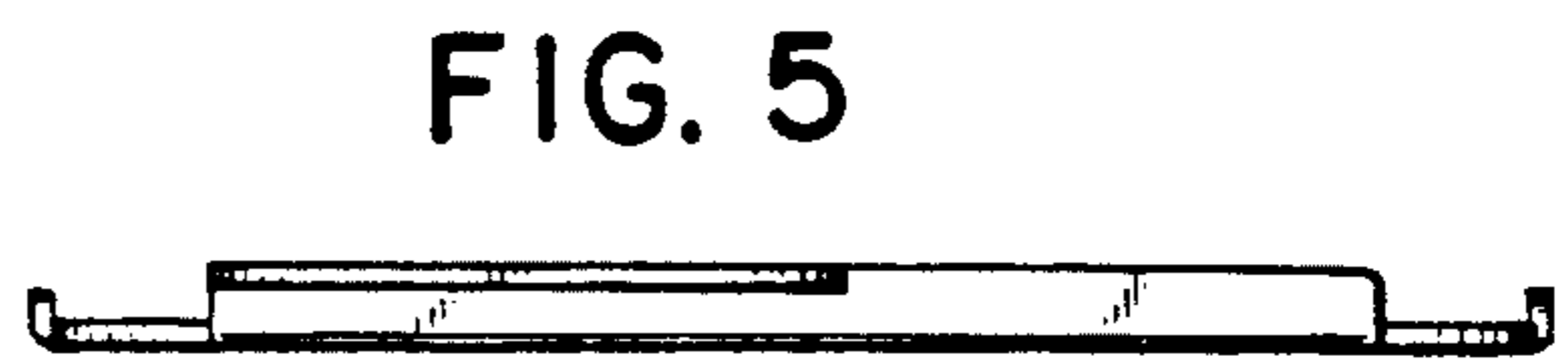


FIG. 5

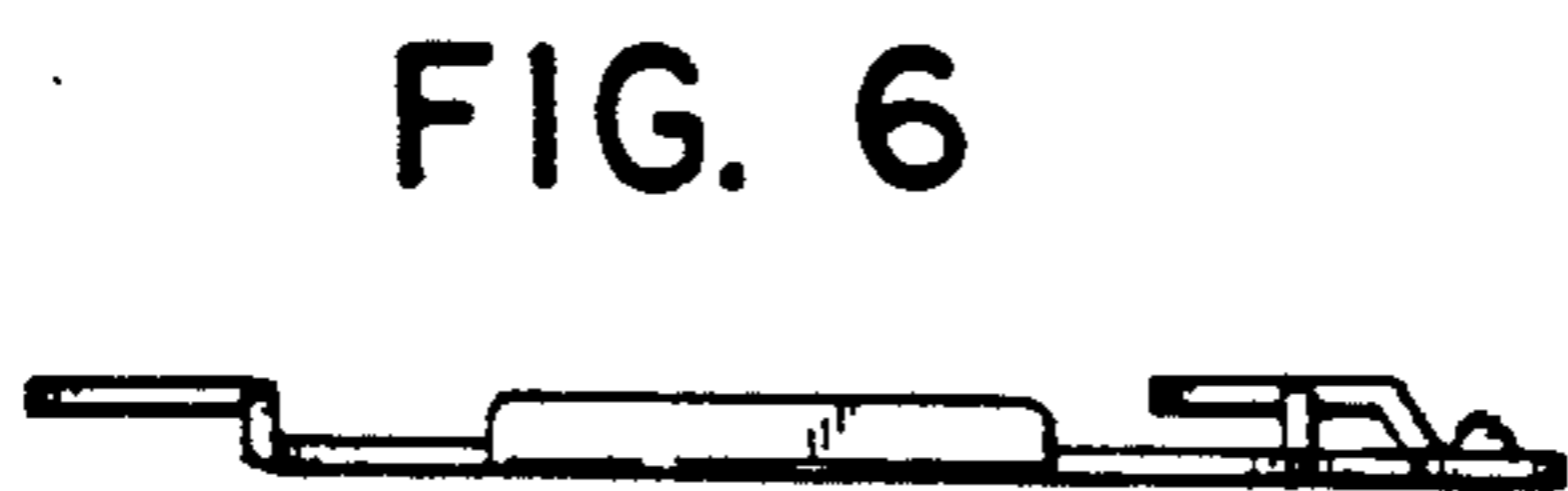


FIG. 6

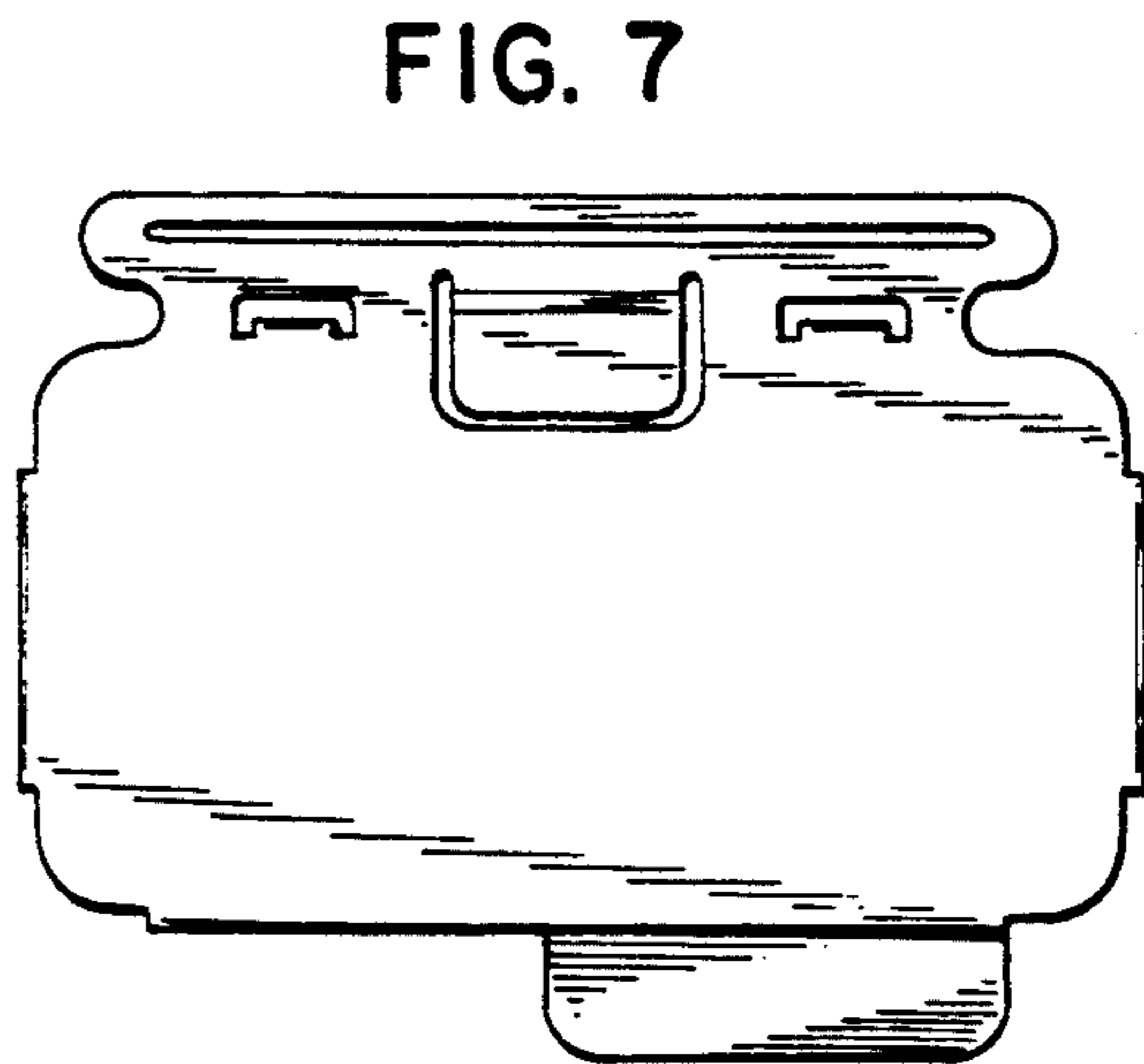


FIG. 7