



US00D345857S

United States Patent [19]

[11] Patent Number: **Des. 345,857**

Franke

[45] Date of Patent: **** Apr. 12, 1994**

[54] **SPOOL HOLDER**

4,948,064 8/1990 Richard 242/129.5 X
4,955,557 9/1990 Sewell et al. 242/139 X

[76] Inventor: **Robert W. Franke, 750 Arncliffe Rd., Baltimore, Md. 21221**

Primary Examiner—Wallace R. Burke
Assistant Examiner—H. Baynham
Attorney, Agent, or Firm—S. Michael Bender

[**] Term: **14 Years**

[21] Appl. No.: **757,509**

[57] **CLAIM**

The ornamental design for a spool holder, as shown and described.

[22] Filed: **Sep. 11, 1991**

[52] U.S. Cl. **D3/24**

[58] Field of Search **D8/358; D3/24-26; 242/131, 129.6, 139, 129.5; D15/78**

DESCRIPTION

FIG. 1 is a front elevational view of the spool holder showing my new design;
FIG. 2 is a rear elevational view thereof;
FIG. 3 is a left side elevational view thereof;
FIG. 4 is a right side elevational view thereof;
FIG. 5 is a top plan view thereof;
FIG. 6 is a bottom plan view thereof; and,
FIG. 7 is an isometric view thereof.

The broken line showing of a spool and flexible material are for illustrative purposes only and form no part of the claimed design.

[56] **References Cited**

U.S. PATENT DOCUMENTS

D. 123,239	10/1940	Eskowski	D3/25
D. 174,217	3/1955	Drengwitz et al.	D3/25
D. 256,330	8/1980	Becker	D8/358
D. 314,909	2/1991	Schmidt	D8/358
1,061,590	5/1913	Bennet	D3/24 X
4,059,243	11/1977	Hartley	242/129.6
4,284,180	8/1981	Masters	D8/359 X

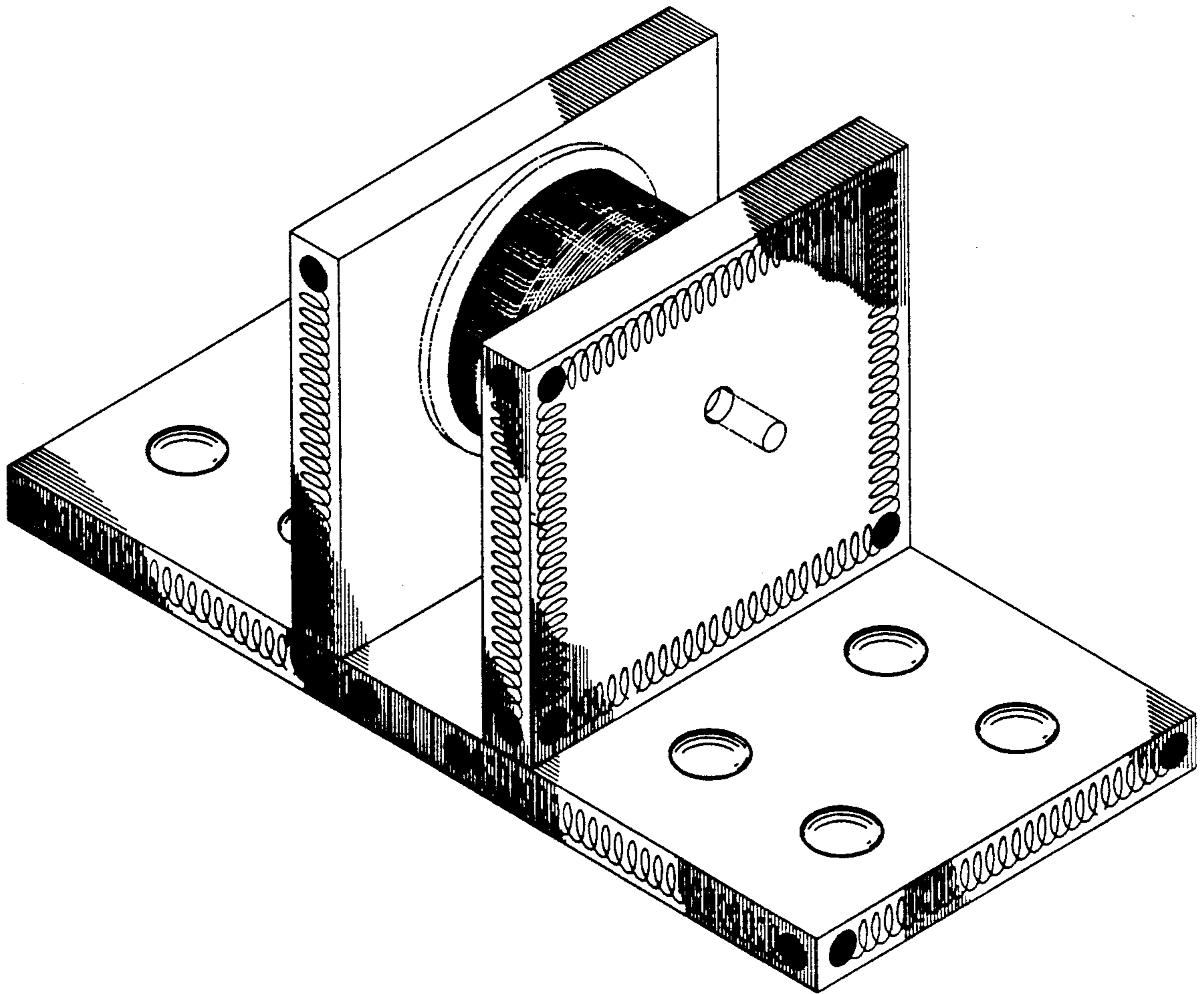


FIG. 1

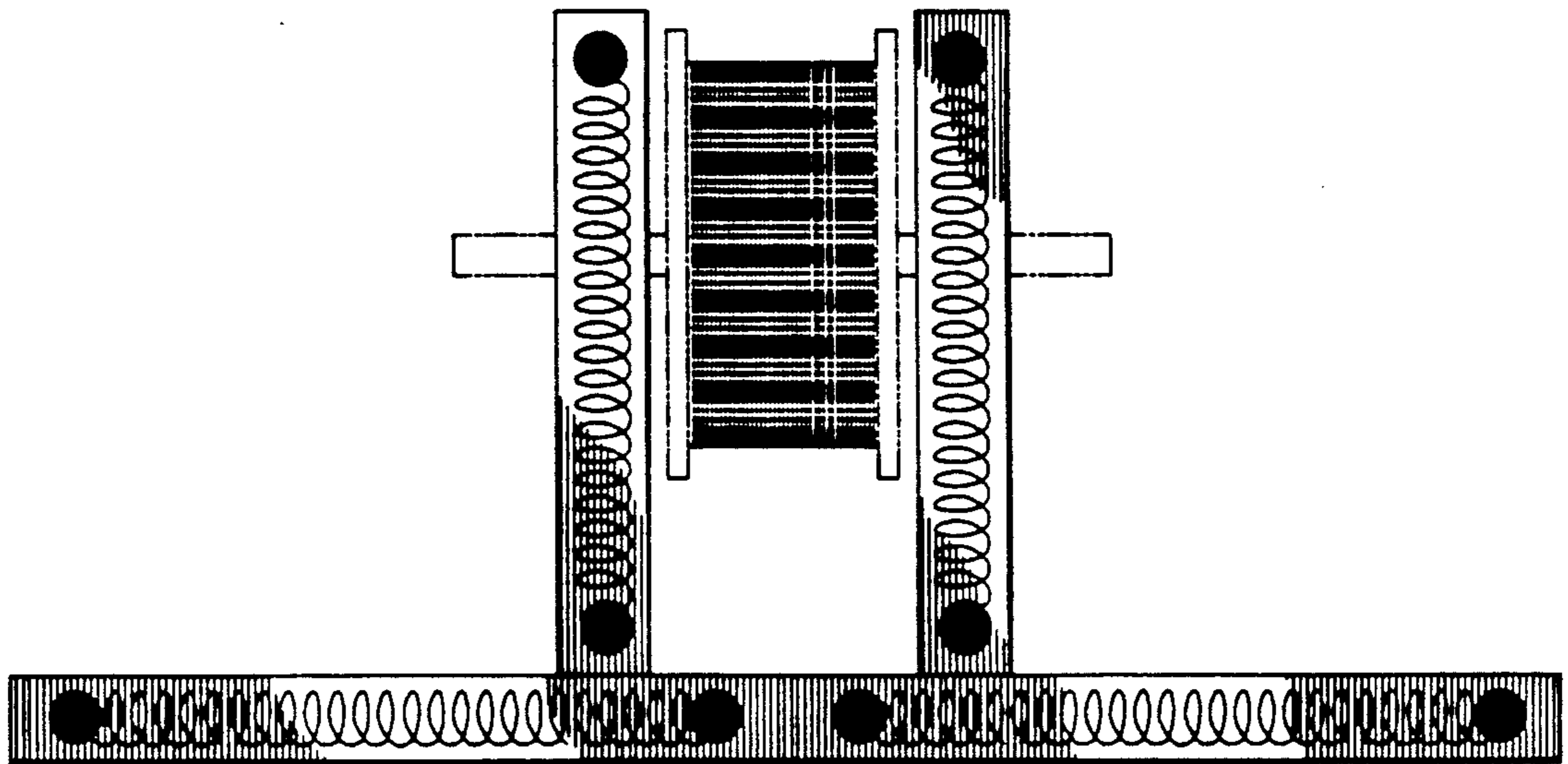


FIG. 2

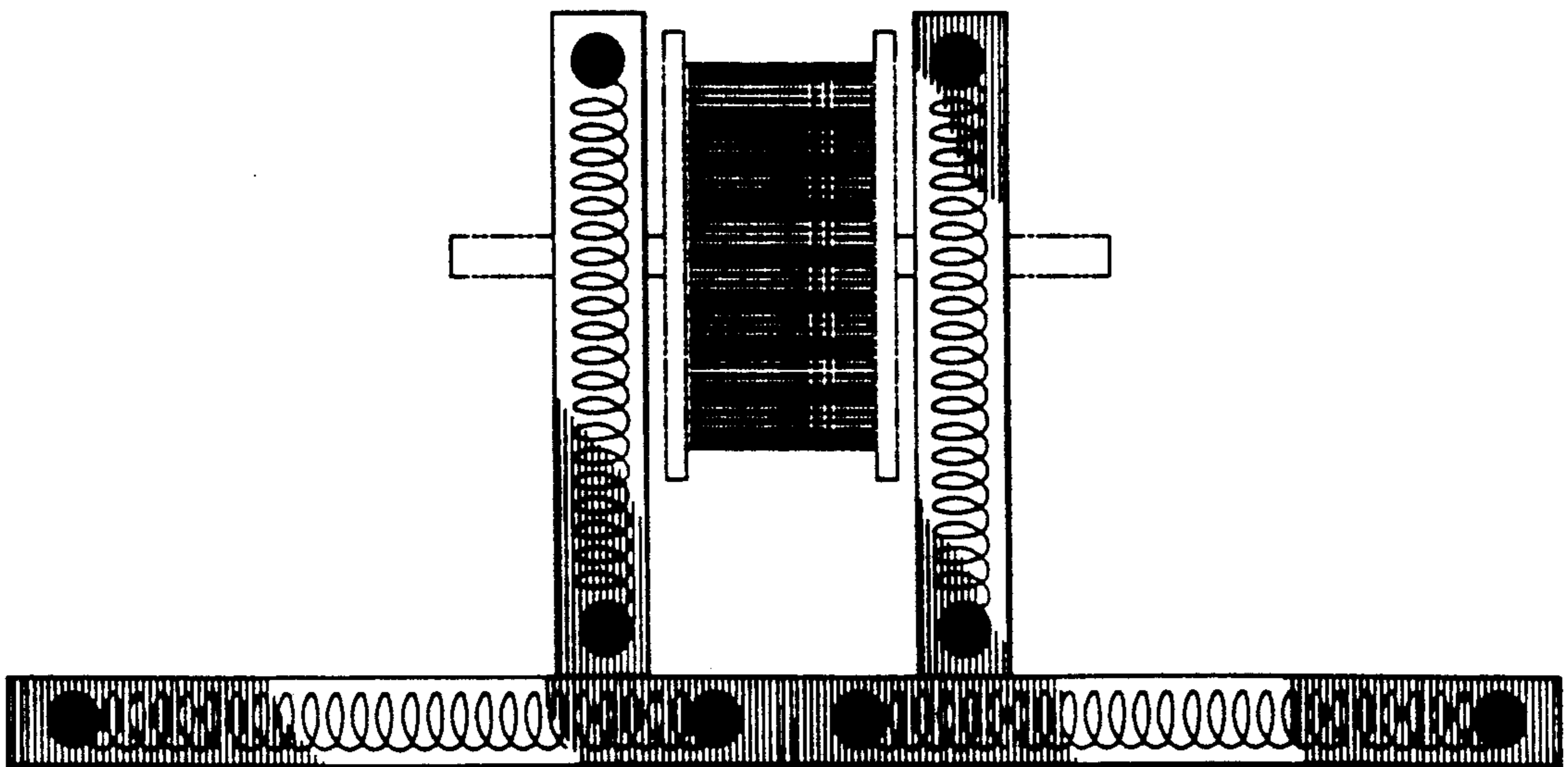


FIG. 3

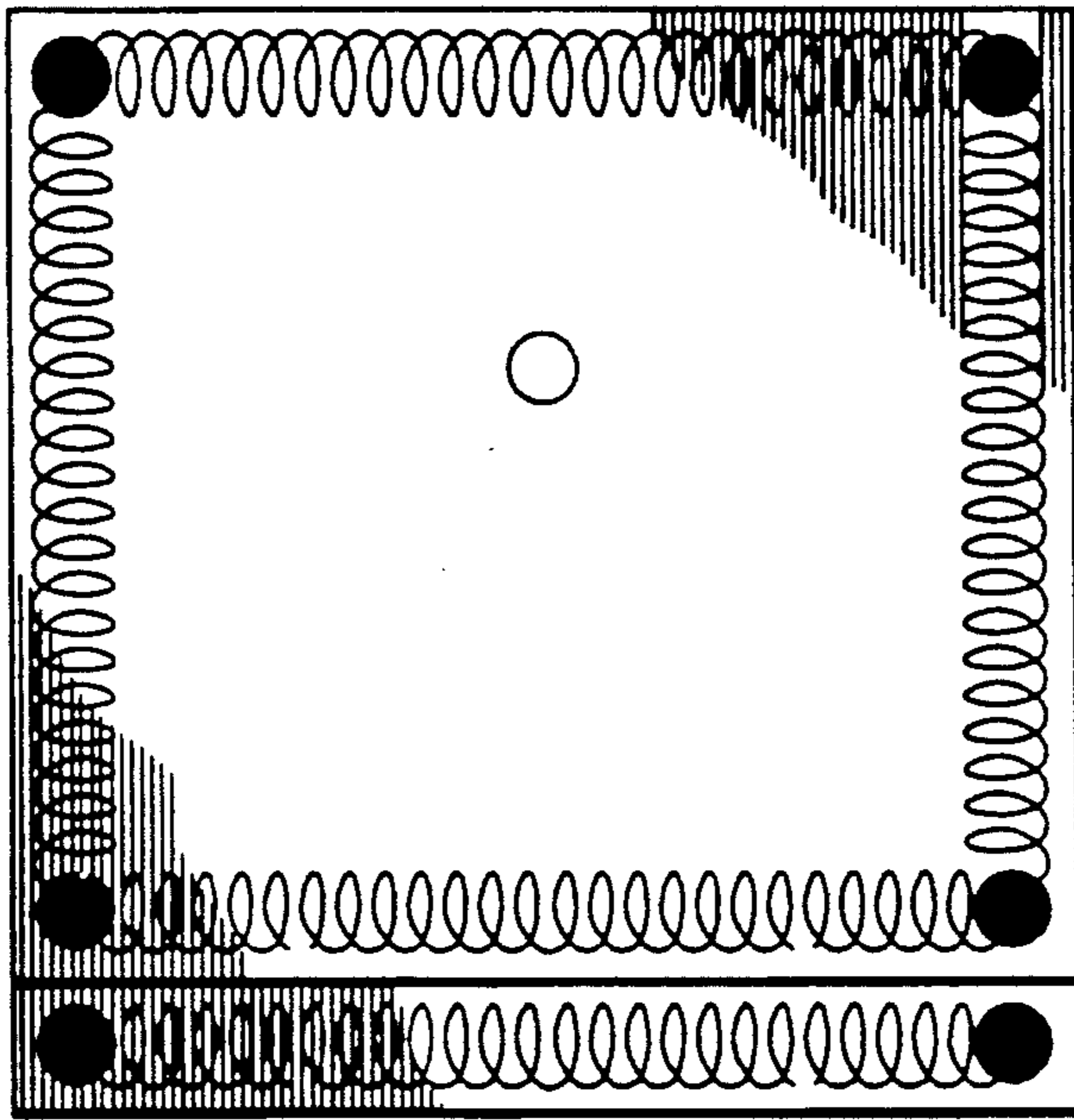


FIG. 4

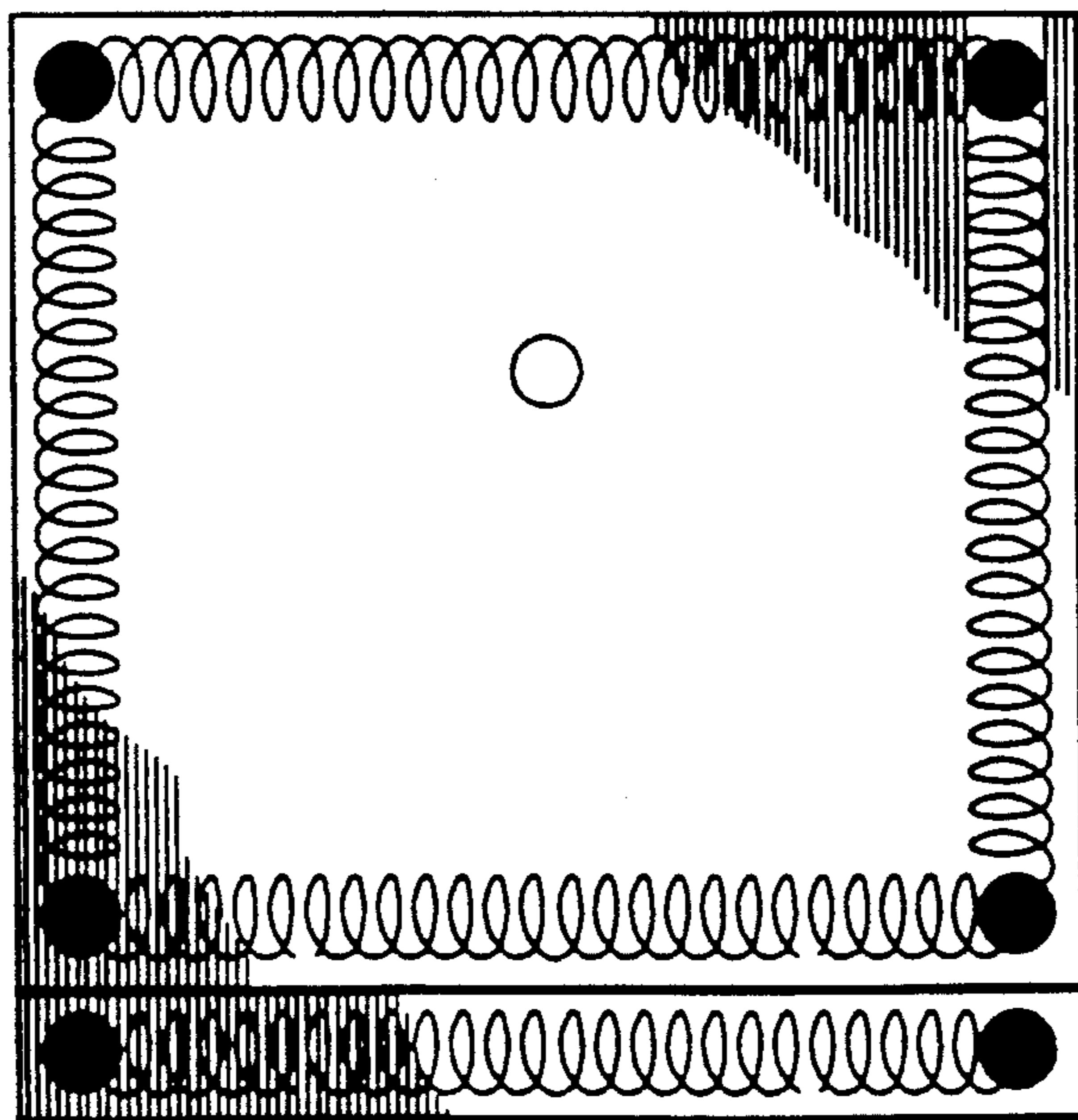


FIG. 5

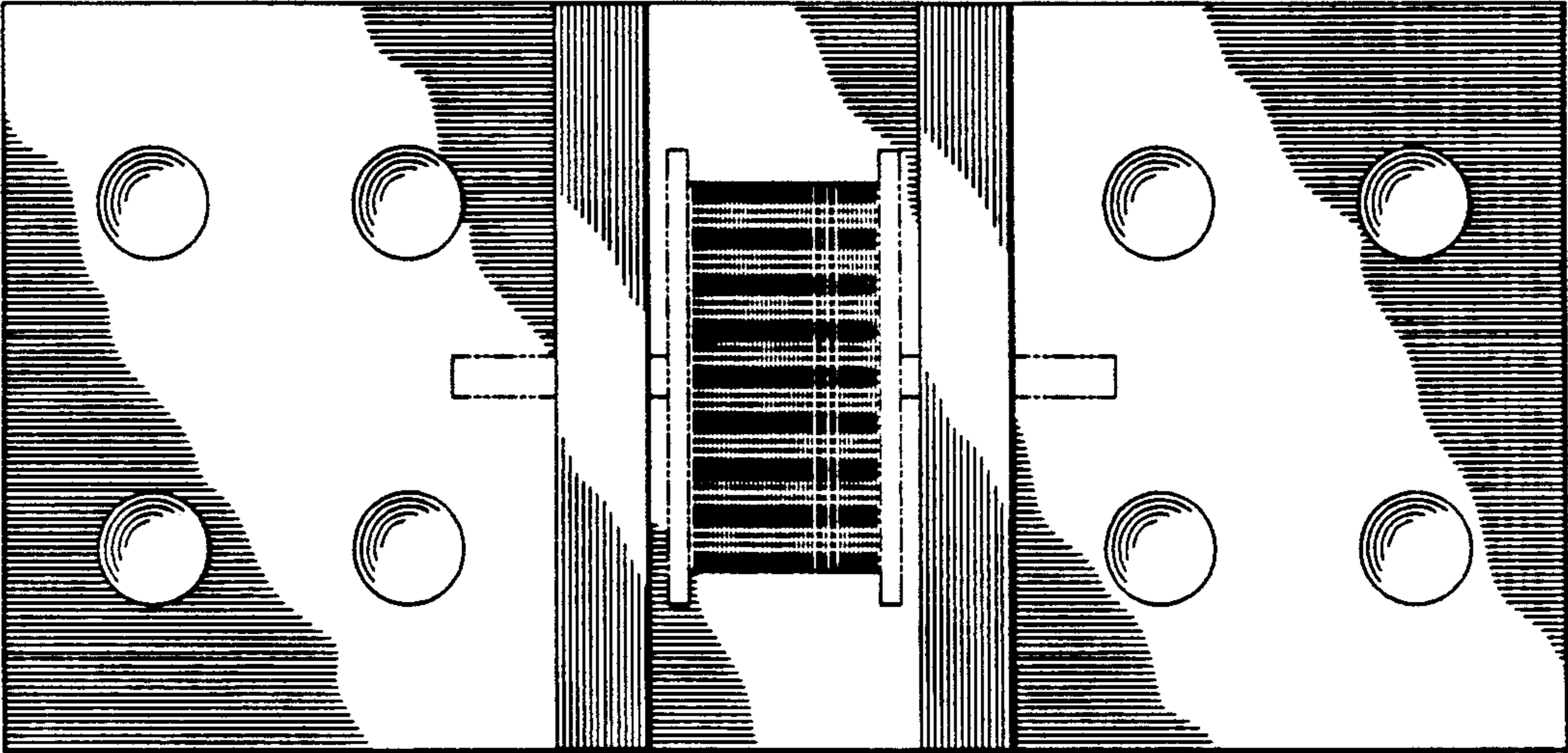


FIG. 6



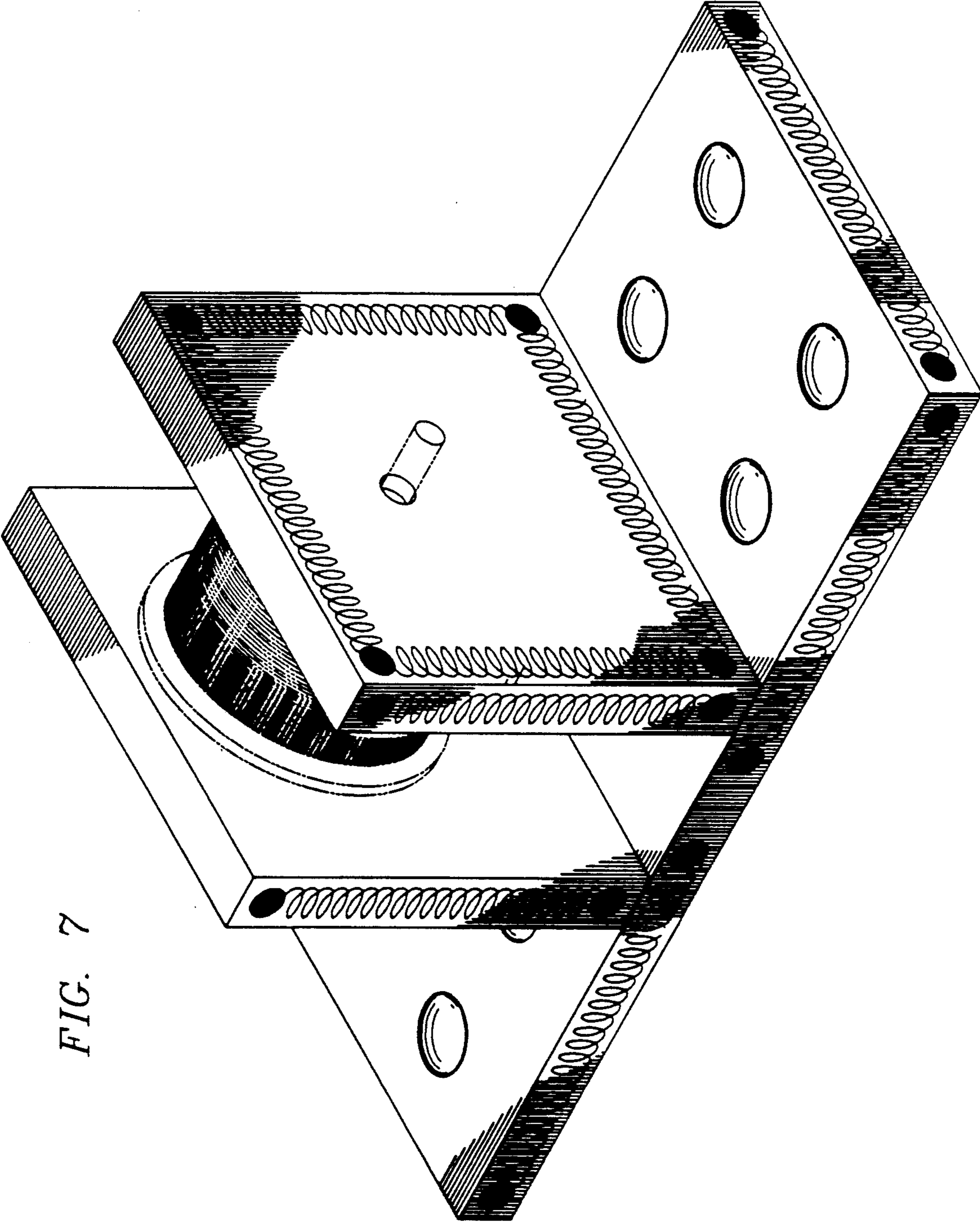


FIG. 7