



US00D345856S

United States Patent [19]

[11] Patent Number: Des. 345,856

Johnson

[45] Date of Patent: ** Apr. 12, 1994

[54] BODY ATTACHABLE UMBRELLA SUPPORT

3,204,650 9/1965 Shinew 135/16

[76] Inventor: Torrance K. Johnson, 1250 NW. 191 St., Miami, Fla. 33169

Primary Examiner—Louis S. Zarfes
Attorney, Agent, or Firm—S. Michael Bender

[**] Term: 14 Years

[57] CLAIM

[21] Appl. No.: 889,760

The ornamental design for a body attachable umbrella support, as shown and described.

[22] Filed: May 29, 1992

DESCRIPTION

[52] U.S. Cl. D3/10

[58] Field of Search D3/5-17;
135/15.1-19.5, 20.1, 25.4, 25.1-25.3,
25.31-25.34, 25.41, 33.2, 34.2, 66, 910, 911

FIG. 1 is a front elevational view of the body attachable umbrella support showing a use of my new design; FIG. 2 is a rear elevational view thereof; FIG. 3 is a left side elevational view thereof; FIG. 4 is a right side elevational view thereof; FIG. 5 is a top plan view thereof; and, FIG. 6 is a bottom plan view thereof.

[56] References Cited

U.S. PATENT DOCUMENTS

725,069 4/1903 Gill 135/20.1 X
2,496,769 2/1950 Battle 135/20.1 X

The broken line showing of an umbrella in FIG. 1 is for illustrative purposes only and forms no part of the claimed design.

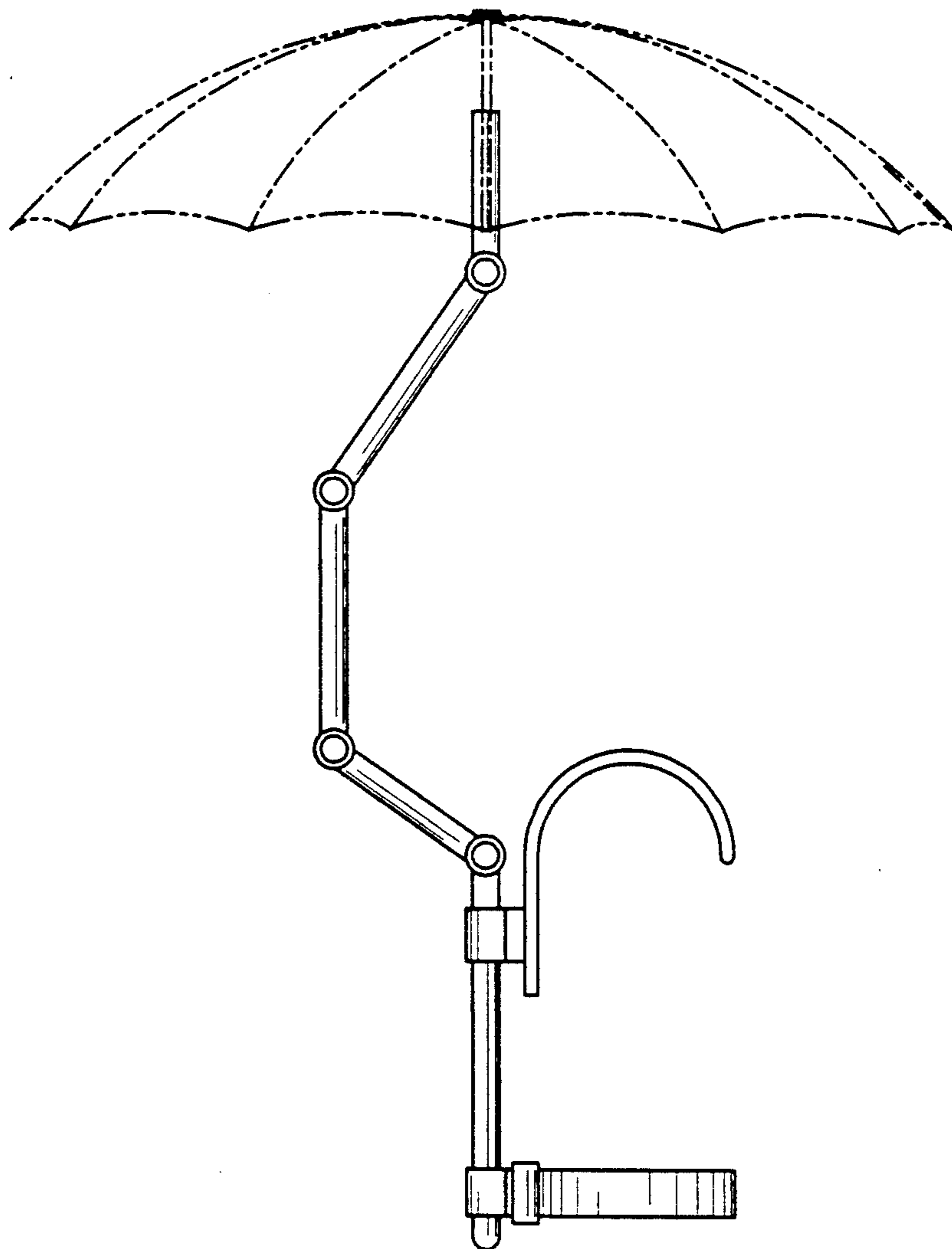


FIG. 1

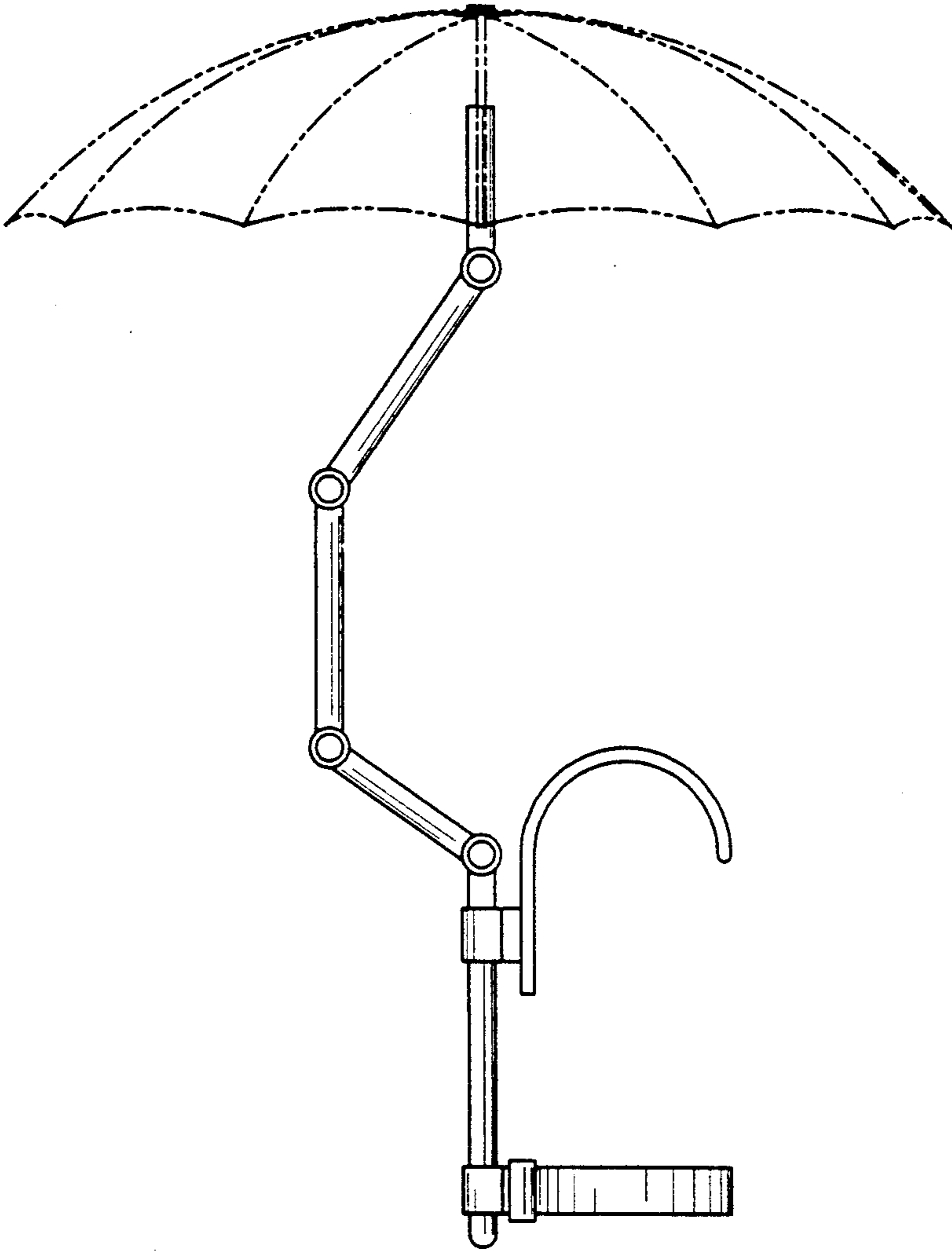


FIG. 2

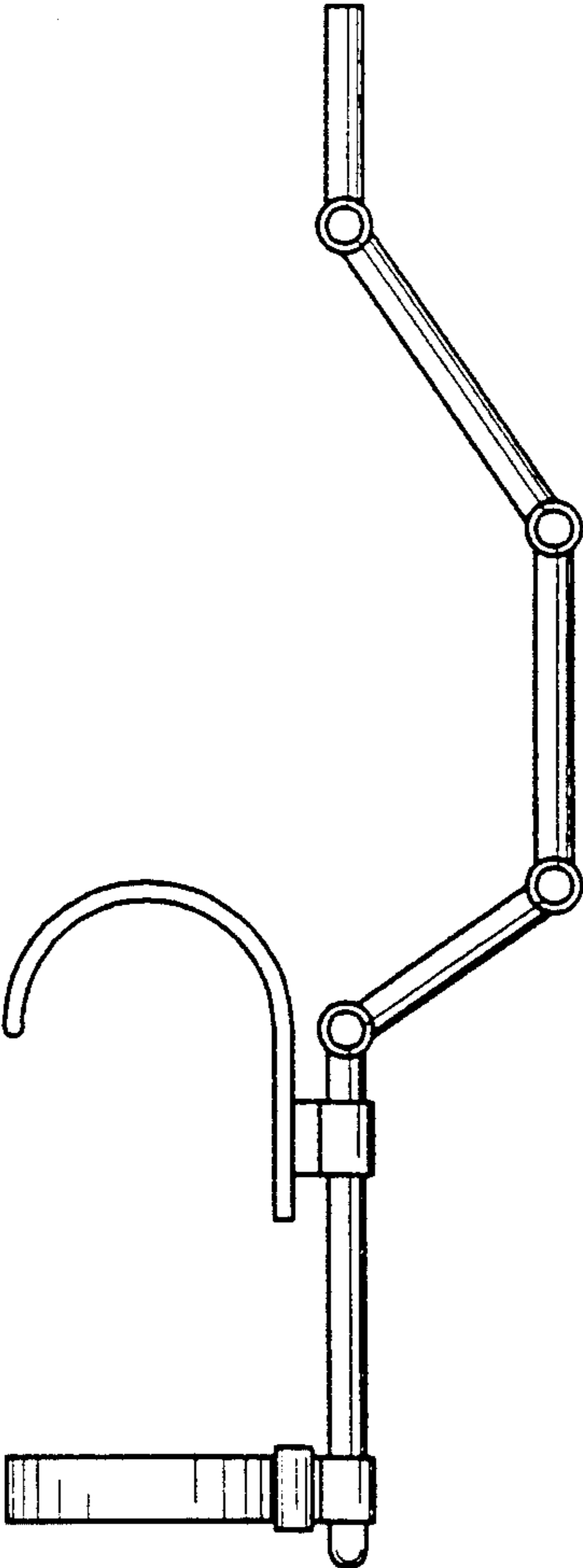


FIG. 3

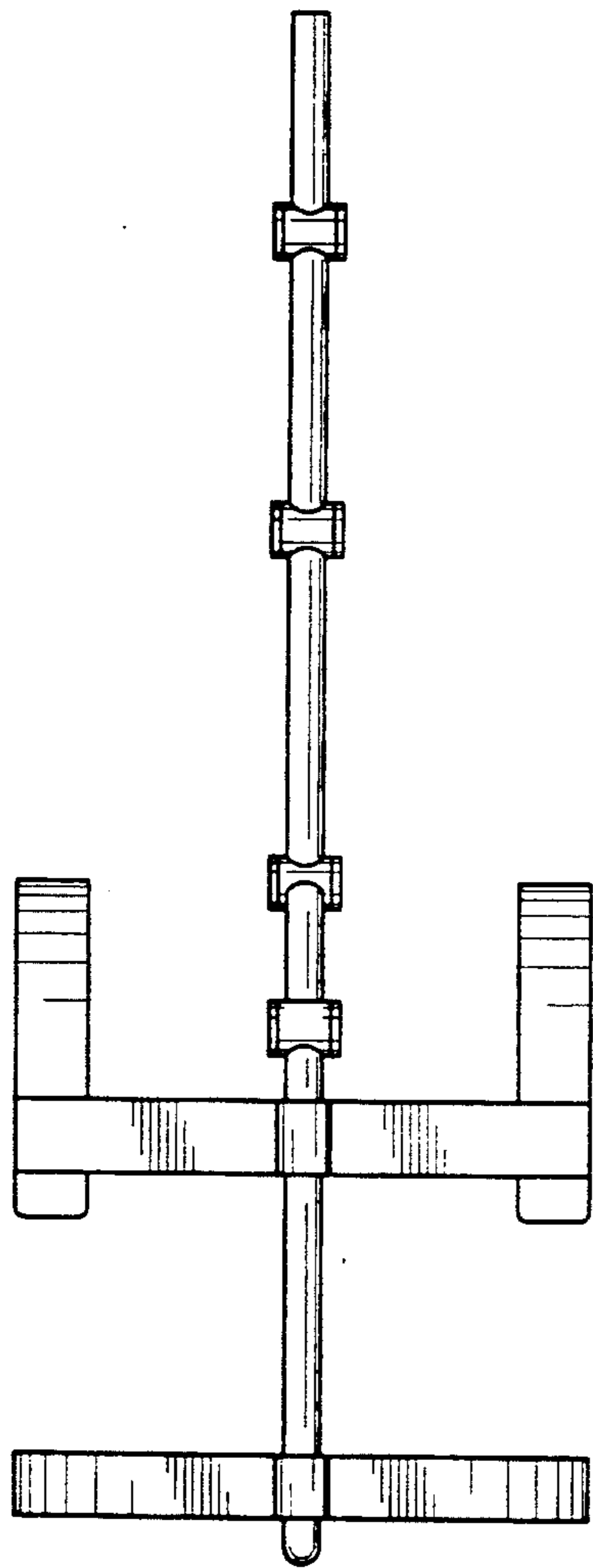


FIG. 4

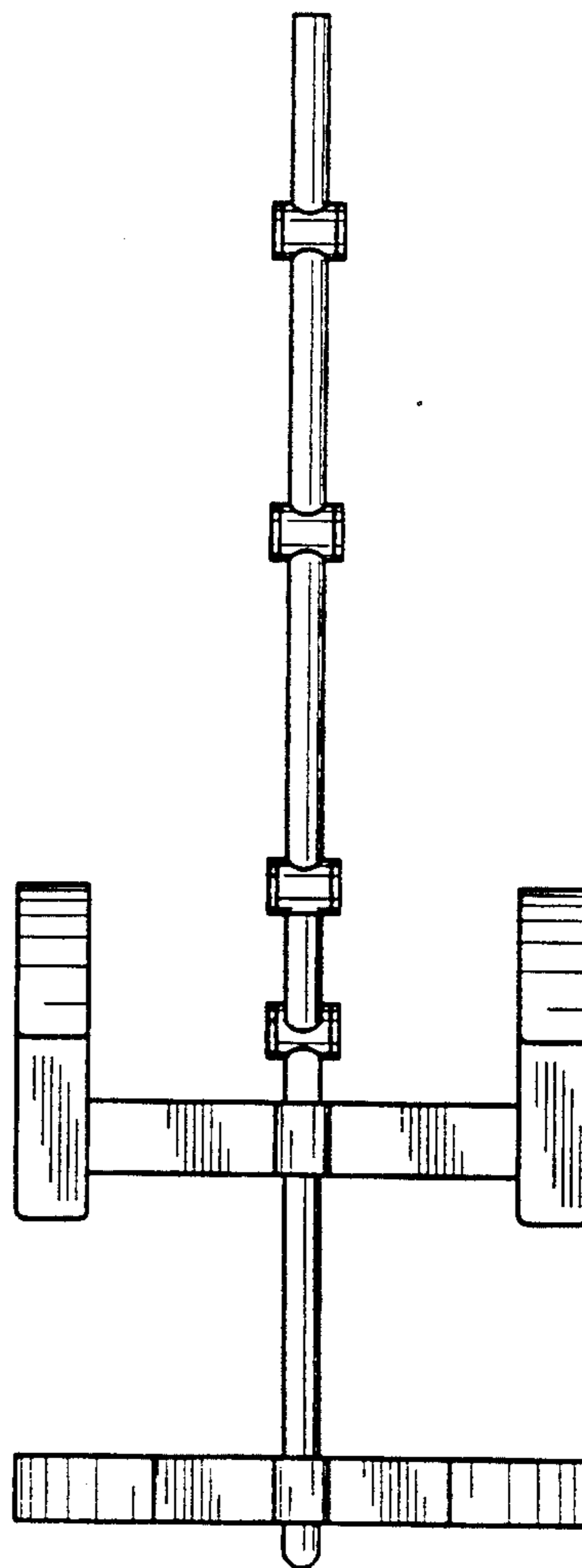


FIG. 5

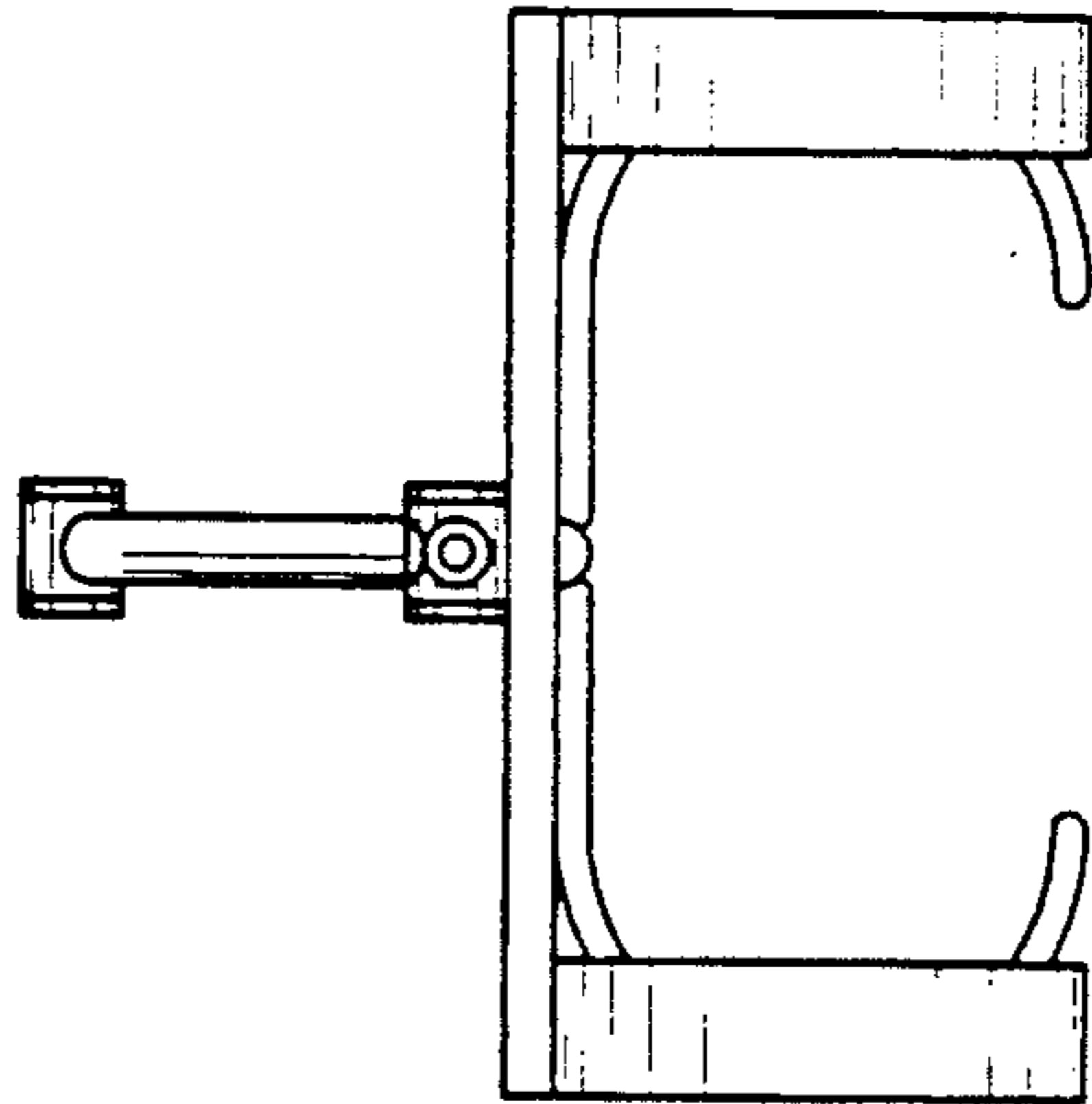


FIG. 6

