



US00D345850S

United States Patent [19]

Nakaue

[11] Patent Number: **Des. 345,850**

[45] Date of Patent: **** Apr. 5, 1994**

[54] FIRE-RESISTING SAFE

[75] Inventor: **Kazuo Nakaue, Hiroshima, Japan**

[73] Assignee: **Kumahira Safe Co., Inc., Hiroshima, Japan**

[**] Term: **14 Years**

[21] Appl. No.: **897,343**

[22] Filed: **Jun. 11, 1992**

[30] **Foreign Application Priority Data**

Feb. 4, 1992 [JP] Japan 4-2880

[52] U.S. Cl. **D99/28**

[58] Field of Search 109/25, 65; D7/538, D7/540, 601, 602, 608; 232/15-24; 206/444, 425; D99/28

[56] **References Cited**

U.S. PATENT DOCUMENTS

D. 36,919 5/1904 Brinton et al. D99/28

D. 132,962 7/1942 Solomon D99/28

D. 262,711 1/1982 Cox et al. D7/608

D. 298,679 11/1988 Casini et al. D99/28

D. 335,378 5/1993 Mariol D99/28

4,852,502 8/1989 Klingberg et al. 109/25

Primary Examiner—Alan P. Douglas

Assistant Examiner—J. H. Musgrove

Attorney, Agent, or Firm—Cushman, Darby & Cushman

[57] **CLAIM**

The ornamental design for a fire-resisting safe, as shown and described.

DESCRIPTION

FIG. 1 is a front elevational view;

FIG. 2 is a rear elevational view;

FIG. 3 is a right side elevational view;

FIG. 4 is a top plan view;

FIG. 5 is a bottom plan view;

FIG. 6 is a perspective view;

FIG. 7 is an enlarged cross sectional view along A—A' in FIG. 1;

FIG. 8 is a front view when the lid is opened; and,

FIG. 9 is a right side view when the lid is opened.

The left side (elevational) view appears in symmetrical manner to the right side one.

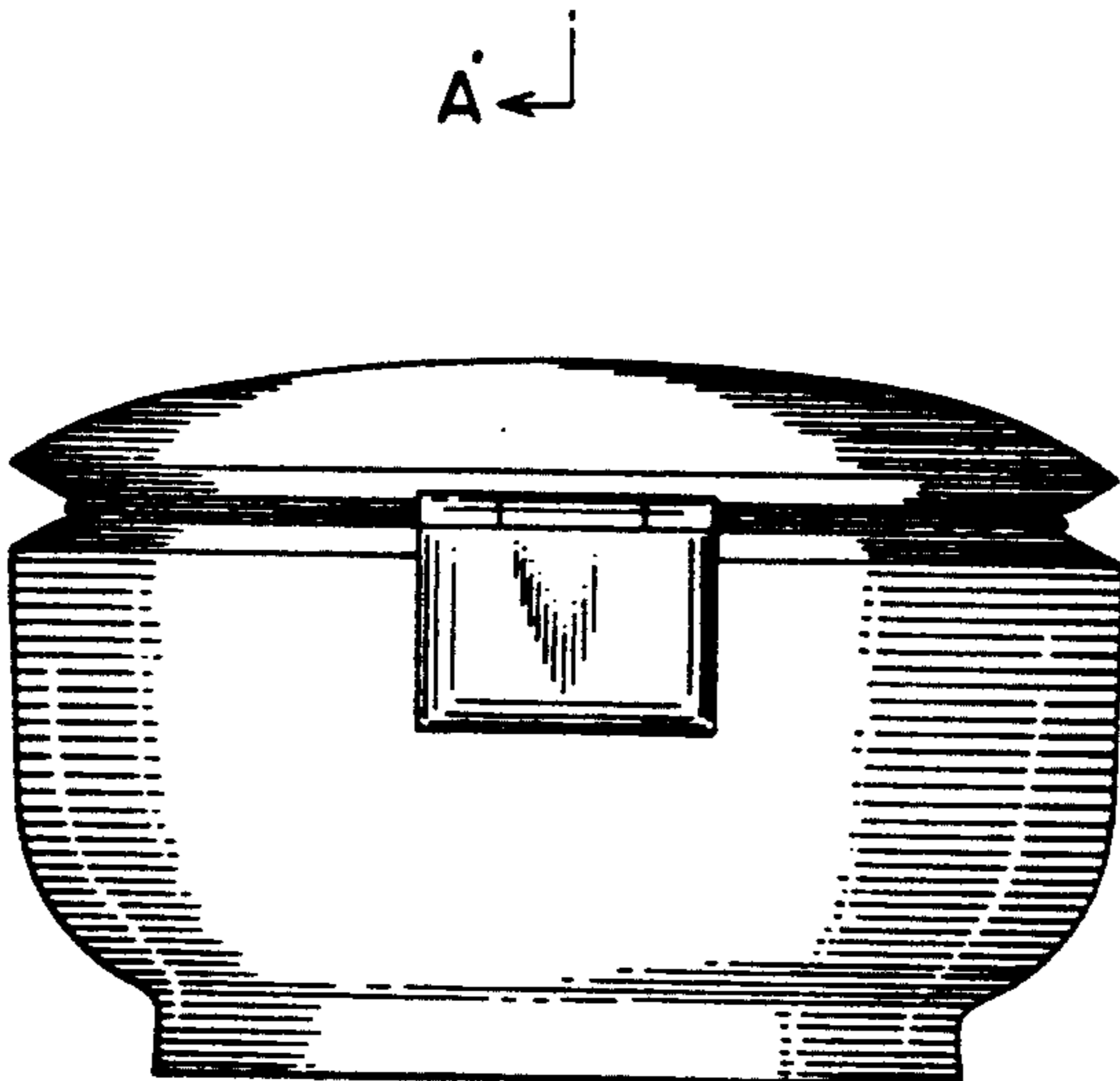
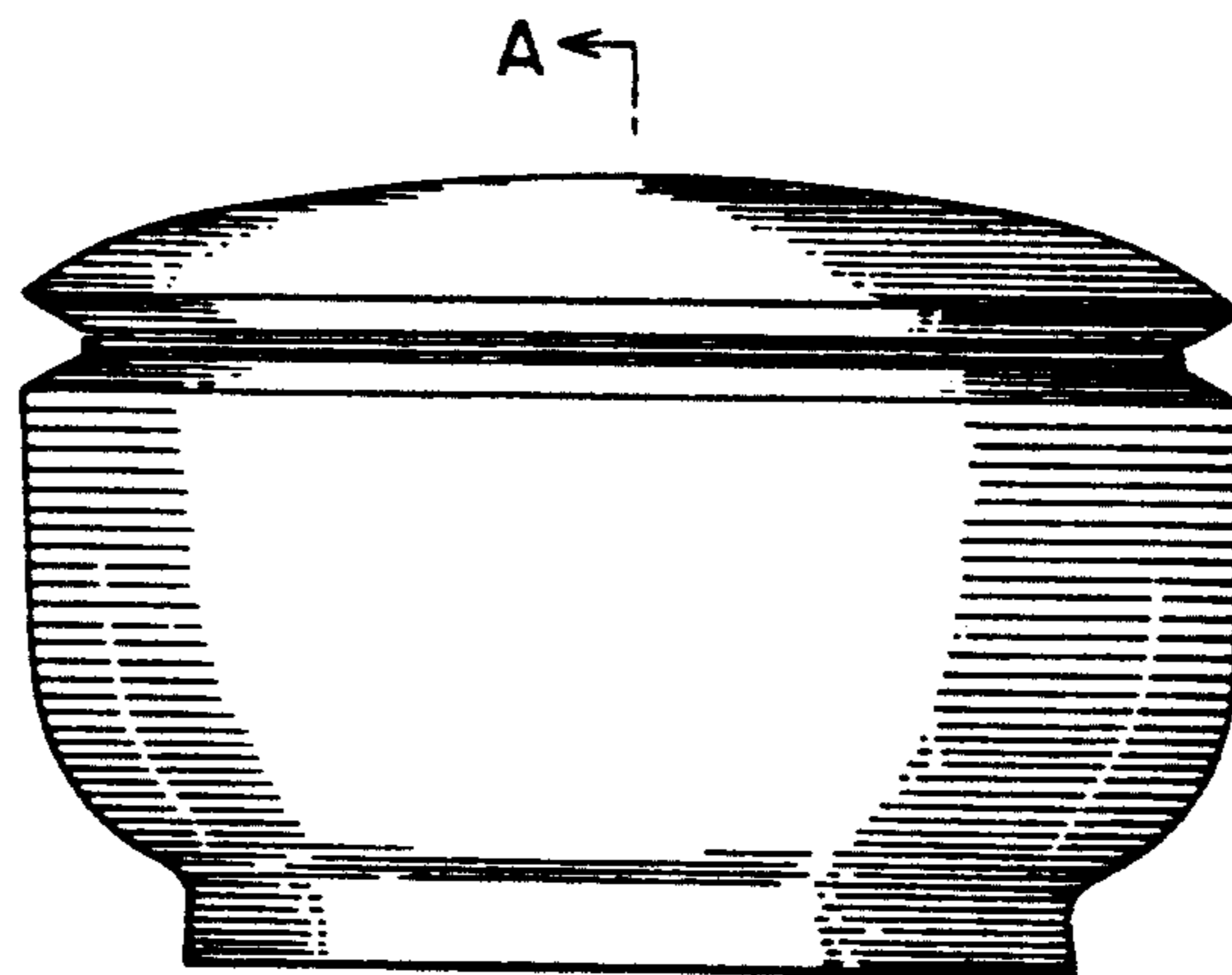


FIG. 1

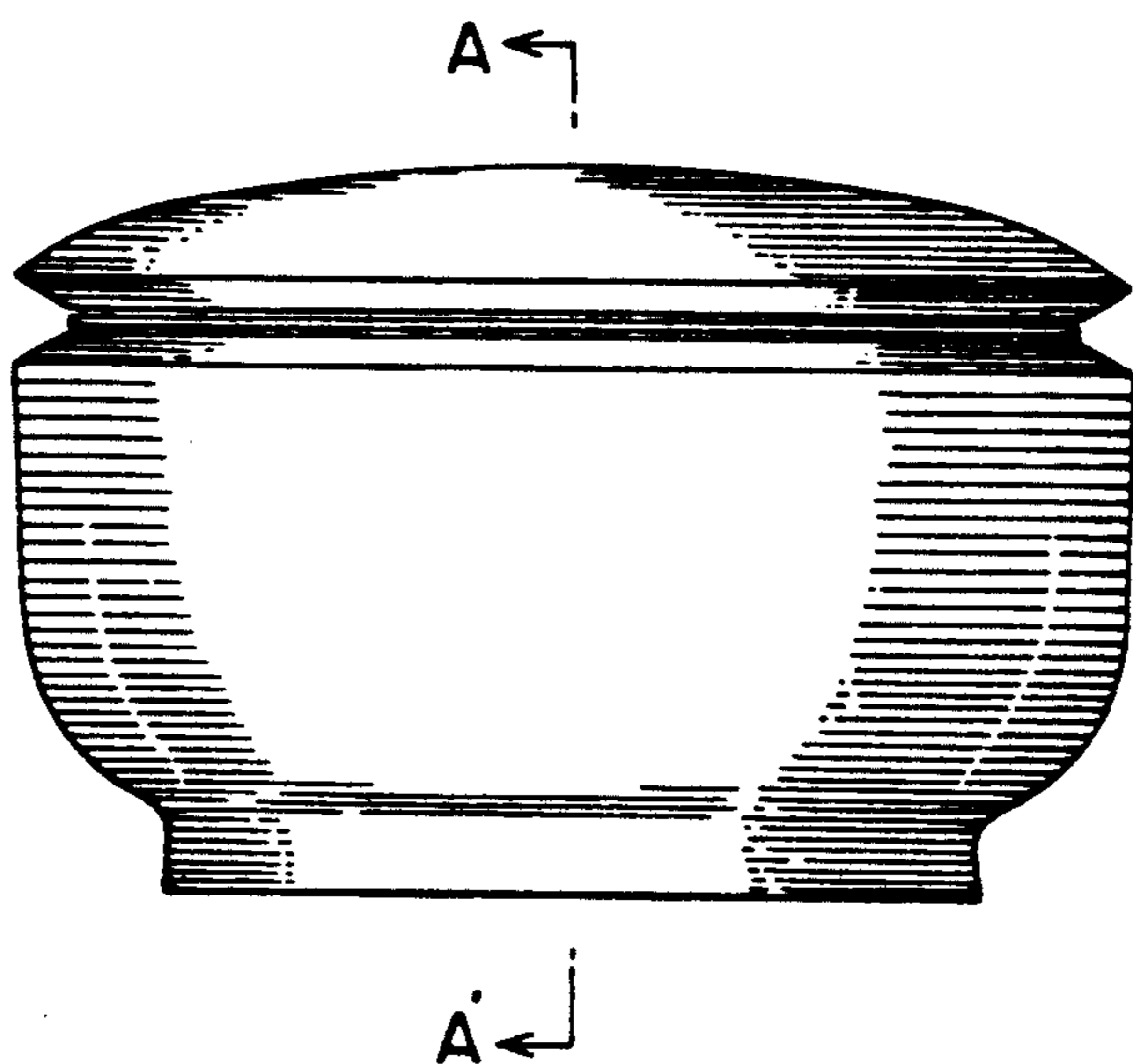


FIG. 2

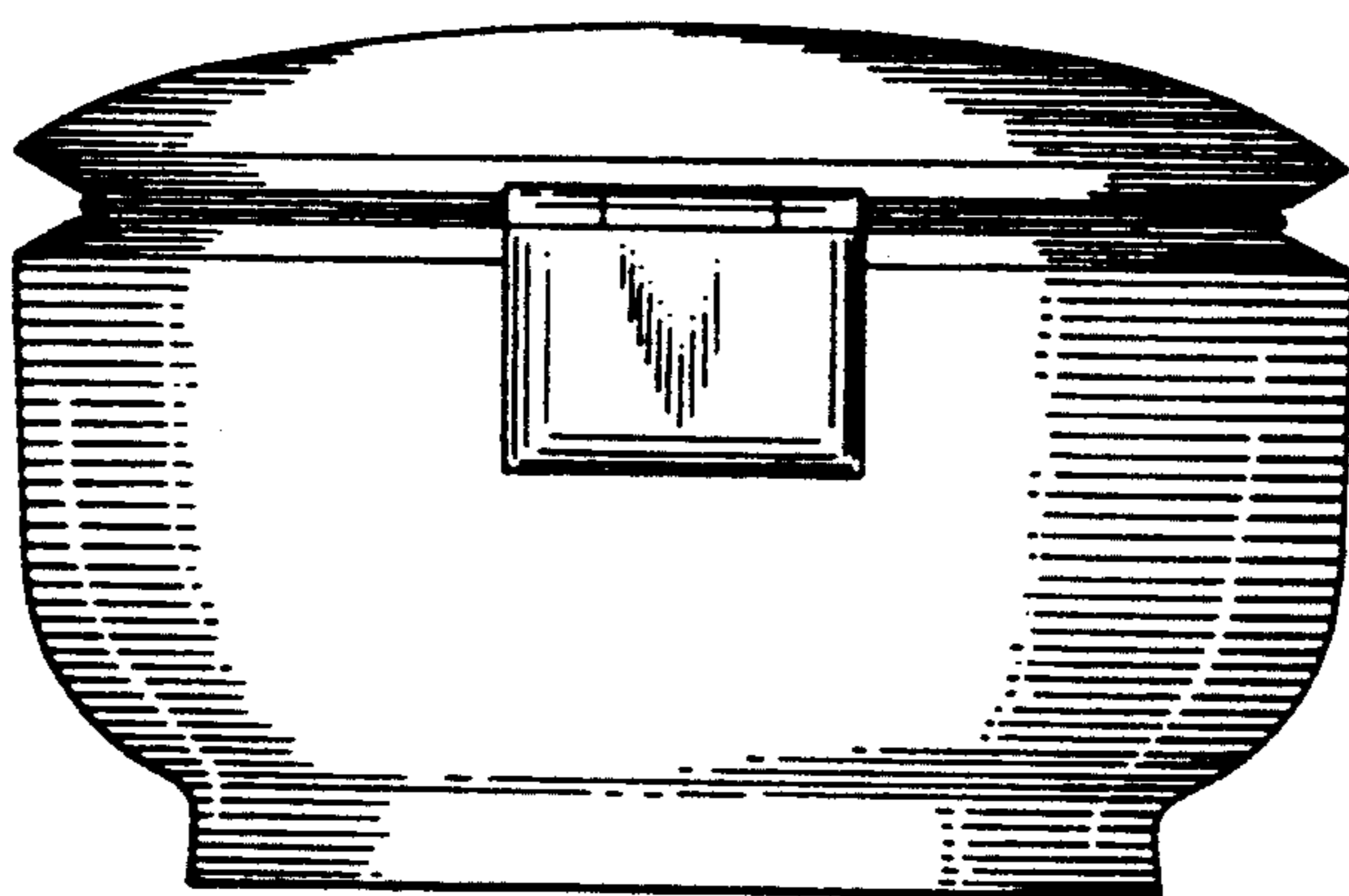


FIG. 3

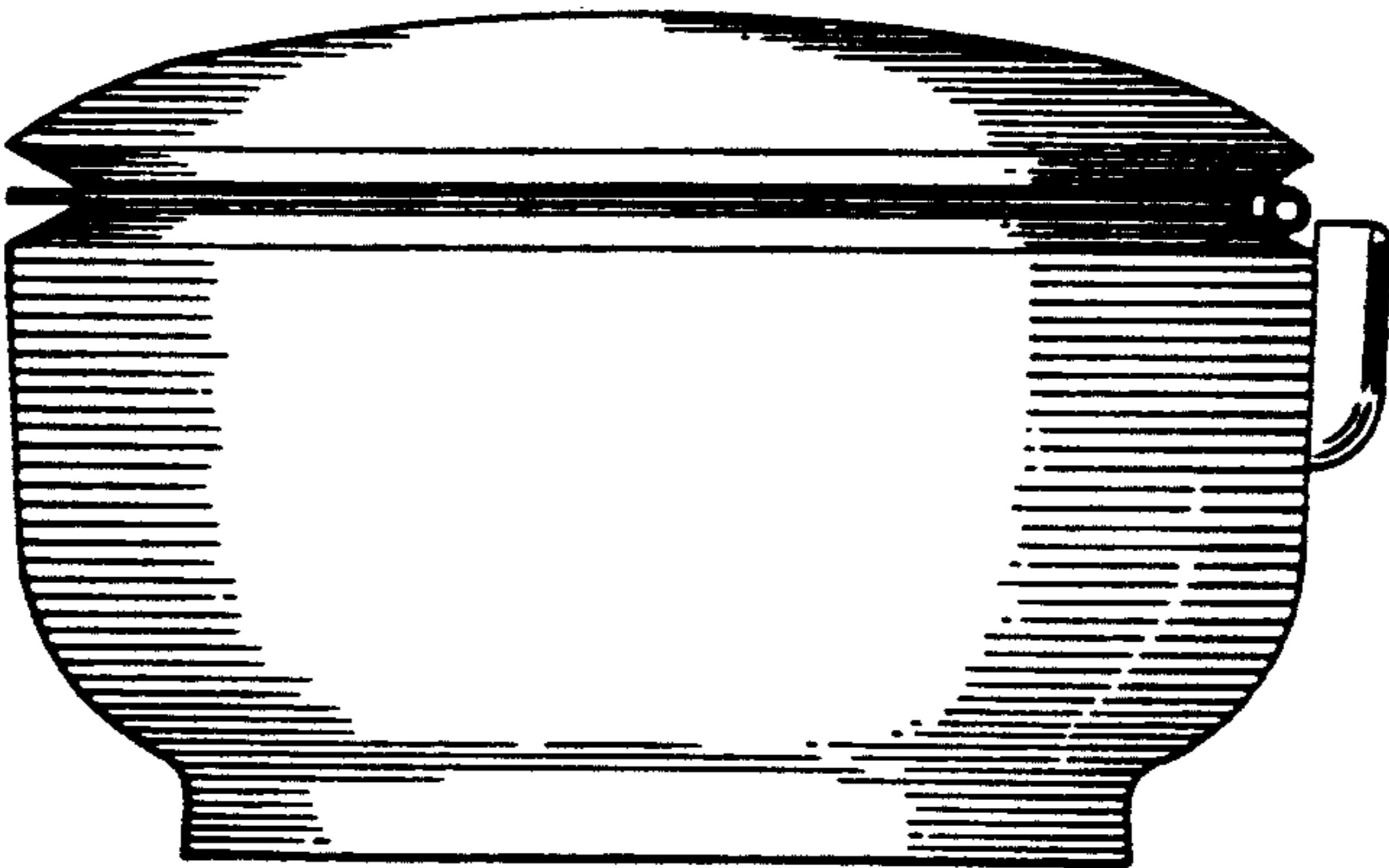


FIG. 4

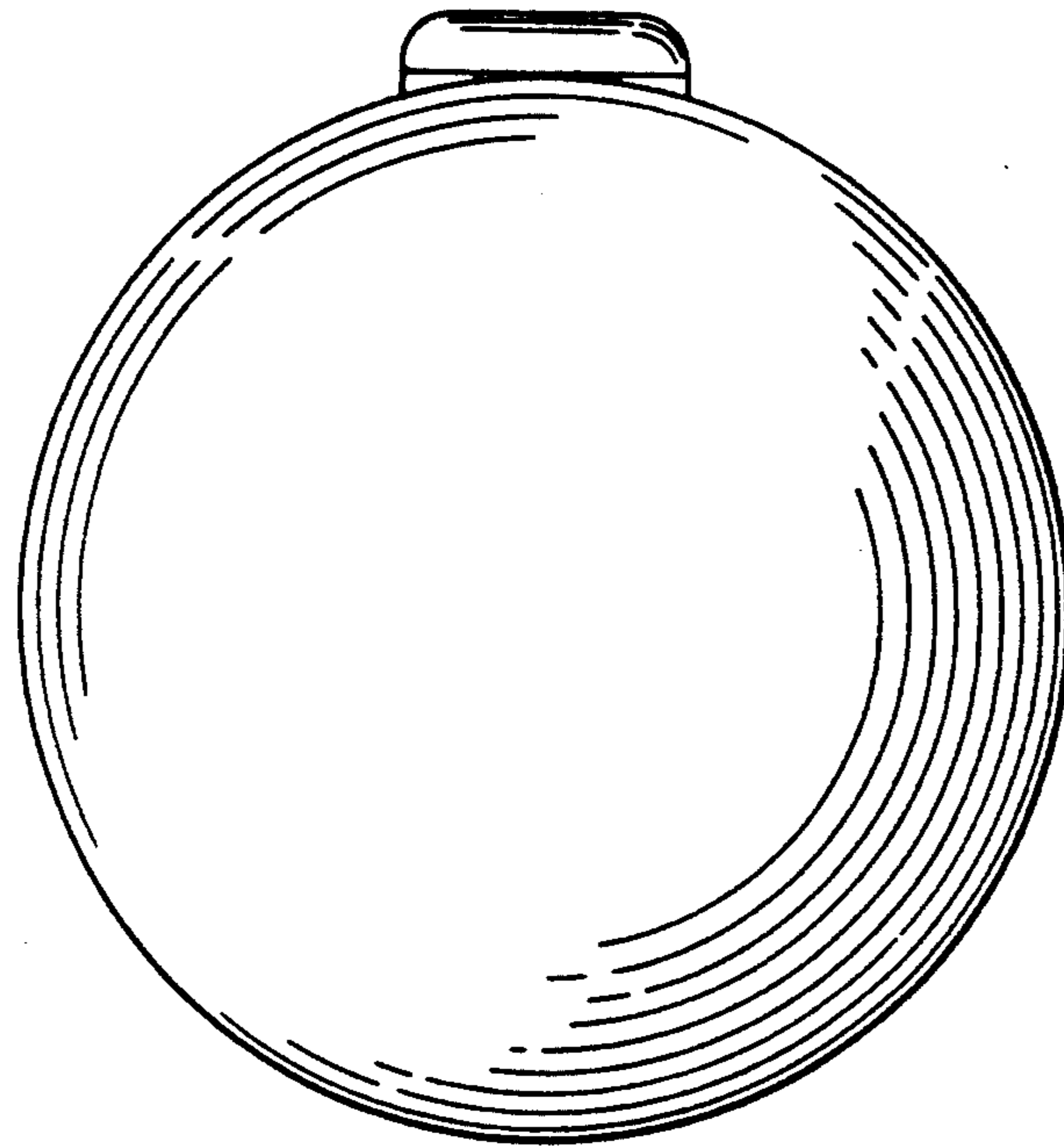


FIG. 5

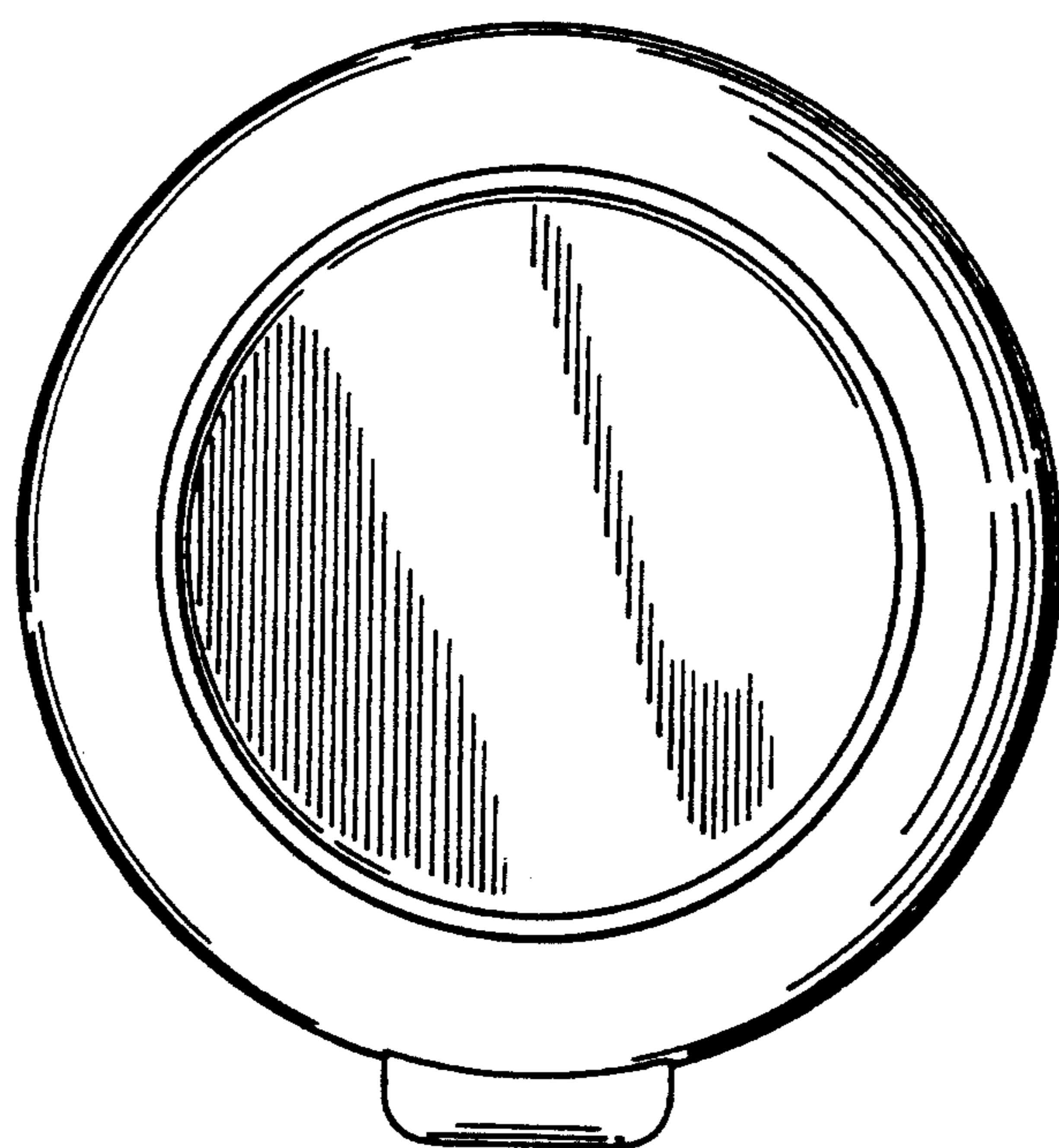


FIG. 6

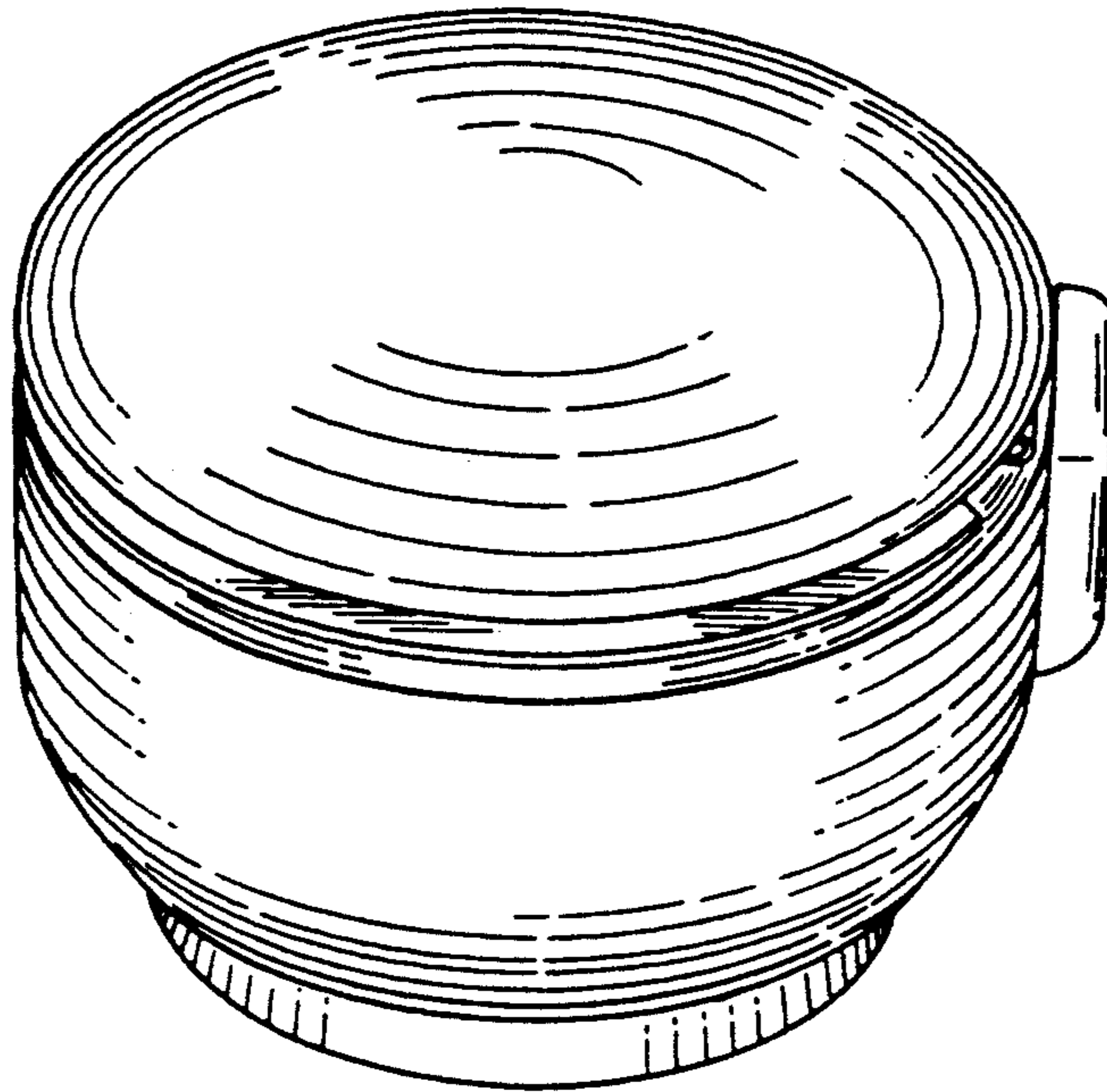


FIG. 7

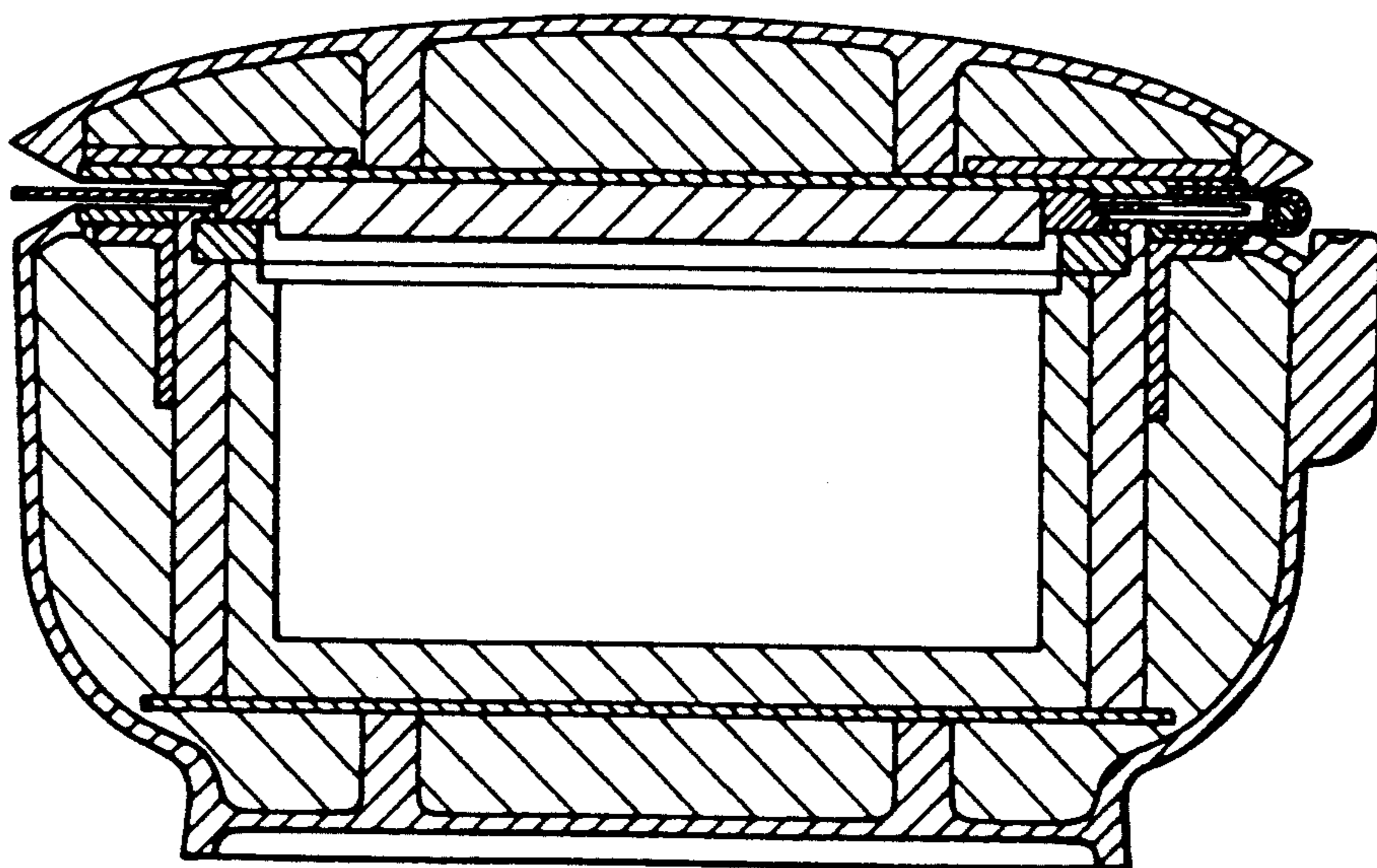


FIG. 8

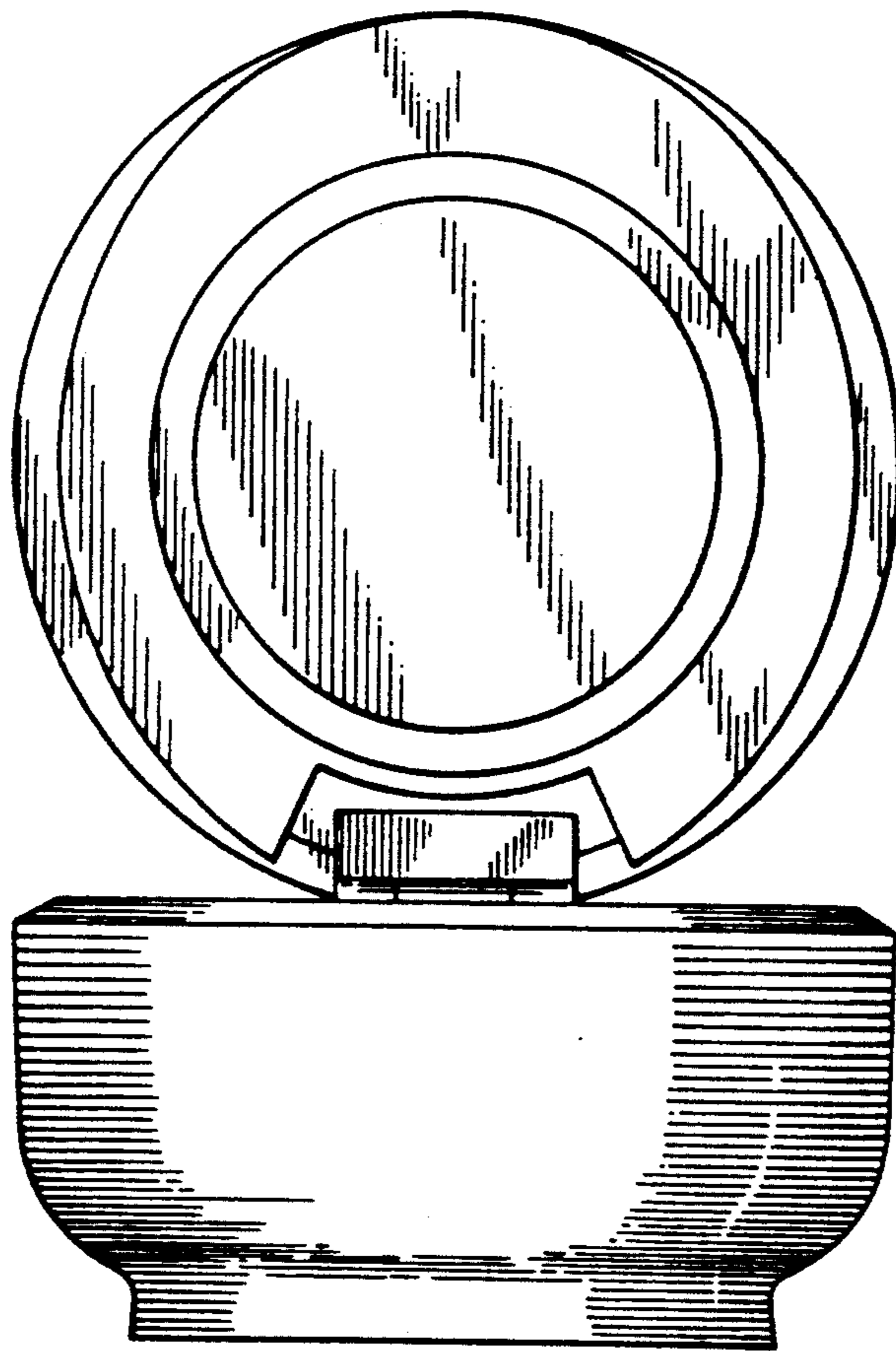


FIG. 9

