



US00D345847S

United States Patent [19]

[11] Patent Number: Des. 345,847

Schuchard

[45] Date of Patent: ** Apr. 5, 1994

[54] COLLAPSIBLE BIN

[75] Inventor: Kenneth D. Schuchard, Manteca, Calif.

[73] Assignee: Reynolds Packing Co., dba Quality Bin Co., Stockton, Calif.

[**] Term: 14 Years

[21] Appl. No.: 849,322

[22] Filed: Mar. 9, 1992

[52] U.S. Cl. D3/305; D34/38

[58] Field of Search D9/432, 433; 206/599, 206/600, 586, 386, 503, 567, 518; 220/666, 667, 668, 1.5, 692, 645, 646, 657, 652; 229/918; D34/40-46

3,712,504 1/1973 Petersen 220/668
 4,292,901 10/1981 Cox 206/586 X
 4,809,851 8/1989 Oestreich, Jr. et al. 206/599
 5,036,979 8/1991 Selz 206/600 X

Primary Examiner—Bernard Ansher
 Assistant Examiner—Prabhakar Deshmukh
 Attorney, Agent, or Firm—Lothrop & West

[57] CLAIM

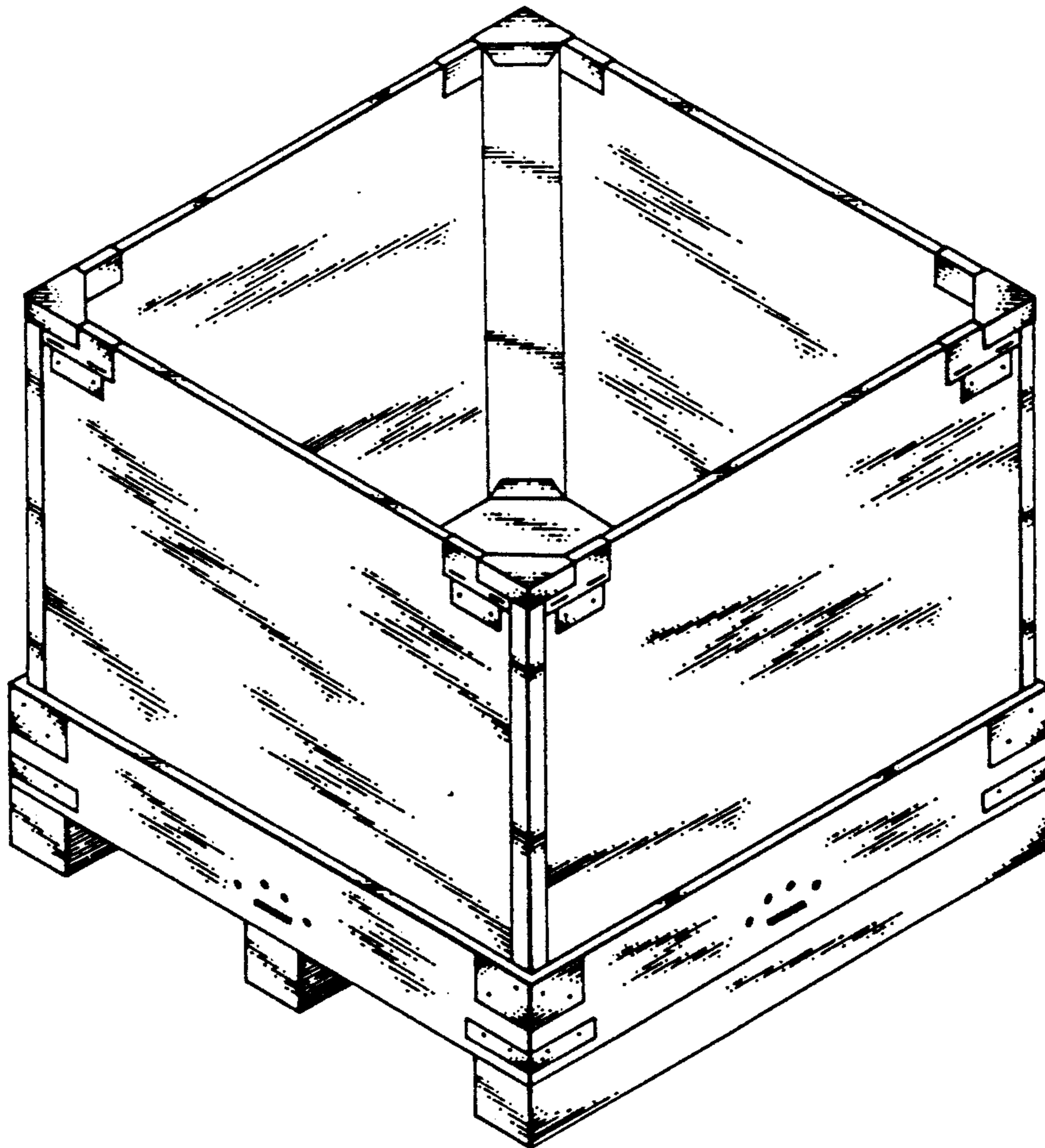
The ornamental design for a collapsible bin, as shown and described.

DESCRIPTION

FIG. 1 is a perspective view of a collapsible bin showing my new design;
 FIG. 2 is a top plan view thereof;
 FIG. 3 is a bottom plan view thereof;
 FIG. 4 is a front elevational view thereof; the rear elevational view being a mirror image thereof;
 FIG. 5 is a right side elevational view thereof; the left side elevational view being a mirror image thereof;
 FIG. 6 is a right side elevational view thereof shown in a collapsed position; and,
 FIG. 7 is a top plan view of FIG. 6.

[56] **References Cited**
U.S. PATENT DOCUMENTS

D. 232,812	9/1974	Ogle et al.	D34/40
D. 297,619	9/1988	Cheval et al.	D9/432 X
D. 302,897	8/1989	Shchamorov et al.	D34/40
D. 323,294	1/1992	Williams	D9/432
2,293,966	8/1942	Best	220/668



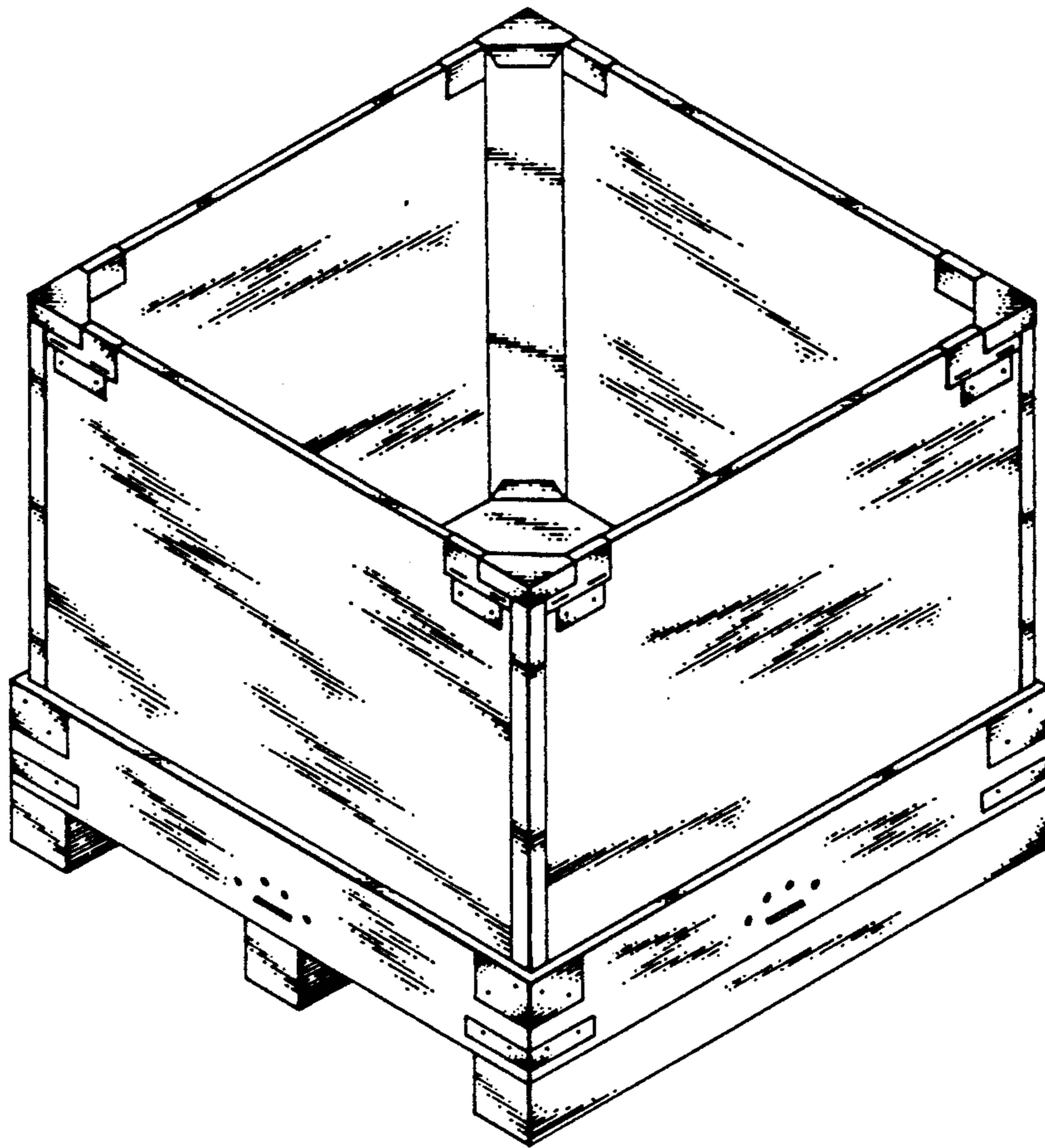


FIG. 1.

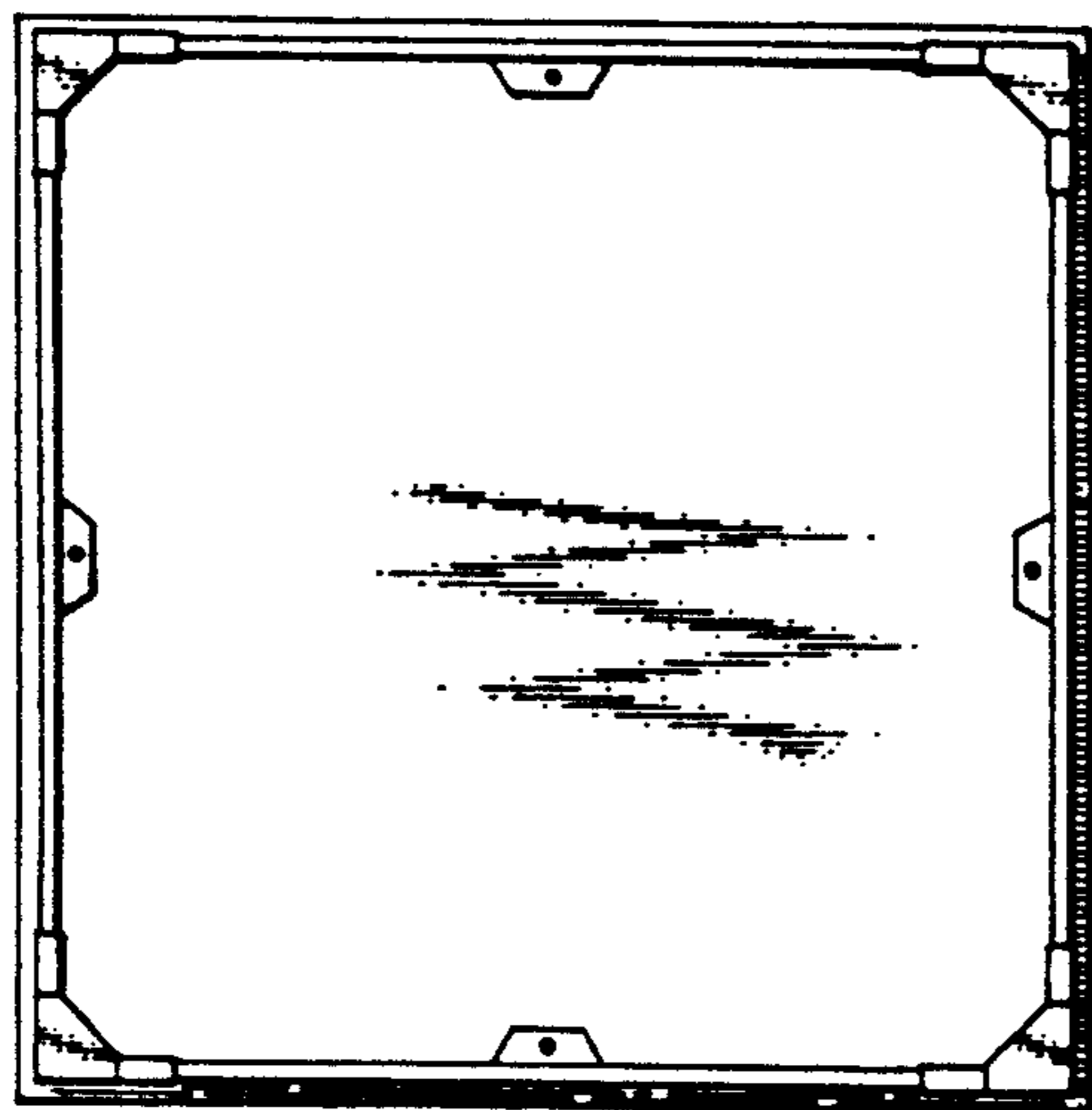


FIG. 2.

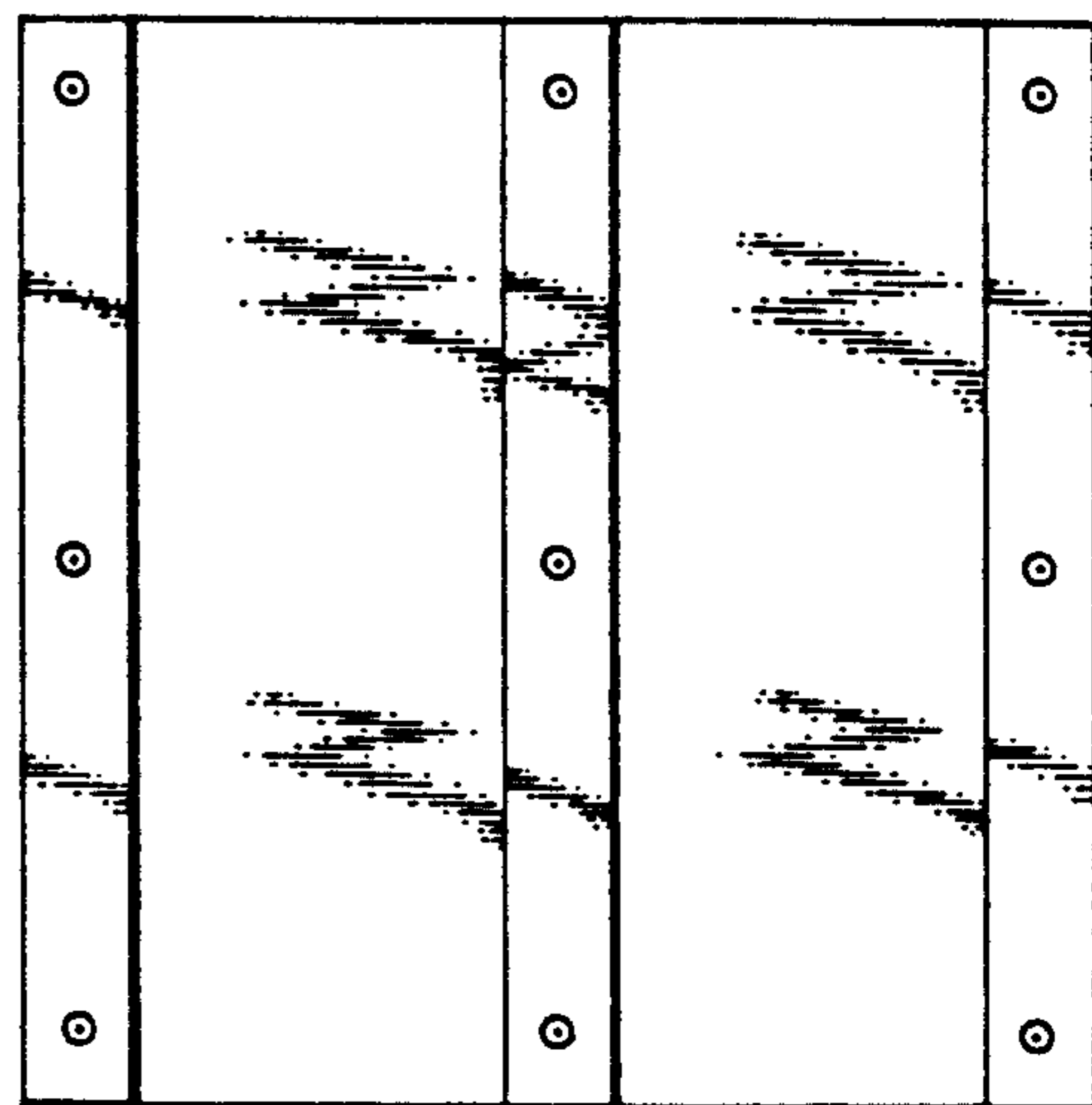


FIG. 3.

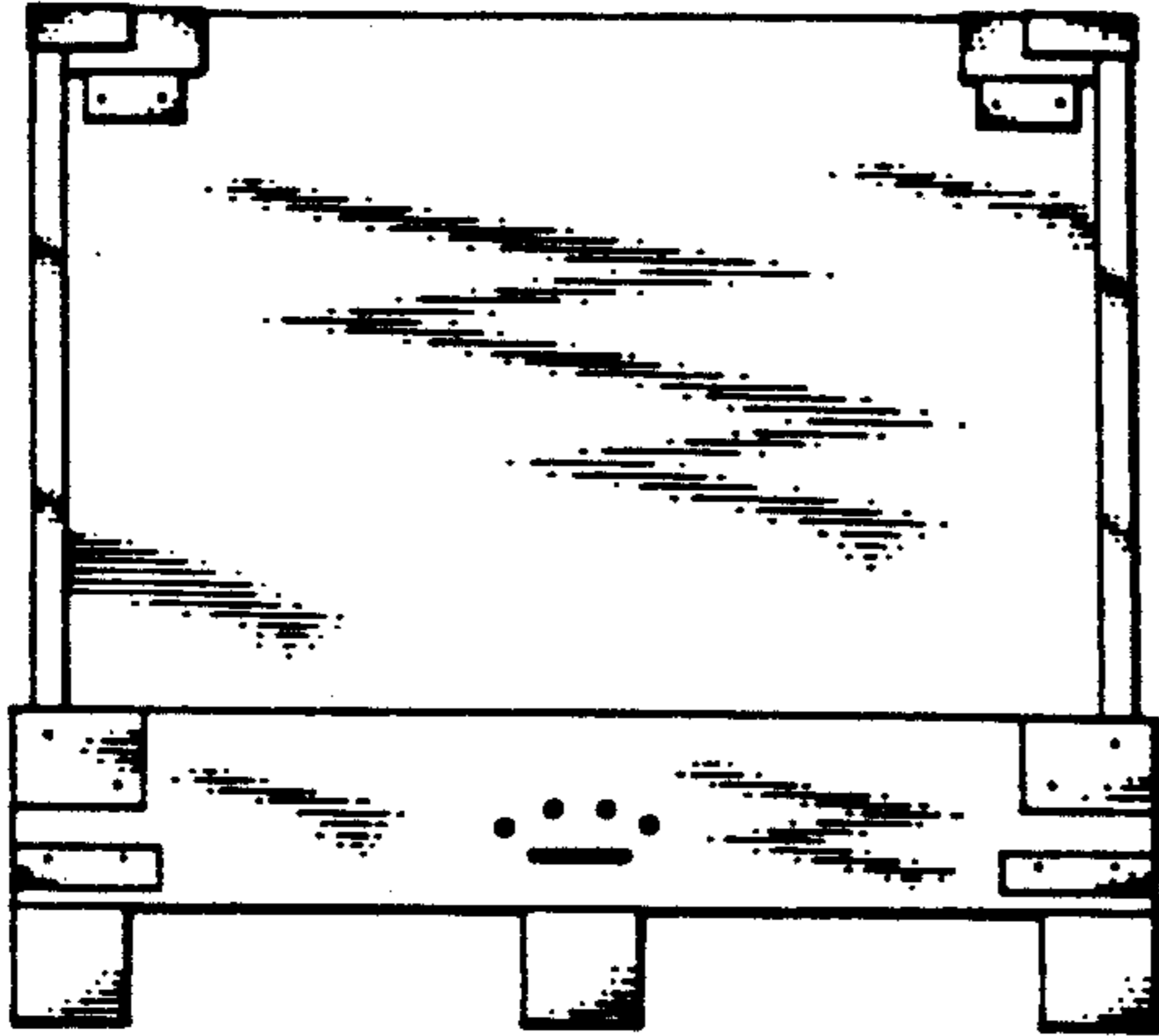


FIG. 4.

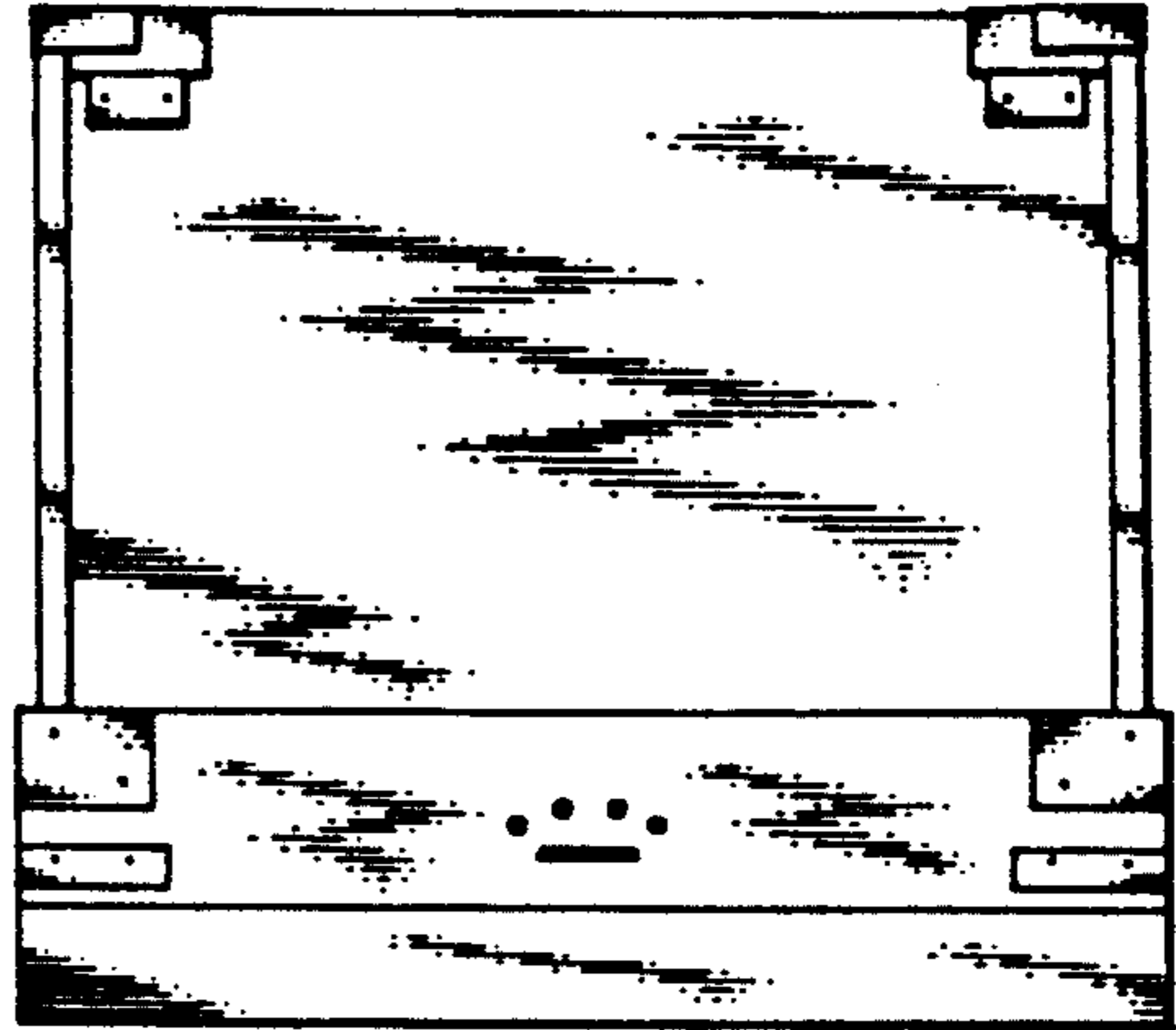


FIG. 5.

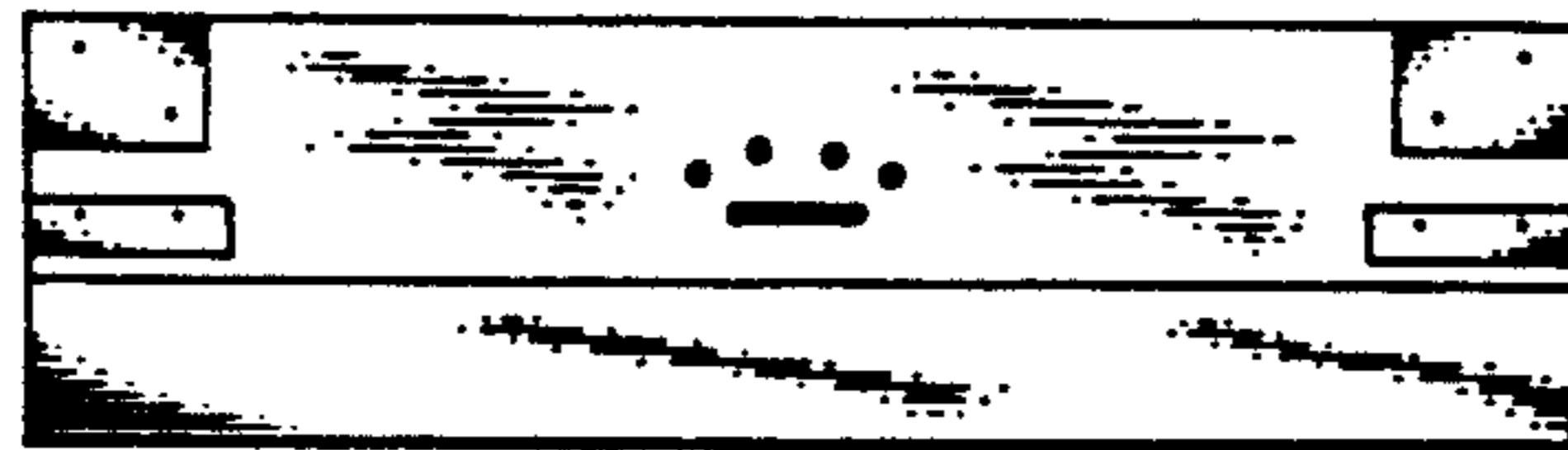


FIG. 6.

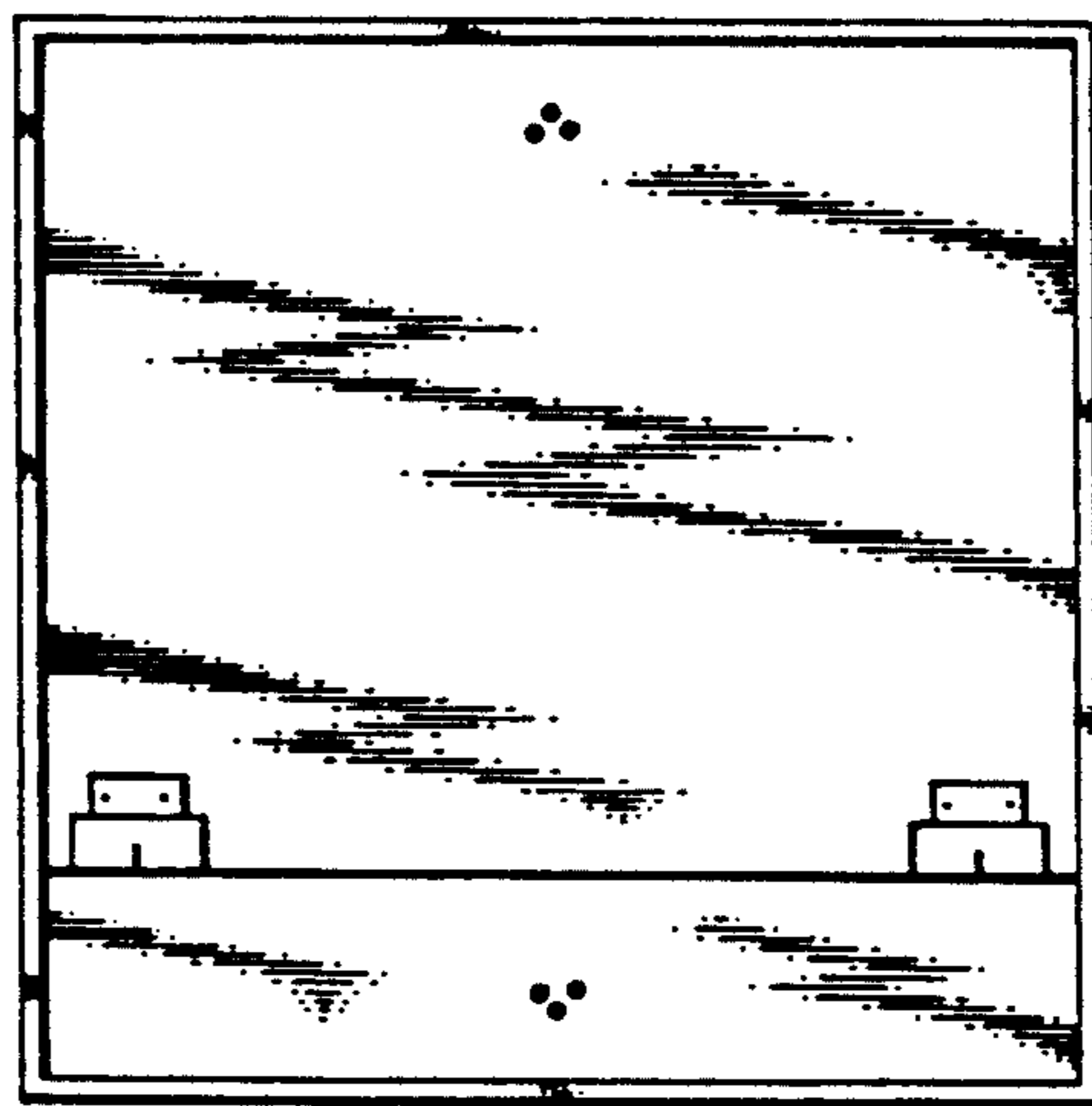


FIG. 7.