



US00D345843S

# United States Patent [19]

Collins

[11] Patent Number: **Des. 345,843**

[45] Date of Patent: **\*\* Apr. 5, 1994**

[54] **LIFTING JACK**

[76] Inventor: **Harvey C. Collins, 7143 S. River Rd.,  
Marine City, Mich. 48039**

[\*\*] Term: **14 Years**

[21] Appl. No.: **866,239**

[22] Filed: **Apr. 8, 1992**

[52] U.S. Cl. .... **D34/31; D34/28**

[58] Field of Search ..... **254/133 R, DIG. 4, 8 B;  
D34/28, 31**

3,662,994	5/1972	Johns .	
4,194,726	3/1980	Hance .	
4,640,495	2/1987	Parsons .....	254/8 B
4,846,443	7/1989	Collins et al. ....	254/133 R
5,190,265	3/1993	Barry et al. ....	254/8 B

*Primary Examiner*—Kay H. Chin  
*Attorney, Agent, or Firm*—Harness, Dickey & Pierce

[57] **CLAIM**

The ornamental design for a lifting jack, as shown and described.

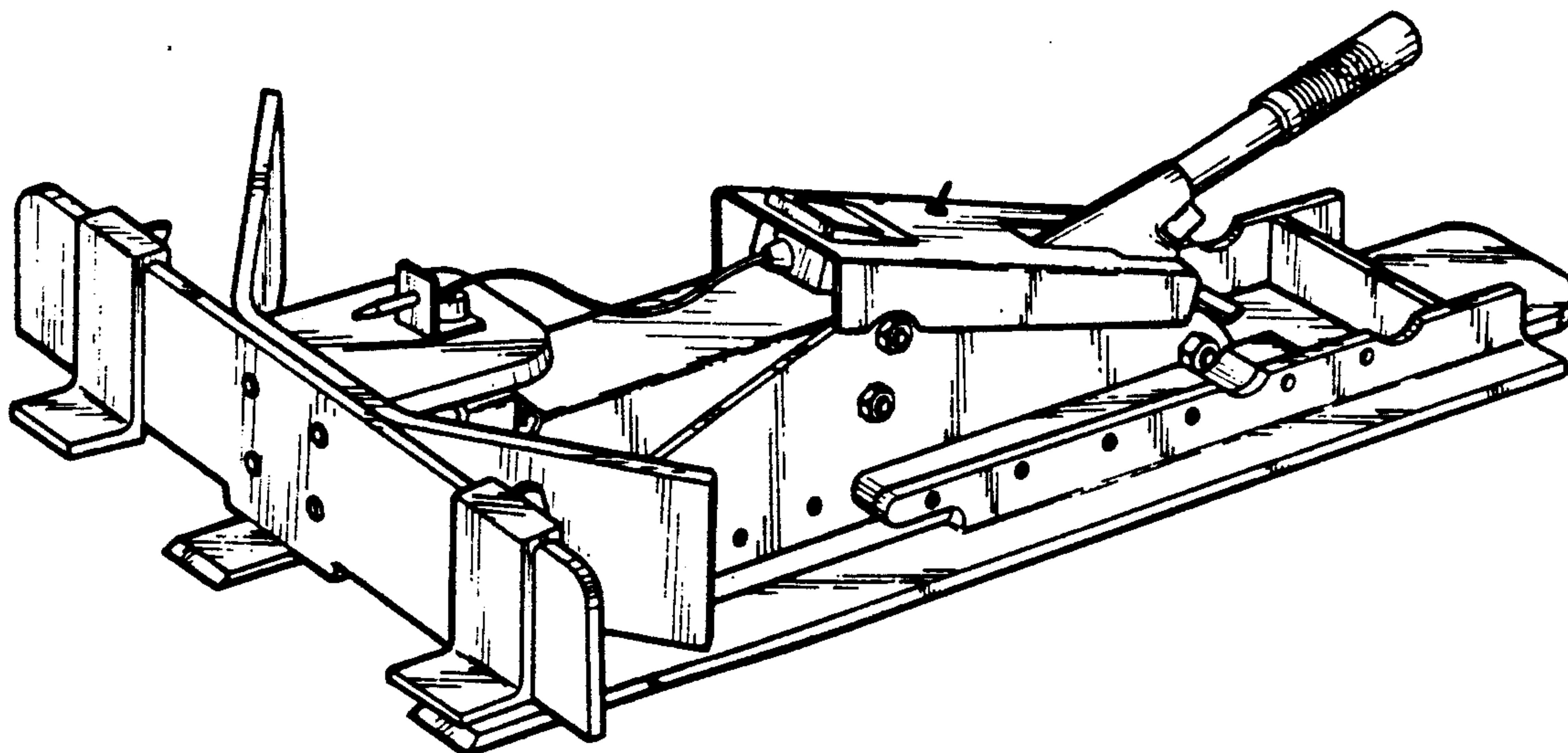
[56] **References Cited**

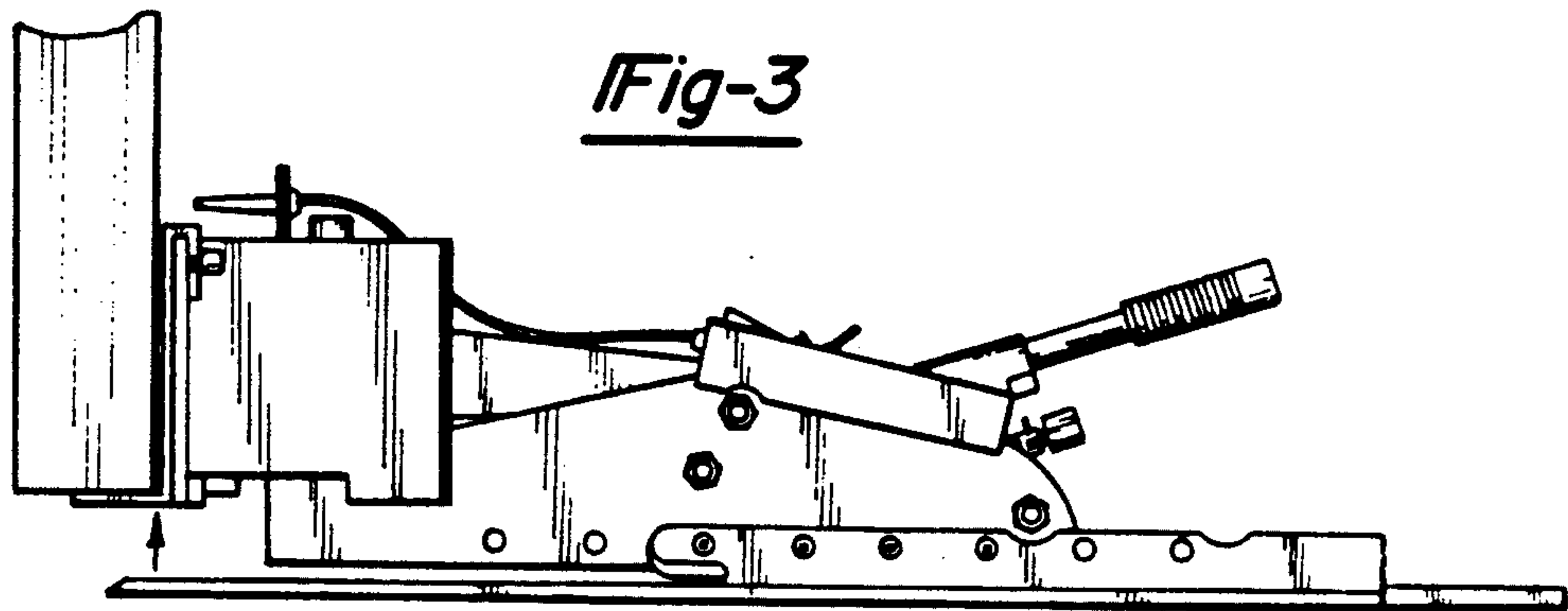
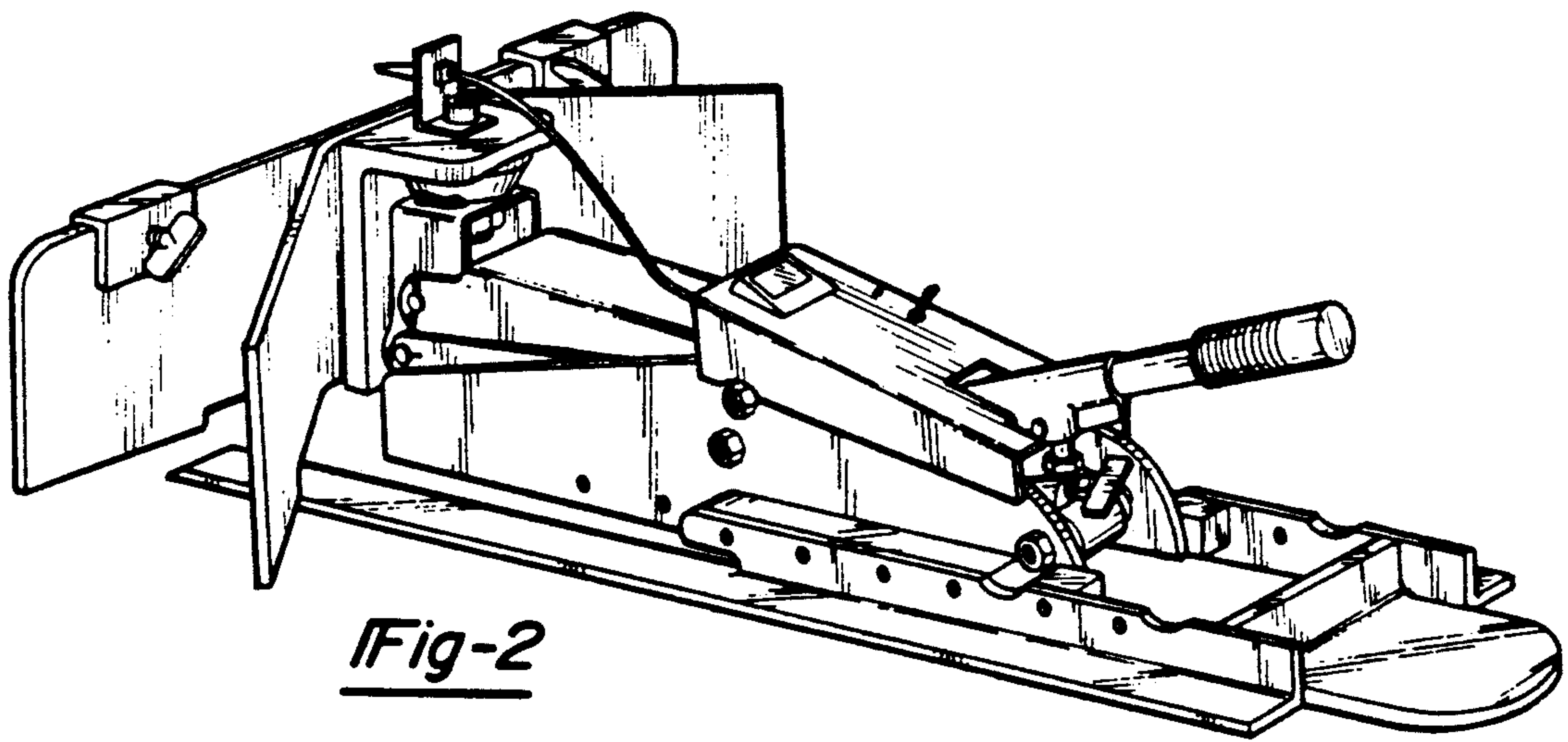
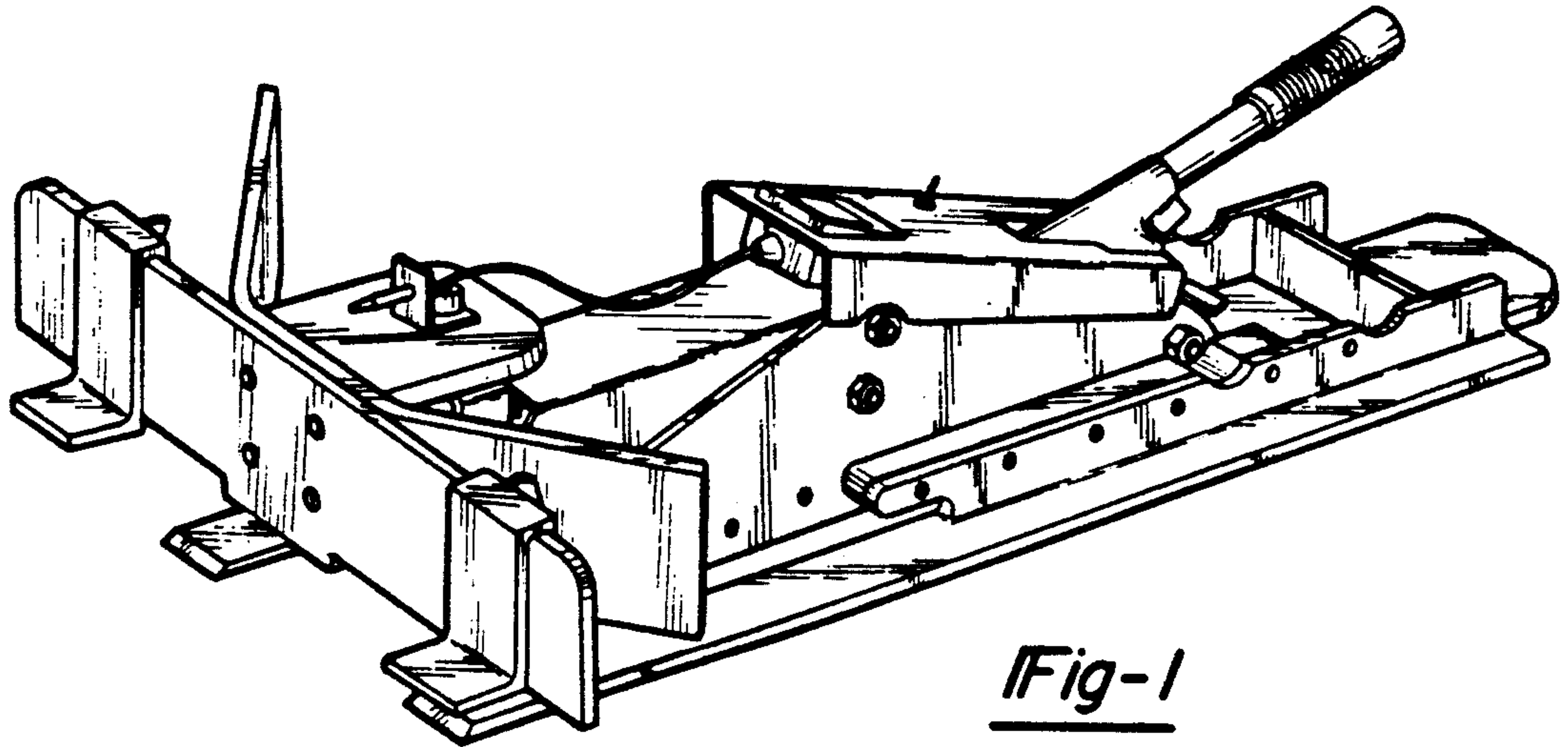
**U.S. PATENT DOCUMENTS**

66,170	6/1867	Patterson .
829,344	8/1906	Larsen .
2,469,670	5/1949	Thompson .
2,536,550	1/1951	Hughes .
2,786,649	3/1957	Bottorff .
2,786,650	3/1957	Bottorff .
2,910,270	10/1959	Schultz .
3,081,066	3/1963	Murawski .
3,426,752	2/1969	Laico .

**DESCRIPTION**

FIG. 1 is a front and side perspective view of a lifting jack showing my new design; FIG. 2 is a top, rear and side perspective view thereof; FIG. 3 is a side elevational view thereof, the opposite side elevational view being a mirror image of that shown; FIG. 4 is an exploded front perspective view of the lifting assembly. The remaining portion of the lifting jack being omitted for convenience of illustration; and, FIG. 5 is a top plan view thereof.





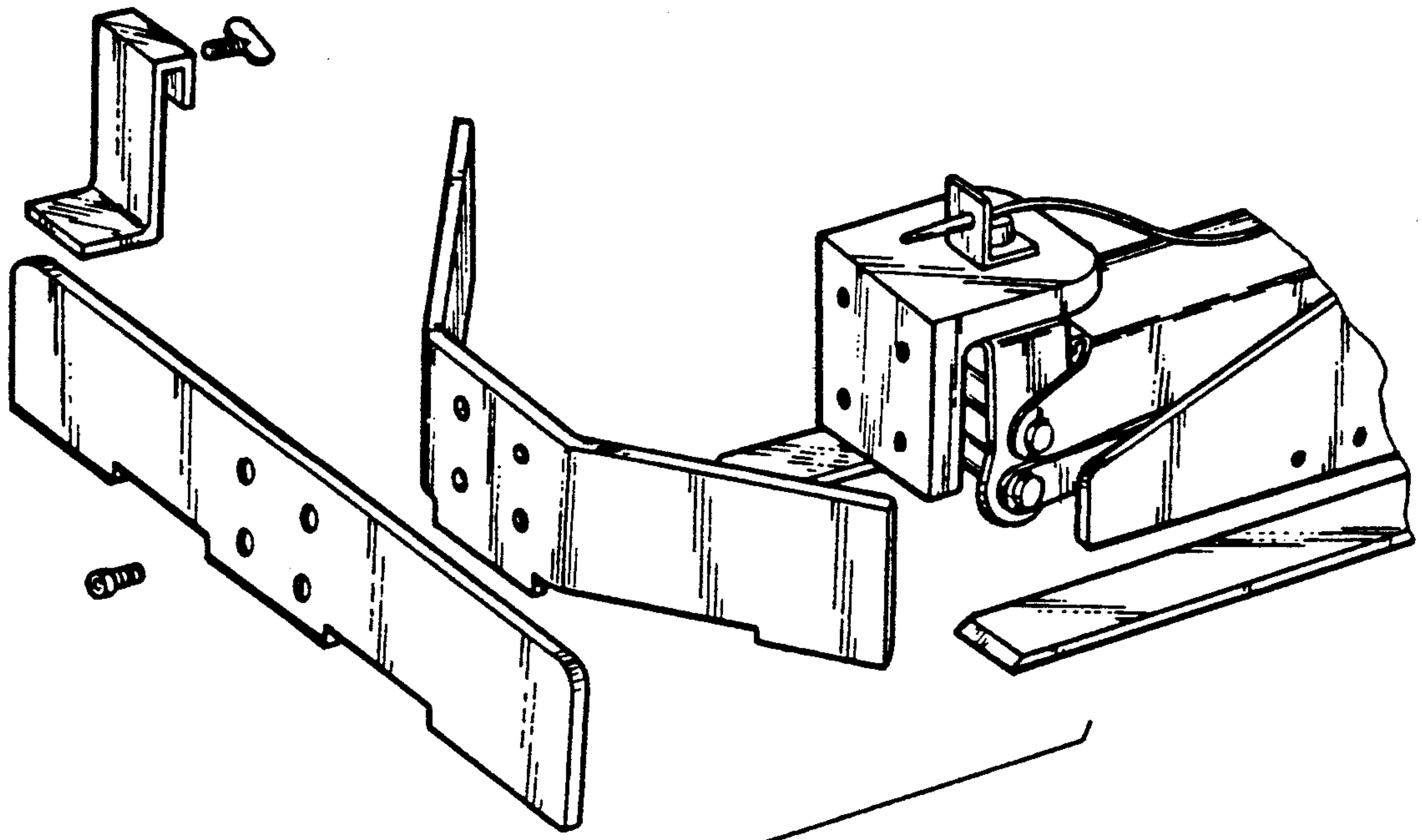


Fig-4

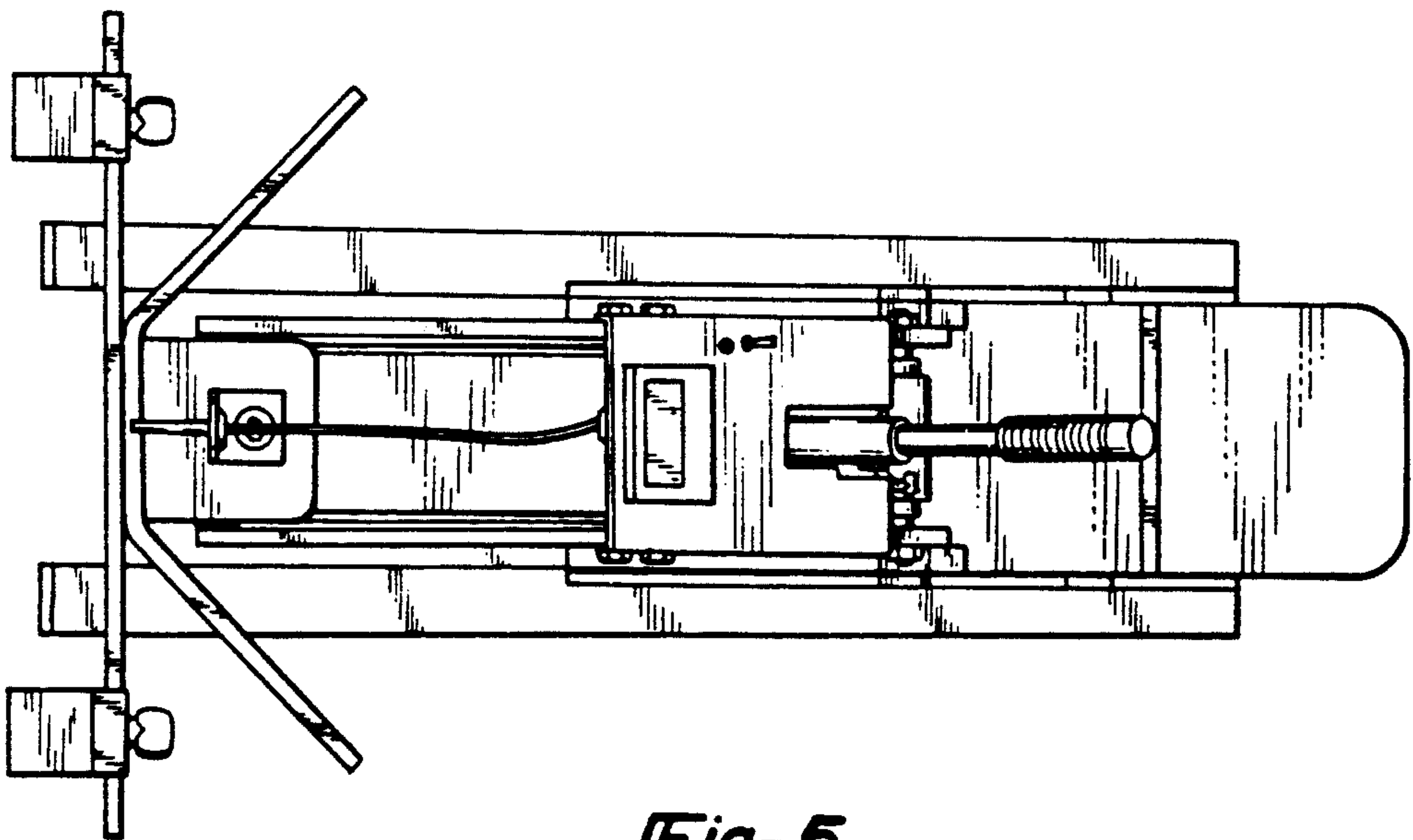


Fig-5