



US00D345839S

United States Patent [19]

[11] Patent Number: **Des. 345,839**

Senese

[45] Date of Patent: **** Apr. 5, 1994**

[54] ICE CHEST CART

[75] Inventor: **Dante M. Senese**, Huntington Beach, Calif.

[73] Assignee: **Classic Fabrications, Inc.**, Walnut, Calif.

[**] Term: **14 Years**

[21] Appl. No.: **752,329**

[22] Filed: **Aug. 30, 1991**

[52] U.S. Cl. **D34/14; D34/24; D34/25; D6/440**

[58] Field of Search **D6/479, 440, 449; 280/47.35, 47.34; D34/12, 17, 14, 19, 20, 24, 26**

[56] References Cited

U.S. PATENT DOCUMENTS

D. 255,738	7/1980	Tome	D6/440
4,893,885	1/1990	Borello	312/250
4,998,023	3/1991	Kitts	280/47.35

OTHER PUBLICATIONS

Restaurant Equipment Dealer, Dec. 1959, p. 30, "Food Service Conveyor" (upper right).

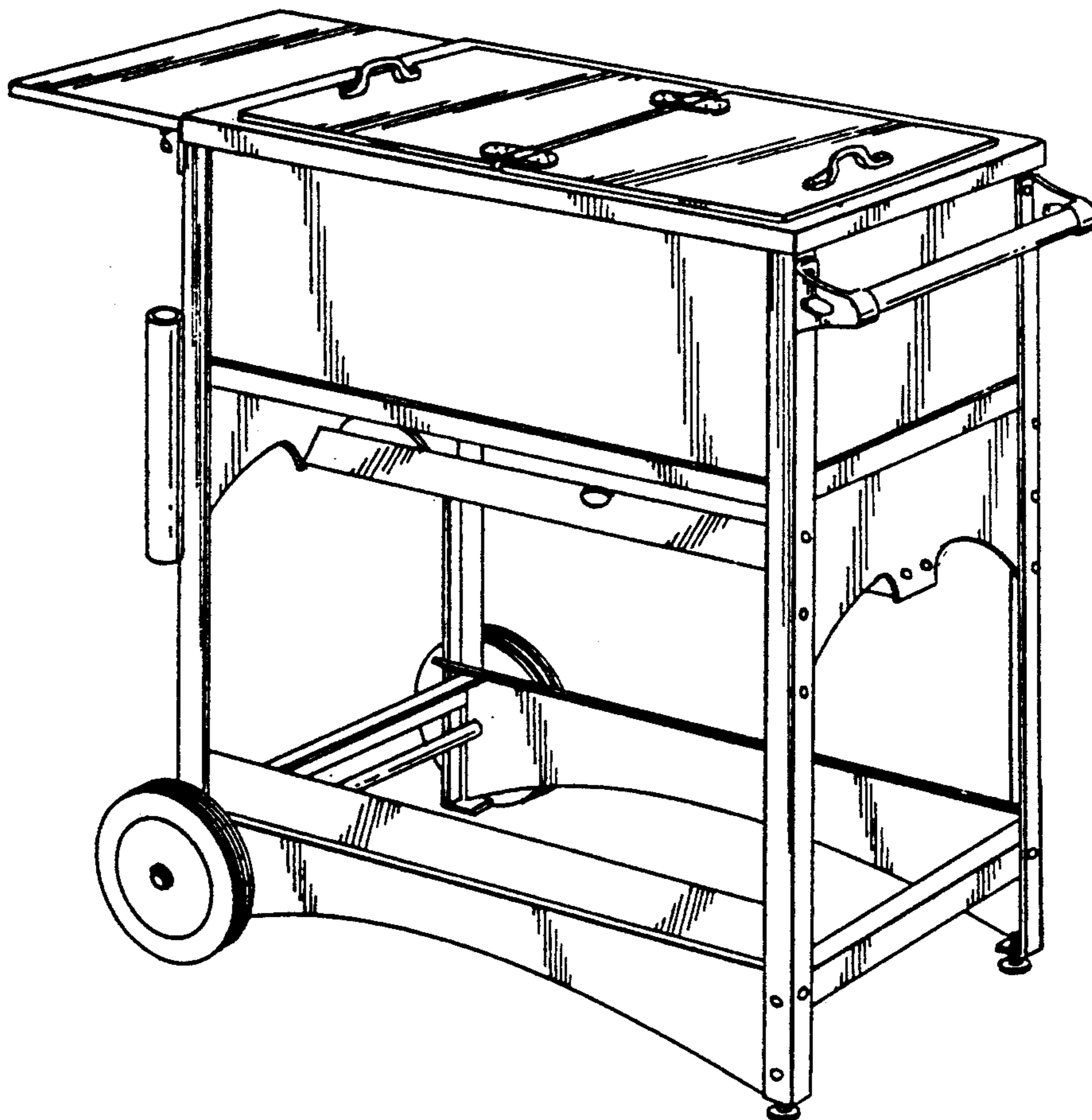
Primary Examiner—Kay H. Chin
Attorney, Agent, or Firm—Harlan P. Huebner

[57] CLAIM

The ornamental design for an ice chest cart, as shown and described.

DESCRIPTION

FIG. 1 is a top and left side perspective view of an ice chest cart showing my new design;
 FIG. 2 is a right side elevational view of the design of FIG. 1 opposite the left side elevational view illustrated in FIG. 1;
 FIG. 3 is a front elevational end view of the design of FIG. 1 opposite of the rear end view illustrated in FIG. 1;
 FIG. 4 is a bottom view, of the design of FIG. 1;
 FIG. 5 is top and left side perspective view of a second embodiment of the ice chest cart;
 FIG. 6 is a right side elevational view of FIG. 5;
 FIG. 7 is a front end elevational view of FIG. 5; and,
 FIG. 8 is a bottom view of FIG. 5.



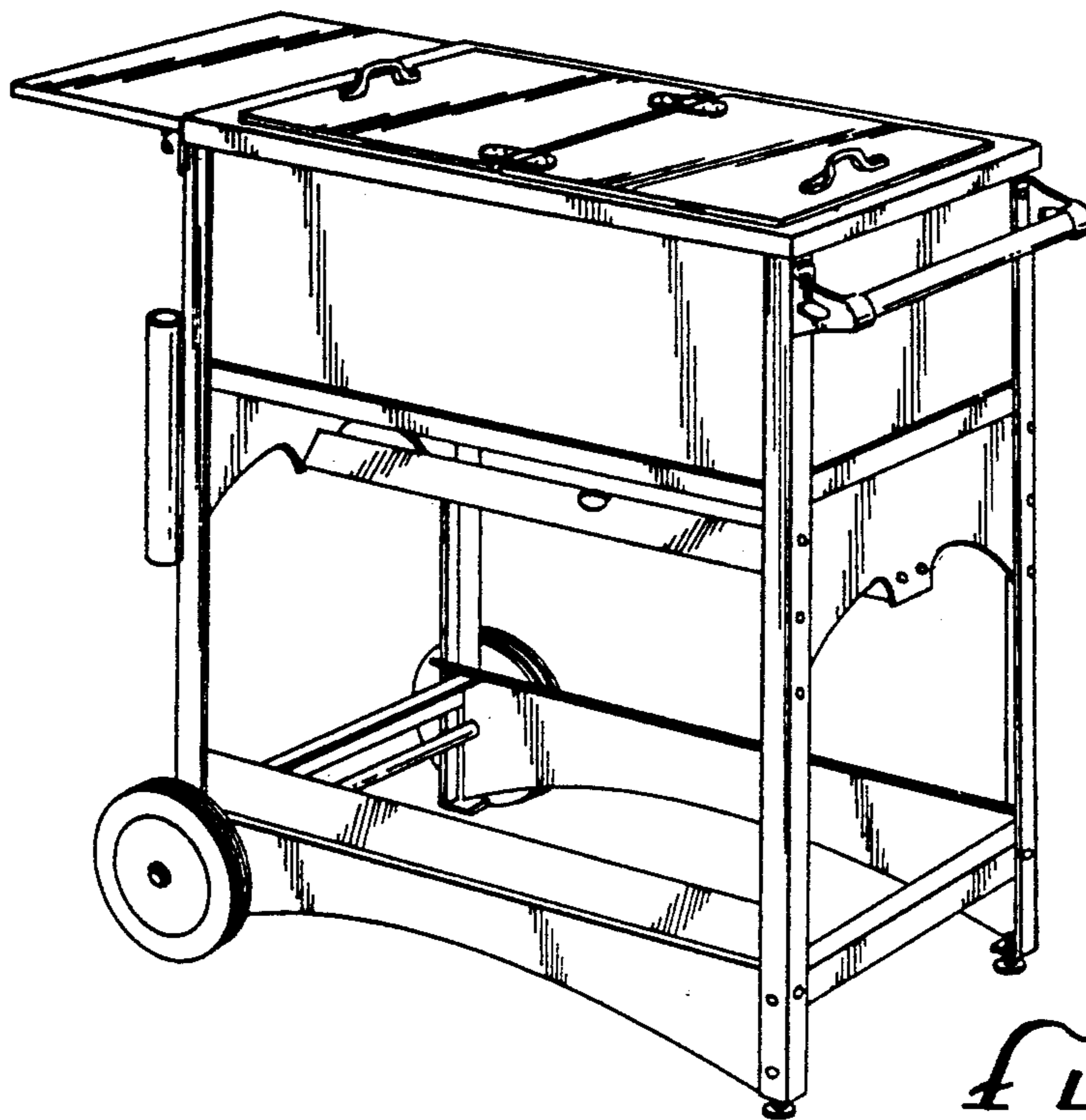


FIG. 1.

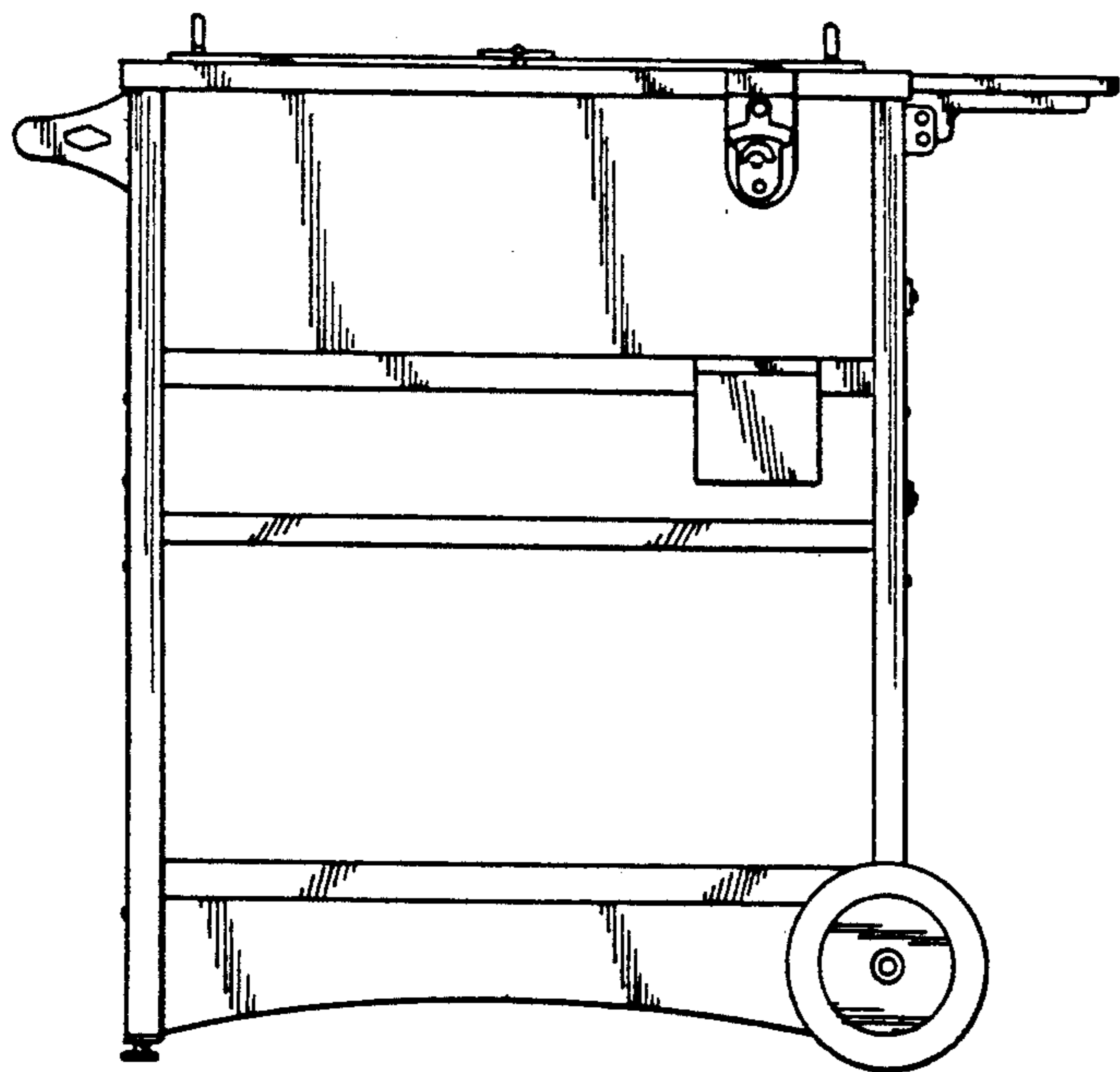


FIG. 2.

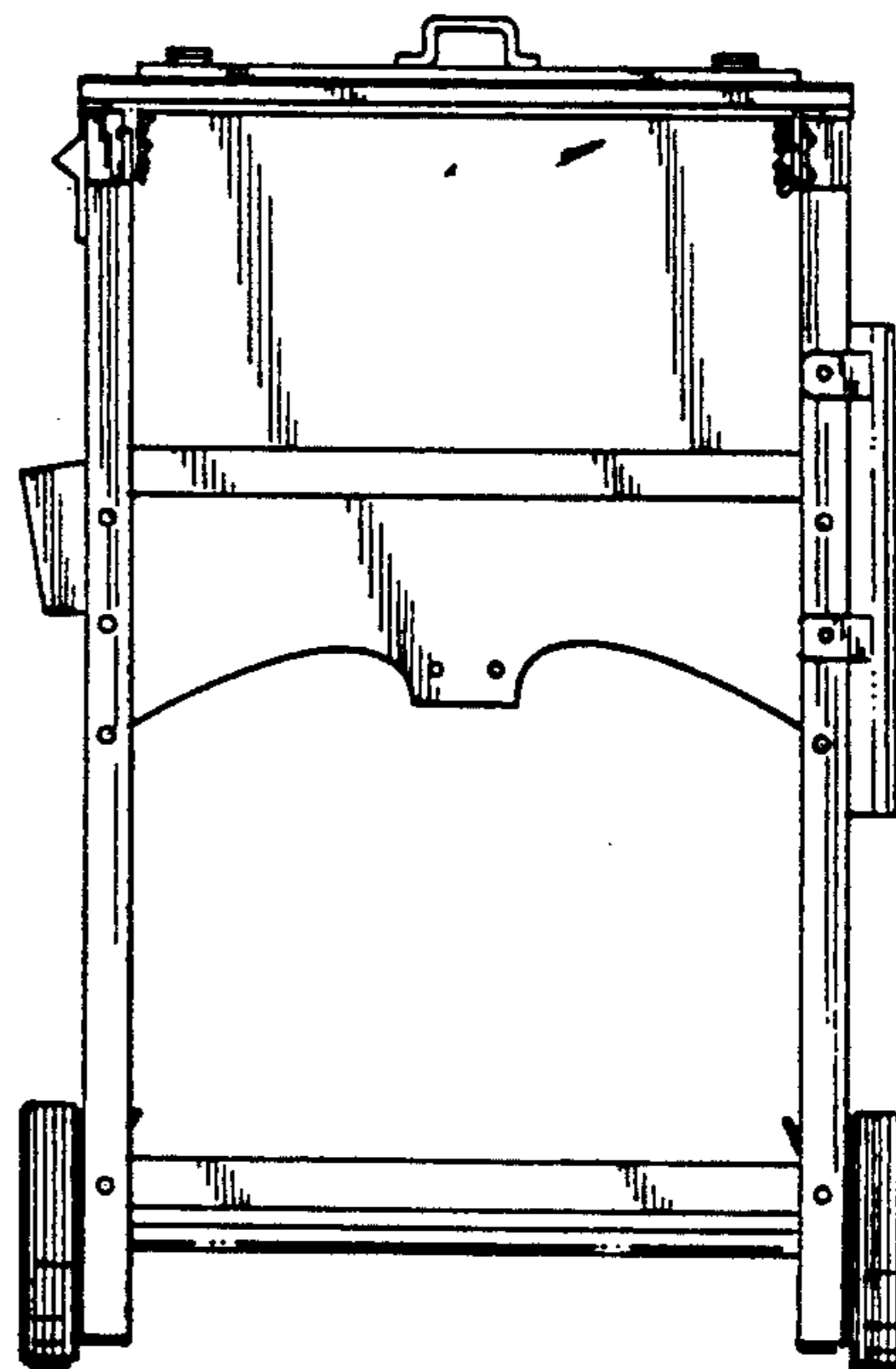


FIG. 3.

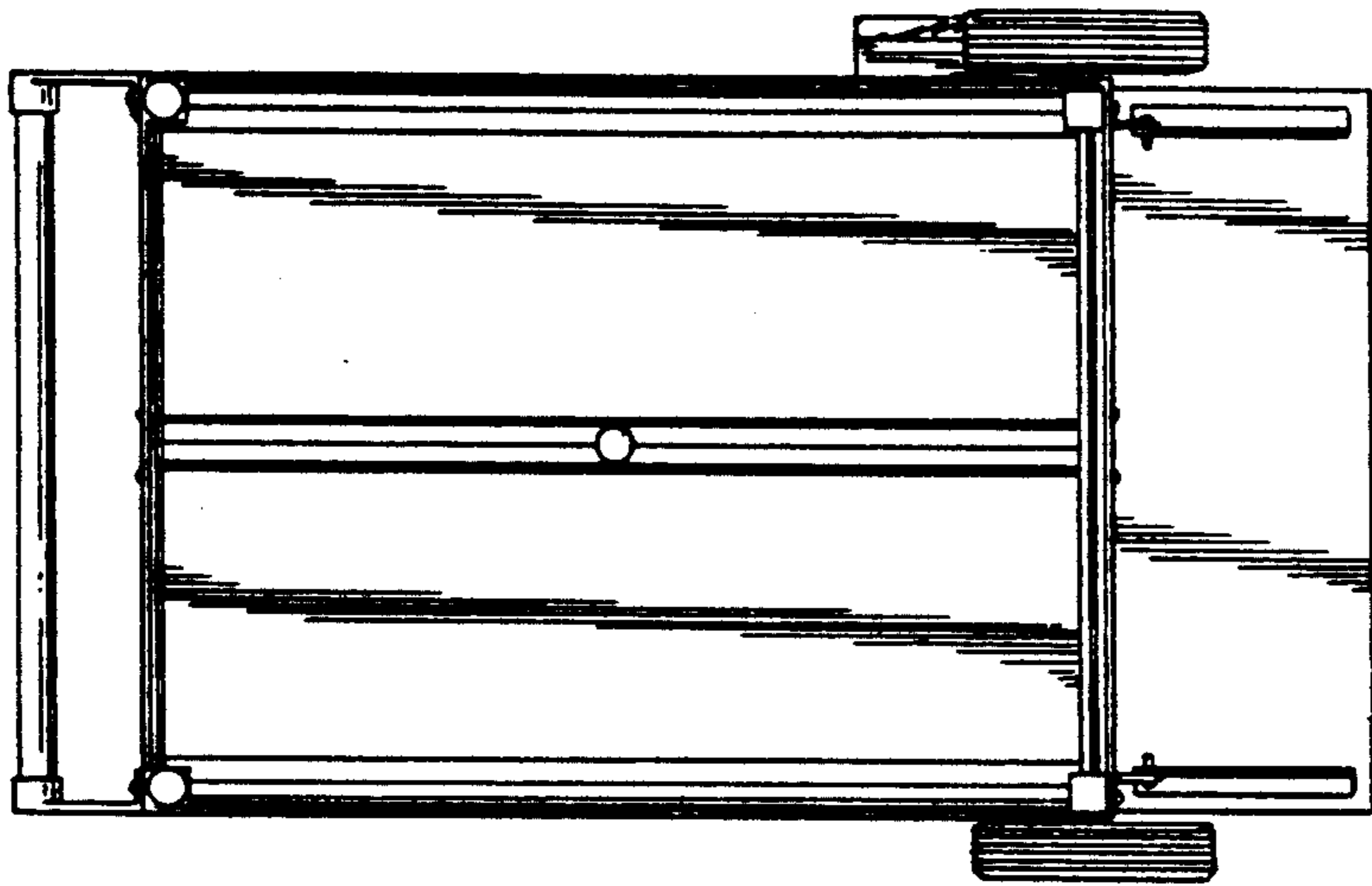


FIG. 4.

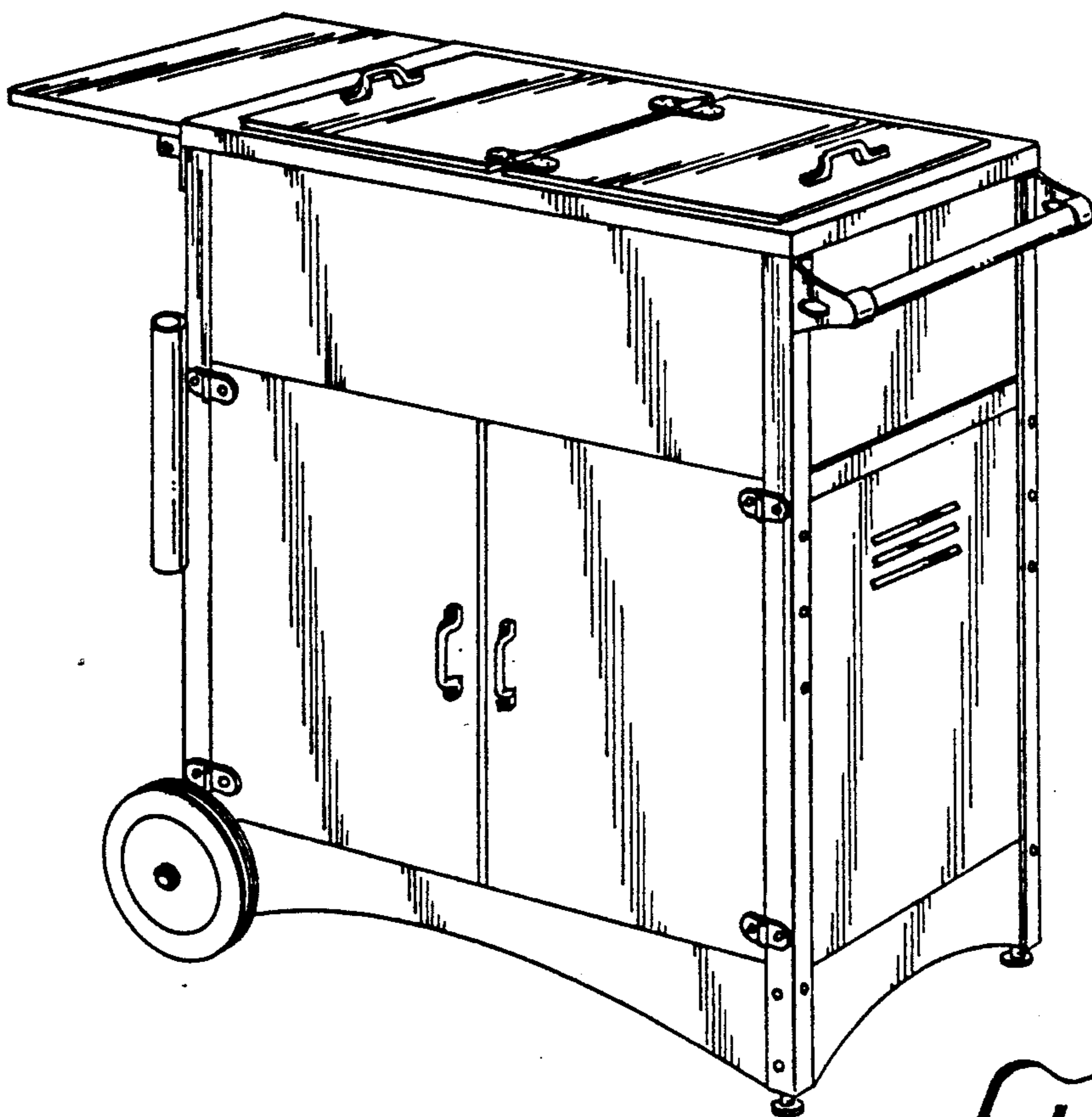


FIG. 5.

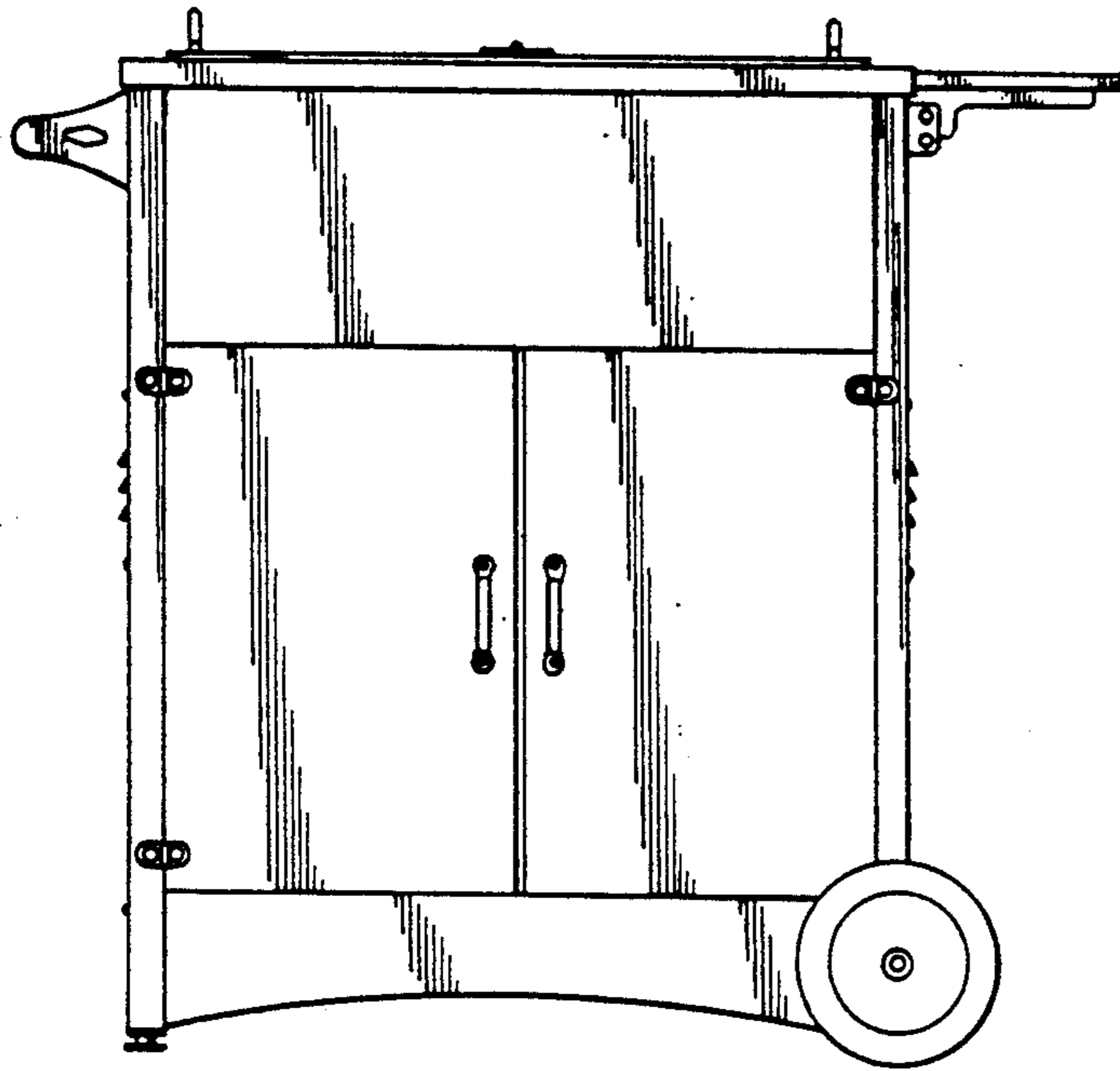


FIG. 6.

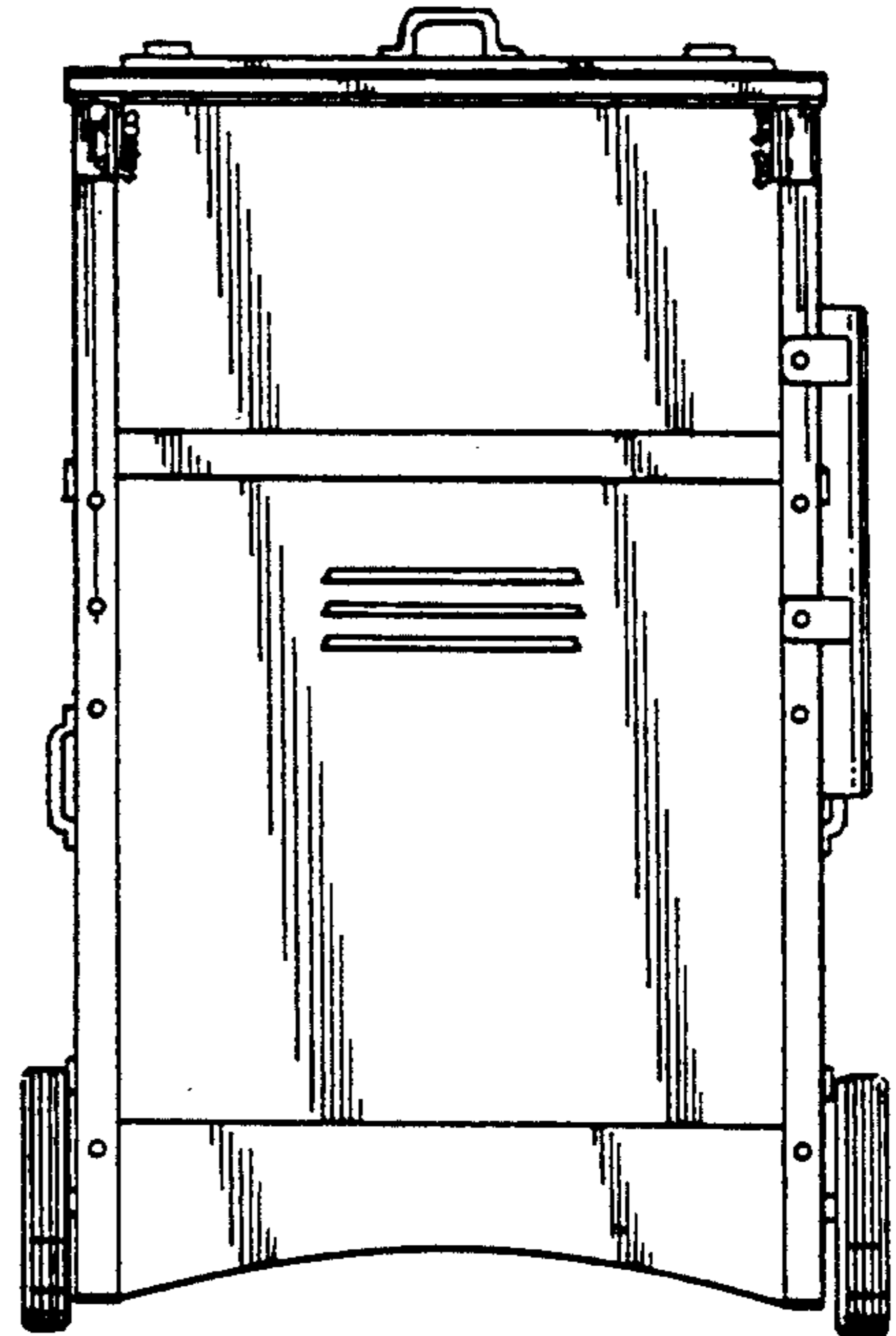


FIG. 7.

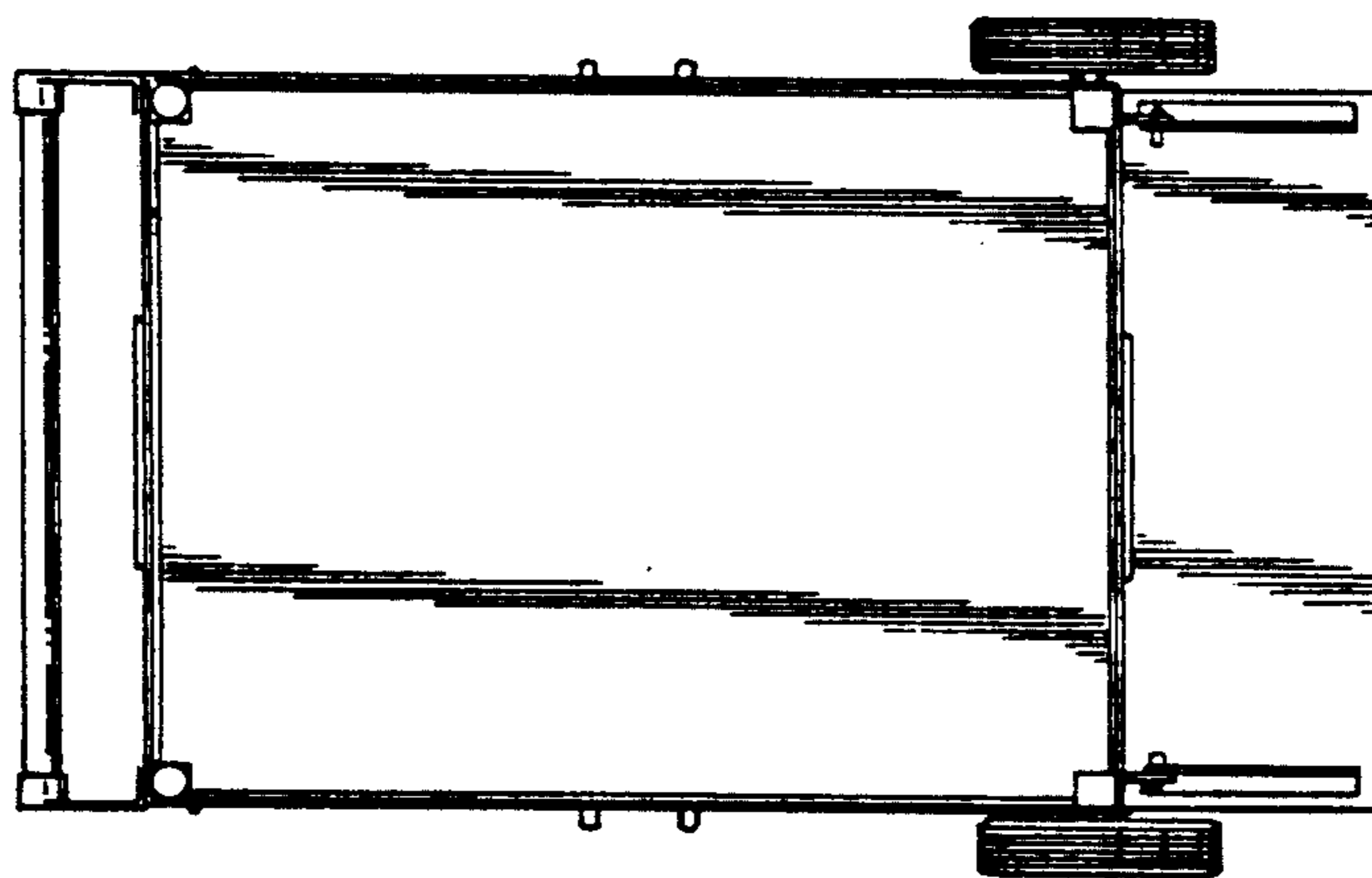


FIG. 8.