



US00D345838S

United States Patent [19]

[11] Patent Number: **Des. 345,838**

Bunn

[45] Date of Patent: **** Apr. 5, 1994**

[54] **WALL-MOUNTED RACK FOR SUPPORTING A RECYCLING BAG**

D. 319,125 8/1991 Currie D34/6
3,176,950 4/1965 Hittesdorf 248/226

[75] Inventor: **Robert W. Bunn, Dundee, Oreg.**

Primary Examiner—Kay H. Chin
Attorney, Agent, or Firm—Chernoff, Vilhauer, McClung & Stenzel

[73] Assignee: **The Bag Connection, Inc., Newberg, Oreg.**

[**] Term: **14 Years**

[57] **CLAIM**

[21] Appl. No.: **878**

The ornamental design for a wall-mounted rack for supporting a recycling bag, as shown and described.

[22] Filed: **Oct. 27, 1992**

DESCRIPTION

[52] U.S. Cl. **D34/6; D6/566**

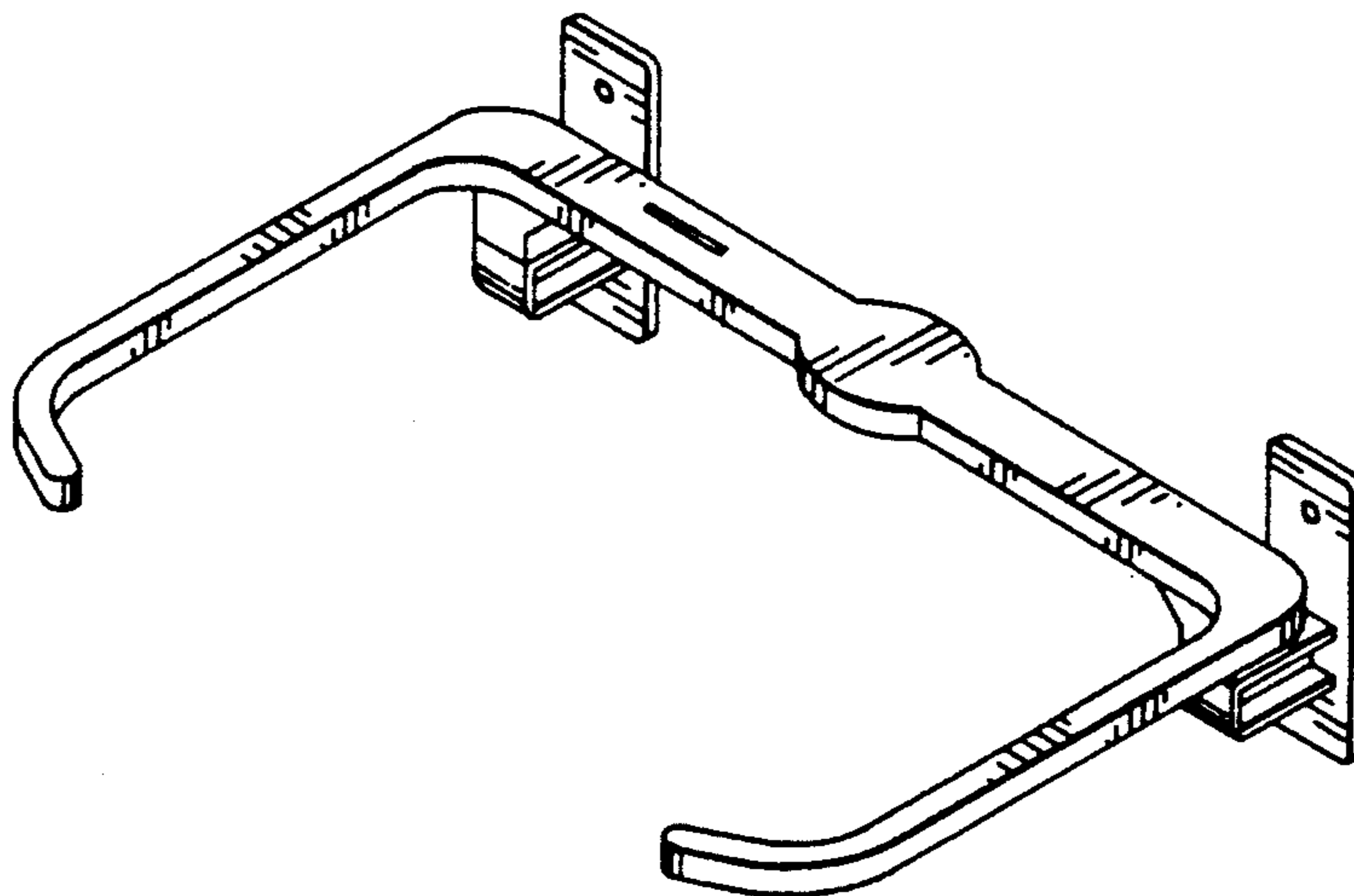
FIG. 1 is a perspective view, looking from above, of a wall-mounted rack for supporting a recycling bag; FIG. 2 is a front elevational view thereof; FIG. 3 is a rear elevational view thereof; FIG. 4 is a right side elevational view thereof, the left side being a mirror image thereof; FIG. 5 is a bottom plan view thereof; and, FIG. 6 is a top plan view thereof.

[58] Field of Search 248/95, 97, 99, 100, 248/101, 226; D6/566; D34/1, 5, 6

[56] **References Cited**

U.S. PATENT DOCUMENTS

D. 282,994 3/1986 Proder D34/6



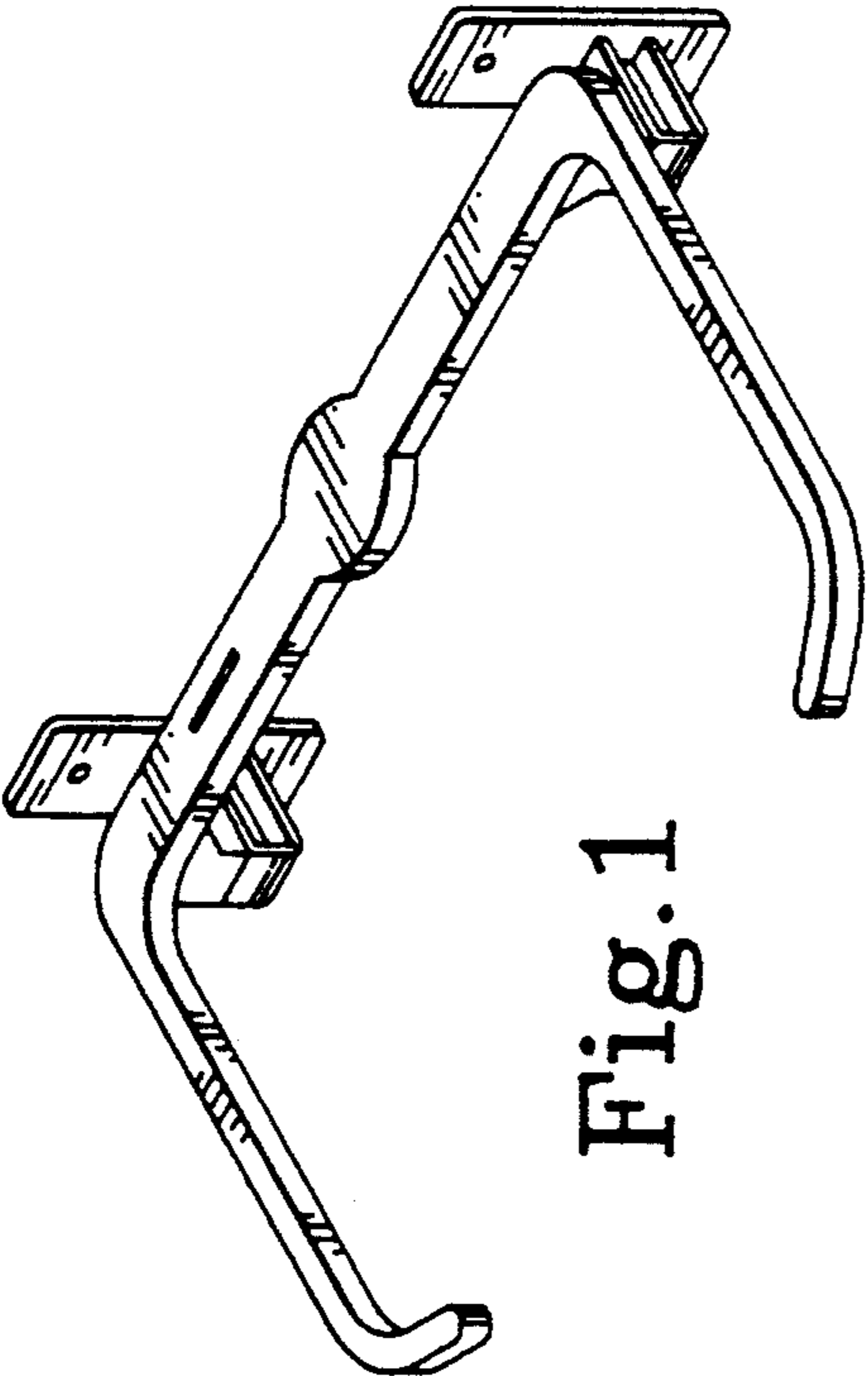


Fig. 1

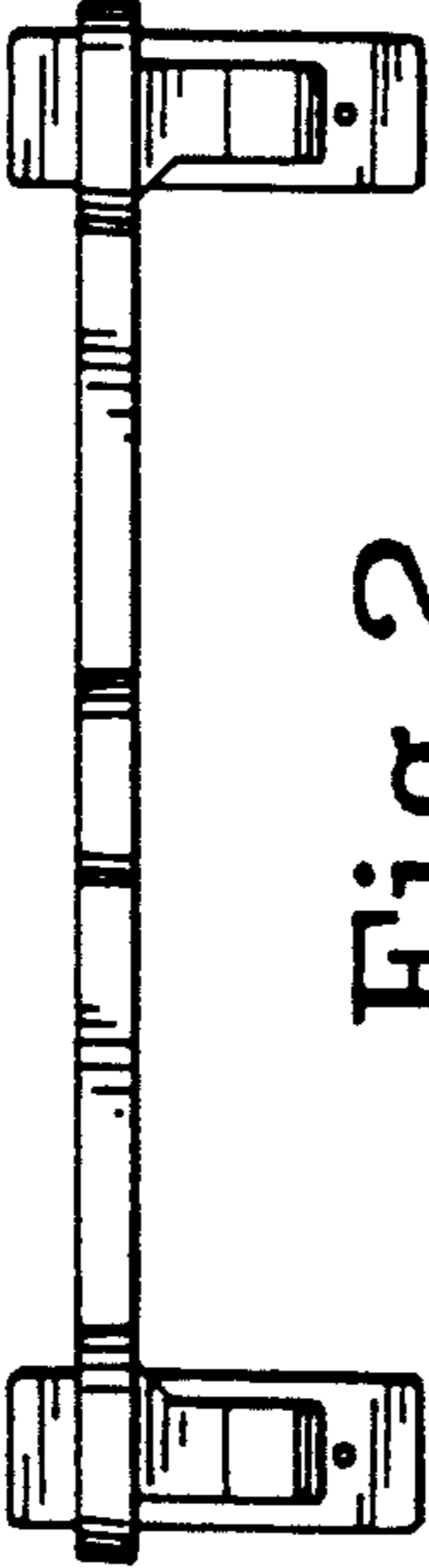


Fig. 2

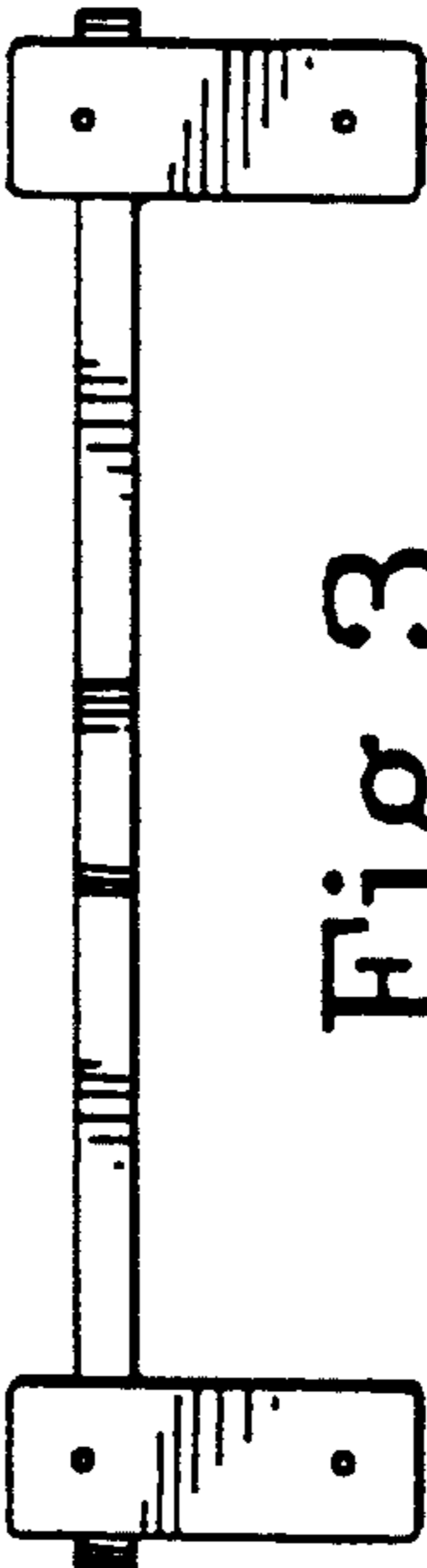


Fig. 3

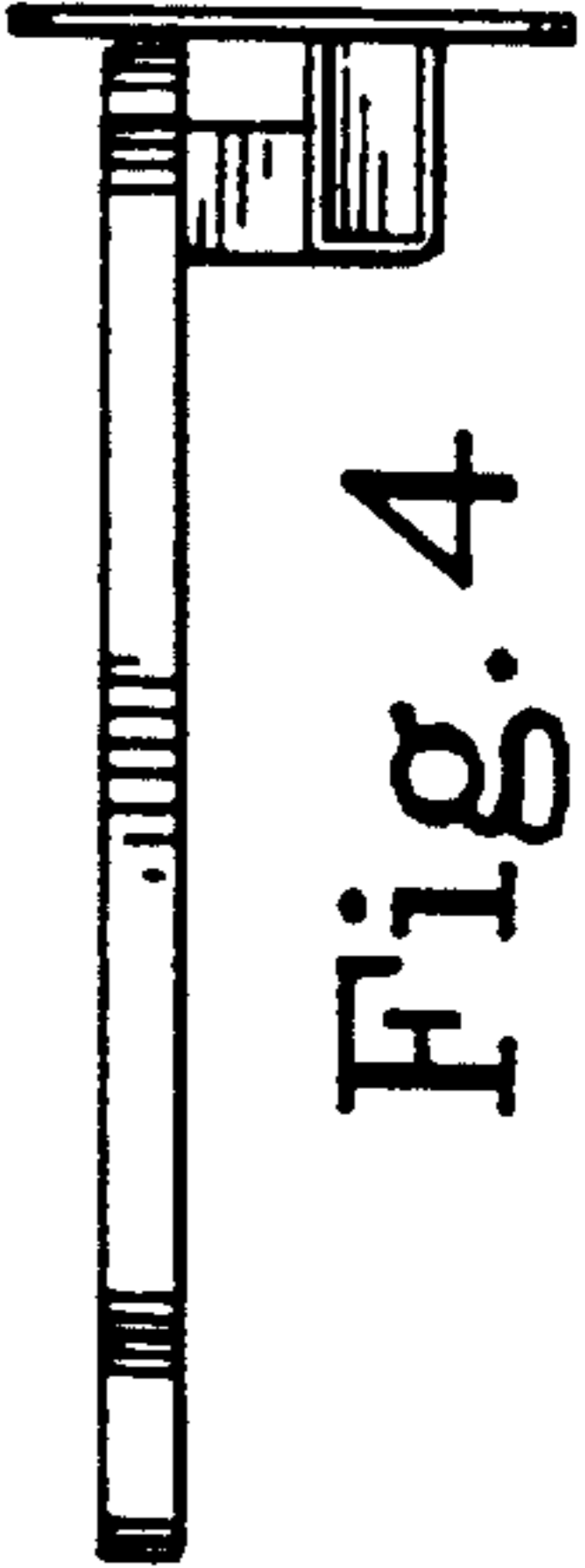


Fig. 4

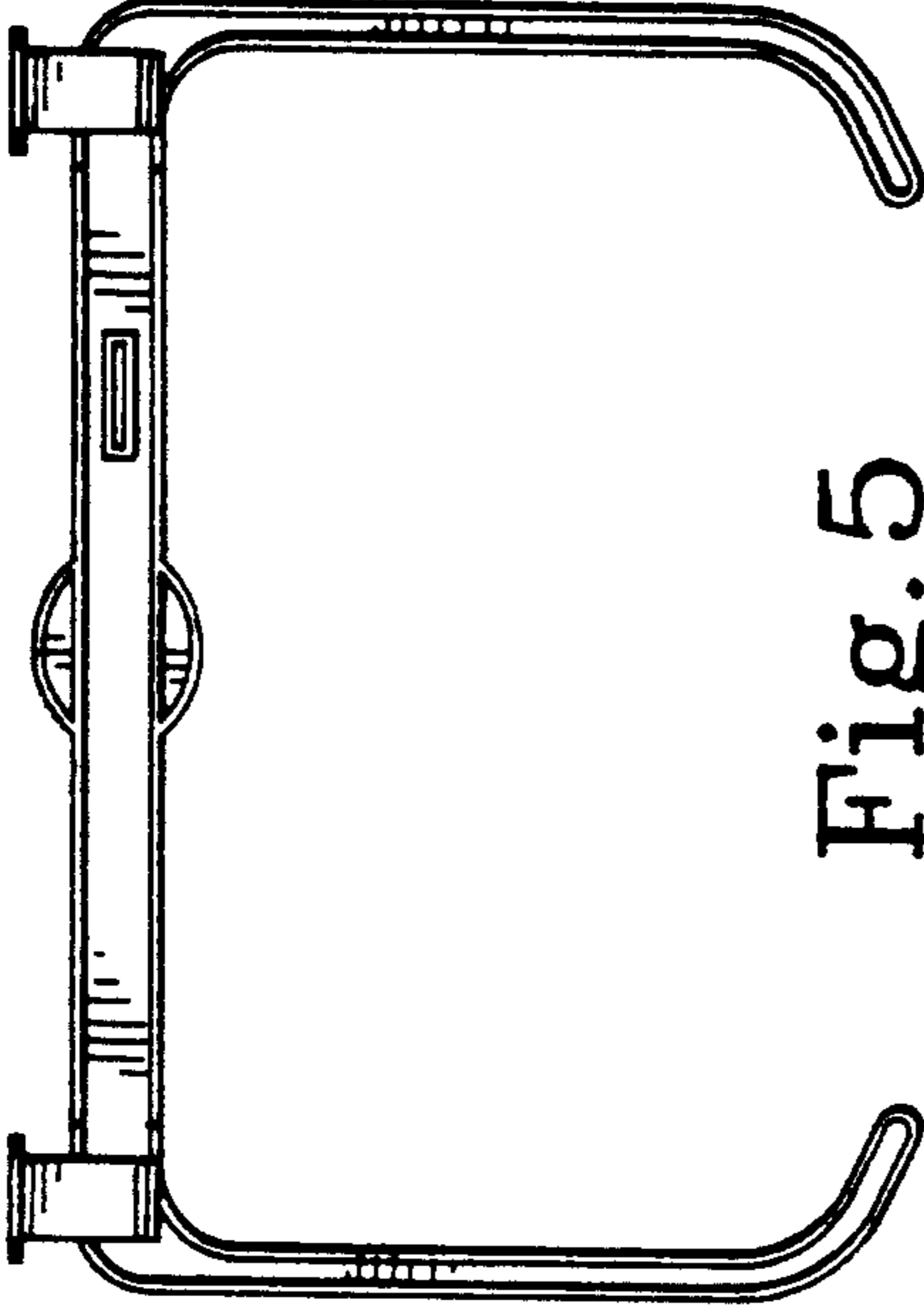


Fig. 5

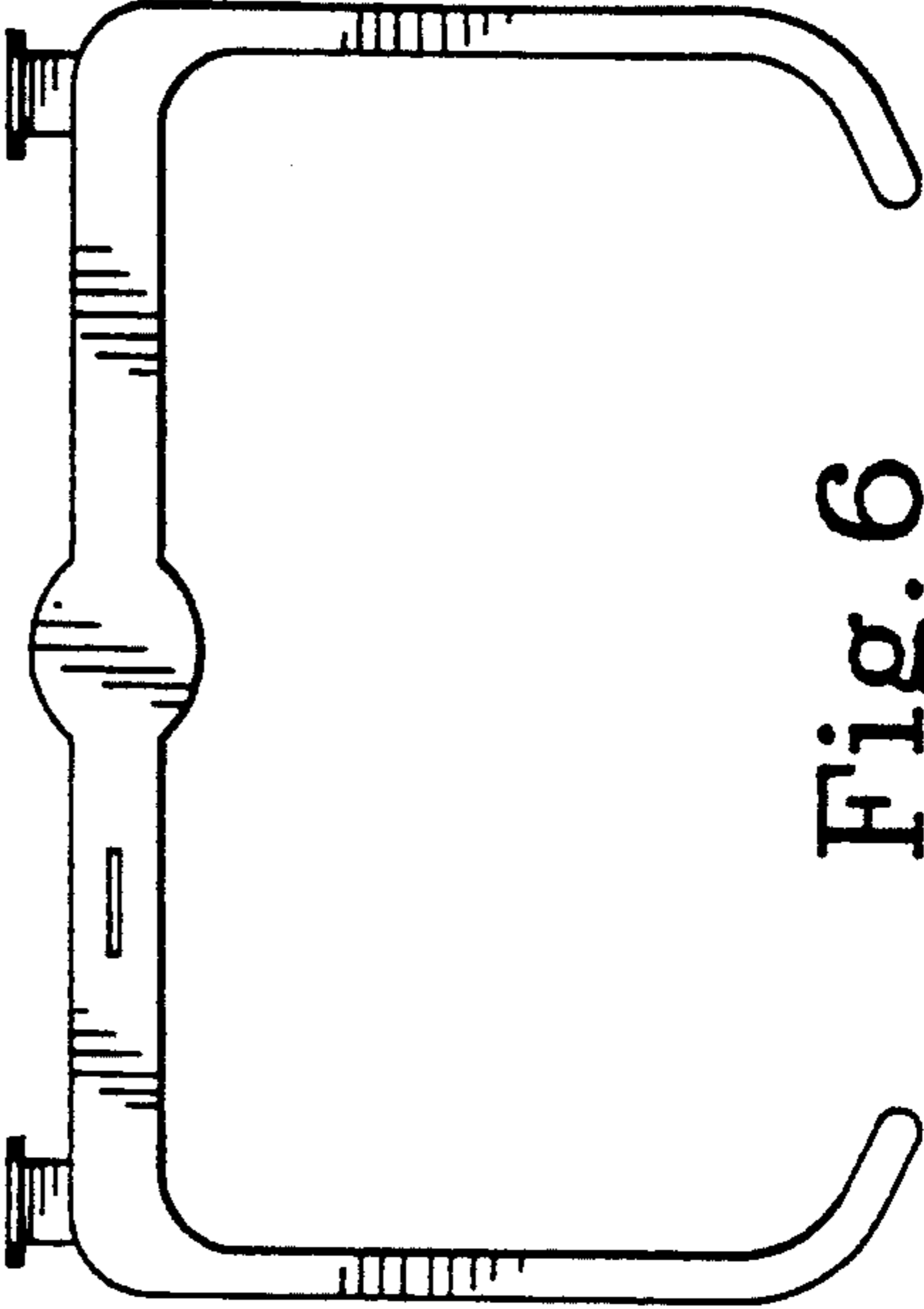


Fig. 6