



US00D345834S

# United States Patent [19]

Craft et al.

[11] Patent Number: Des. 345,834

[45] Date of Patent: \*\* Apr. 5, 1994

[54] **DISH RACK**

[75] Inventors: **Charles W. Craft**, Apple Creek; **Stacy L. Wolff**, Akron, both of Ohio

[73] Assignee: **Rubbermaid Incorporated**, Wooster, Ohio

[\*\*] Term: **14 Years**

[21] Appl. No.: **818,965**

[22] Filed: **Jan. 10, 1992**

[52] U.S. Cl. .... **D32/55**

[58] Field of Search ..... 211/41, 126; 4/637, 4/656-657; 108/16, 24; 220/571-572, 487-488; D32/55-57

[56] **References Cited**

**U.S. PATENT DOCUMENTS**

D. 164,197	8/1951	Planeta	.....	D32/55
D. 174,073	2/1955	Bliss	.....	D32/55
D. 212,301	9/1968	Taylor	.....	D32/55
D. 214,524	6/1969	Taylor	.....	D32/55
D. 259,537	6/1981	Taylor	.....	D32/55
D. 265,262	6/1982	Taylor	.....	D32/55
D. 268,878	5/1983	Taylor	.....	D32/55
D. 271,340	11/1983	Taylor	.....	D32/55
1,682,654	8/1928	Andrews	.....	D32/55 X
1,763,174	6/1930	Morris	.....	D32/55 X
1,908,128	5/1933	DeBie	.....	4/656
2,697,525	12/1954	Breneman	.....	211/41
2,864,509	12/1958	Watral	.....	211/41
3,442,395	5/1969	Taylor	.....	211/41
4,221,299	9/1980	Taylor	.....	211/41
4,372,448	2/1983	Drach	.....	211/41
4,726,475	2/1988	Ferenzi	.....	211/126

**OTHER PUBLICATIONS**

Catalog Page, Dish Rack, Nova Housewares, c/-Kader Plastics Pty. Ltd., Hume Highway, P.O. Box 42, Craigieburn, Victoria 3064, Australia, It is believed that

the product depicted herein has been on sale for more than one (1) year prior to the application date of this instant application.

Catalog Page, Dish Racks, Sterilite, 198 Main Street, P.O. Box 524, Townsend, Mass. 01469.

Pp. 16 and 17, Dish Racks, Tucker Housewares, 25 Tucker Drive, Leominster, Mass. 01469.

Catalog Page, Dish Racks, Tucker Housewares, 25 Tucker Drive, Leominster, Mass. 01469.

Sell Sheet, Dish Rack, Ingrid Housewares, 1419 Lake Cook Road, Suite 200, Deerfield, Ill. 60015.

P. 28 Dish Rack, Dupol-Rubbermaid GmbH, An der Trift, D-6072 Dreieich, Germany.

P. 6, Dish Racks, Rubbermaid Incorporated, Housewares Products Division, 1147 Akron Road, Wooster, Ohio 44691.

P. 5, Dish Racks Rubbermaid Incorporated, Housewares Products Division, 1147 Akron Road, Wooster, Ohio 44691.

*Primary Examiner*—Susan J. Lucas

*Assistant Examiner*—Lavone D. Tabor

*Attorney, Agent, or Firm*—Richard B. O'Planick; Lisa B. Riedesel

[57] **CLAIM**

The ornamental design for a dish rack, as shown and described.

**DESCRIPTION**

FIG. 1 is a top right front perspective view of a dish rack showing our new design;

FIG. 2 is an enlarged top plan view thereof;

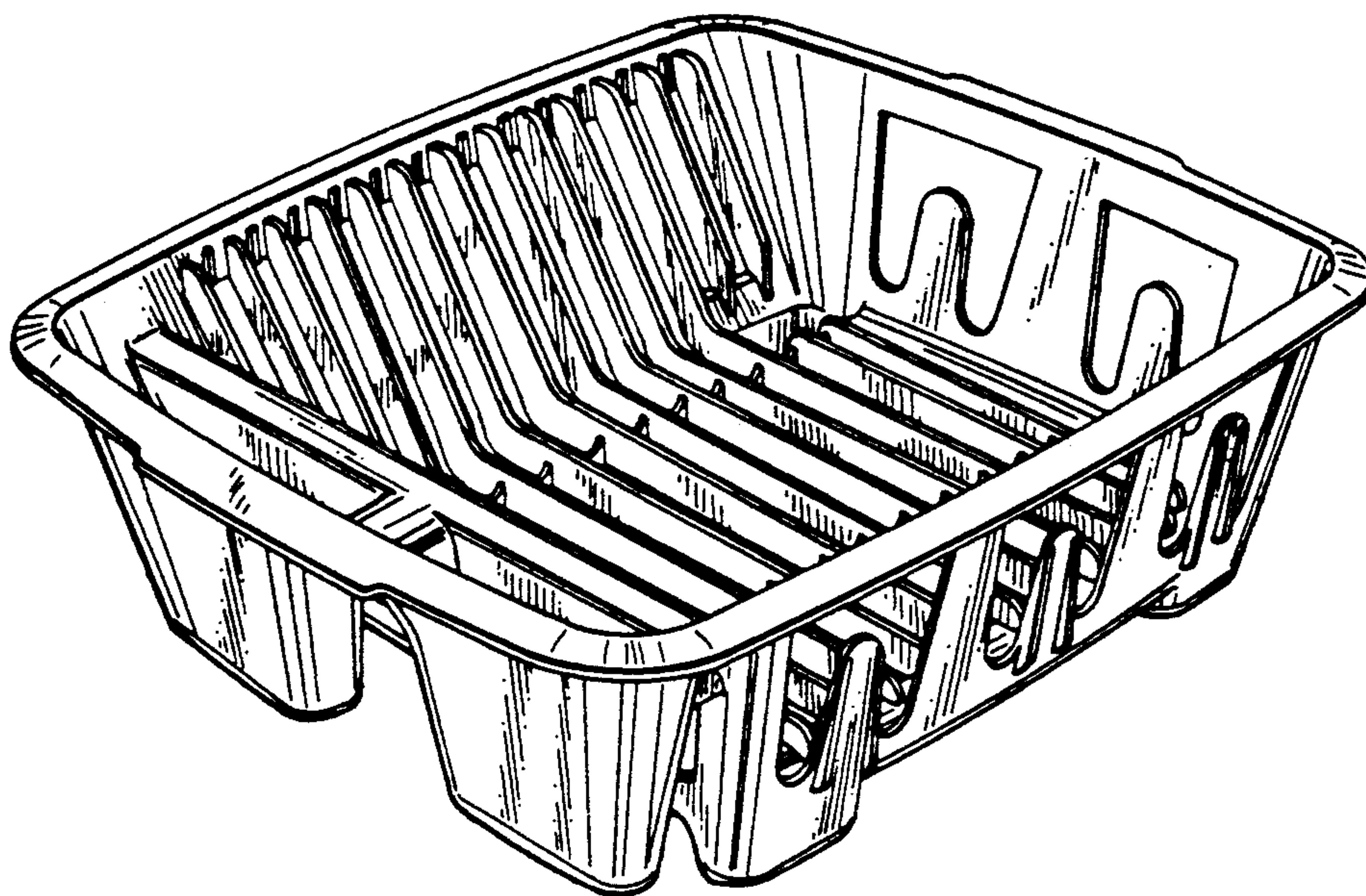
FIG. 3 is a bottom plan view thereof;

FIG. 4 is a right side elevational view thereof;

FIG. 5 is a left side elevational view thereof;

FIG. 6 is a front elevational view thereof; and,

FIG. 7 is a rear elevational view thereof.



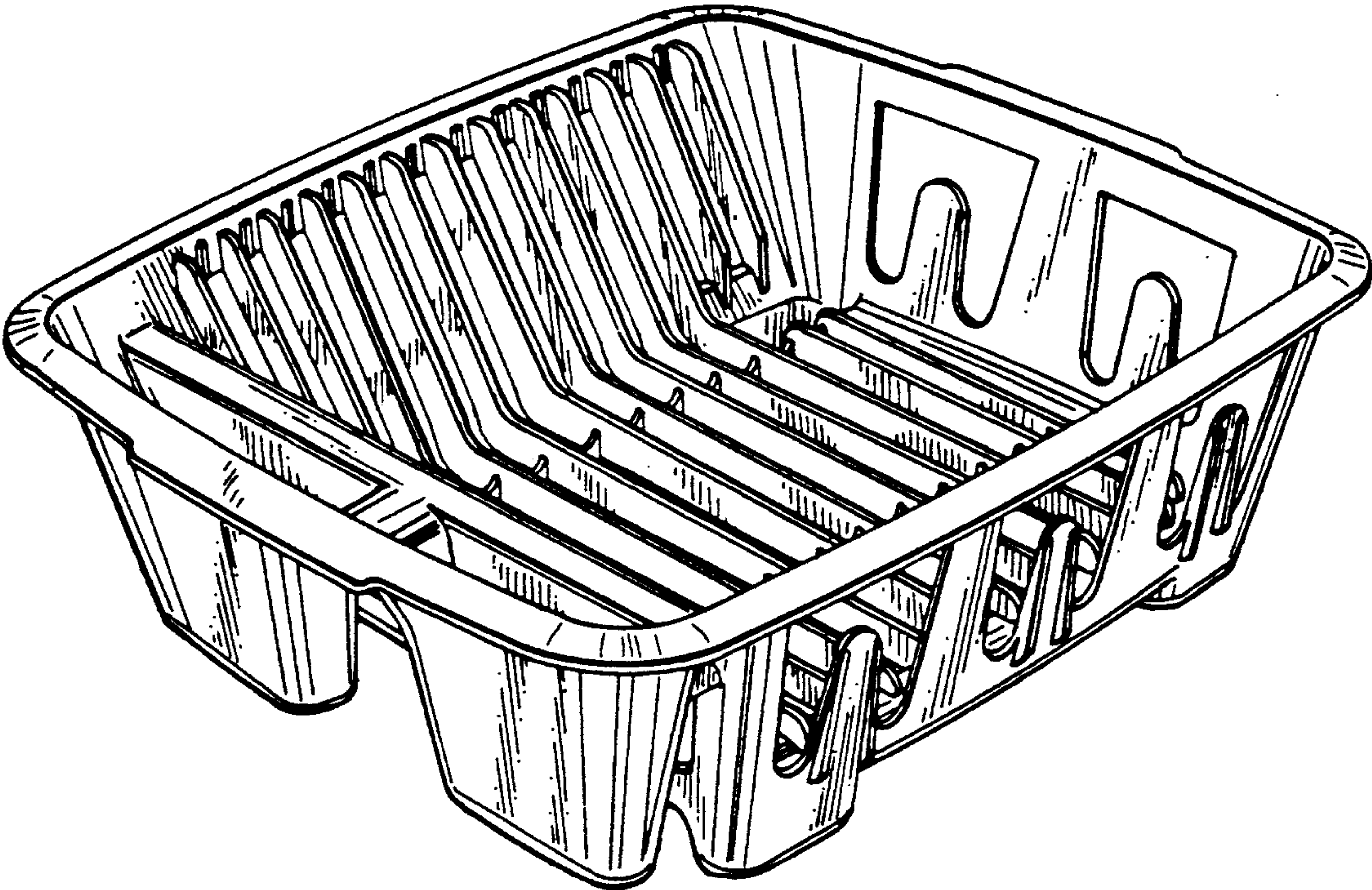


FIG. 1



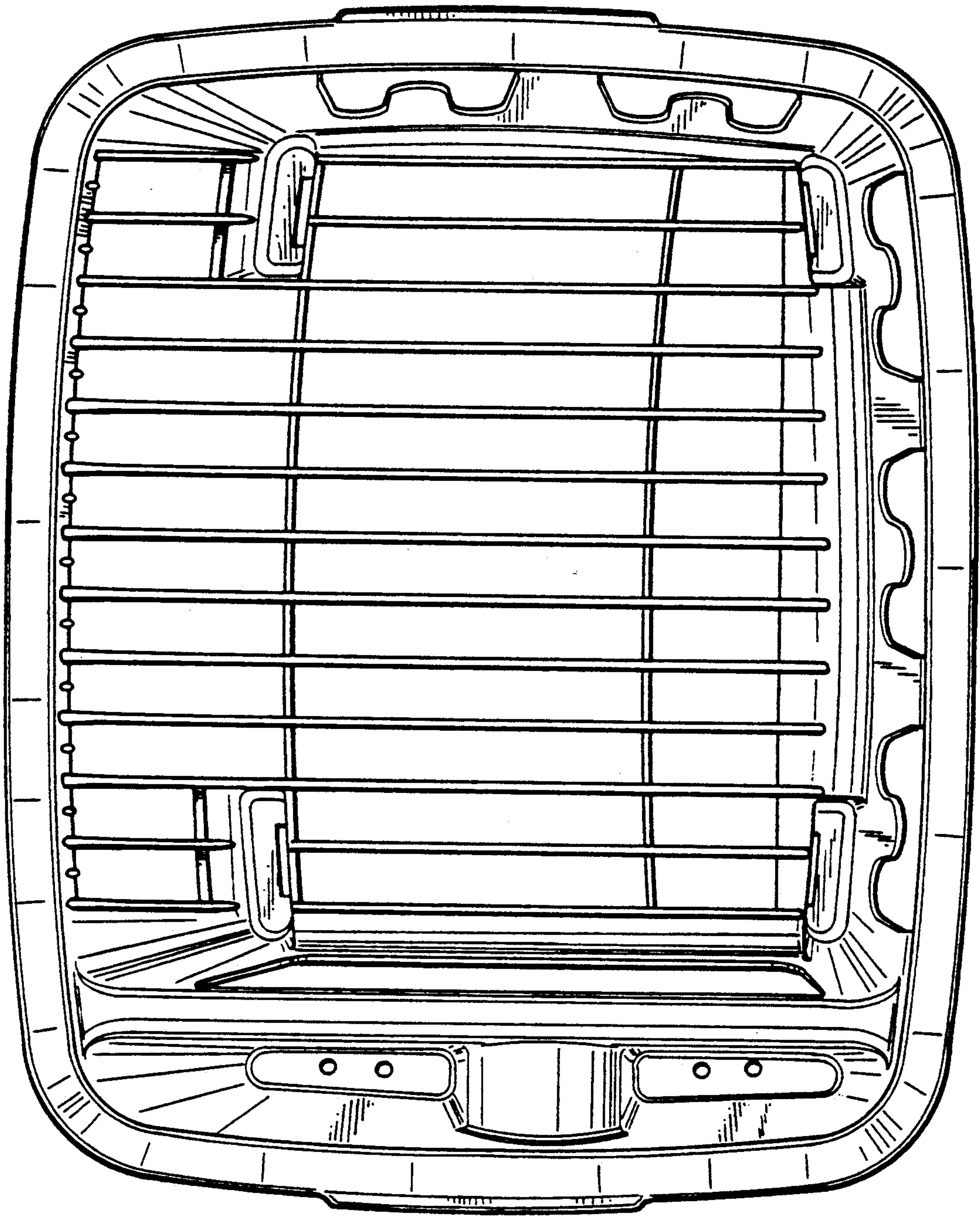


FIG. 2

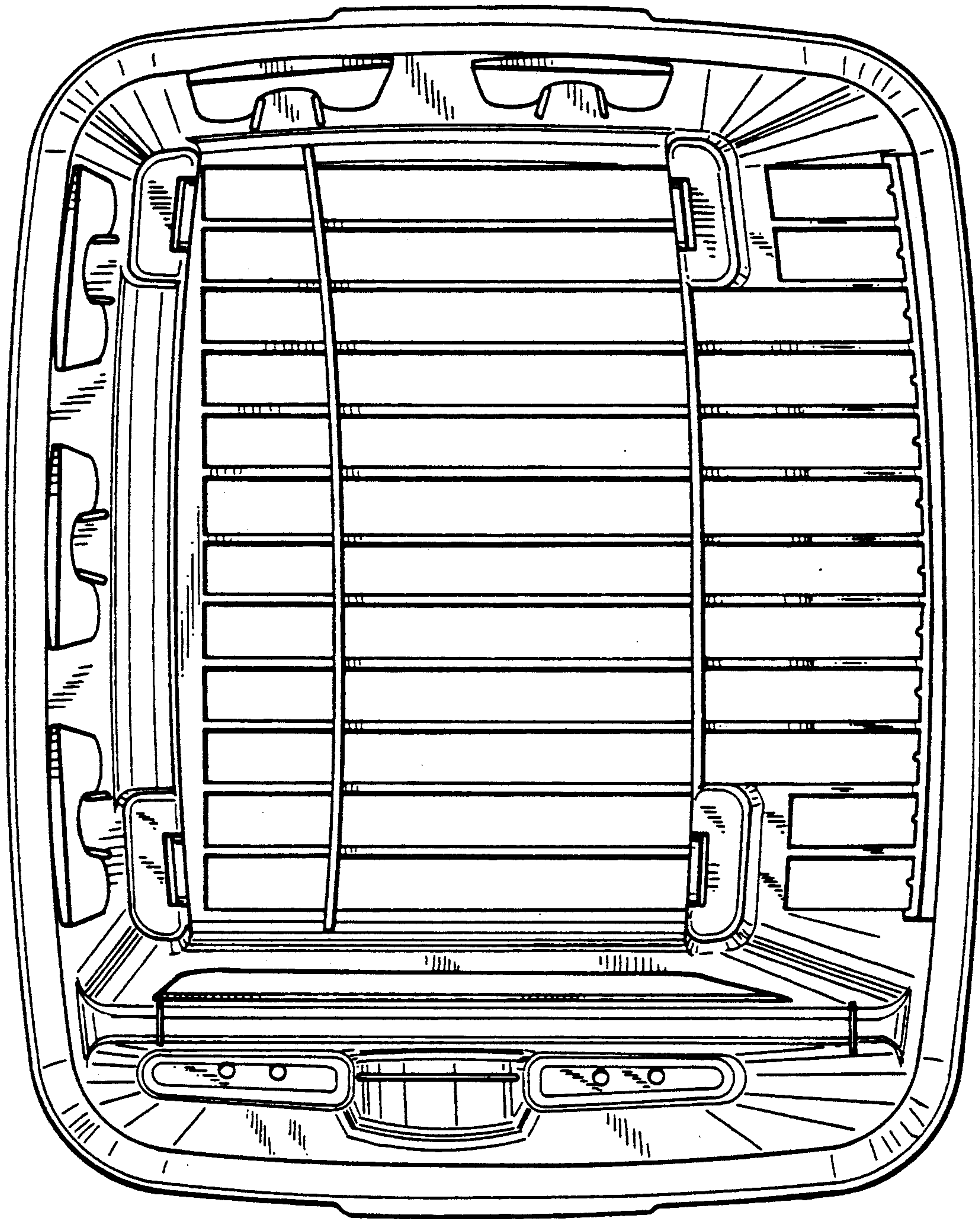


FIG. 3

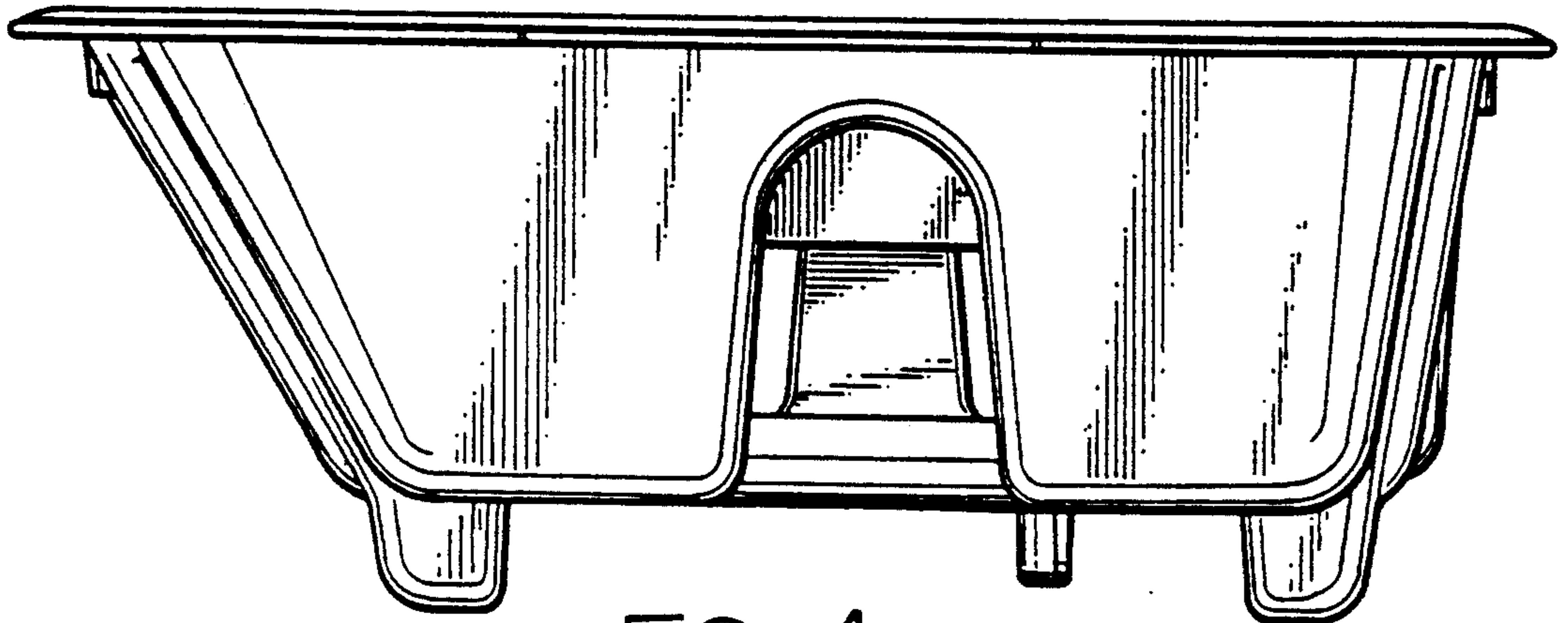


FIG. 4

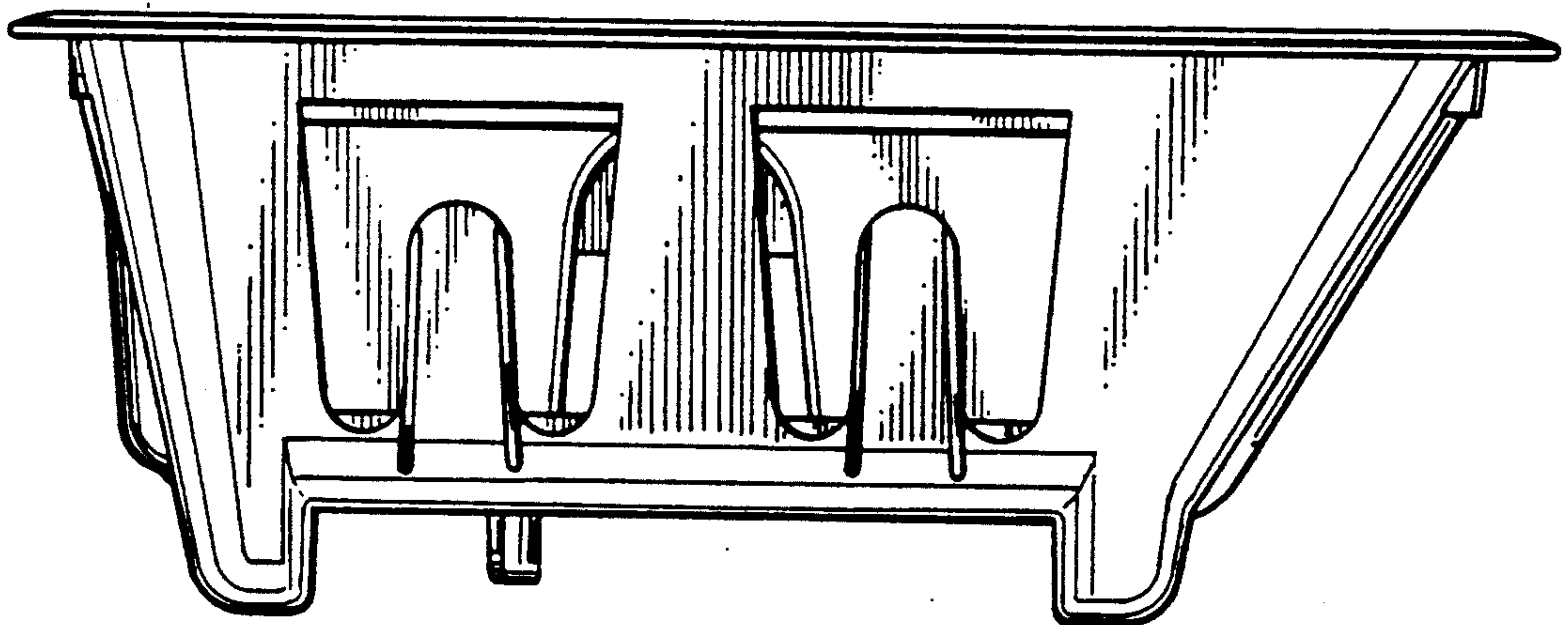


FIG. 5



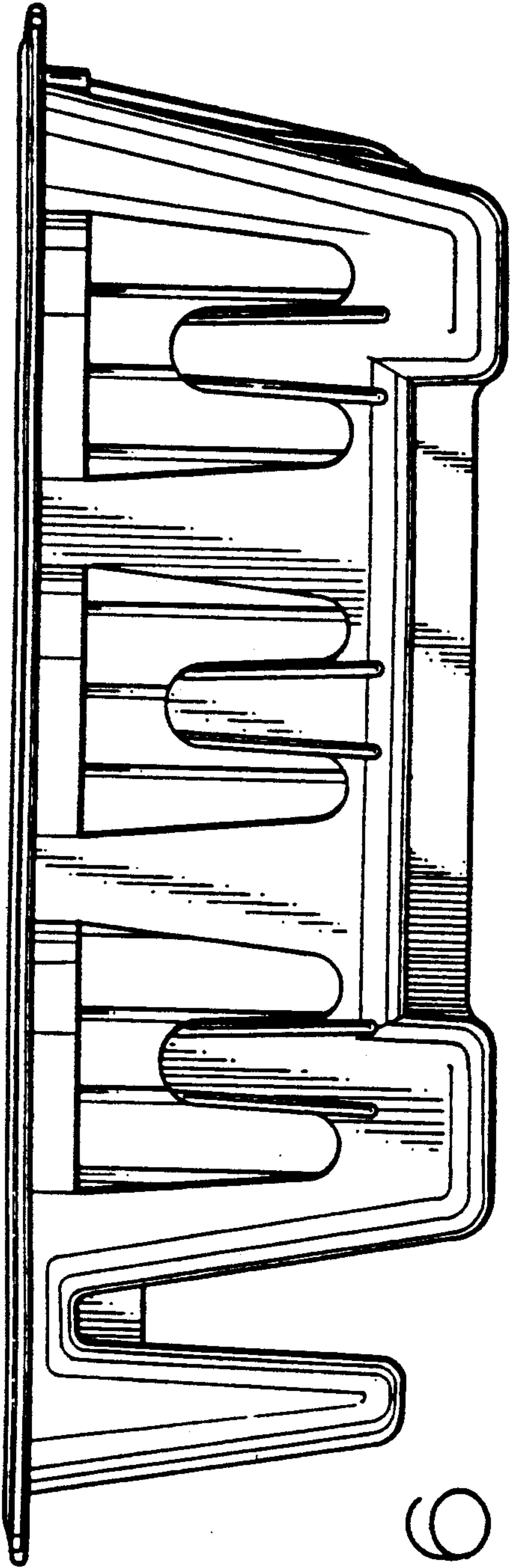


FIG. 6

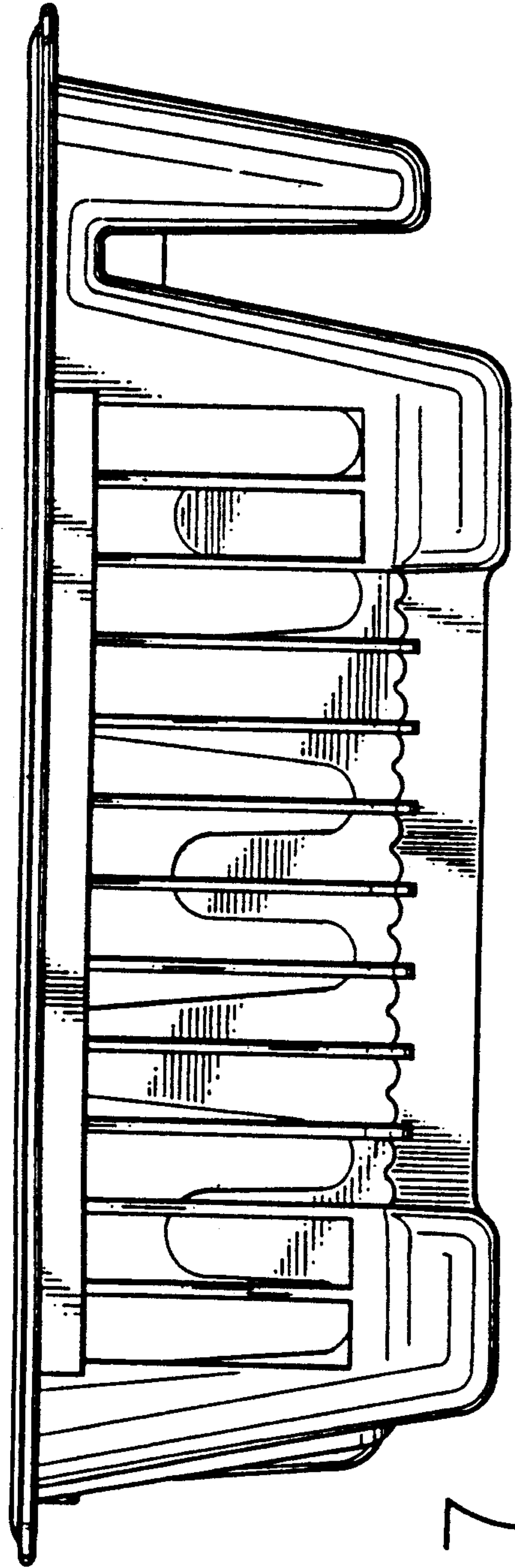


FIG. 7