



US00D345833S

United States Patent [19]

[11] Patent Number: **Des. 345,833**

Truran

[45] Date of Patent: **** Apr. 5, 1994**

[54] **COMBINED PAINT CAN LID AND BRUSH HOLDER**

[76] Inventor: **Thomas M. Truran, P.O. Box 2359, Dearborn, Mich. 48123**

[**] Term: **14 Years**

[21] Appl. No.: **9,783**

[22] Filed: **Jun. 21, 1993**

[52] U.S. Cl. **D32/54**

[58] Field of Search **D6/532, 533, 536; D9/435, 434; 15/247, 248.1, 264; 206/525; 248/210, 238; 220/697, 698, 699, 700, 701, 702, 669, 904; 222/570; D32/53, 54**

[56] **References Cited**

U.S. PATENT DOCUMENTS

| | | | |
|------------|---------|-------------|---------|
| D. 276,595 | 12/1984 | Miller | 22/570 |
| 413,526 | 10/1889 | Light | |
| 731,289 | 6/1903 | Domagolu | 220/697 |
| 775,526 | 11/1904 | Dunbar | |
| 893,469 | 7/1908 | Essmuller | |
| 1,361,348 | 12/1920 | Pfisterer | |
| 1,471,712 | 10/1923 | Sohnle | |
| 1,682,048 | 8/1928 | Levien | |
| 1,698,403 | 1/1929 | Harris | |
| 1,734,976 | 11/1929 | McClellan | |
| 1,965,356 | 7/1934 | Rittenhouse | |
| 2,004,285 | 6/1935 | Kent et al. | |
| 2,331,971 | 10/1943 | Gramp | |
| 2,402,374 | 6/1946 | Corn et al. | |
| 2,566,877 | 9/1951 | Dunton | |
| 2,567,326 | 9/1951 | Entsminger | |
| 2,591,468 | 4/1952 | Rorem | |
| 2,606,694 | 8/1952 | Galletta | 222/570 |
| 2,676,730 | 4/1954 | Hedglon | |
| 2,745,570 | 5/1956 | Miller | |
| 2,767,891 | 10/1956 | Beadles | |
| 2,802,609 | 8/1957 | Donovan | |

| | | | |
|-----------|---------|-----------------|---------|
| 2,803,374 | 8/1957 | Cash | |
| 2,807,431 | 9/1957 | McHale | |
| 2,873,032 | 2/1959 | Atherton | |
| 2,941,692 | 6/1960 | Kappel | |
| 2,955,722 | 10/1960 | Antonious | |
| 2,960,257 | 11/1960 | Sasse | |
| 3,016,169 | 1/1962 | Kirshenbaum | D32/54 |
| 3,031,112 | 4/1962 | Smith | |
| 3,168,962 | 2/1965 | Rawlins et al. | |
| 3,221,955 | 12/1965 | Banaszak et al. | |
| 3,275,187 | 9/1966 | Lamoureaux | 220/697 |
| 3,309,000 | 3/1967 | Haverstick | |
| 3,356,266 | 12/1967 | Pinter, Jr. | |
| 3,366,272 | 1/1968 | Ballmann | |
| 3,372,834 | 3/1968 | Ayotte et al. | |
| 3,395,888 | 8/1968 | Schnabel | D32/54 |
| 3,400,867 | 9/1968 | Giannone | |
| 3,463,366 | 8/1969 | Spencer | |
| 3,469,735 | 9/1969 | Burt | |
| 4,203,537 | 5/1980 | McAlister | |
| 4,225,064 | 9/1980 | Westcott | 222/570 |
| 4,583,666 | 4/1986 | Buck | |

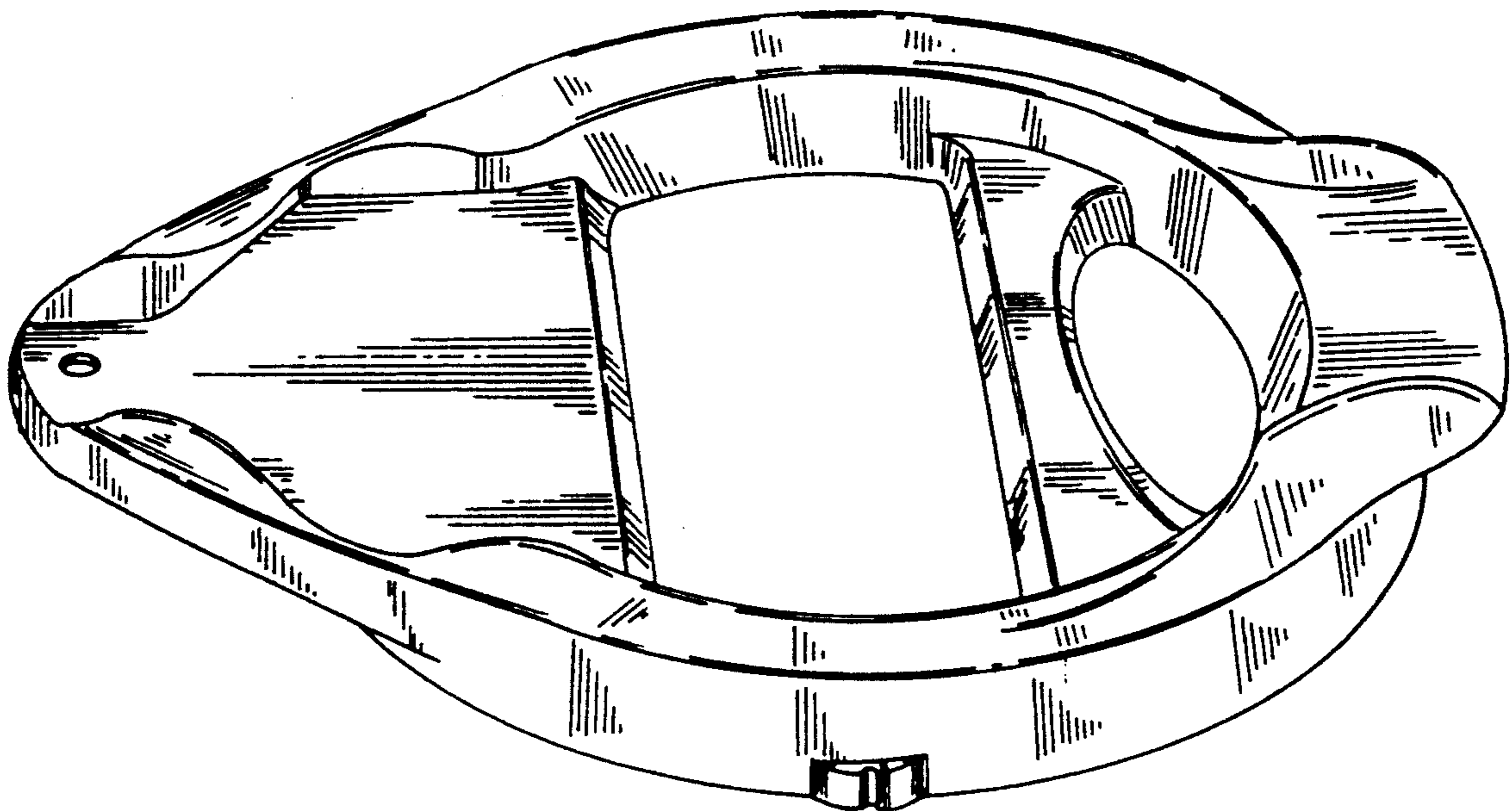
Primary Examiner—Wallace R. Burke
Assistant Examiner—Robin Taylor
Attorney, Agent, or Firm—Price, Heneveld, Cooper, DeWitt & Litton

[57] **CLAIM**

The ornamental design for the combined paint can lid and brush holder, as shown and described.

DESCRIPTION

FIG. 1 is a perspective view of the combined paint can lid and brush holder showing my new design; FIG. 2 is a side elevational view, the left hand side view being a mirror image of the right hand side; FIG. 3 is a front elevational view; FIG. 4 is a rear elevational view; FIG. 5 is a top plan view; and, FIG. 6 is a bottom plan view.



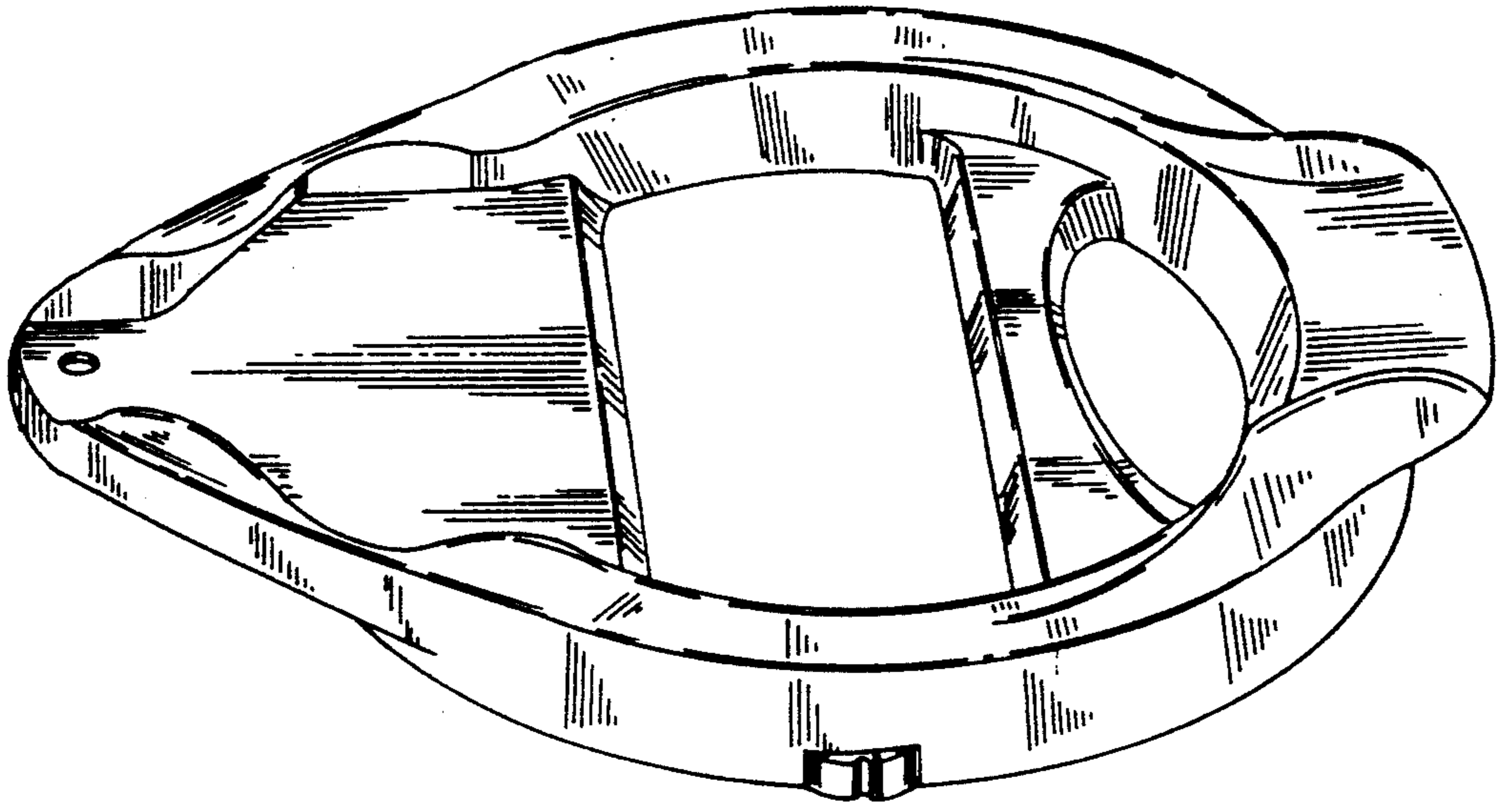


FIG. 1

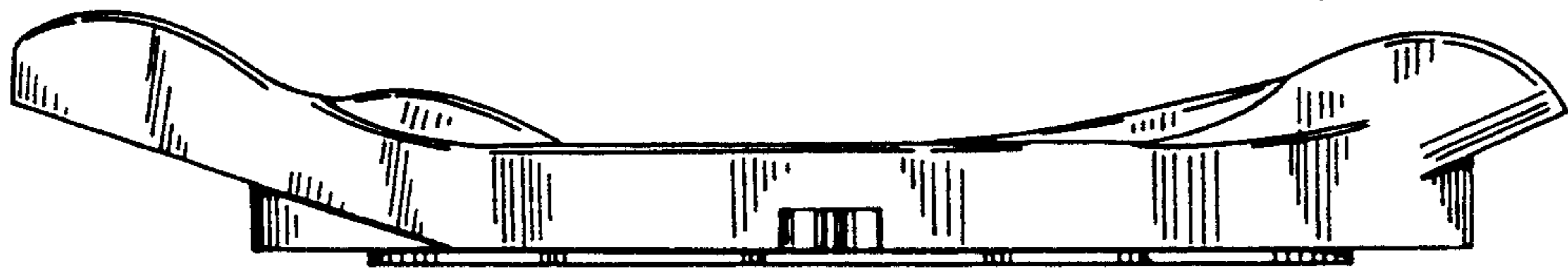


FIG. 2

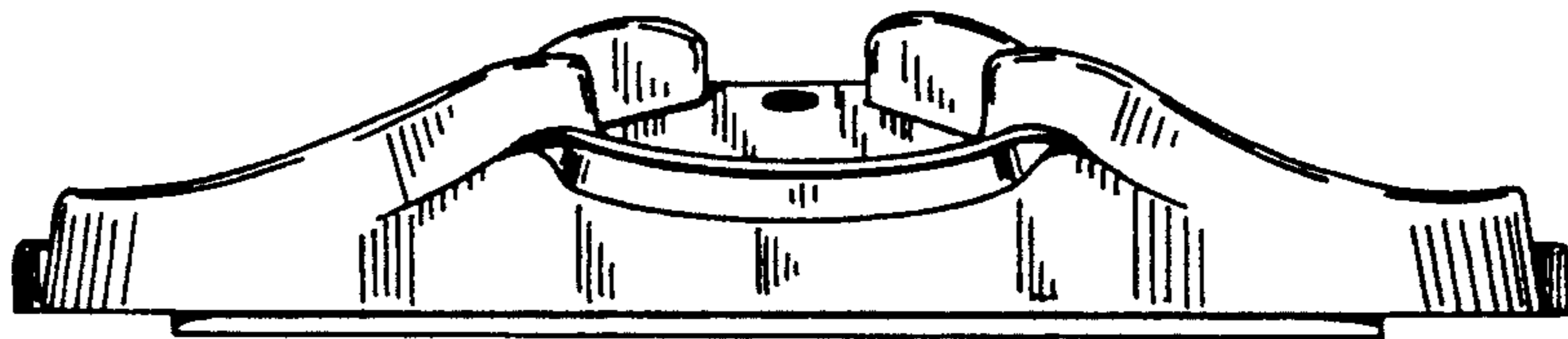


FIG. 3

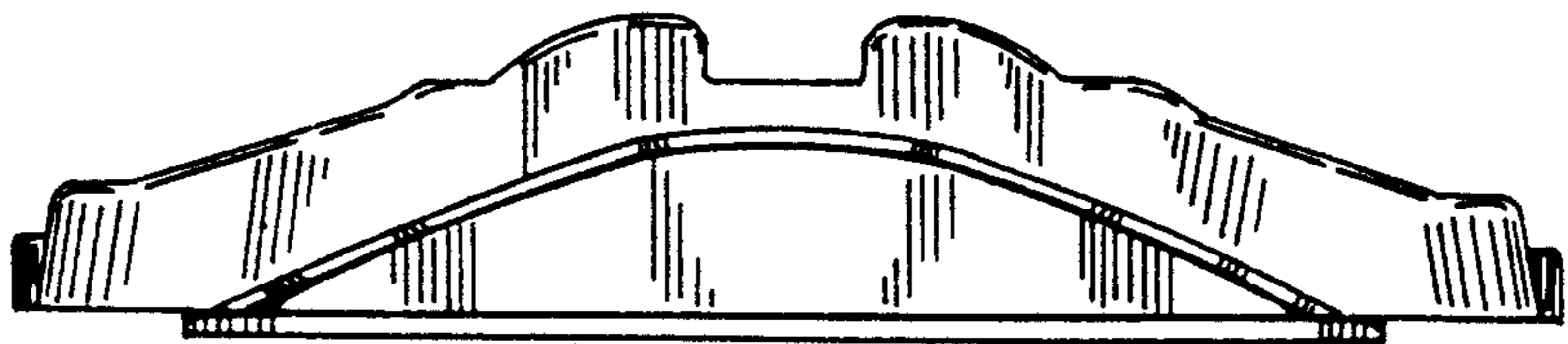


FIG. 4

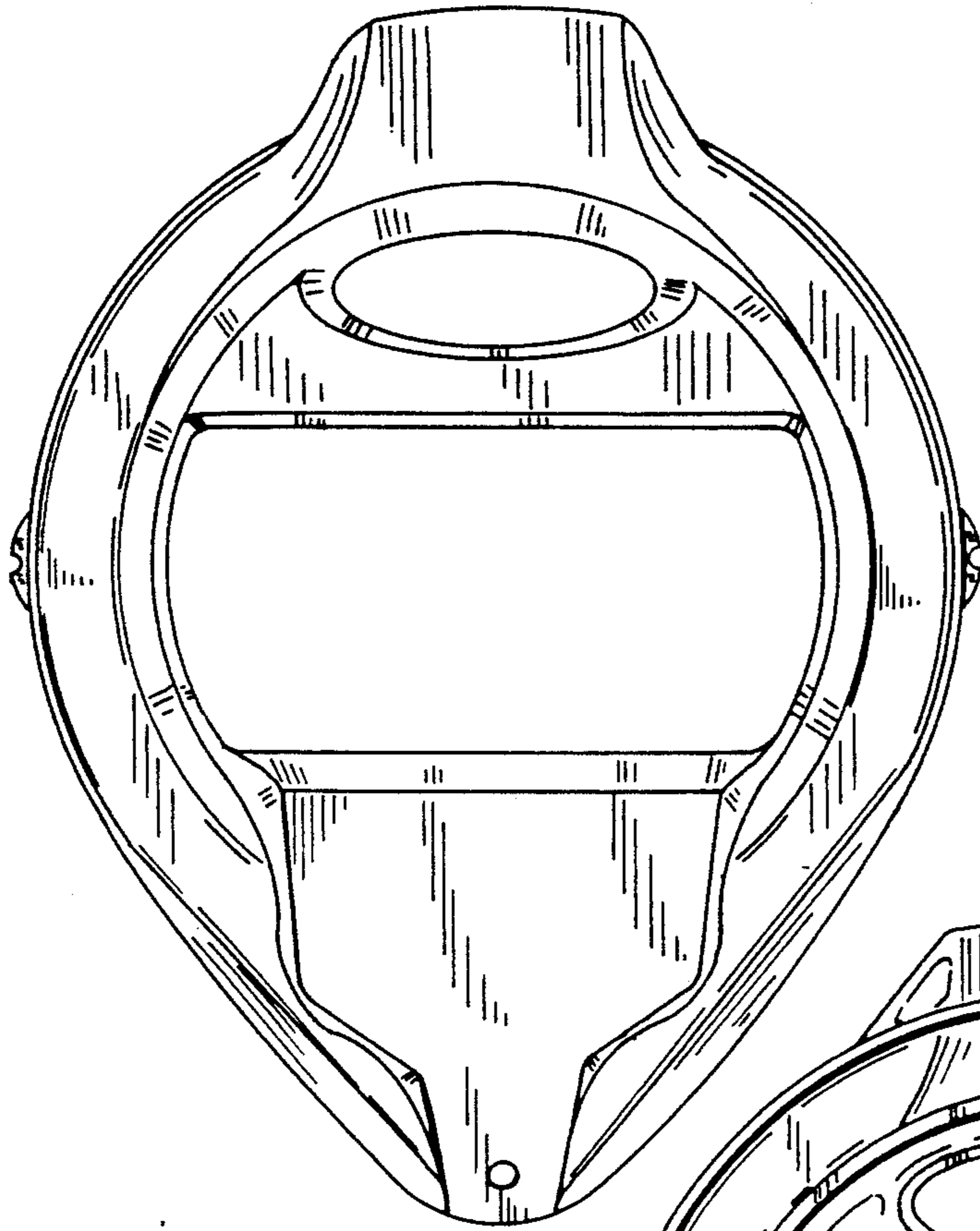


FIG. 5

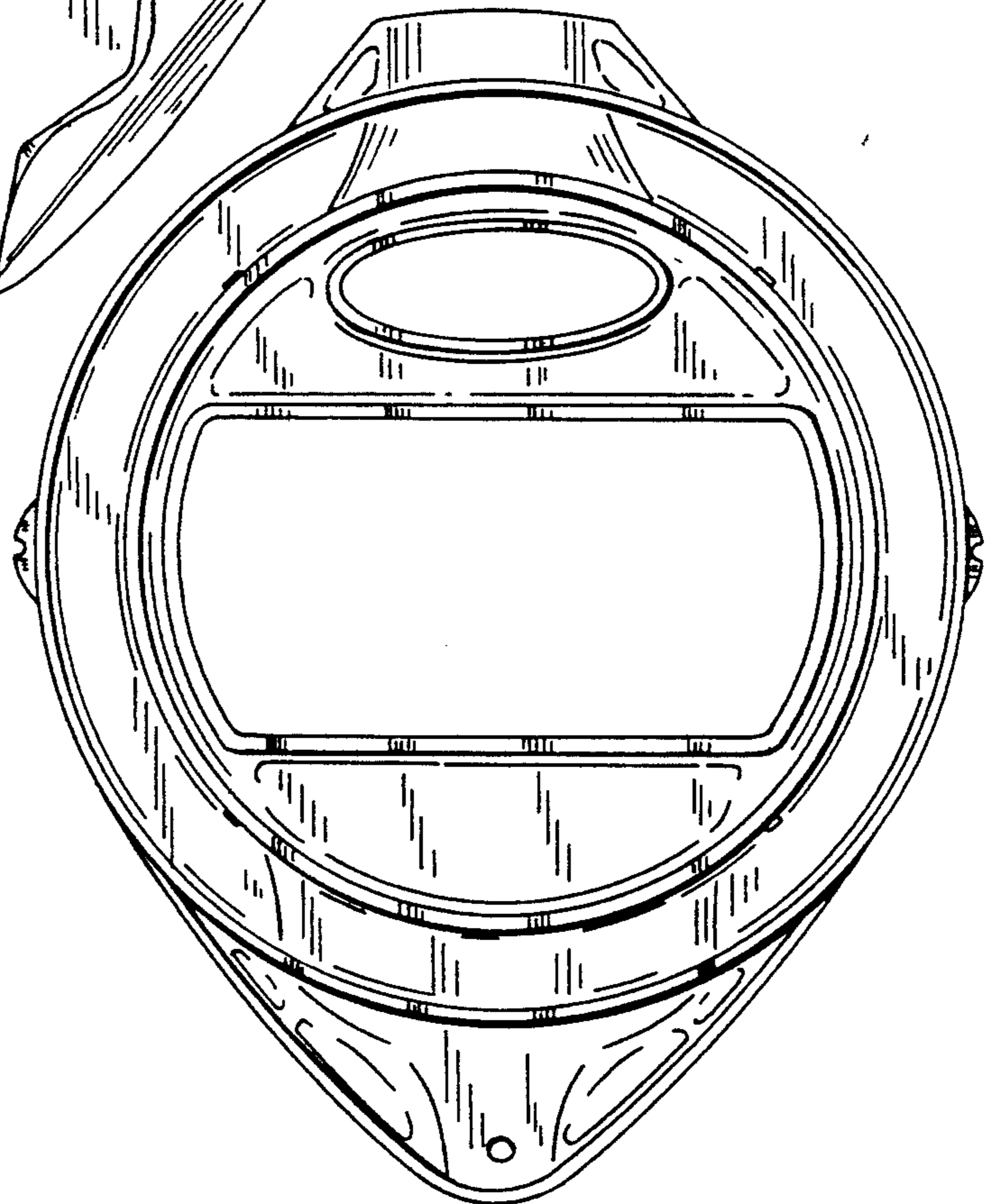


FIG. 6