



US00D345830S

United States Patent [19]

Furcron et al.

[11] Patent Number: **Des. 345,830**

[45] Date of Patent: **** Apr. 5, 1994**

[54] **CLEANING DEVICE**

[75] Inventors: **Kent J. Furcron; Gary A. Miller**, both of Bristol, Va.; **Ricky A. Owens**, Bristol, Tenn.; **John W. Walch**, Abingdon, Va.; **Mark D. Dziarsk**, Simsbury, Conn.

[73] Assignee: **TRC Acquisition Corporation**, Atlanta, Ga.

[**] Term: **14 Years**

[21] Appl. No.: **729,814**

[22] Filed: **Jul. 15, 1991**

[52] U.S. Cl. **D32/22**

[58] Field of Search 15/320, 321, 322, 323-326, 15/327.1, 335, 339, 350-351, 354-355, 358; 377/378, 412, 415 R, 361; D32/21-22, 32-34

[56] **References Cited**

U.S. PATENT DOCUMENTS

- D. 287,894 1/1987 Watkins et al. D32/22
- D. 288,016 1/1987 Watkins et al. D32/22

- D. 293,729 1/1988 Soeffker et al. D32/22
- 4,558,484 12/1985 Groth 15/320
- 4,559,665 12/1985 Fitzwater 15/339
- 4,566,149 1/1986 Fitzwater 15/320
- 4,709,442 12/1987 Sletten, II 15/320

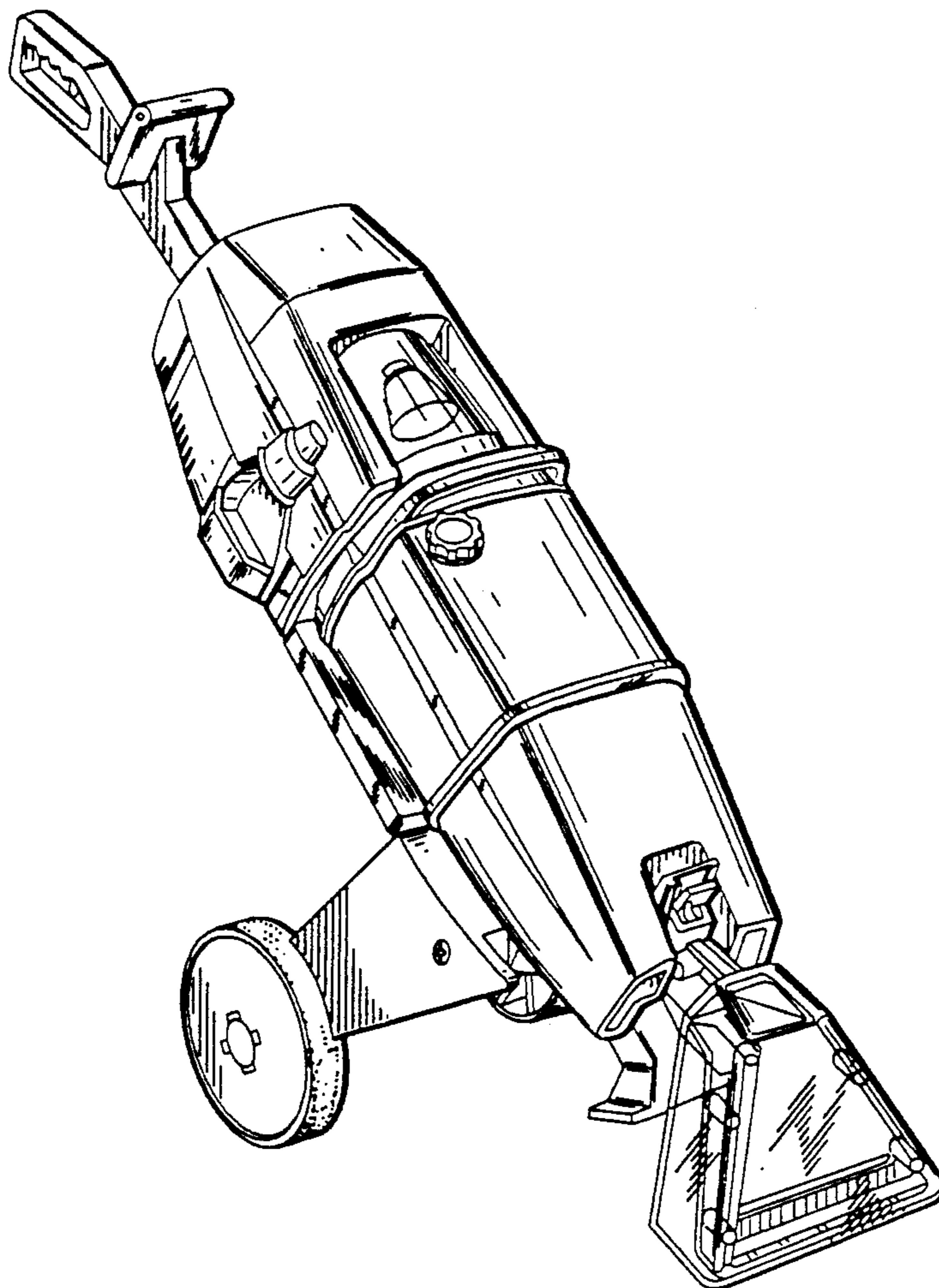
Primary Examiner—Ruth McInroy
Attorney, Agent, or Firm—Jones & Askew

[57] **CLAIM**

The ornamental design for a cleaning device, as shown and described.

DESCRIPTION

FIG. 1 is a front, left, top perspective view of a cleaning device showing our new design; FIG. 2 is a left side elevational view thereof; FIG. 3 is a right side elevational view thereof; FIG. 4 is a front elevational view thereof; FIG. 5 is a bottom plan view thereof; FIG. 6 is a top plan view thereof; FIG. 7 is a rear elevational view thereof; and, FIG. 8 is a front, left, top perspective view thereof, the cleaning bottle shown in broken lines is for illustrative purposes only and forms no part of the claimed design.



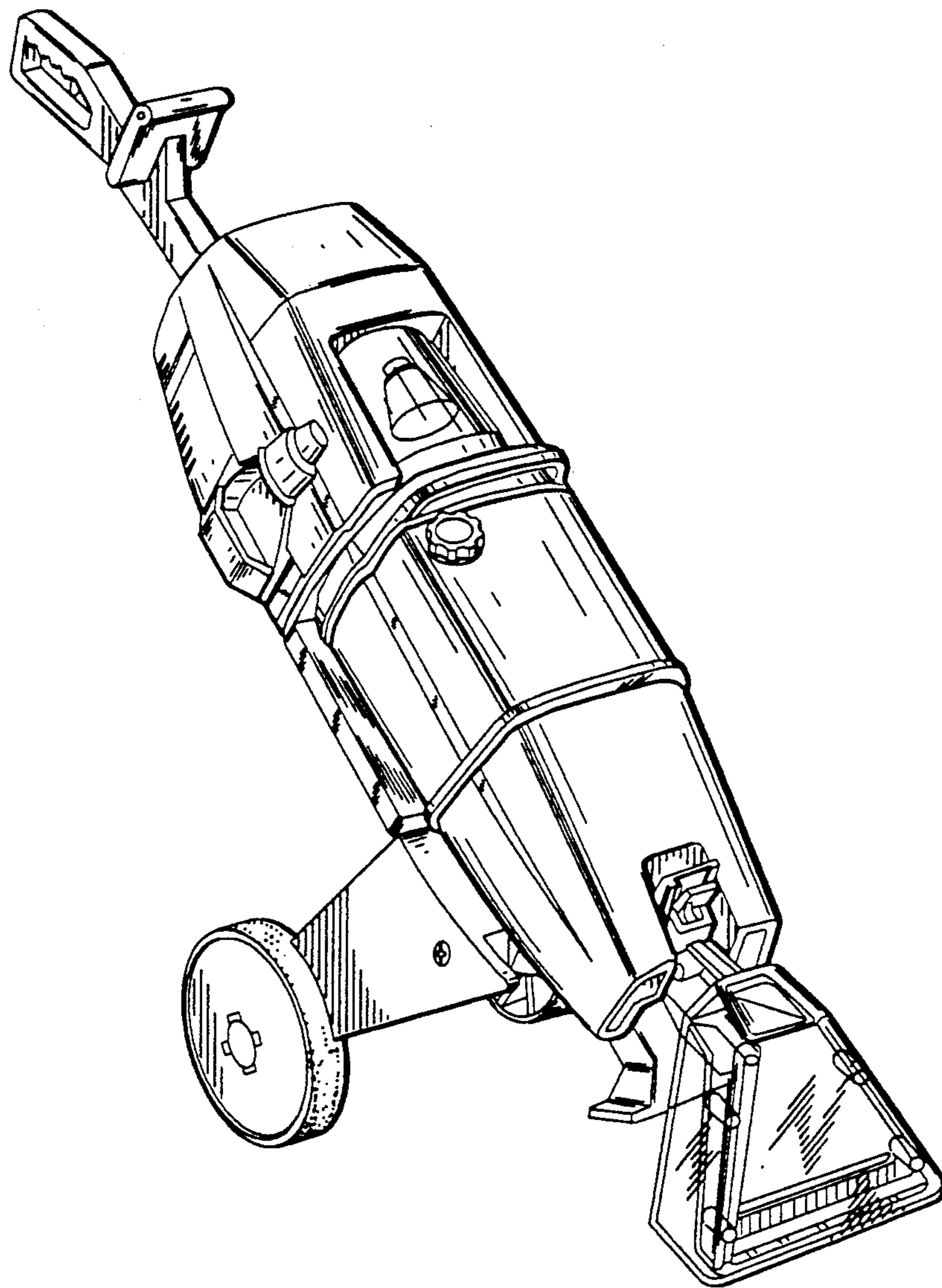


FIG 1

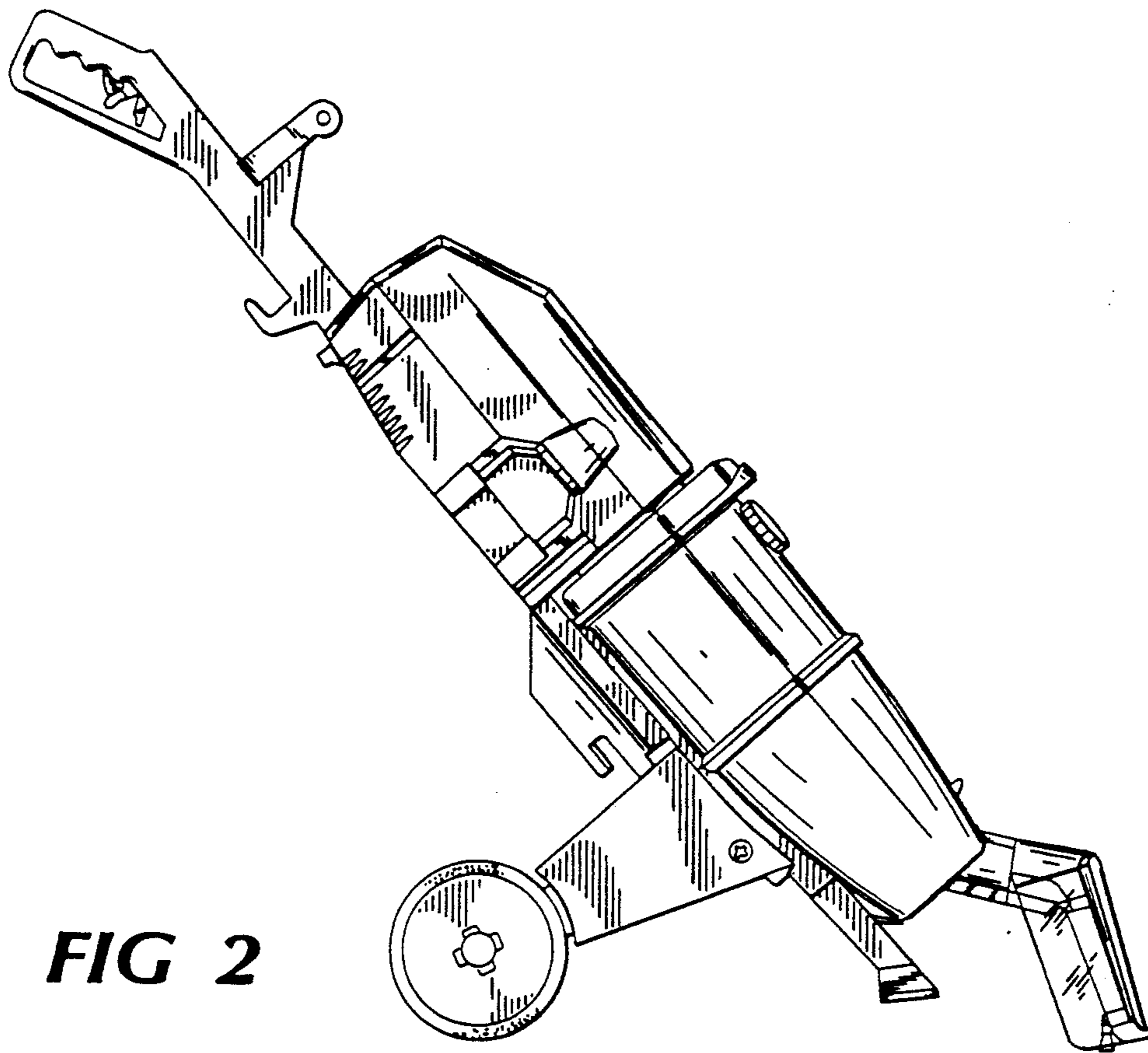


FIG 2

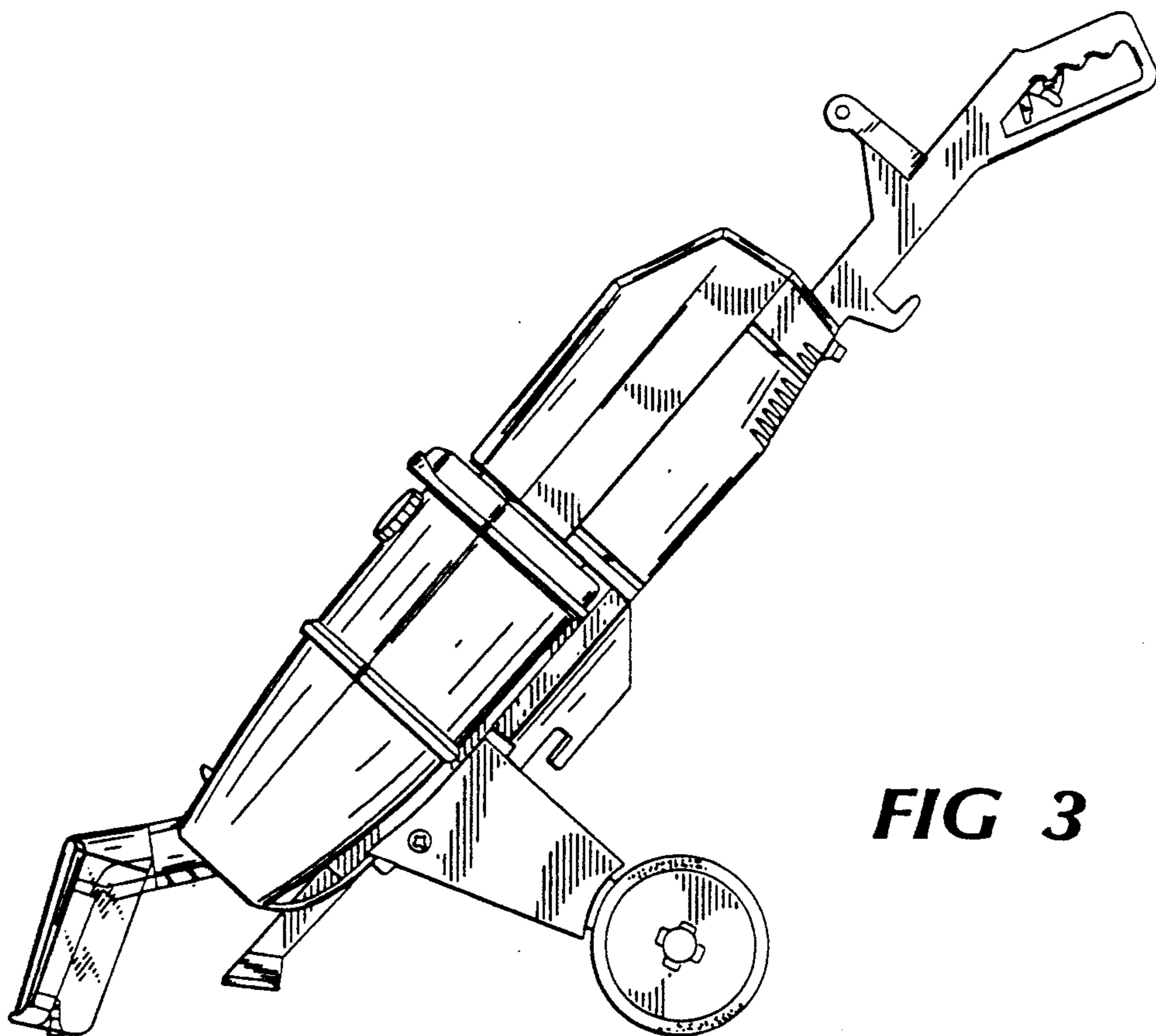


FIG 3

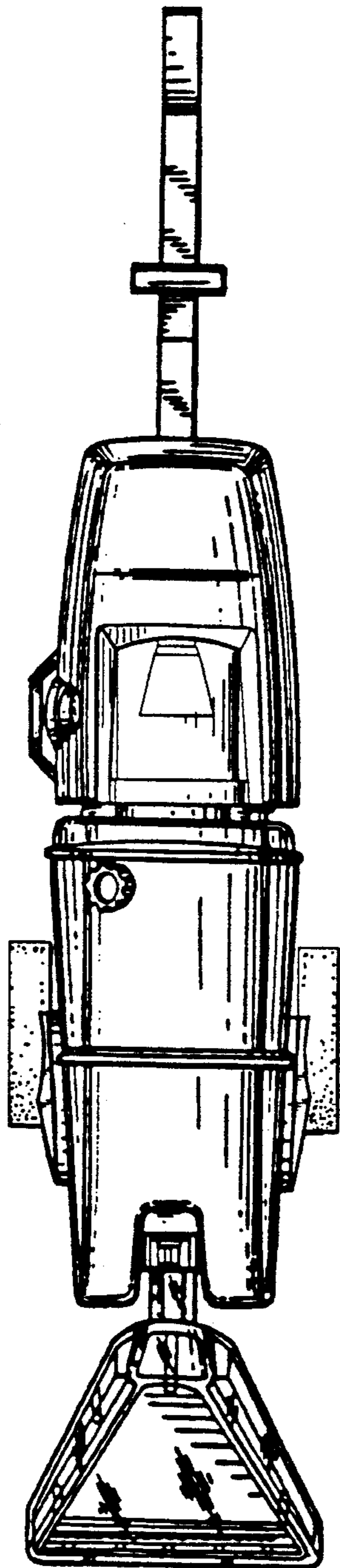


FIG 4

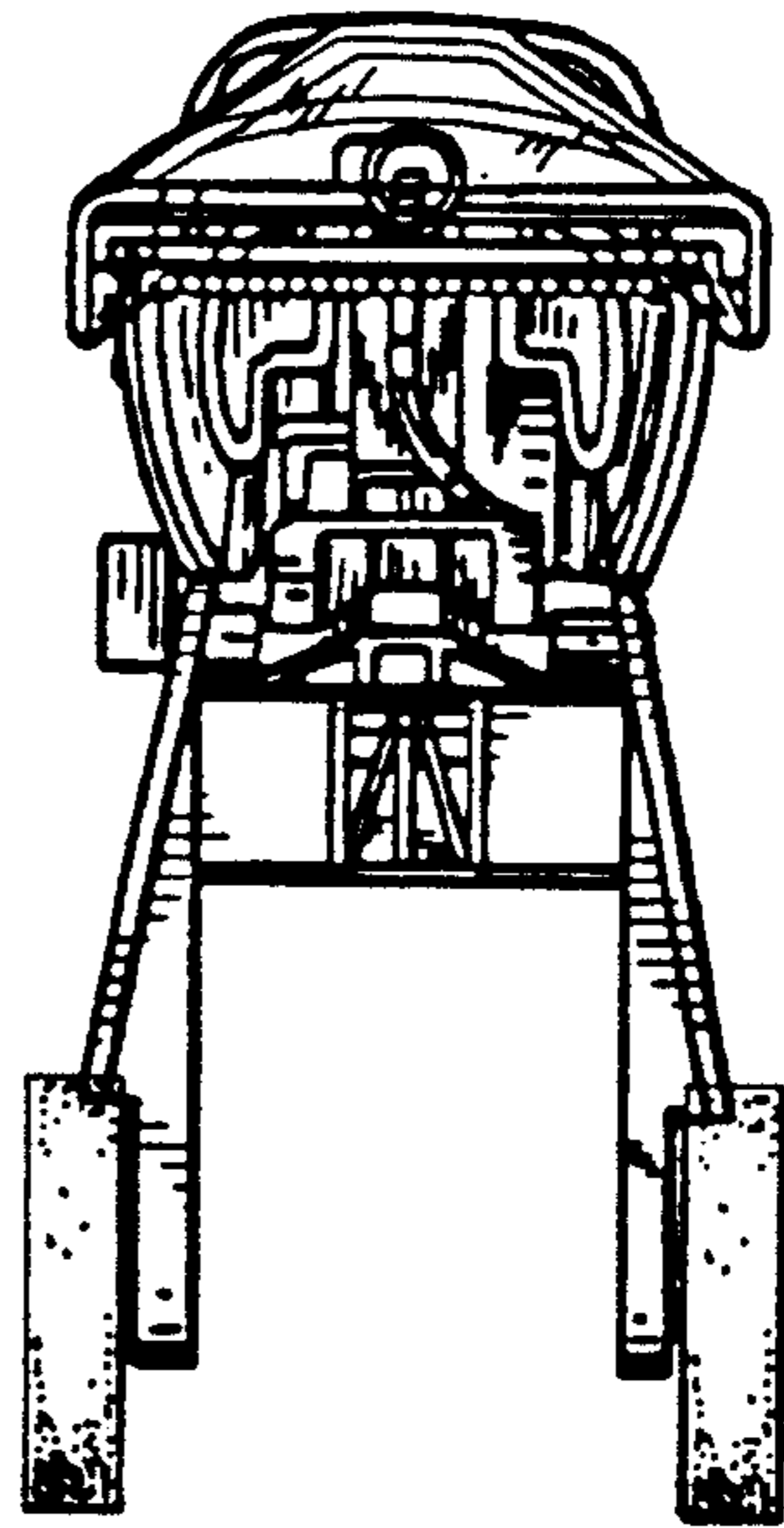


FIG 5

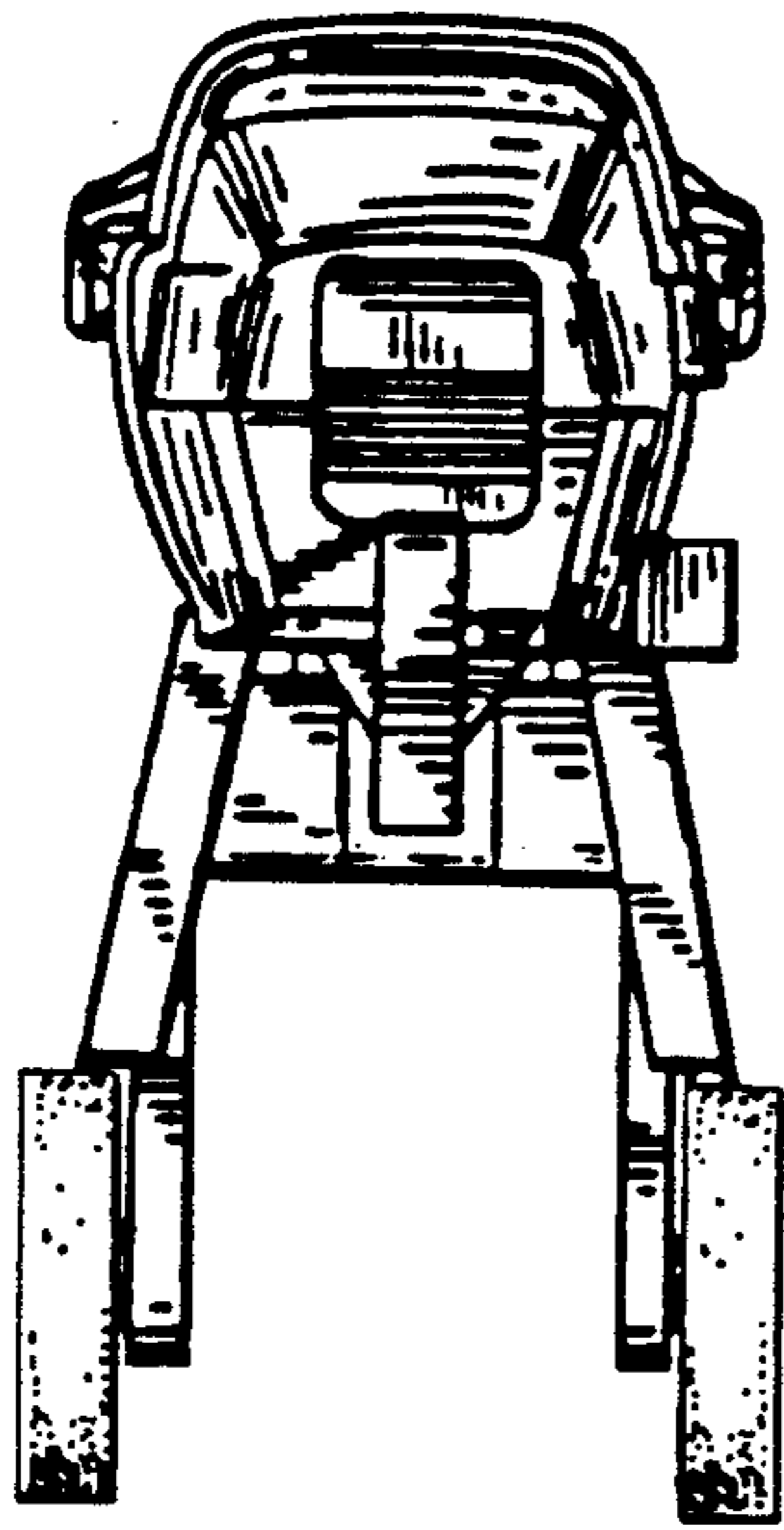


FIG 6

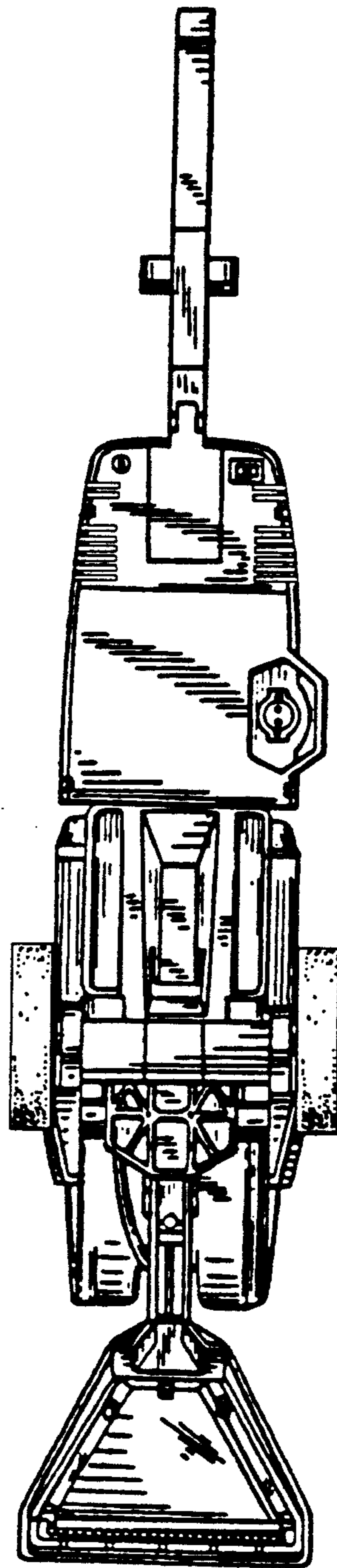


FIG 7

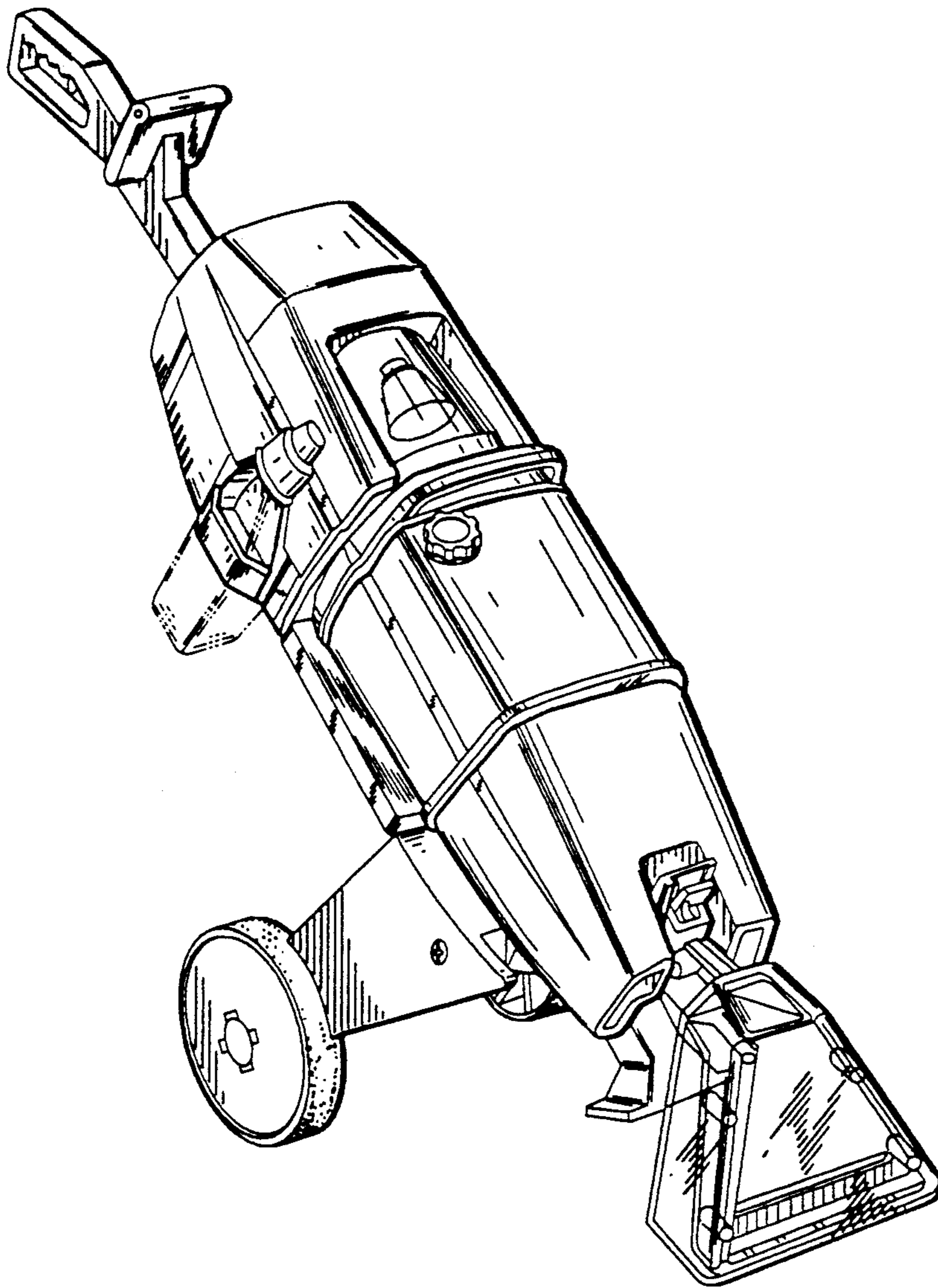


FIG 8